



US00D951915S

(12) **United States Design Patent** (10) **Patent No.:** **US D951,915 S**
Yoneta et al. (45) **Date of Patent:** **** May 17, 2022**

(54) **REMOTE CONTROL BOX FOR SHIPS**

FOREIGN PATENT DOCUMENTS

(71) Applicant: **HONDA MOTOR CO., LTD.**, Tokyo (JP)

JP D1672092 * 11/2020

(72) Inventors: **Kosuke Yoneta**, Wako (JP); **Kazuto Oya**, Wako (JP)

OTHER PUBLICATIONS

(73) Assignee: **HONDA MOTOR CO., LTD.**, Tokyo (JP)

Boat Remote Control Box . . . , available in Amazon.com, date first available Nov. 24, 2020 [online], [site visited Dec. 28, 2021], Available from the internet URL: <https://www.amazon.com/Remote-Control-Single-Waterproof-Connector/dp/B08P36QPPC> (Year: 2020).*

(**) Term: **15 Years**

(Continued)

(21) Appl. No.: **29/747,635**

Primary Examiner — Daniel J Domino

(22) Filed: **Aug. 24, 2020**

Assistant Examiner — Samina Vieth

(51) **LOC (13) Cl.** **14-03**

(74) *Attorney, Agent, or Firm* — Birch, Stewart, Kolasch & Birch, LLP

(52) **U.S. Cl.**

USPC **D14/218**; D12/317

(58) **Field of Classification Search**

USPC D14/223, 206, 155, 159, 218, 230;
D13/123, 158, 162, 184, 199; D12/137

CPC B63H 21/21; B63H 21/213; B63H 21/22;
B63H 21/265

See application file for complete search history.

(57) **CLAIM**

The ornamental design for a remote control box for ships, as shown and described.

(56) **References Cited**

DESCRIPTION

U.S. PATENT DOCUMENTS

D288,300 S *	2/1987	Kang	D10/72
5,062,215 A *	11/1991	Schlitt	G01B 3/1003
				33/755
D451,041 S *	11/2001	Chen	D10/71
D496,293 S *	9/2004	Clontz	D10/72
D510,311 S *	10/2005	Rick	D12/317
D554,011 S *	10/2007	Levick	D10/72
D568,904 S *	5/2008	Osumi	D15/4
D663,252 S *	7/2012	Bondesson	D12/317
D710,781 S *	8/2014	Park	D12/317
D797,681 S *	9/2017	Dammkoehler	D13/162
D834,492 S *	11/2018	Uchiyama	D12/317
D834,493 S	11/2018	Uchiyama et al.		
D859,188 S *	9/2019	Anderson	D10/72
D888,646 S *	6/2020	Richards	D12/317

(Continued)

FIG. 1 is a front and right perspective view of a remote control box for ships.

FIG. 2 is a rear and right perspective view thereof.

FIG. 3 is a front and left perspective view thereof.

FIG. 4 is a rear and left perspective view thereof.

FIG. 5 is a front elevation view thereof.

FIG. 6 is a rear elevation view thereof.

FIG. 7 is a right side elevation view thereof.

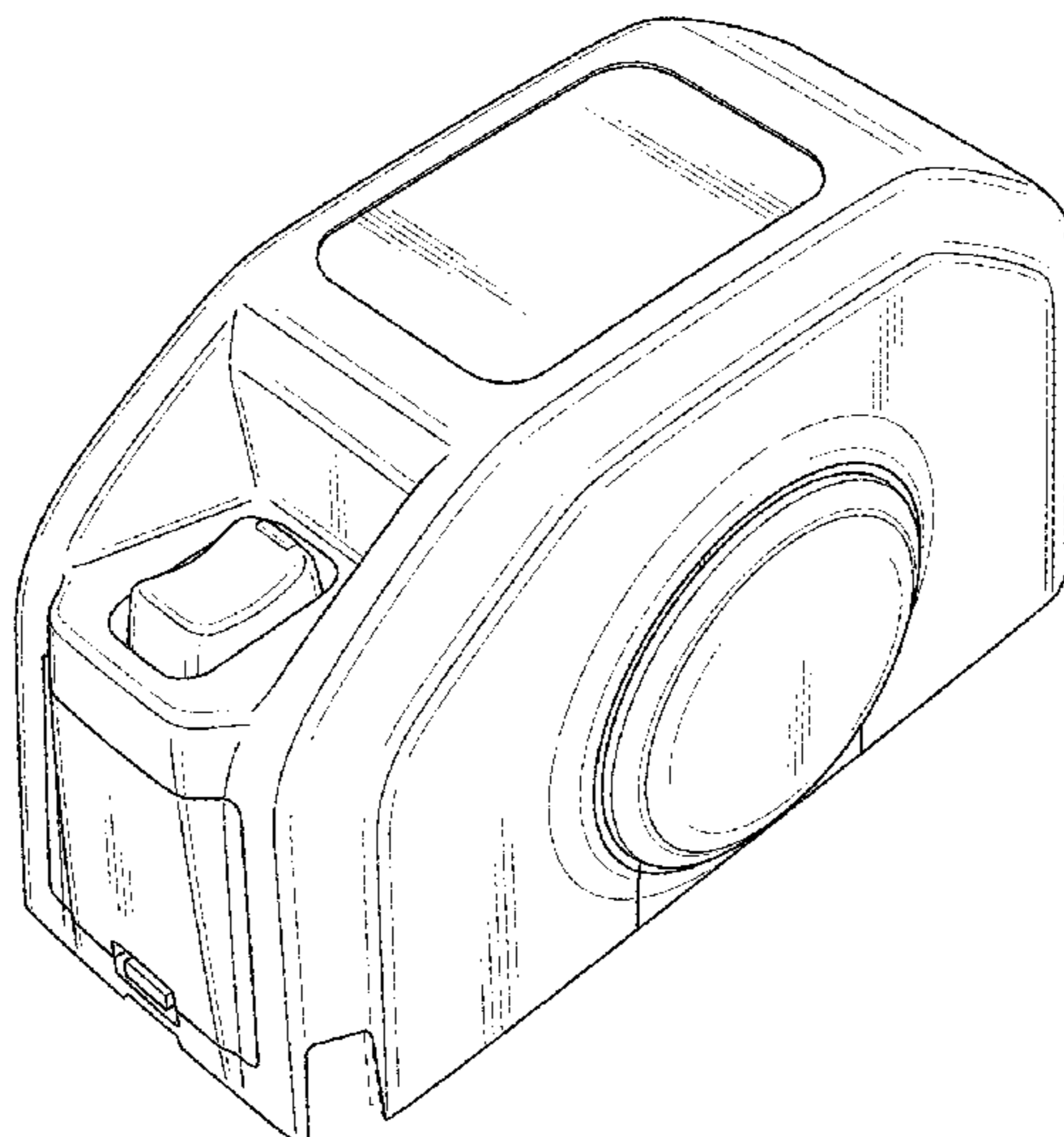
FIG. 8 is a left side elevation view thereof.

FIG. 9 is a top plan view thereof; and,

FIG. 10 is a perspective view thereof, shown in an environment of use.

In the drawings, the broken lines depict environmental subject matter only and form no part of the claimed design.

1 Claim, 10 Drawing Sheets



(56)

References Cited

U.S. PATENT DOCUMENTS

D917,320 S * 4/2021 Shao D10/72
 D924,175 S * 7/2021 Berkman D13/158
 D938,888 S * 12/2021 Richards D12/317
 2007/0250222 A1 * 10/2007 Okuyama B63H 21/213
 701/2

OTHER PUBLICATIONS

Yamaha-704 Premium Single . . . , available in Partsvu.com, oldest review date Aug. 13, 2020 [online], [site visited Dec. 28, 2021], Available from the internet URL: https://www.partsvu.com/yamaha-704-premium-single-engine-outboard-throttle-control-box-704-48205-r0-00-supersedes-704-48205-p1-00.html?utm_source=g (Year: 2020).*

Morphorn Twin/Dual Engine . . . , available in Amazon.com, date first available Aug. 23, 2020 [online], [site visited Dec. 28, 2021], Available from the internet URL: https://www.amazon.com/dp/B07NPPSQ61/ref=cm_sw_em_r_mt_dp_d1_NWACY3NKDBEQF3Y1G18F (Year: 2020).*

Outboard Remote Control Box . . . , available in ebay.com, date first available Aug. 3, 2021 [online], [site visited Dec. 28, 2021], (Year: 2021) Available from the internet URL: https://www.ebay.com/itm/264743784228?epid=28038354191&_trkparms=ispr%3D1&hash=item3da3f58f24:g:dHwAAOSwV~xhijNz&amdata=enc%3AAQAGAAACsPYe5NmHp%252 (Year: 2021).*

CH7600 Series Top Mount . . . , available in wholesalemachine.com, oldest customer review Aug. 19, 2017[online], [site visited Dec. 28, 2021], Available from the internet URL: <https://www.wholesalemachine.com/ch7600-series-top-mount-control-with-lever-on-left.html?gclid=EAIaIQobChMlvMjmcGY9QIViM3ICh0NeQDtE> (Year: 2017).*

* cited by examiner

FIG. 1

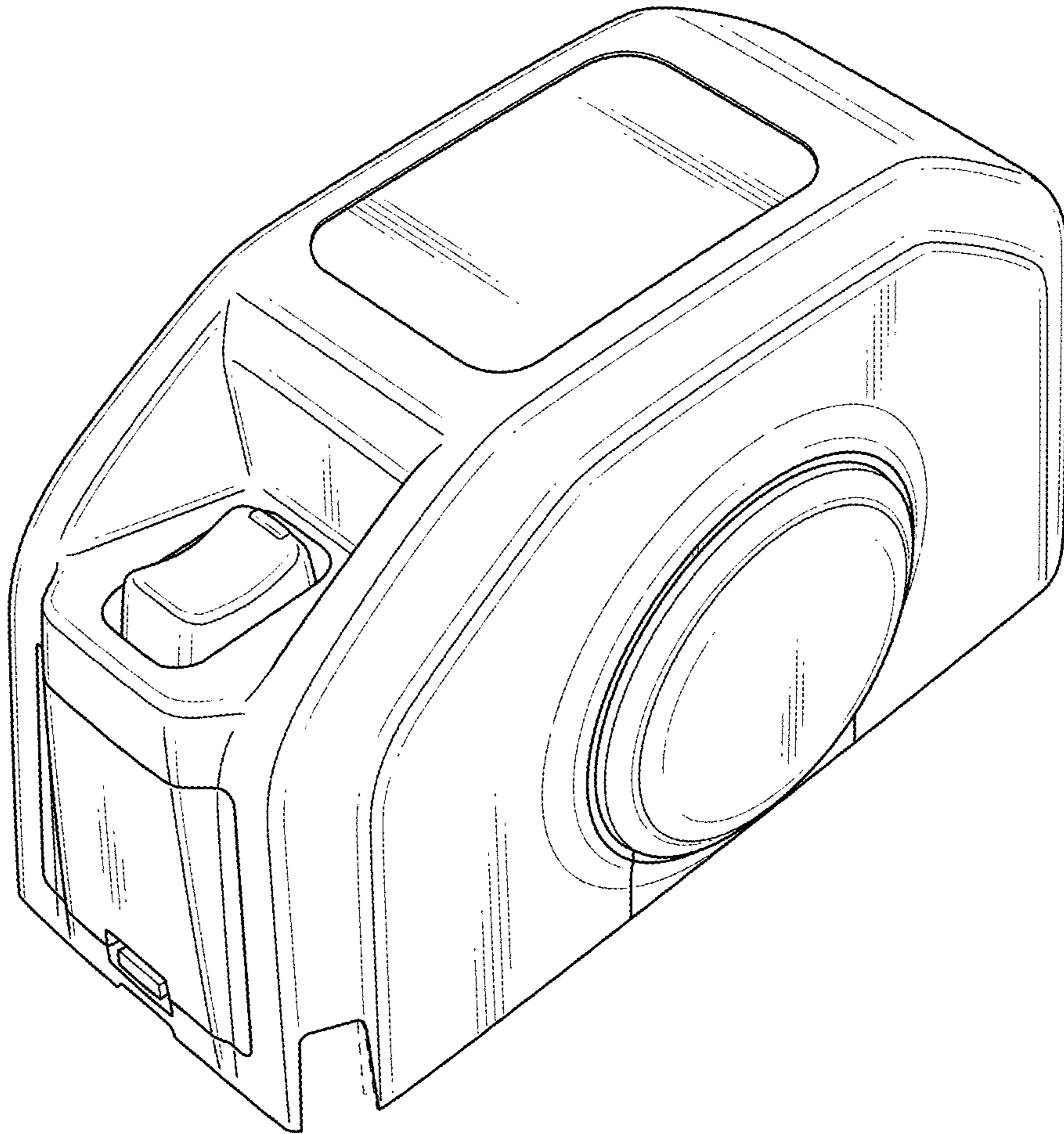


FIG. 2

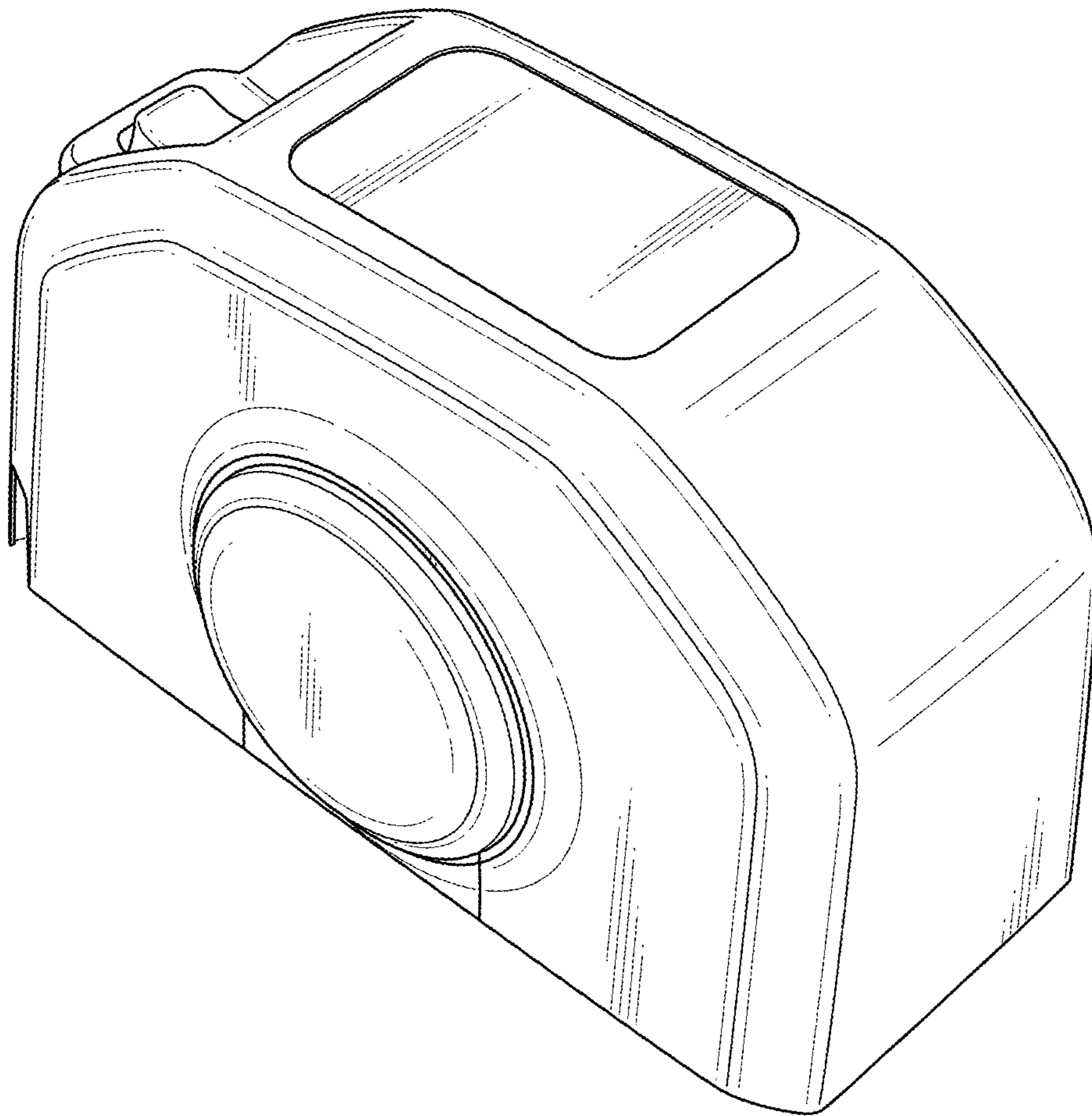


FIG. 3

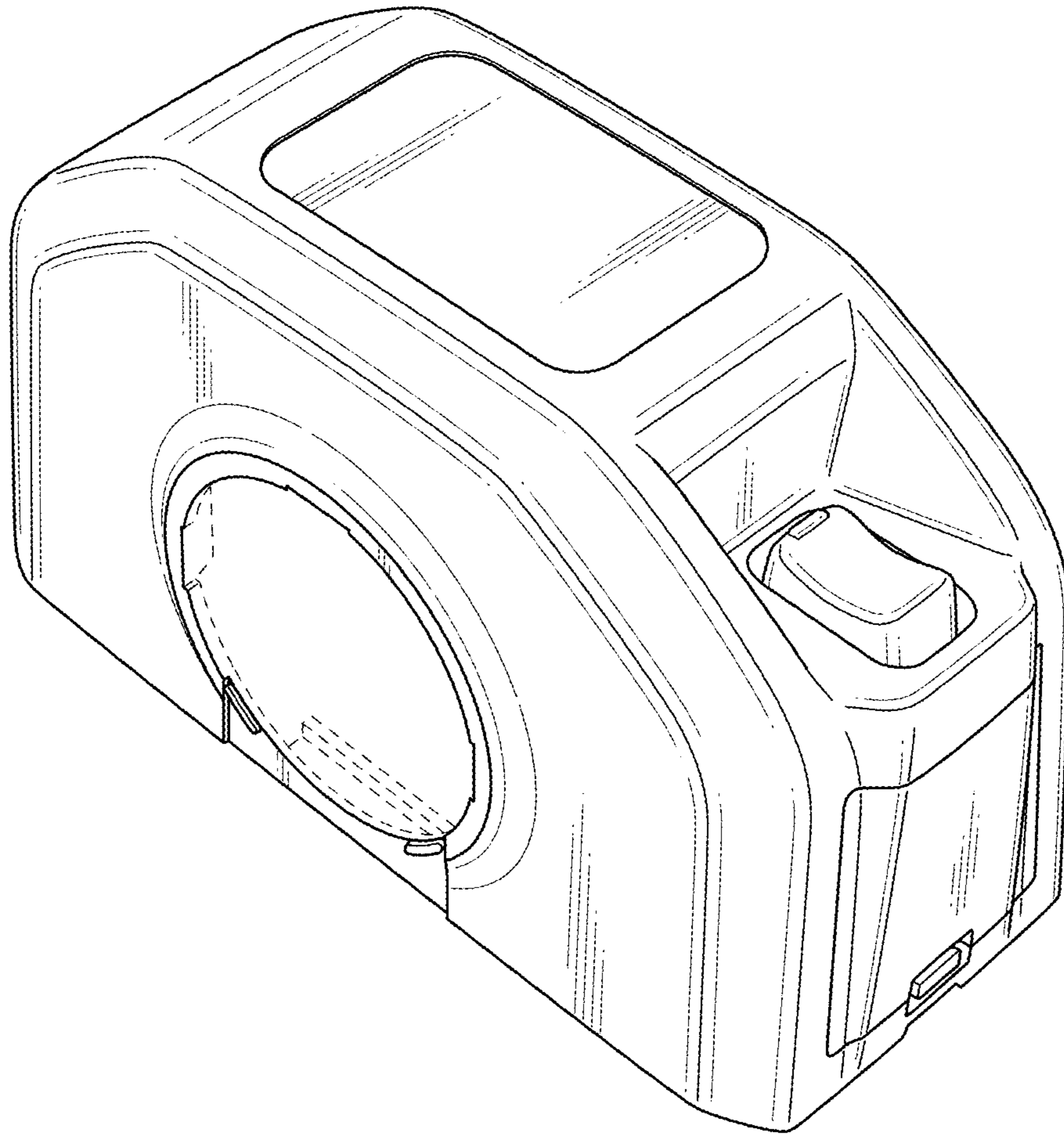


FIG. 4

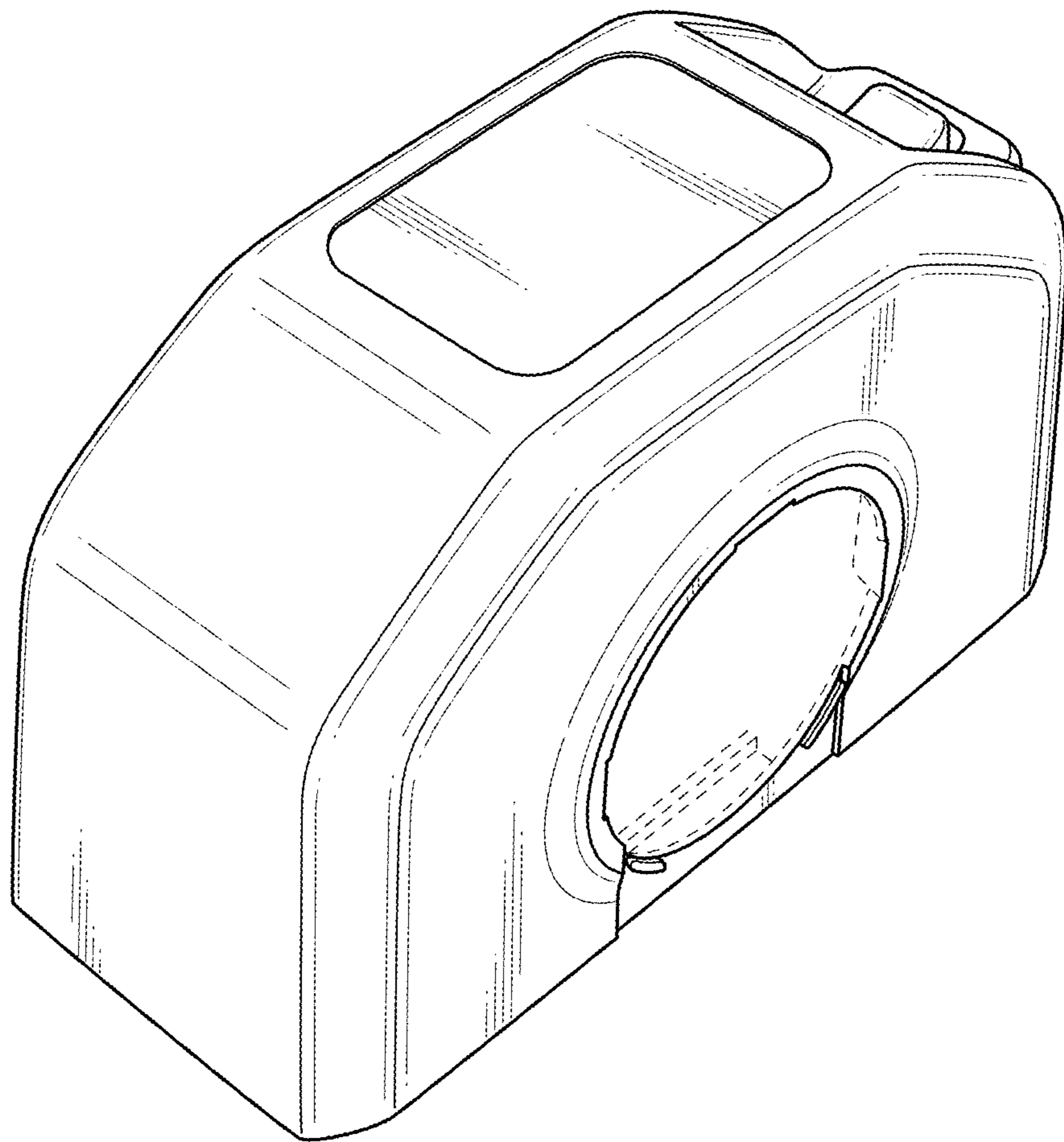


FIG. 5

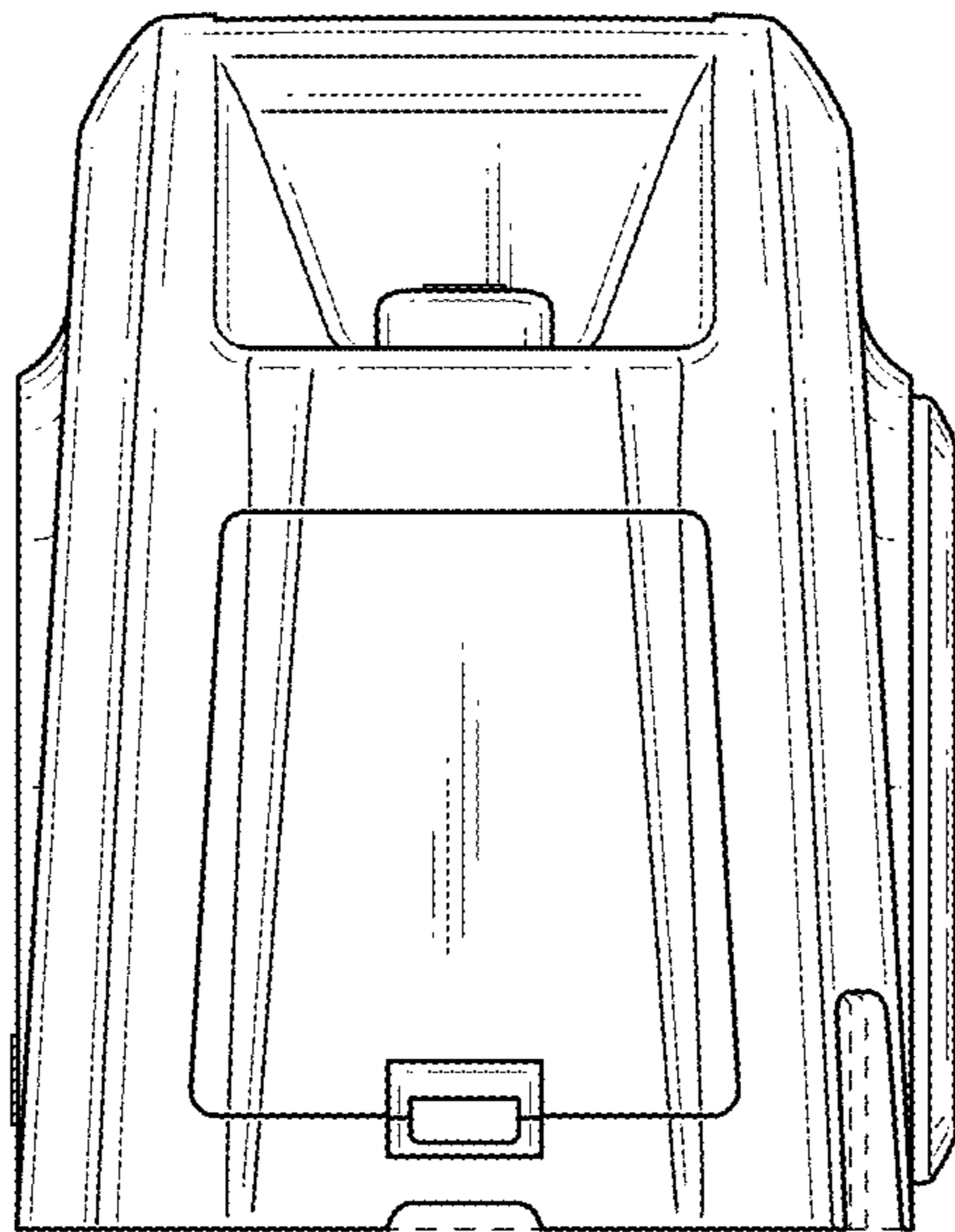


FIG. 6

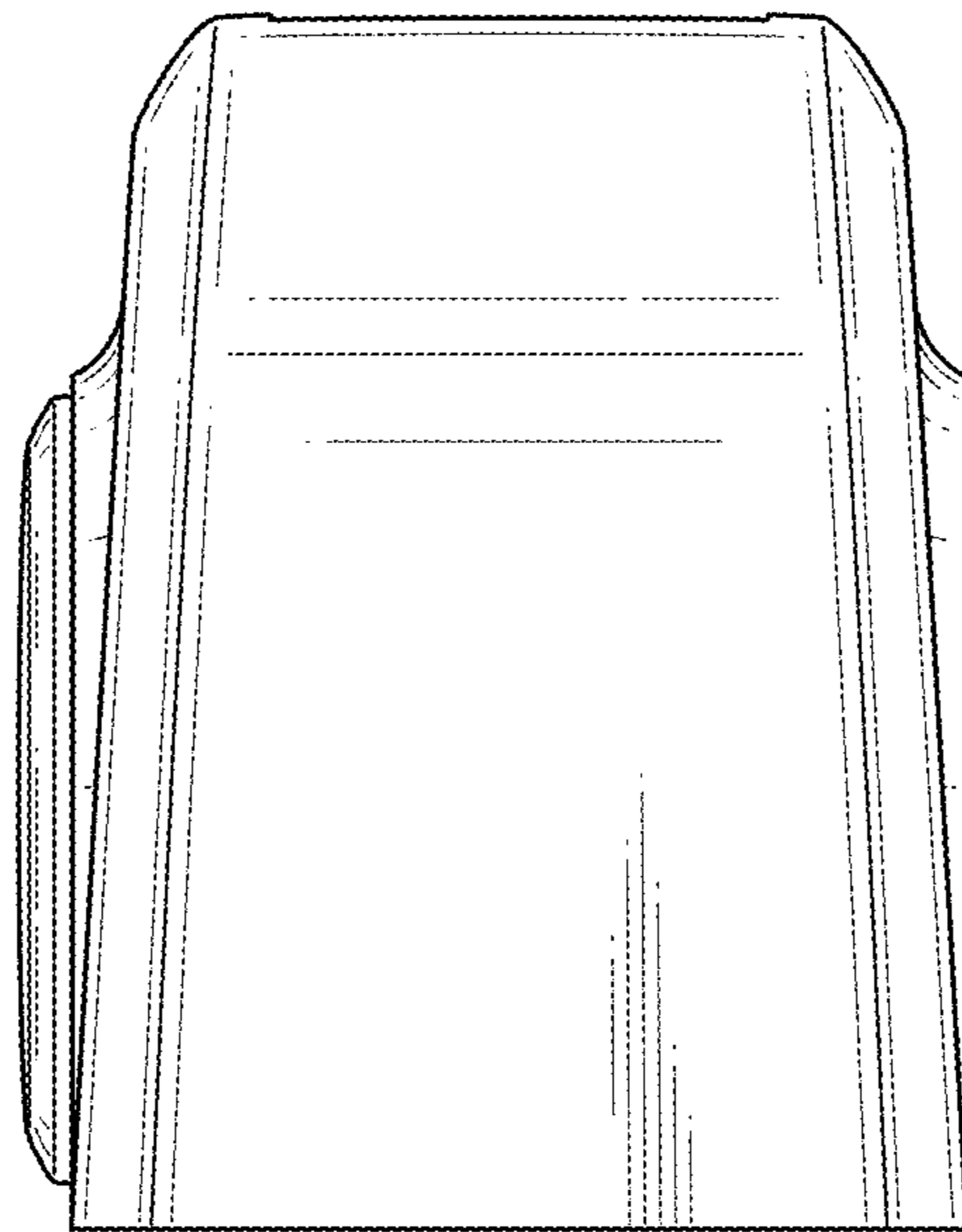


FIG. 7

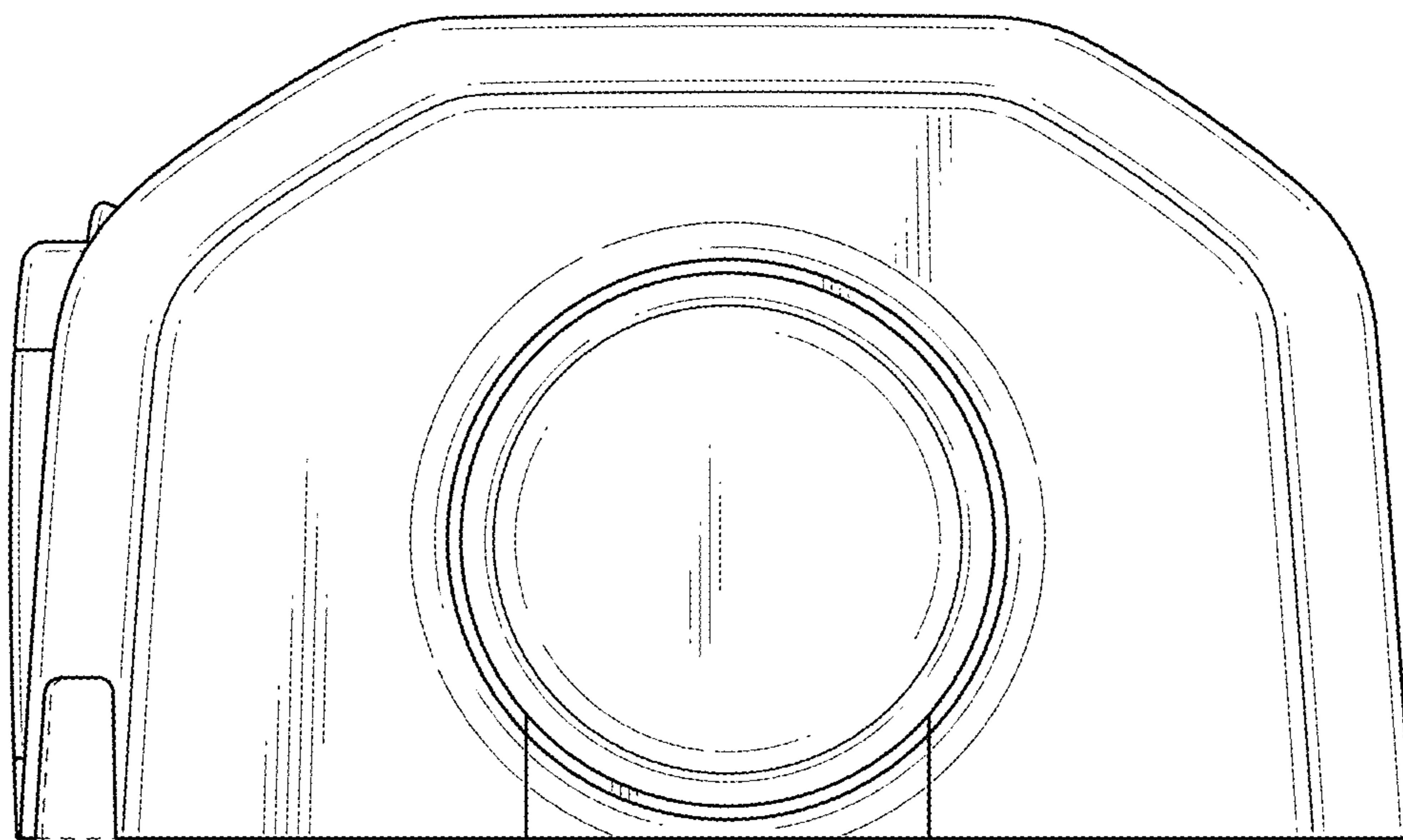


FIG. 8

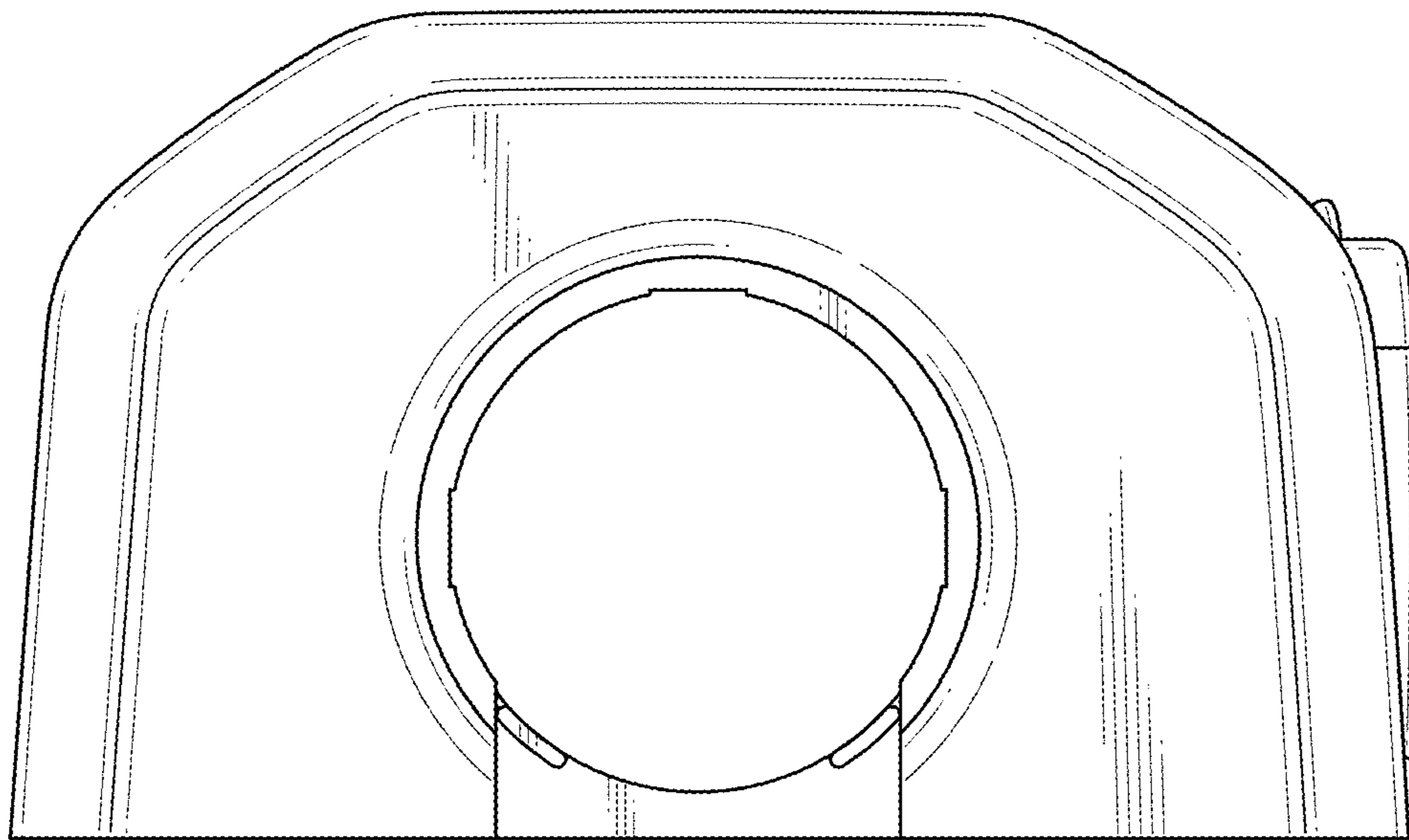


FIG. 9

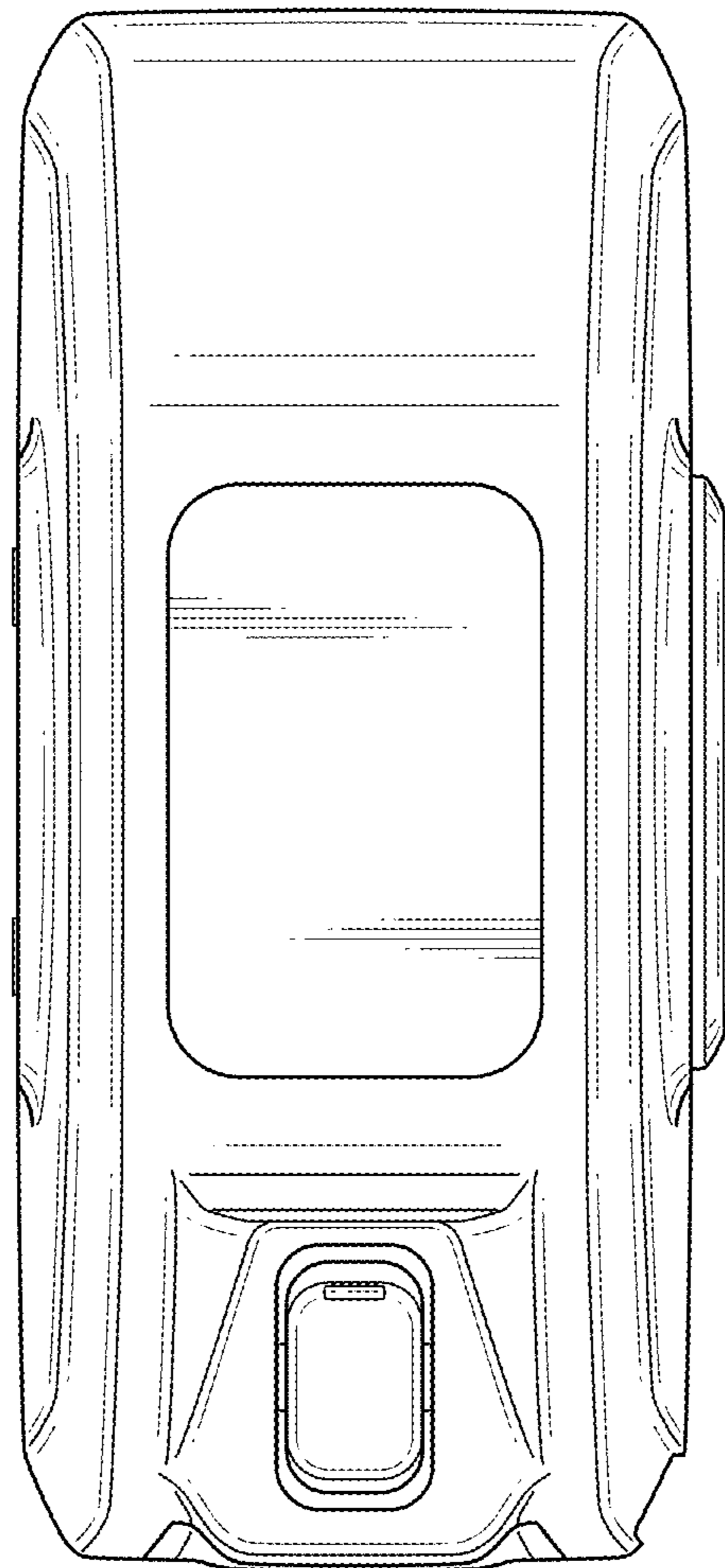


FIG. 10

