



US00D951914S

(12) **United States Design Patent**  
**Wan**

(10) **Patent No.:** **US D951,914 S**

(45) **Date of Patent:** **\*\* May 17, 2022**

(54) **SOUND CARD CONTROLLER**

FOREIGN PATENT DOCUMENTS

(71) Applicant: **Shenzhen Maono Technology Co., LTD**, Guangdong (CN)

CN 306721769 \* 7/2021  
CN 306738337 \* 8/2021  
CN 306992059 \* 12/2021

(72) Inventor: **Liang Wan**, Hanzhong (CN)

(73) Assignee: **Shenzhen Maono Technology Co., LTD**, Guangdong (CN)

OTHER PUBLICATIONS

(\*\*) Term: **15 Years**

Maonocaster Lite, first available Nov. 17, 2020 [online], [retrieved Feb. 11, 2022]. Available from the Internet, URL:<https://www.amazon.com/dp/B08NPCY5P3/ref=cm\_sw\_em\_r\_mt\_dp\_EP1NS8A60J8FQSIJZ19QJ?\_encoding=UTF8&psc=1>. (Year: 2020).\*

(21) Appl. No.: **29/746,001**

(Continued)

(22) Filed: **Aug. 11, 2020**

*Primary Examiner* — Dana K Weiland

(51) **LOC (13) Cl.** ..... **14-01**

*Assistant Examiner* — Russell Carnell Smith, Jr.

(52) **U.S. Cl.**  
USPC ..... **D14/217**

(74) *Attorney, Agent, or Firm* — ScienBiziP, P.C.

(58) **Field of Classification Search**  
USPC ..... D14/217, 239, 388; D13/164, 163, 162,  
D13/173, 168, 174, 177, 184, 199;  
D21/324, 669, 828

(57) **CLAIM**

CPC .. H04S 3/008; H04R 3/12; H04R 5/04; H04R  
2420/07; G06F 3/167

The ornamental design for a sound card controller, as shown and described.

See application file for complete search history.

**DESCRIPTION**

(56) **References Cited**

FIG. 1 is a front perspective view of a sound card controller, showing my design.

U.S. PATENT DOCUMENTS

FIG. 2 is a rear perspective view thereof.

D297,635 S \* 9/1988 Ellermeier ..... D14/154  
D325,204 S \* 4/1992 Ito ..... D14/162  
D433,673 S \* 11/2000 Ito ..... D14/217  
D444,460 S \* 7/2001 Kitazawa ..... D17/99  
D493,162 S \* 7/2004 Amiya ..... D14/217  
D551,211 S \* 9/2007 Keech ..... D14/217  
D592,696 S \* 5/2009 Gooday ..... D17/20  
D605,604 S \* 12/2009 El-Kiss ..... D13/163  
D615,993 S \* 5/2010 Ho ..... D14/203.1  
D663,352 S \* 7/2012 Park ..... D17/22  
D687,019 S \* 7/2013 O'Donnell ..... D14/217  
D715,771 S \* 10/2014 Funayama ..... D14/217  
D721,675 S \* 1/2015 Hong ..... D14/217  
D765,058 S \* 8/2016 Matsubayashi ..... D14/217

FIG. 3 is a front elevation view thereof.

FIG. 4 is a rear elevation view thereof.

FIG. 5 is a left side elevation view thereof.

FIG. 6 is a right side elevation view thereof.

FIG. 7 is a top plan view thereof.

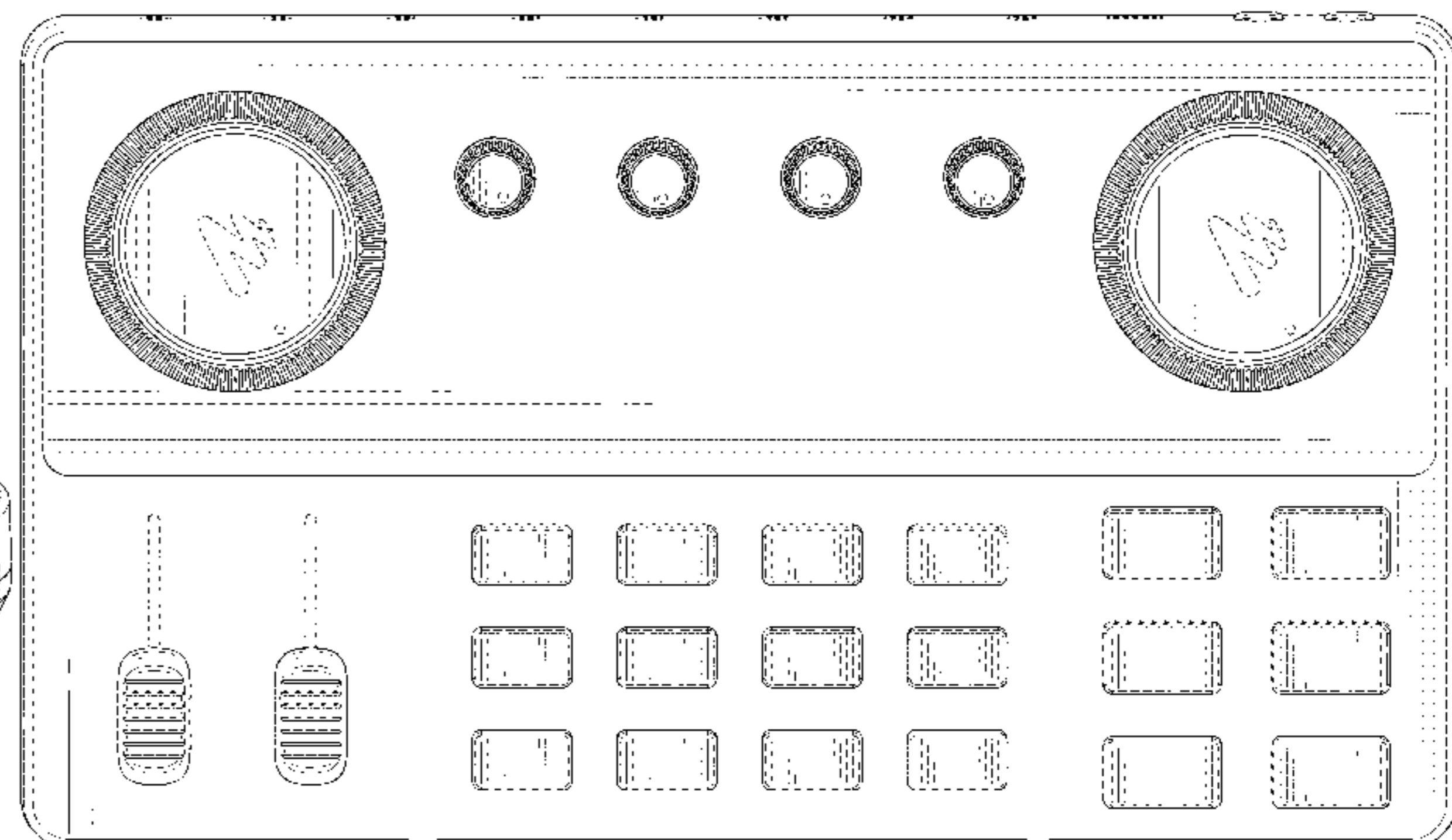
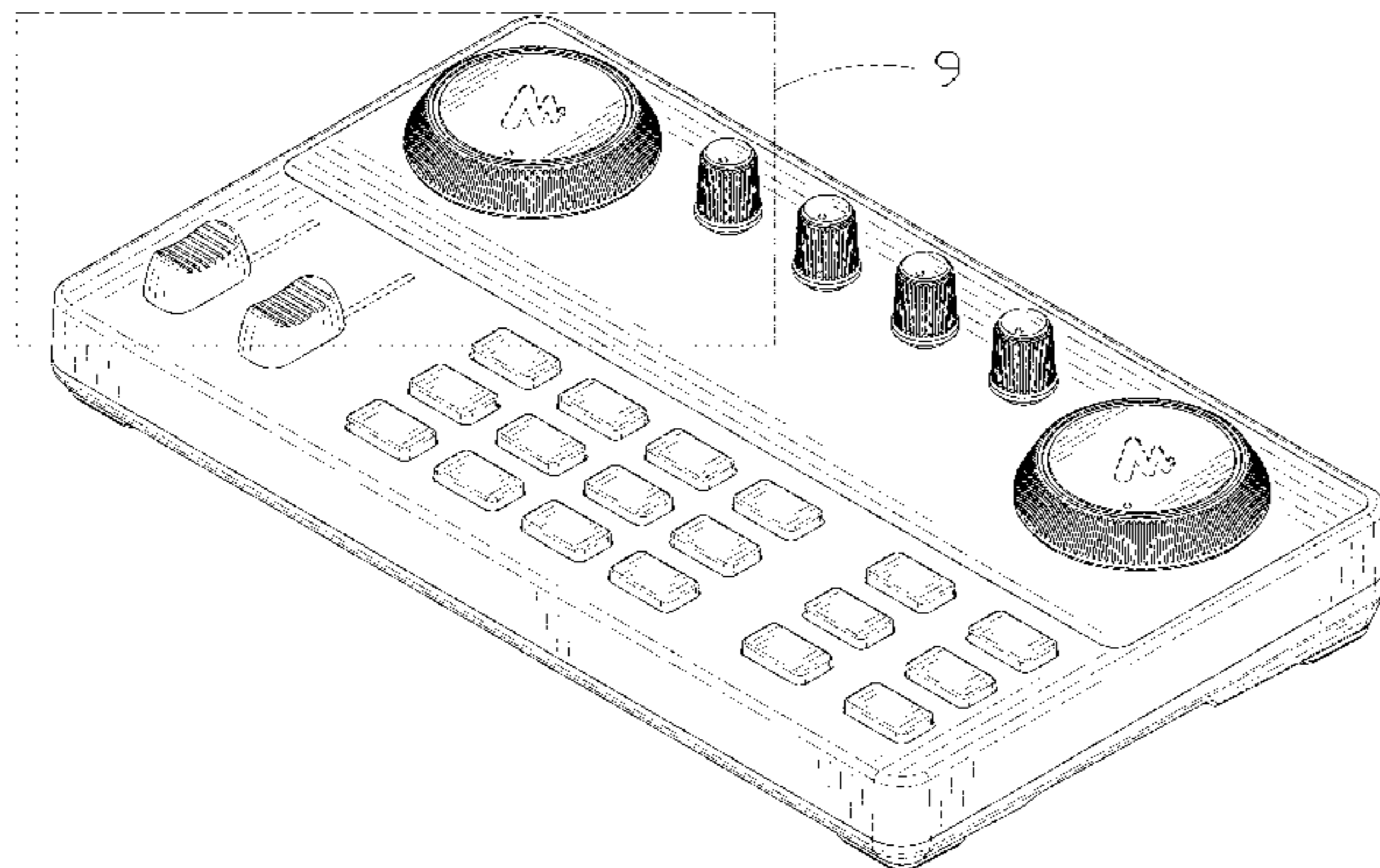
FIG. 8 is a bottom plan view thereof; and,

FIG. 9 is an enlarged view of an area labeled 9 in FIG. 1.

The evenly-spaced broken lines show portions of the sound card controller that form no part of the claimed design. The dot-dash broken lines containing portions of the sound card controller in FIG. 1 and illustrated in an enlarged view in FIG. 9 form no part of the claimed design.

(Continued)

**1 Claim, 9 Drawing Sheets**



(56)

**References Cited**

U.S. PATENT DOCUMENTS

D771,594 S	*	11/2016	Hong	.....	D14/217
D778,263 S	*	2/2017	Martel	.....	D14/217
D803,814 S	*	11/2017	Harms	.....	D14/217
D828,334 S	*	9/2018	Kobayashi	.....	D14/217
D840,466 S	*	2/2019	Kitamura	.....	D17/99
D846,528 S	*	4/2019	Kuramoto	.....	D14/217
D872,056 S	*	1/2020	Akaishi	.....	D14/217
D872,057 S	*	1/2020	Koh	.....	D14/217
D905,013 S	*	12/2020	Kuramoto	.....	D14/217
D931,280 S	*	9/2021	Kangasmaa	.....	D14/388
2007/0280489 A1	*	12/2007	Roman	.....	H04H 60/04 381/119

OTHER PUBLICATIONS

Condenser Microphone, first available Jan. 22, 2022 [online], [retrieved Feb. 11, 2022]. Available from the Internet, URL:<[https://www.amazon.com/dp/B09NNDZDM7/ref=cm\\_sw\\_em\\_r\\_mt\\_dp\\_4YDB1HPXHHKXYPZBTJVE?\\_encoding=UTF8&psc=1](https://www.amazon.com/dp/B09NNDZDM7/ref=cm_sw_em_r_mt_dp_4YDB1HPXHHKXYPZBTJVE?_encoding=UTF8&psc=1)>. (Year: 2022).\*

Podcast Equipment, first available Aug. 21, 2021 [online], [retrieved Feb. 11, 2022]. Available from the Internet, URL:<[https://www.amazon.com/dp/B09D3NQLY8/ref=cm\\_sw\\_em\\_r\\_mt\\_dp\\_21G6PZEFKGE194AQSR3P](https://www.amazon.com/dp/B09D3NQLY8/ref=cm_sw_em_r_mt_dp_21G6PZEFKGE194AQSR3P)>. (Year: 2021).\*

\* cited by examiner



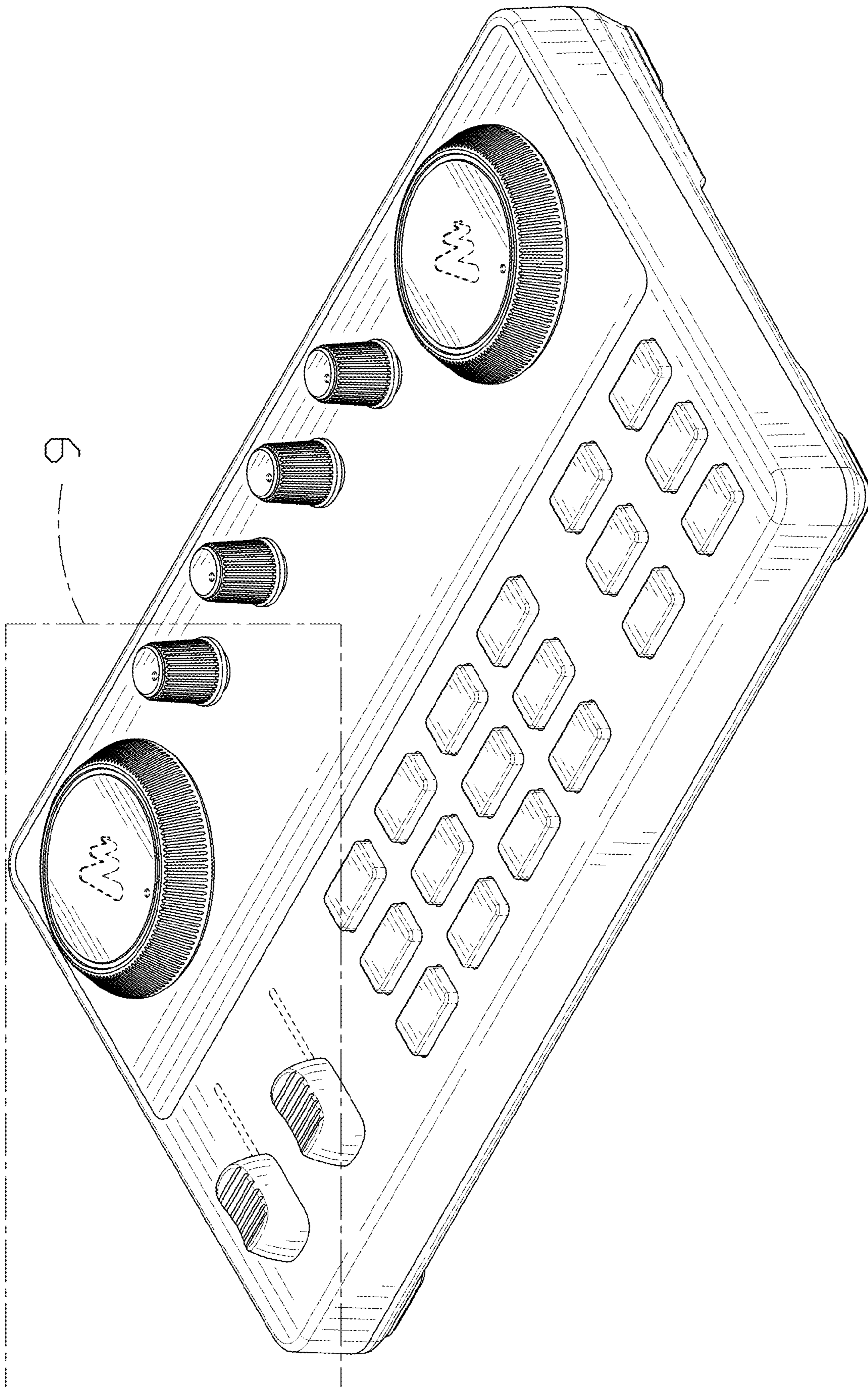


FIG. 1

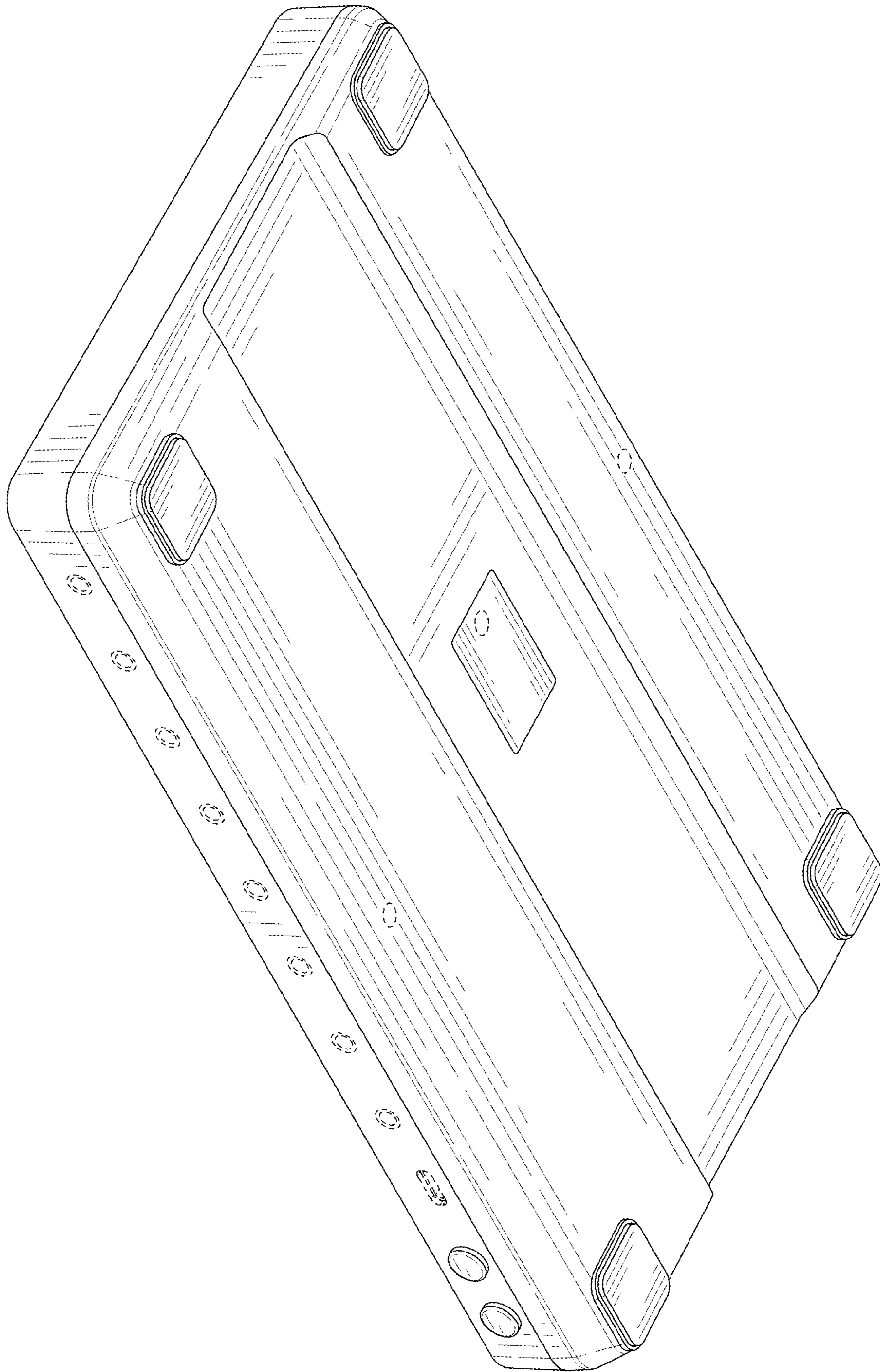


FIG. 2



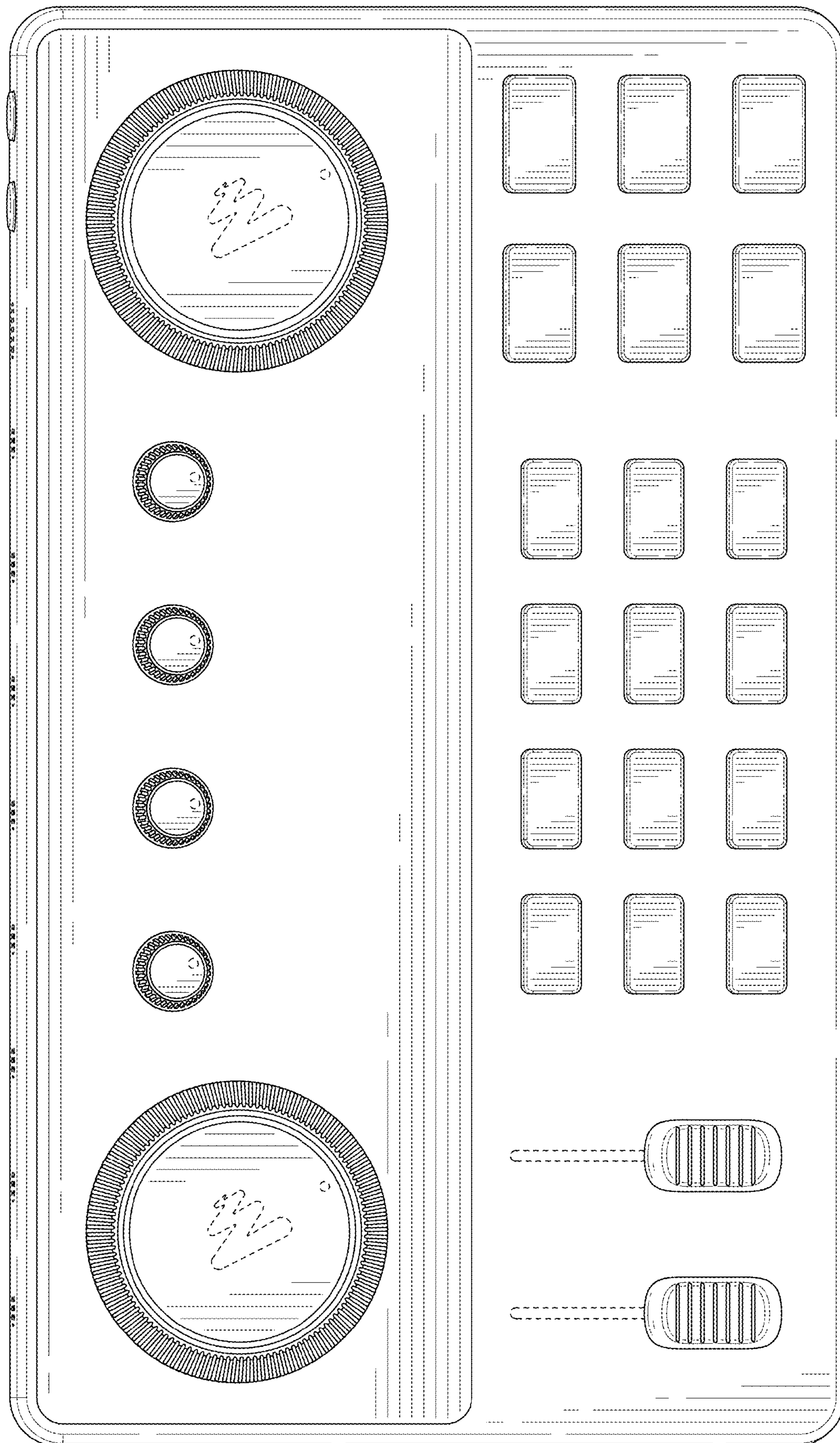


FIG. 3

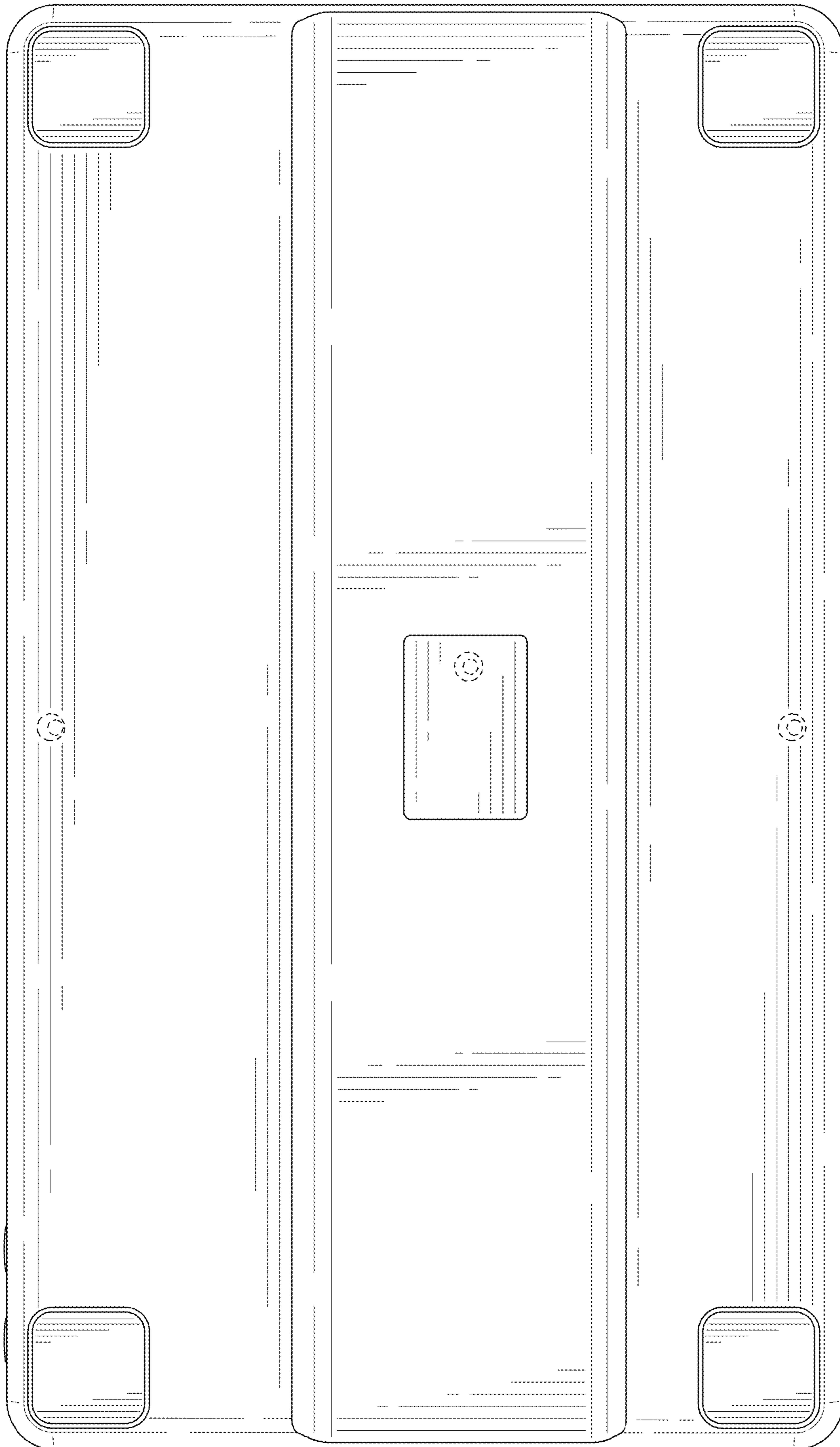


FIG. 4

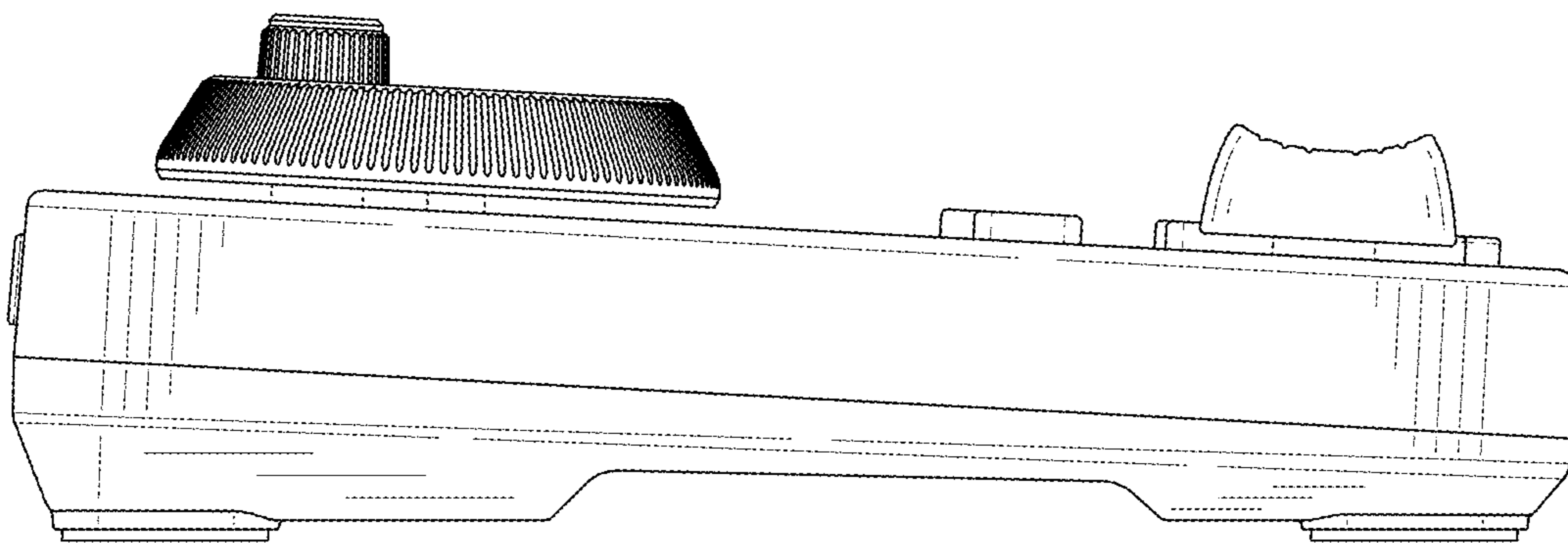


FIG. 5

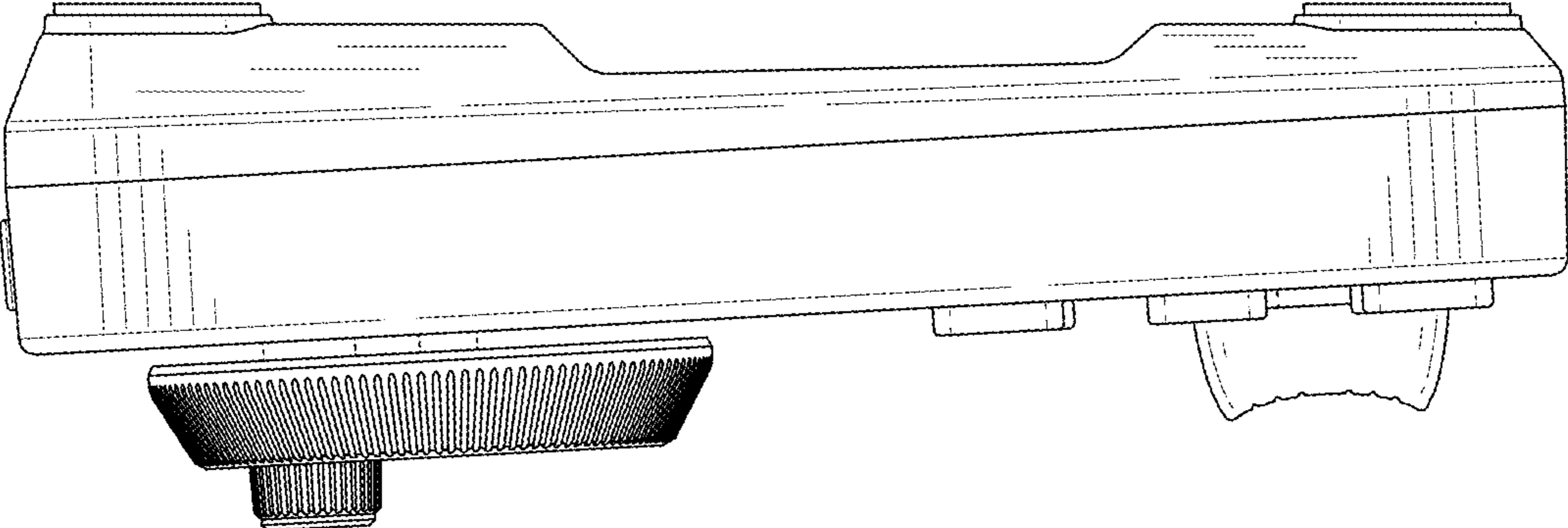


FIG. 6



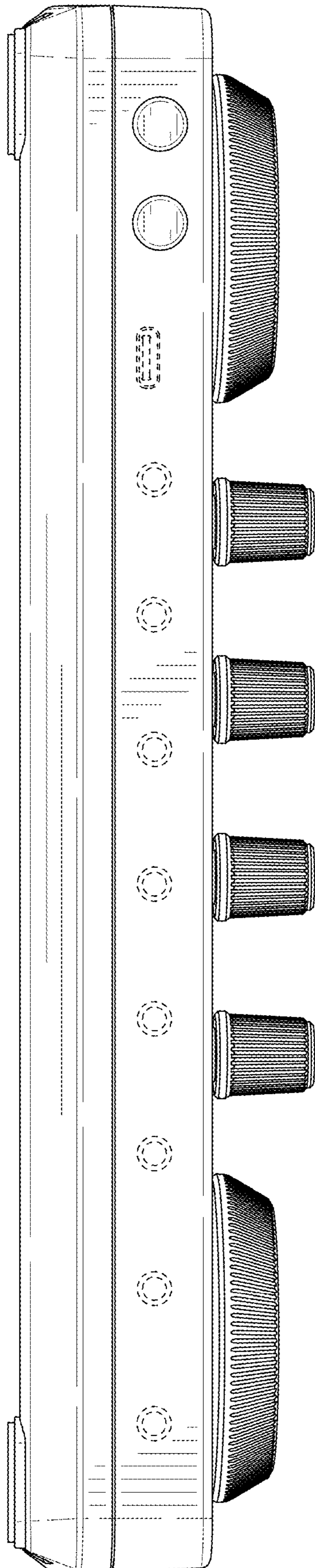


FIG. 7

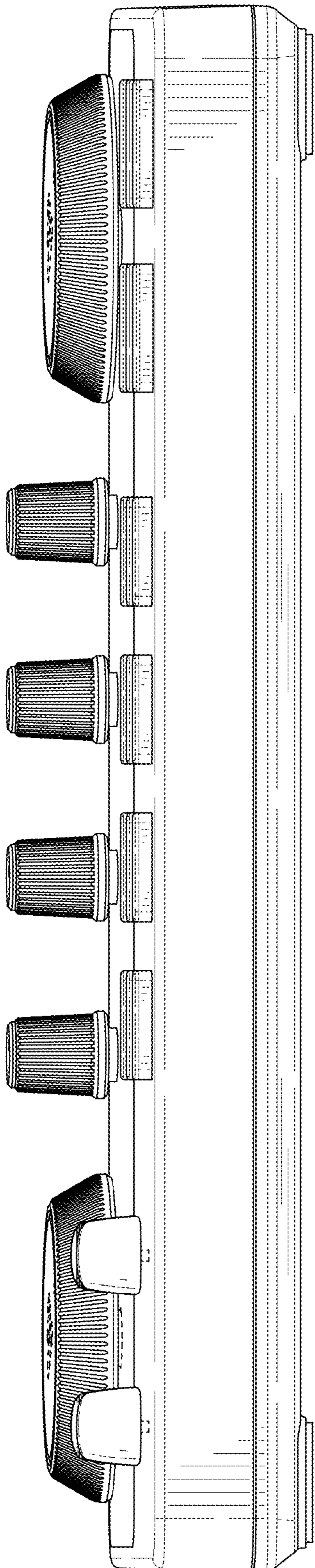


FIG. 8

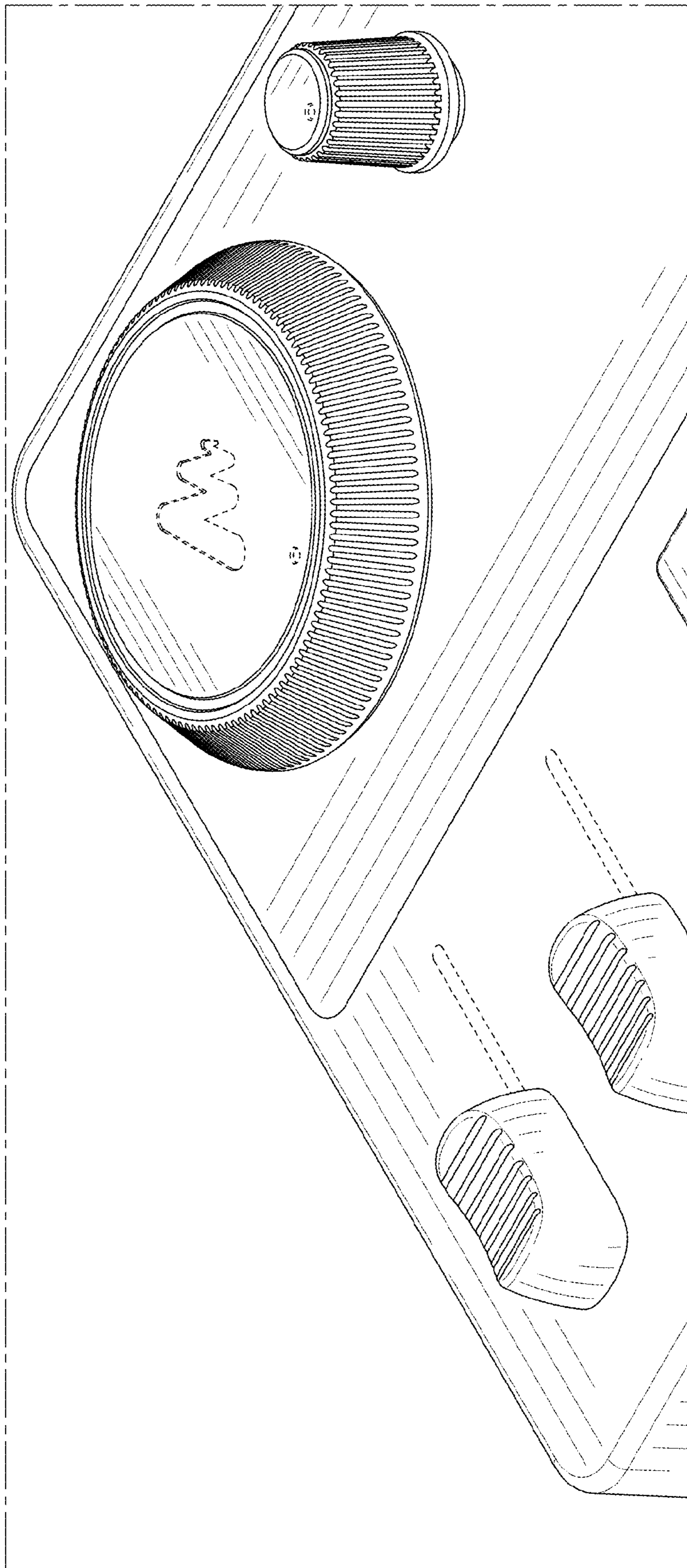


FIG. 9