



US00D951913S

(12) **United States Design Patent**  
**Kuramoto et al.**

(10) **Patent No.:** **US D951,913 S**

(45) **Date of Patent:** **\*\* May 17, 2022**

(54) **DIGITAL AUDIO PLAYER**

(71) Applicant: **AlphaTheta Corporation**, Yokohama (JP)

(72) Inventors: **Takahiro Kuramoto**, Yokohama (JP);  
**Masayuki Mikasa**, Yokohama (JP)

(73) Assignee: **ALPHATHETA CORPORATION**,  
Yokohama (JP)

(\*\*) Term: **15 Years**

(21) Appl. No.: **29/734,759**

(22) Filed: **May 15, 2020**

(30) **Foreign Application Priority Data**

Nov. 25, 2019 (JP) ..... 2019-026048

(51) **LOC (13) Cl.** ..... **14-01**

(52) **U.S. Cl.**  
USPC ..... **D14/217**

(58) **Field of Classification Search**  
USPC ..... D14/160, 162, 167, 168, 217, 501, 502;  
D13/163; D21/328

CPC ..... G06F 9/451; G06F 3/0482; G10H 1/0008;  
H04H 60/04; H04S 7/00

See application file for complete search history.

(56) **References Cited**

U.S. PATENT DOCUMENTS

D454,855 S \* 3/2002 Nakane ..... D14/168  
D512,706 S \* 12/2005 Nakane ..... D14/507  
D583,798 S \* 12/2008 Iijima ..... D14/496  
D616,410 S \* 5/2010 Sonoda ..... D14/168  
D689,486 S \* 9/2013 O'Donnell ..... D14/388  
D797,699 S \* 9/2017 Kuramoto ..... D14/203.4  
D797,700 S \* 9/2017 Kuramoto ..... D14/203.4

D810,051 S \* 2/2018 Matsubayashi ..... D14/217  
D828,334 S \* 9/2018 Kobayashi ..... D14/217  
2007/0050059 A1 \* 3/2007 Liu ..... G11B 19/02  
2019/0377539 A1 \* 12/2019 O'Donnell ..... G10L 21/043

FOREIGN PATENT DOCUMENTS

KR 3020200022893 \* 12/2020

OTHER PUBLICATIONS

[PIONEER Professional DJ Multi Player (Black) w/, Stand Alone in Black (CDJ-3000)], available in Amazon.com, date first available Sep. 10, 2020 [online], [site visited Feb. 18, 2022], Available from the internet URL: [https://www.amazon.com/PIONEER-Professional-Multi-Player-CDJ-3000/dp/B08HSD7G59/ref=sr\\_1\\_1?](https://www.amazon.com/PIONEER-Professional-Multi-Player-CDJ-3000/dp/B08HSD7G59/ref=sr_1_1?) (Year: 2020).\*

\* cited by examiner

*Primary Examiner* — Khawaja Anwar

*Assistant Examiner* — Megan Tiana Rakos

(74) *Attorney, Agent, or Firm* — Rankin, Hill & Clark  
LLP

(57) **CLAIM**

The ornamental design for a digital audio player, as shown and described.

**DESCRIPTION**

FIG. 1 is an upper-right-front perspective view showing the digital audio player of our design.

FIG. 2 is lower-left-rear perspective view thereof.

FIG. 3 is a front view thereof.

FIG. 4 is a rear view thereof.

FIG. 5 is a left-side view thereof.

FIG. 6 is a right-side view thereof.

FIG. 7 is a top view thereof; and,

FIG. 8 is bottom view thereof.

**1 Claim, 8 Drawing Sheets**

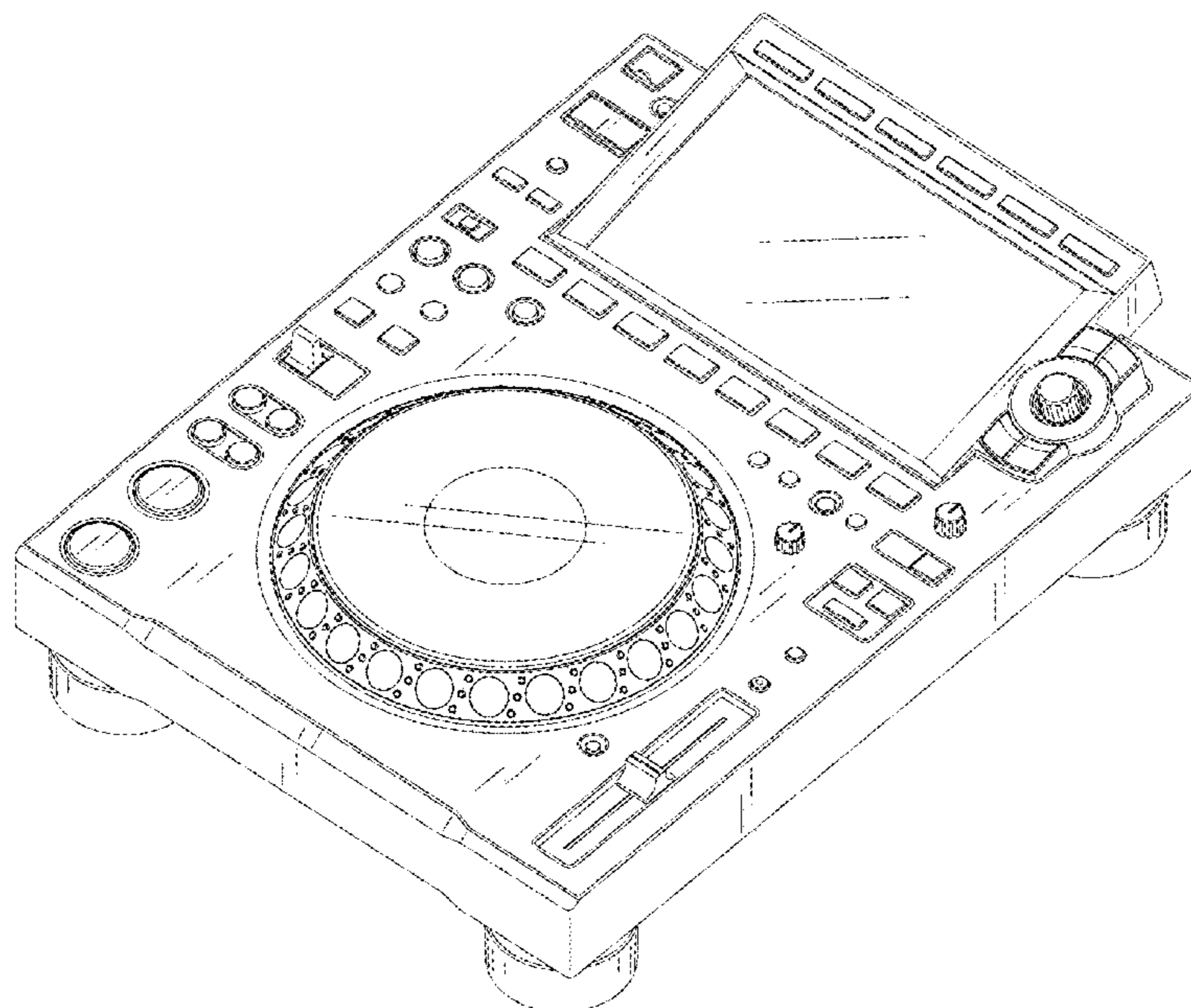


FIG. 1

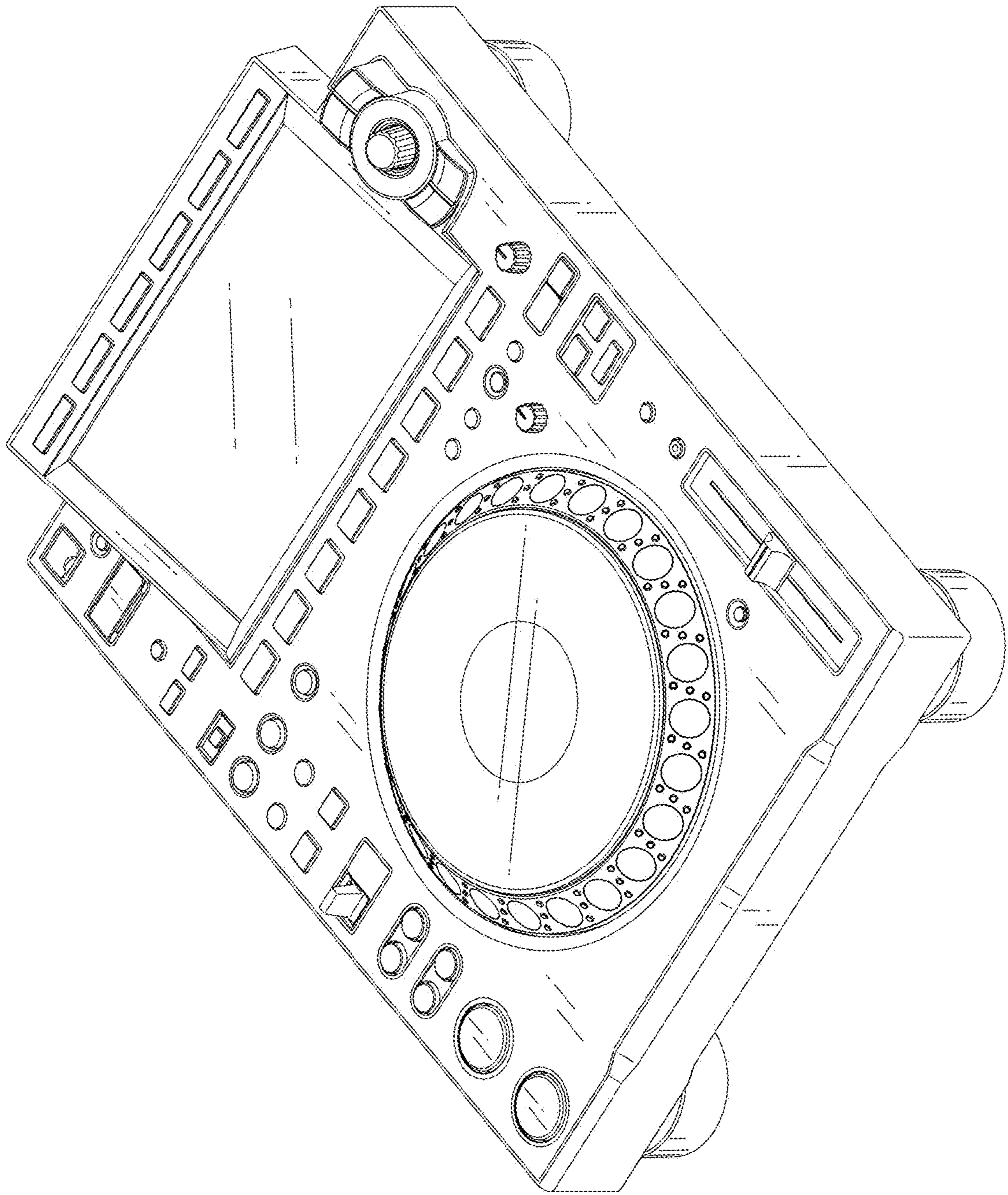




FIG. 2

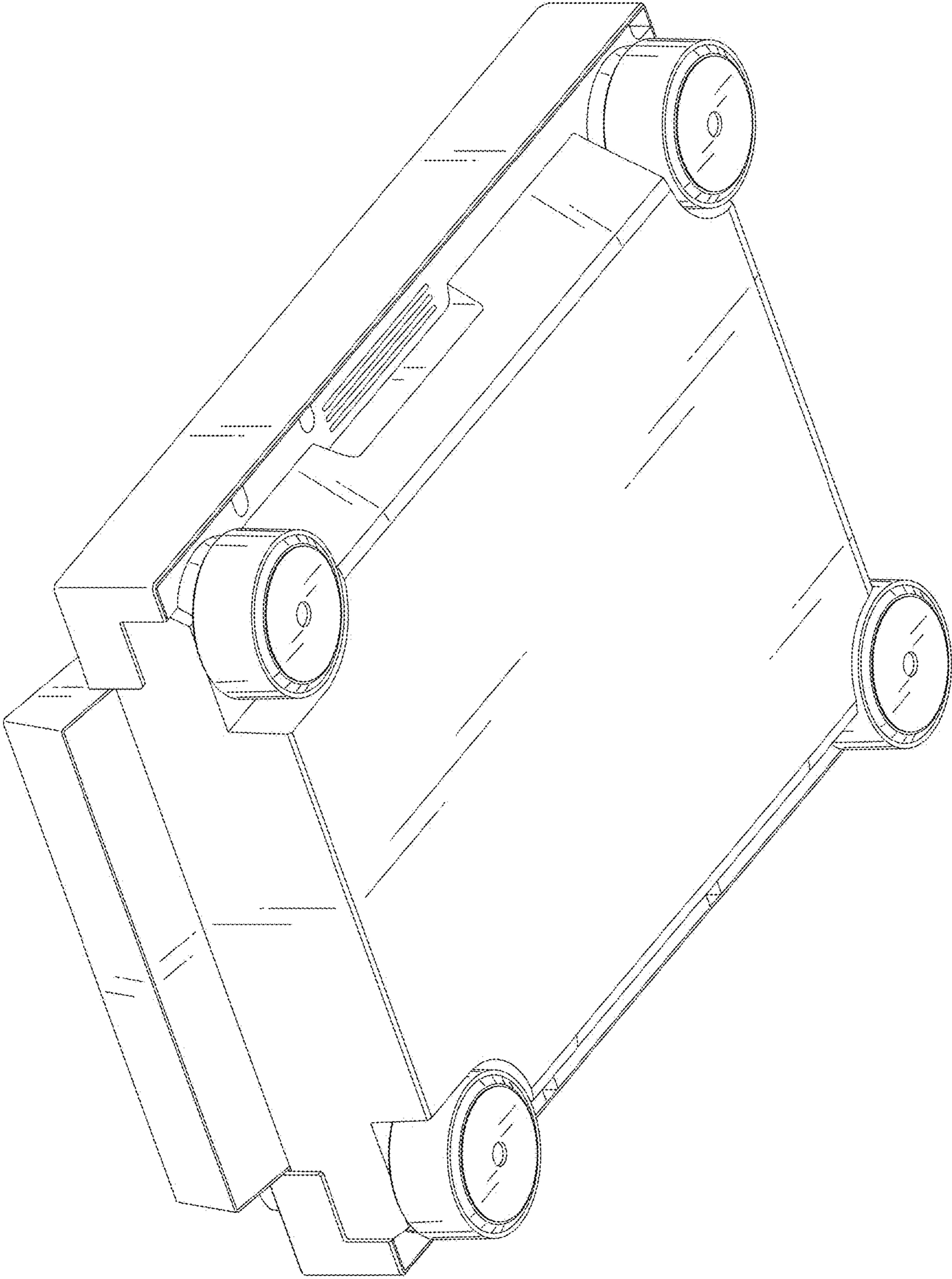


FIG. 3

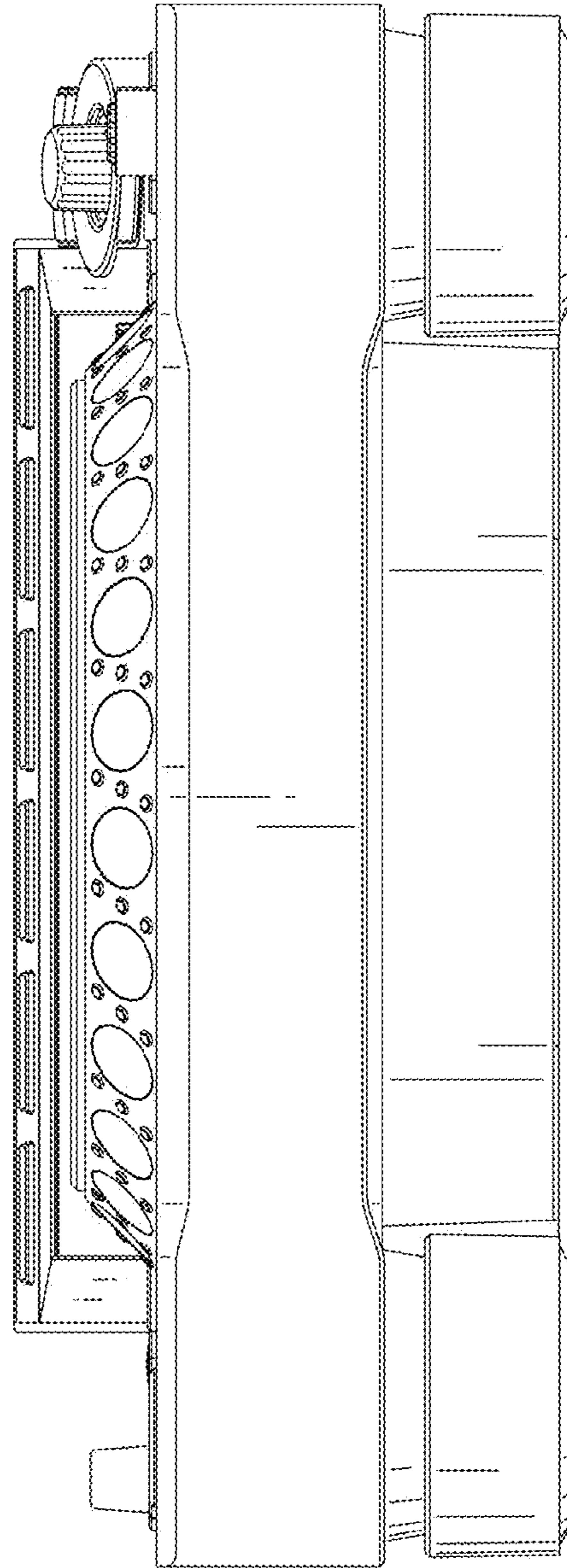


FIG. 4

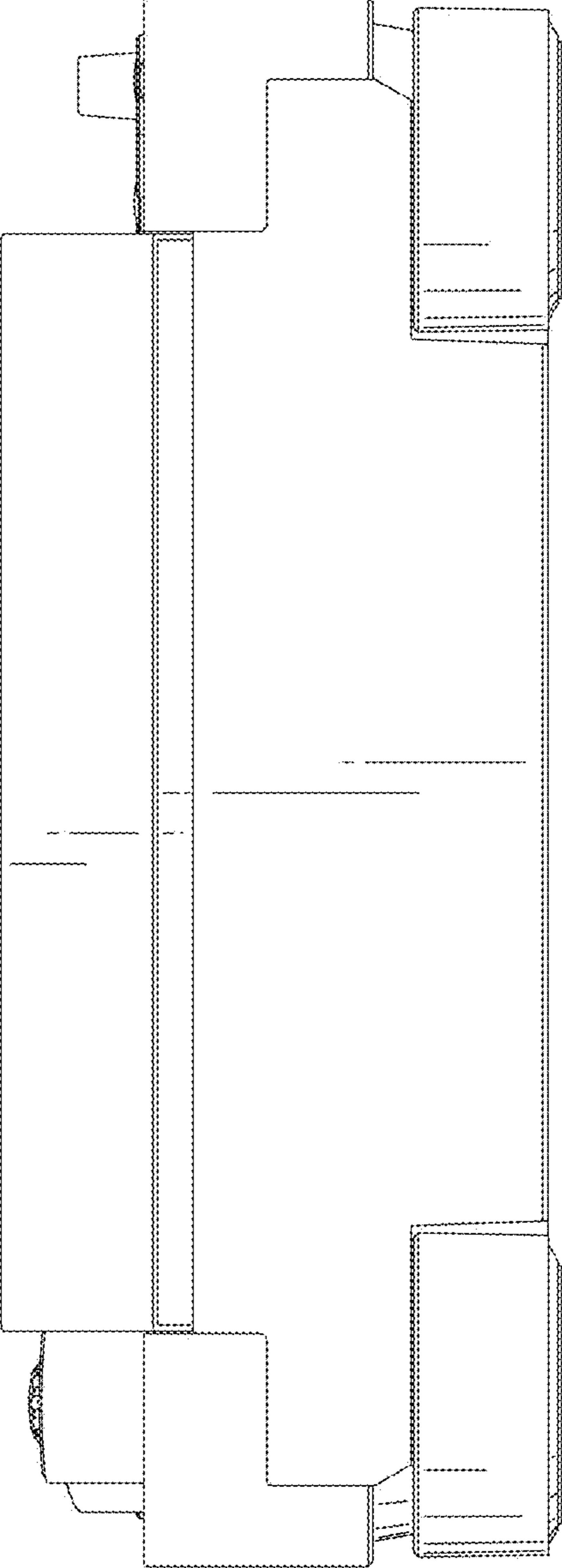


FIG. 5

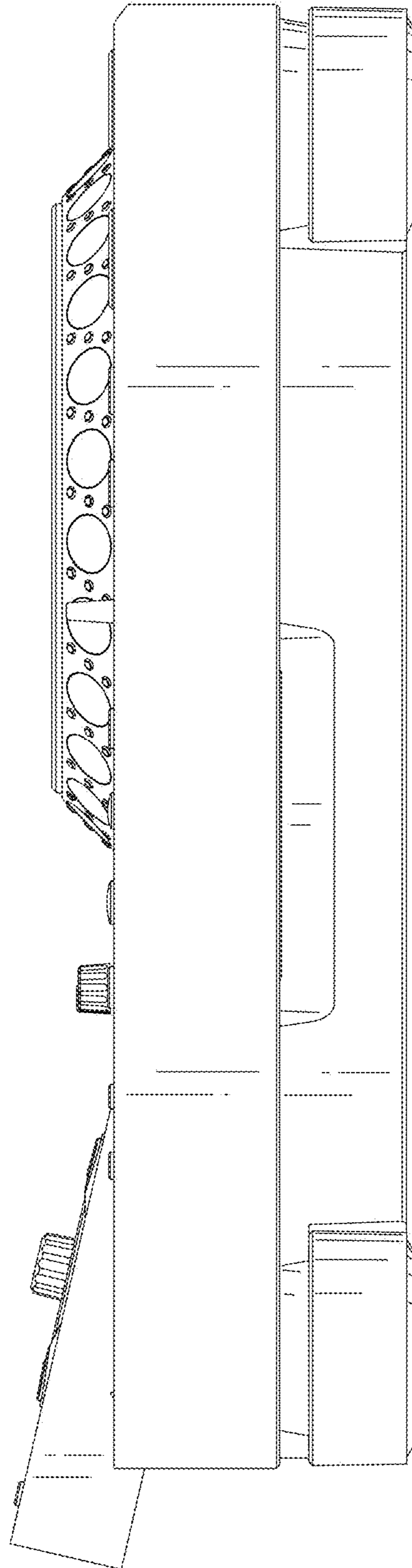


FIG. 6

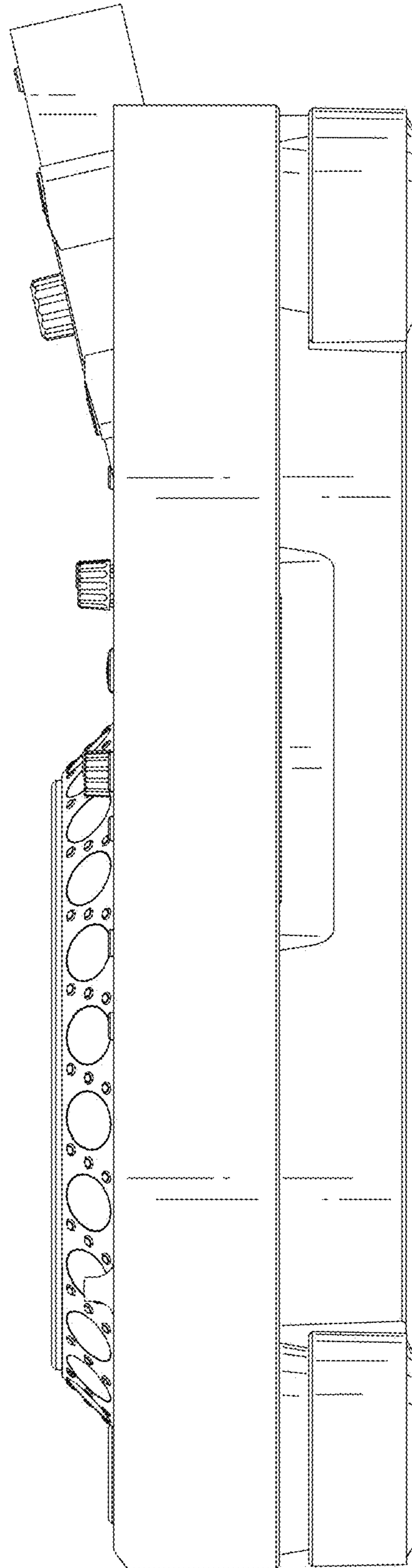




FIG. 7

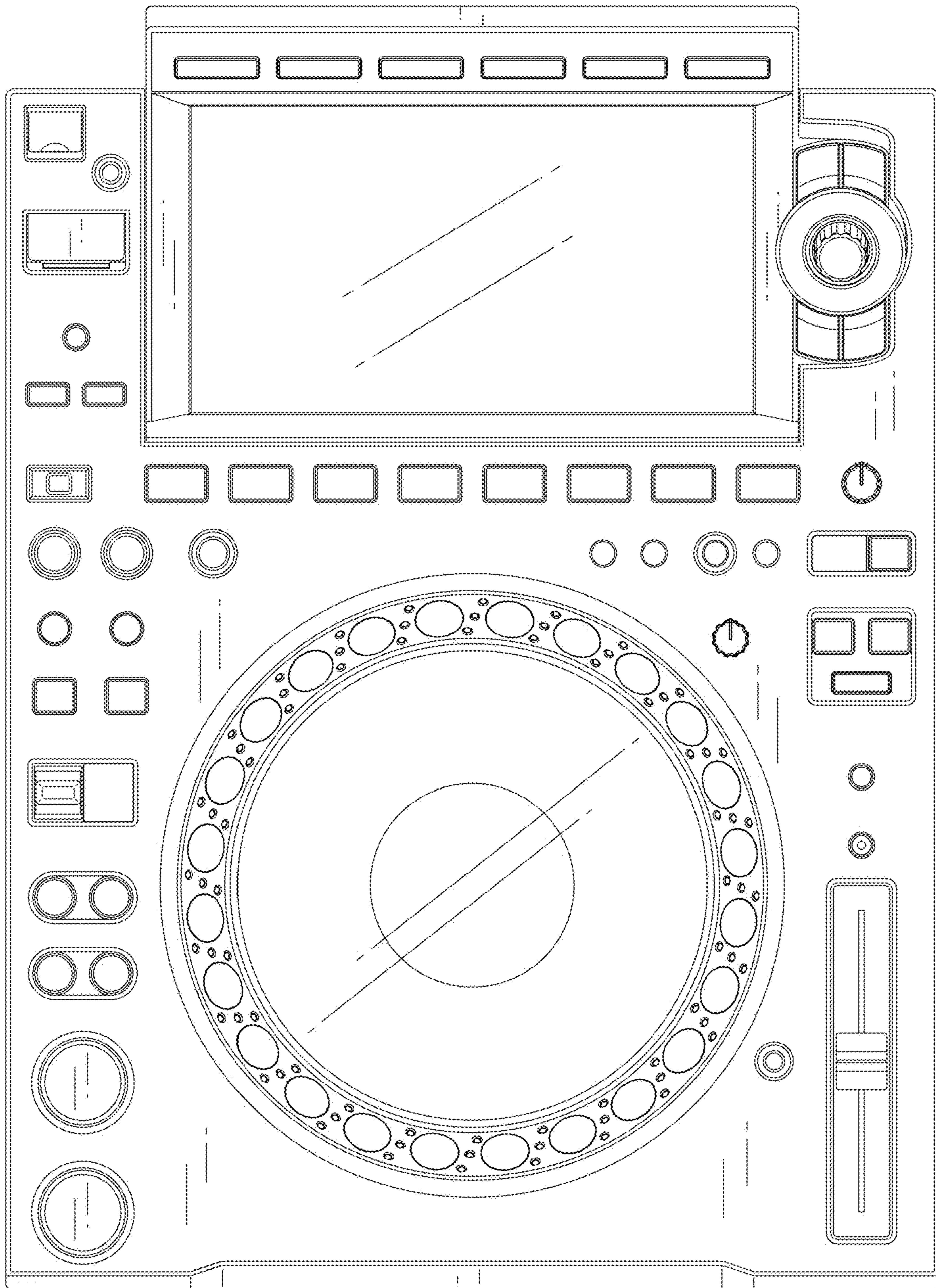




FIG. 8

