



US00D951906S

(12) **United States Design Patent**
Li

(10) **Patent No.:** **US D951,906 S**
(45) **Date of Patent:** **** May 17, 2022**

- (54) **UNICORN KID HEADPHONE**
- (71) Applicant: **Dongguan Qizhou Electronics Co., Ltd.**, Dongguan (CN)
- (72) Inventor: **QiaoLing Li**, Dongguan (CN)
- (**) Term: **15 Years**
- (21) Appl. No.: **29/778,762**
- (22) Filed: **Apr. 14, 2021**
- (51) **LOC (13) Cl.** **14-01**
- (52) **U.S. Cl.**
USPC **D14/205; D14/207**
- (58) **Field of Classification Search**
USPC D14/205, 207, 188, 192, 160, 168, 164, D14/176, 200, 201, 203.2, 498, 508, 155, D14/185; D21/620, 483, 453; D2/869; D28/41; 132/273; D1/106; D11/184, D11/134, 620, 159, 82, 79; D16/341; D8/378; D24/194, 195; 606/235; 428/16, 542.2; 446/130; 273/DIG. 17; 2/200.3; D3/211, 214, 215, 207, 219, D3/220, 189; 455/90.3, 575.1, 569.1
CPC A63H 3/00; H04R 1/1066; H04R 1/1016; H04R 5/033; H04R 5/0335; H04R 25/00; H04R 25/02; H04R 1/02
See application file for complete search history.

- D260,865 S * 9/1981 Smith D11/157
- D266,754 S * 11/1982 Taylor D11/159
- 4,547,171 A * 10/1985 Horimoto A63H 3/02
446/370
- D281,266 S * 11/1985 Insetta D11/159
- D310,129 S * 8/1990 Archambault D11/133
- 5,672,090 A * 9/1997 Liu A63H 3/006
446/268
- D413,413 S * 8/1999 Dillon D29/112
- D428,627 S * 7/2000 Sorenson D11/159
- D440,742 S * 4/2001 Mitchell D2/869
- 6,333,982 B1 * 12/2001 Sapiejewski H04M 1/05
379/430
- D472,944 S * 4/2003 Jacobs D21/576
- D482,393 S * 11/2003 Hui D19/116

(Continued)

FOREIGN PATENT DOCUMENTS

- CN 305868558 * 6/2020
- CN 305988983 * 8/2020

(Continued)

Primary Examiner — Paula Allen Greene

(57) **CLAIM**

The ornamental design for a unicorn kid headphone, as shown and described.

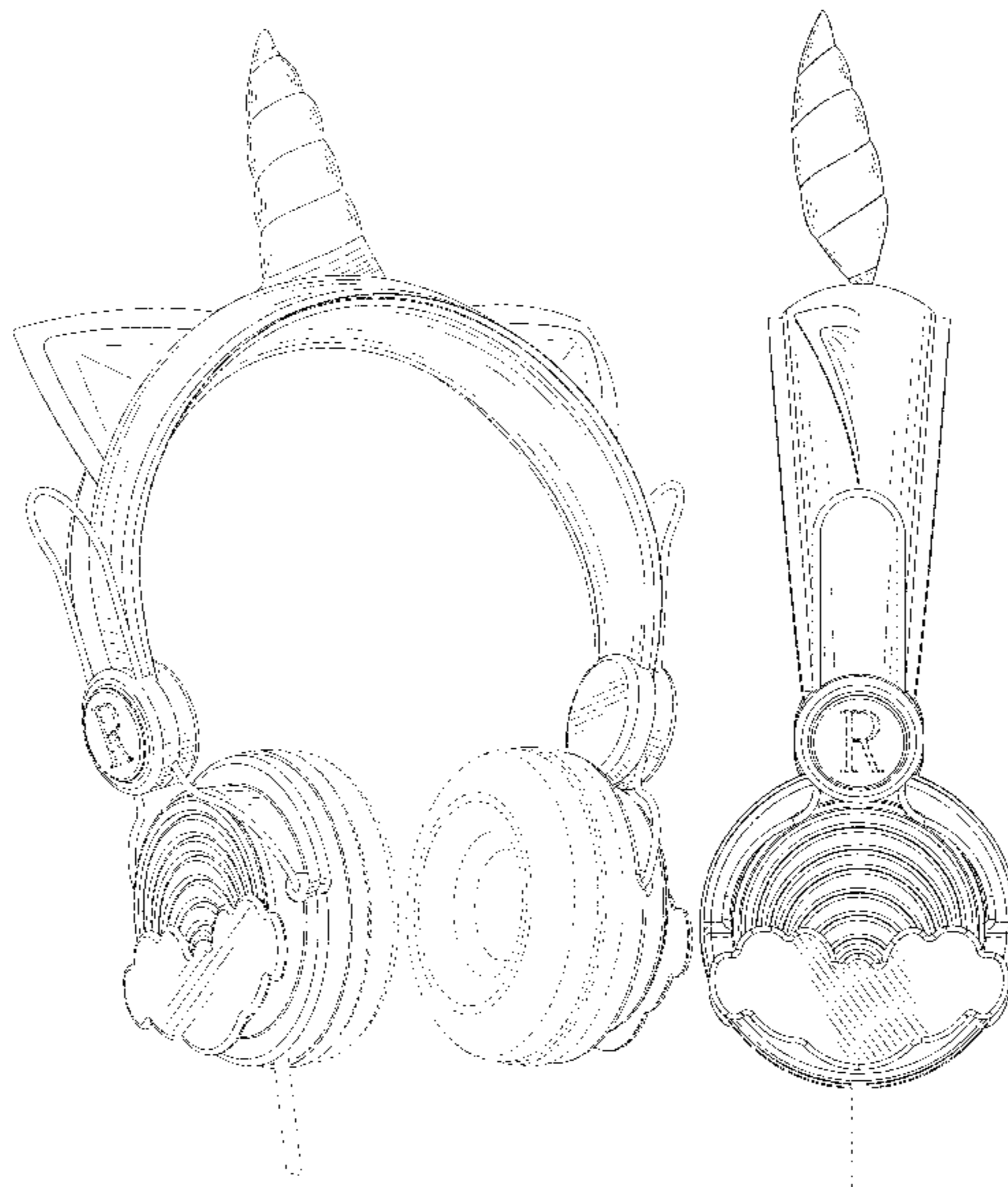
DESCRIPTION

FIG. 1 is a perspective view of a unicorn kid headphone showing my new design;
 FIG. 2 is a front view thereof;
 FIG. 3 is a back view thereof;
 FIG. 4 is a left side view thereof;
 FIG. 5 is a right side view thereof;
 FIG. 6 is a top view thereof; and,
 FIG. 7 is a bottom view thereof.
 The broken lines shown in the drawings depict portions of the unicorn kid headphone in which the design is embodied that form no part of the claimed design.

1 Claim, 7 Drawing Sheets

(56) **References Cited**
U.S. PATENT DOCUMENTS

- 2,149,341 A * 3/1939 Harrison H04R 1/1066
381/379
- 2,273,136 A * 2/1942 Orech F16G 11/046
224/258
- 3,211,160 A * 10/1965 Miller A45D 8/00
132/275
- 3,488,457 A * 1/1970 Lahti H04R 1/1008
381/371
- D260,752 S * 9/1981 Huntsman D11/157



(56)

References Cited

U.S. PATENT DOCUMENTS

D519,497 S * 4/2006 Komiyama D14/223
 D560,654 S * 1/2008 Feng D14/205
 D570,825 S * 6/2008 Schultz D14/205
 D668,633 S * 10/2012 Enquist D14/205
 D700,590 S * 3/2014 Heath D14/205
 D722,590 S * 2/2015 Lu D14/205
 D757,679 S * 5/2016 Yan D14/205
 D780,378 S * 2/2017 Chow A61F 11/14
 D799,150 S * 10/2017 Vielot D1/106
 D801,948 S * 11/2017 Picunko D14/205
 D813,195 S * 3/2018 Huang D14/205
 10,021,487 B2 * 7/2018 Yan H04R 5/0335
 D830,330 S * 10/2018 Petersen D14/205
 D830,331 S * 10/2018 Petersen D14/205
 D835,731 S * 12/2018 Rub D21/620
 D837,763 S * 1/2019 Suzuki D14/205
 D841,240 S * 2/2019 Passarello D28/41
 D863,253 S * 10/2019 He D14/205
 D864,896 S * 10/2019 Zhang D14/205
 D868,026 S * 11/2019 Hardi D14/205
 D869,433 S * 12/2019 Huan D14/205
 D872,645 S * 1/2020 Lachyani Abiri D11/159
 D874,430 S * 2/2020 Liu D14/205
 D876,430 S * 2/2020 Lin D14/327
 D884,669 S * 5/2020 Zhong D14/205

D889,431 S * 7/2020 Huang D14/205
 D889,568 S * 7/2020 Li D21/620
 D901,438 S 11/2020 Reiten
 D902,176 S * 11/2020 Huang D14/205
 D907,664 S * 1/2021 Kim D14/496
 D908,110 S 1/2021 Zhou
 D912,643 S 3/2021 Nakayama et al.
 D928,115 S * 8/2021 Huang D14/205
 2006/0027245 A1 * 2/2006 Spector A45D 8/36
 132/273
 2009/0032051 A1 * 2/2009 Defenbaugh A45D 8/20
 132/277
 2009/0053969 A1 * 2/2009 Hui A63H 33/22
 446/130
 2013/0340769 A1 * 12/2013 Roos A61F 11/14
 128/866
 2016/0088383 A1 * 3/2016 Yan H04R 5/0335
 381/378

FOREIGN PATENT DOCUMENTS

CN 306460506 * 4/2021
 CN 306460517 * 4/2021
 CN 306460591 * 4/2021
 CN 306647180 * 6/2021
 CN 306704209 * 7/2021
 CN 306745905 * 8/2021
 CN 305504132 * 12/2021

* cited by examiner



FIG.1

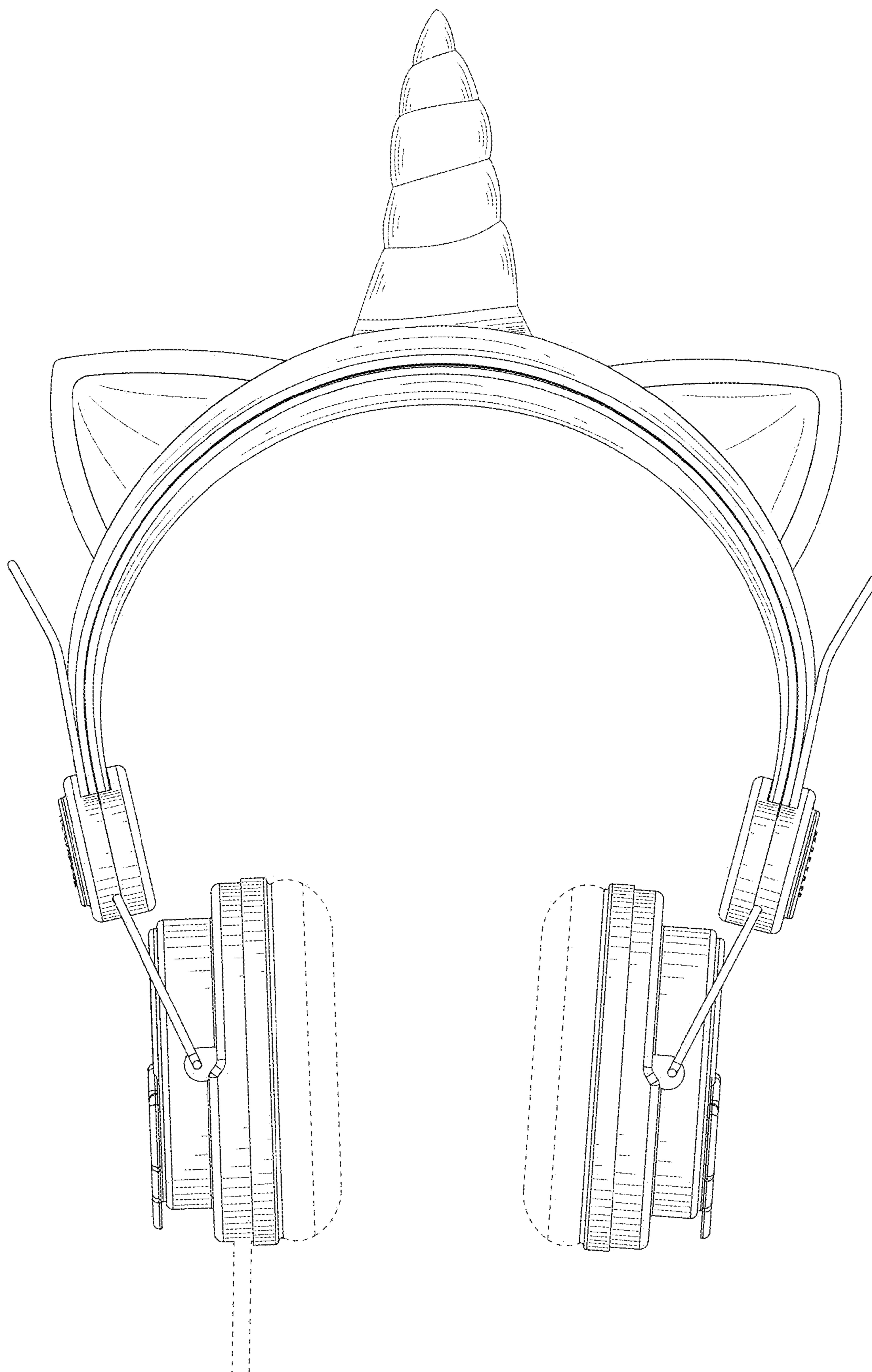


FIG.2

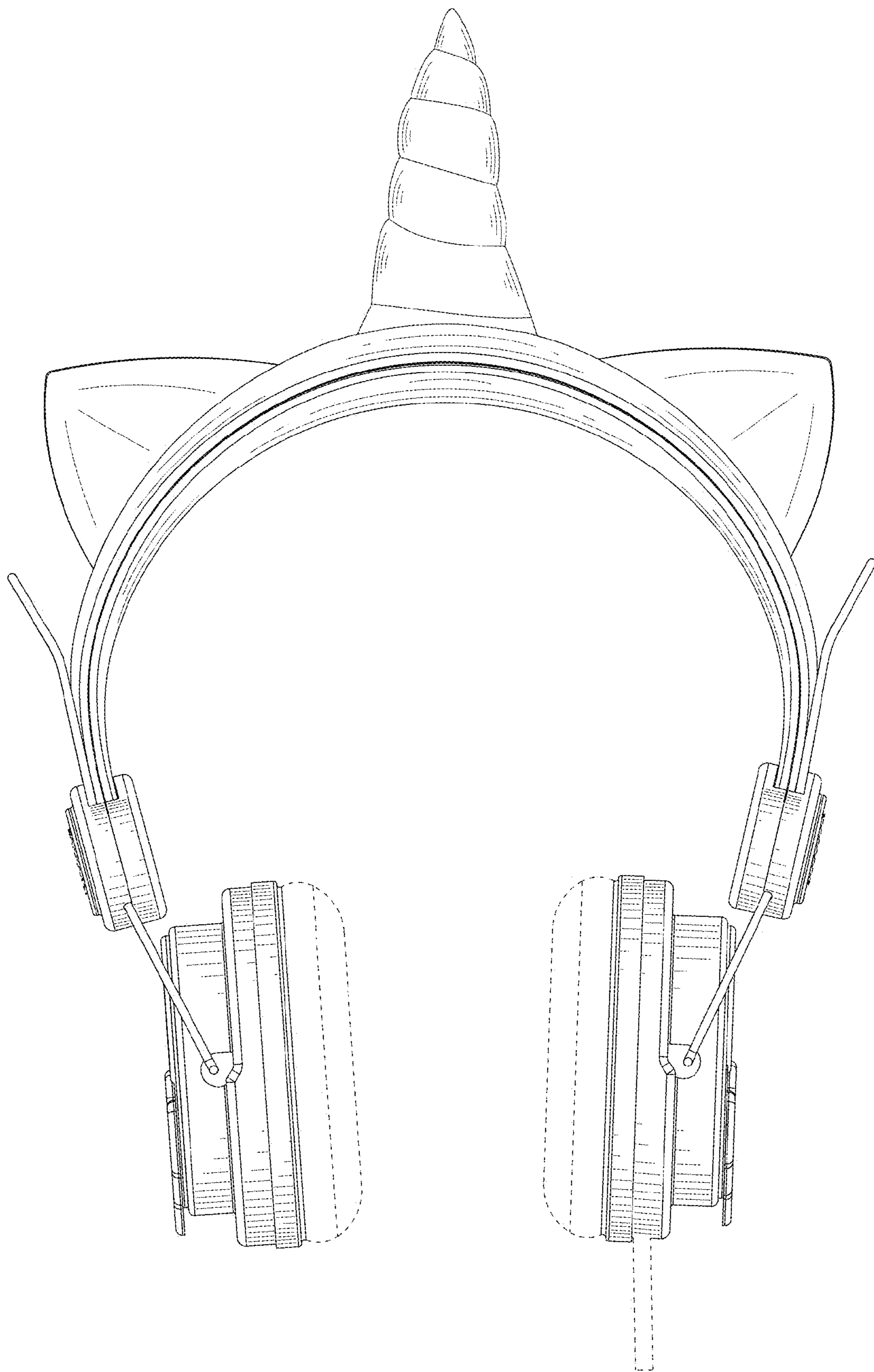


FIG.3

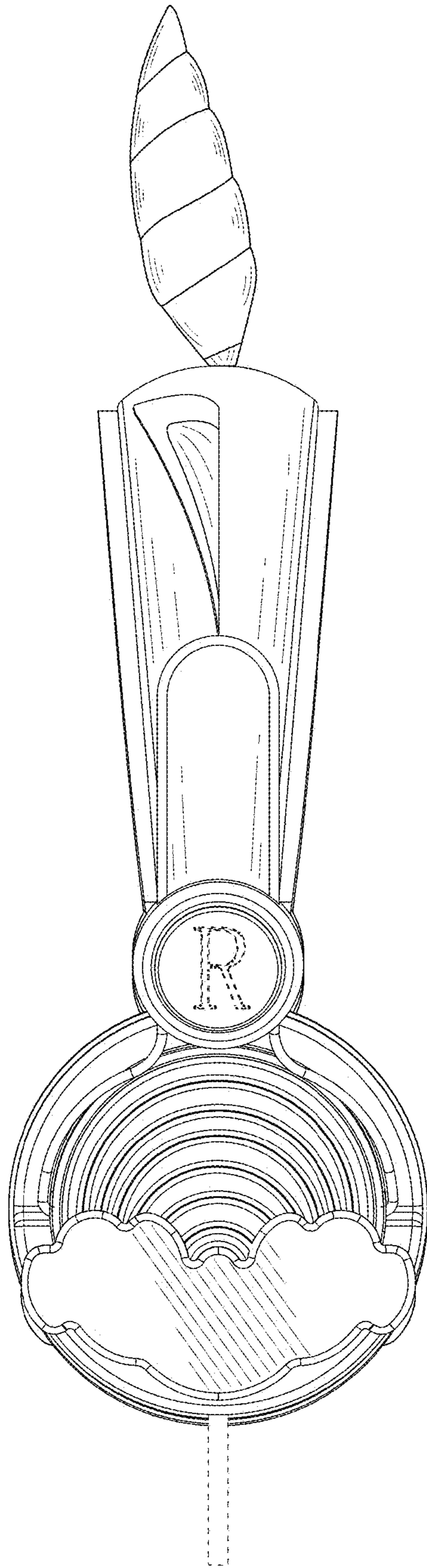


FIG.4

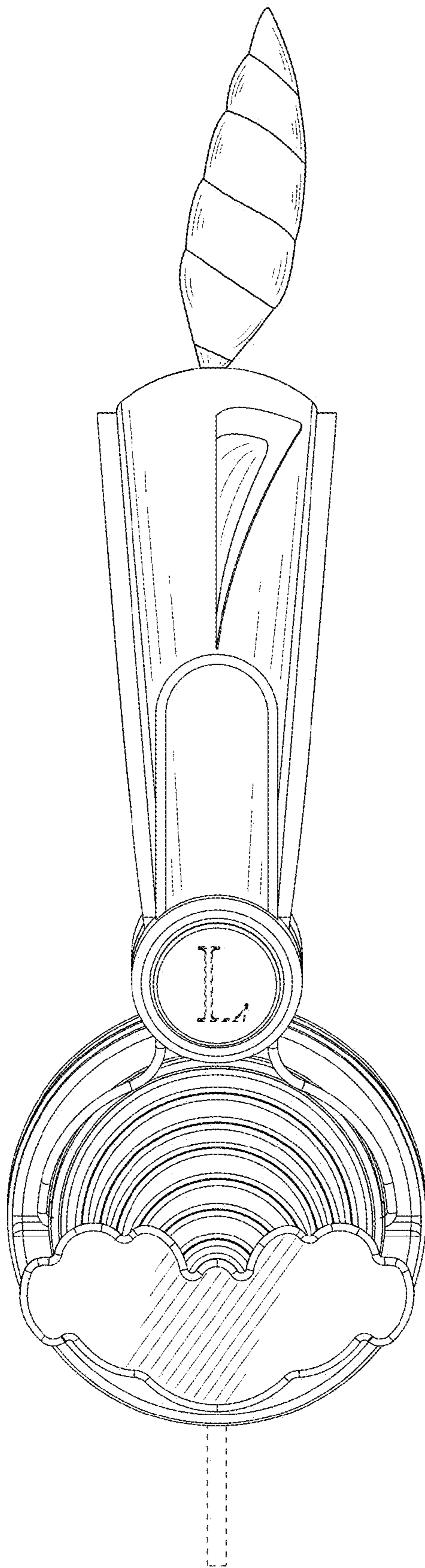


FIG.5

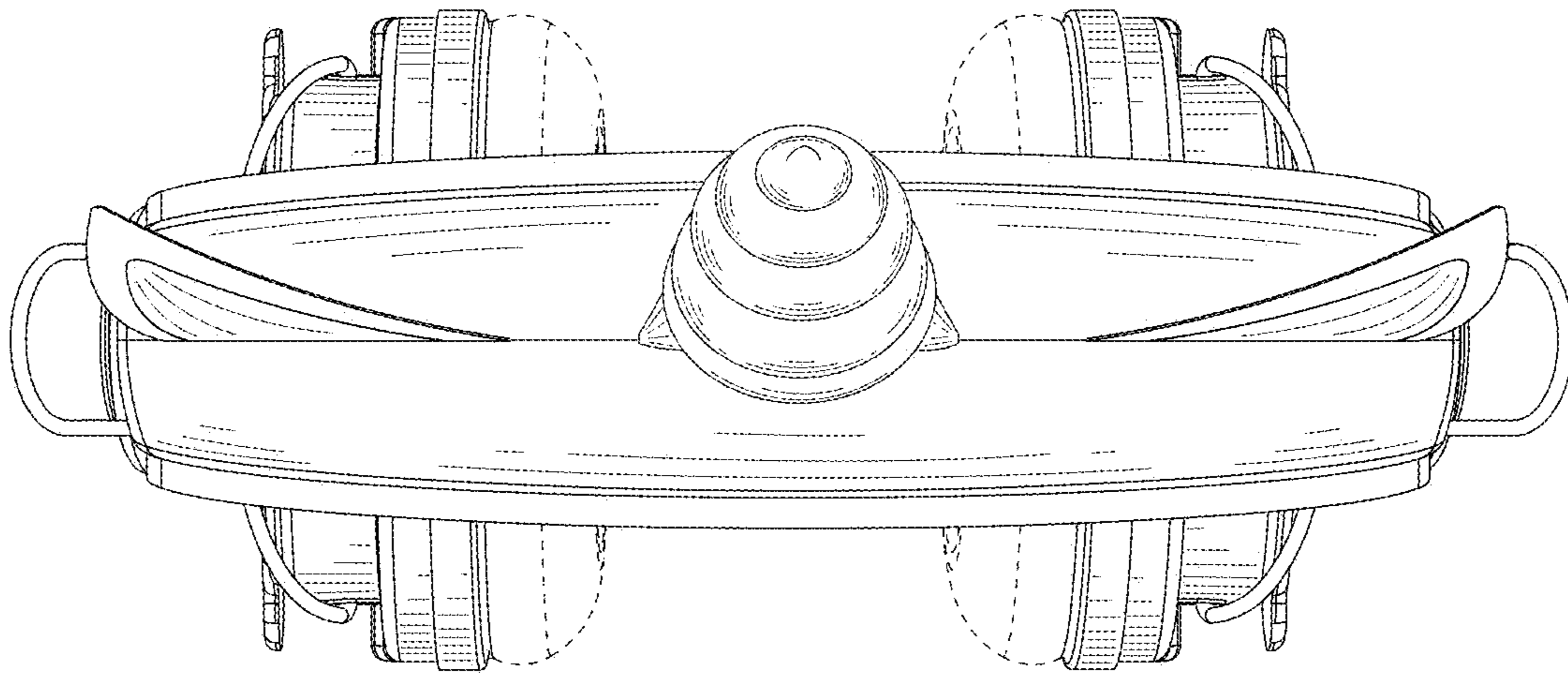


FIG.6

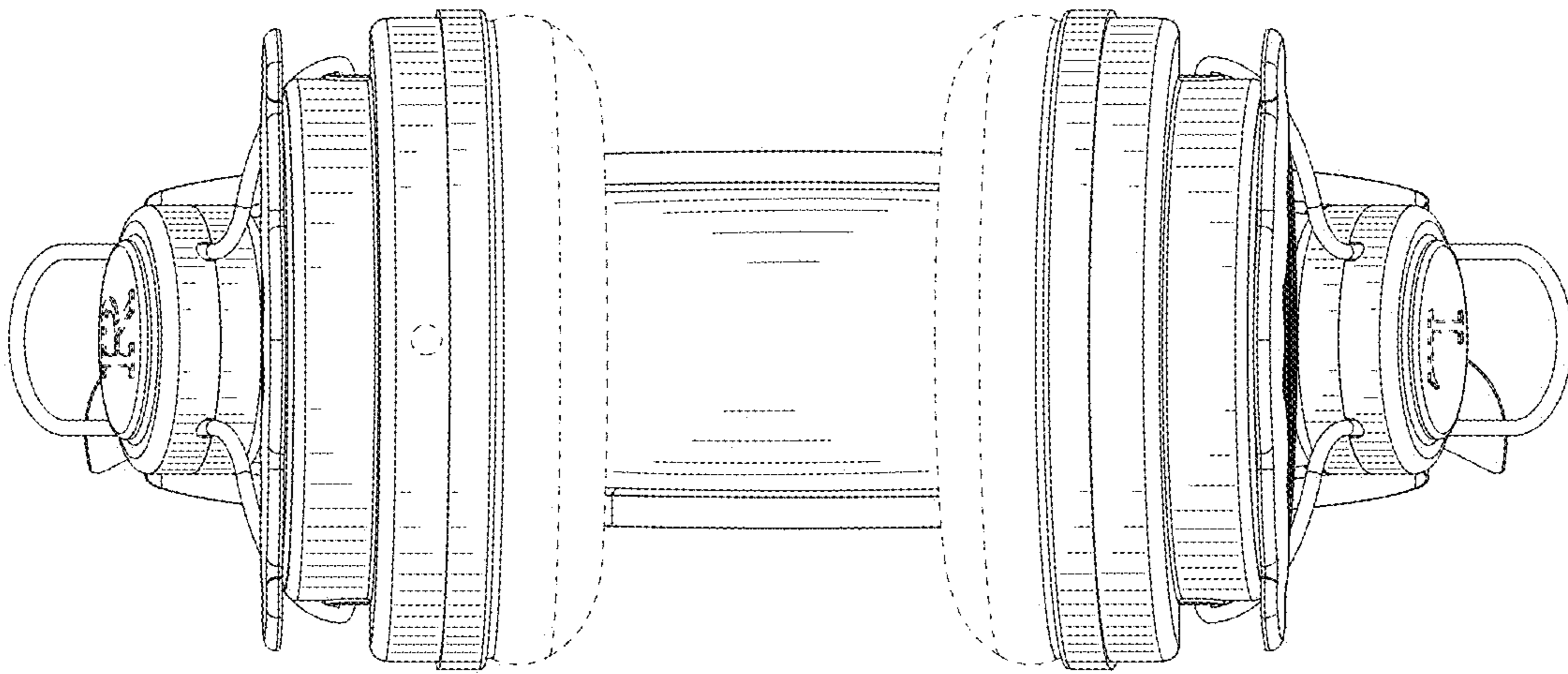


FIG.7