



US00D951902S

(12) **United States Design Patent** (10) **Patent No.:** **US D951,902 S**
Zhang et al. (45) **Date of Patent:** **** May 17, 2022**

(54) **SPEAKER**

(71) Applicant: **Shenzhen Chuangwei-RGB Electronics Co., Ltd**, Shenzhen (CN)

(72) Inventors: **Yihao Zhang**, Shenzhen (CN); **Xiangcheng Liu**, Shenzhen (CN); **Shuxiao Wei**, Shenzhen (CN); **Qiang Li**, Shenzhen (CN); **Linrong Feng**, Shenzhen (CN); **Xingkang Liu**, Shenzhen (CN)

(73) Assignee: **Shenzhen Chuangwei-RGB Electronics Co., Ltd**, Shenzhen (CN)

(**) Term: **15 Years**

(21) Appl. No.: **29/721,464**

(22) Filed: **Jan. 21, 2020**

(30) **Foreign Application Priority Data**

Oct. 8, 2019 (CN) 201930545576.X

(51) **LOC (13) Cl.** **14-01**

(52) **U.S. Cl.**
USPC **D14/204**

(58) **Field of Classification Search**
USPC D14/204, 167, 188, 209.1, 210–217, 348, D14/496–505, 170–172, 219, 221, 222, D14/224, 193, 203.1, 203.2, 203.3, 203.4, D14/203.5, 203.6, 203.7, 203.8, 226
CPC H04R 1/02; H04R 1/021; H04R 1/023; H04R 1/025; H04R 1/026; H04R 1/028; H04R 1/323; H04R 1/403; H04R 1/2803; H04R 1/2834; H04R 5/00; H04R 5/02; H04R 9/06; H04R 2420/07; H04R 2201/021; H04R 2400/00; B60R 11/0217; G06F 1/1688; G10K 11/004; H04S 3/00; H04S 7/30

See application file for complete search history.

(56) **References Cited**

U.S. PATENT DOCUMENTS

D392,973 S *	3/1998	Fenner	D14/214
D492,281 S *	6/2004	Hakoda	D14/211
D508,480 S *	8/2005	Oikawa	D14/211
D539,269 S *	3/2007	Yoon	D14/211
D540,309 S *	4/2007	Yuyama	D14/211
D543,534 S *	5/2007	Tsuge	D14/211
D548,724 S *	8/2007	Hakoda	D14/211
D560,655 S *	1/2008	Carbone	D14/211
D606,974 S *	12/2009	Cho	D14/211
D664,121 S *	7/2012	Larson	D14/215
D708,169 S *	7/2014	Ryu	D14/213

(Continued)

Primary Examiner — Janice Patyk

(74) *Attorney, Agent, or Firm* — Banner & Witcoff, Ltd.

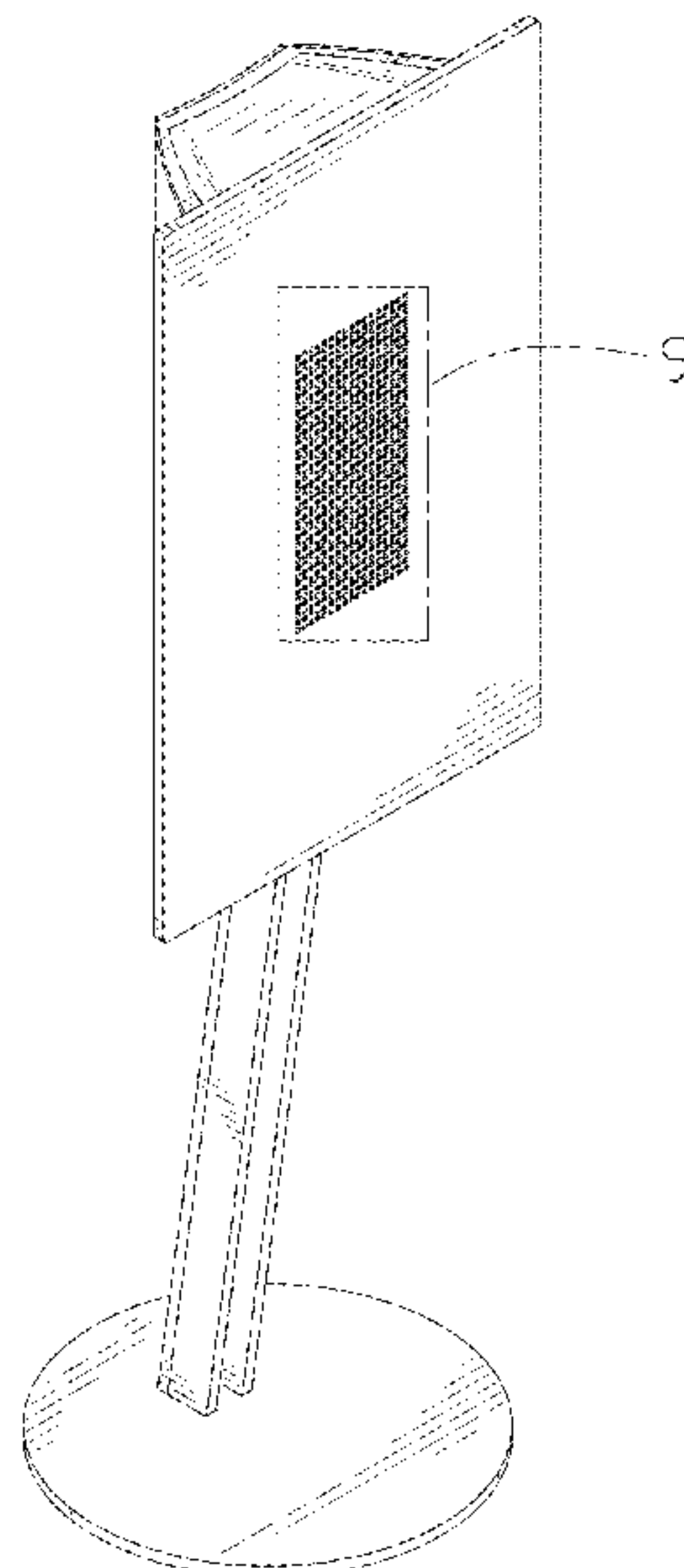
(57) **CLAIM**

The ornamental design for a speaker, as shown and described.

DESCRIPTION

FIG. 1 is a top, front and left side perspective view of a speaker showing our new design; FIG. 2 is a top, rear and right side perspective view thereof; FIG. 3 is a front elevational view thereof; FIG. 4 is a rear elevational view thereof; FIG. 5 is a left side elevational view thereof; FIG. 6 is a right side elevational view thereof; FIG. 7 is a top plan view thereof; FIG. 8 is a bottom plan view thereof; and, FIG. 9 is an enlarged view of portion 9 shown in FIG. 1. The broken lines depict portions of the speaker in which the design is embodied that form no part of the claimed design. Additionally, the dot-dash broken lines encircling an enlargement portion of the design forms no part of the claimed design.

1 Claim, 9 Drawing Sheets



(56)

References Cited

U.S. PATENT DOCUMENTS

D740,253 S * 10/2015 Jeon D14/204
D783,000 S * 4/2017 Koo D14/209.1

* cited by examiner

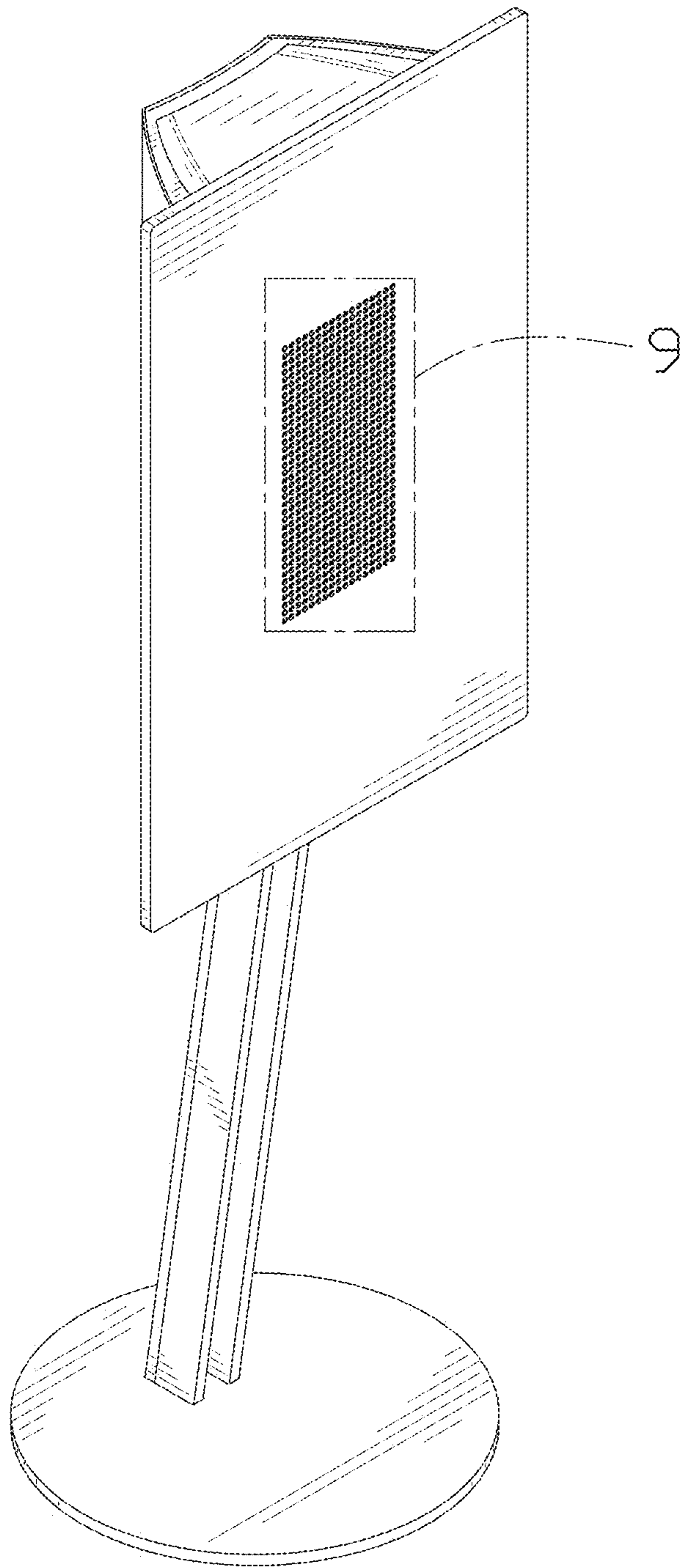


FIG. 1

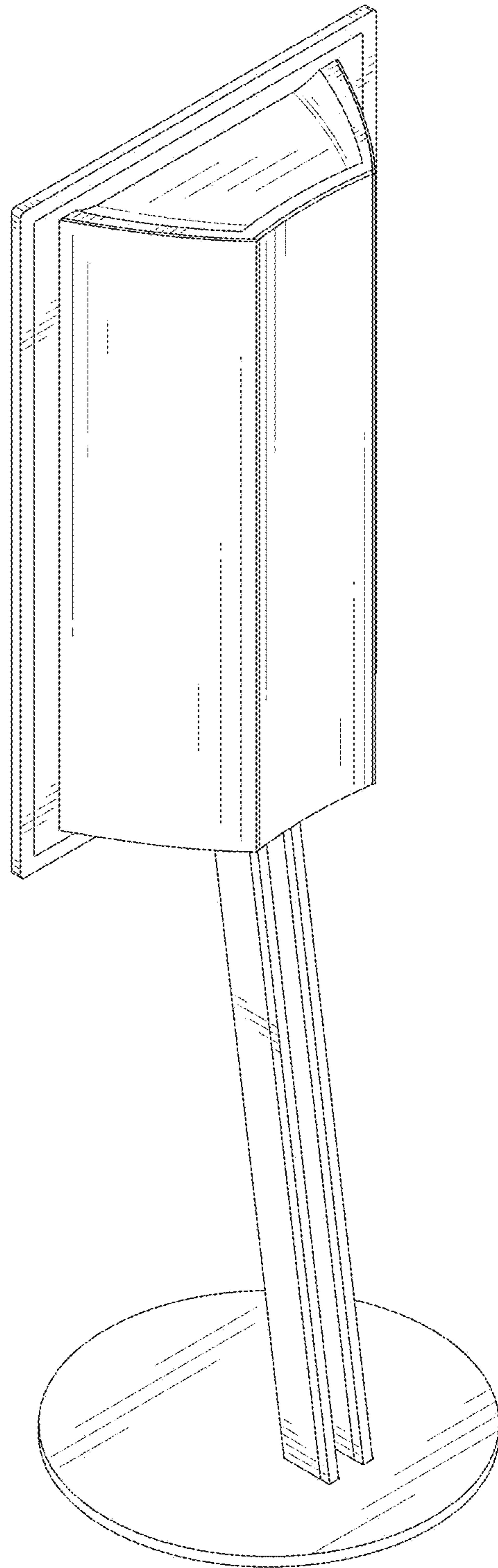


FIG. 2

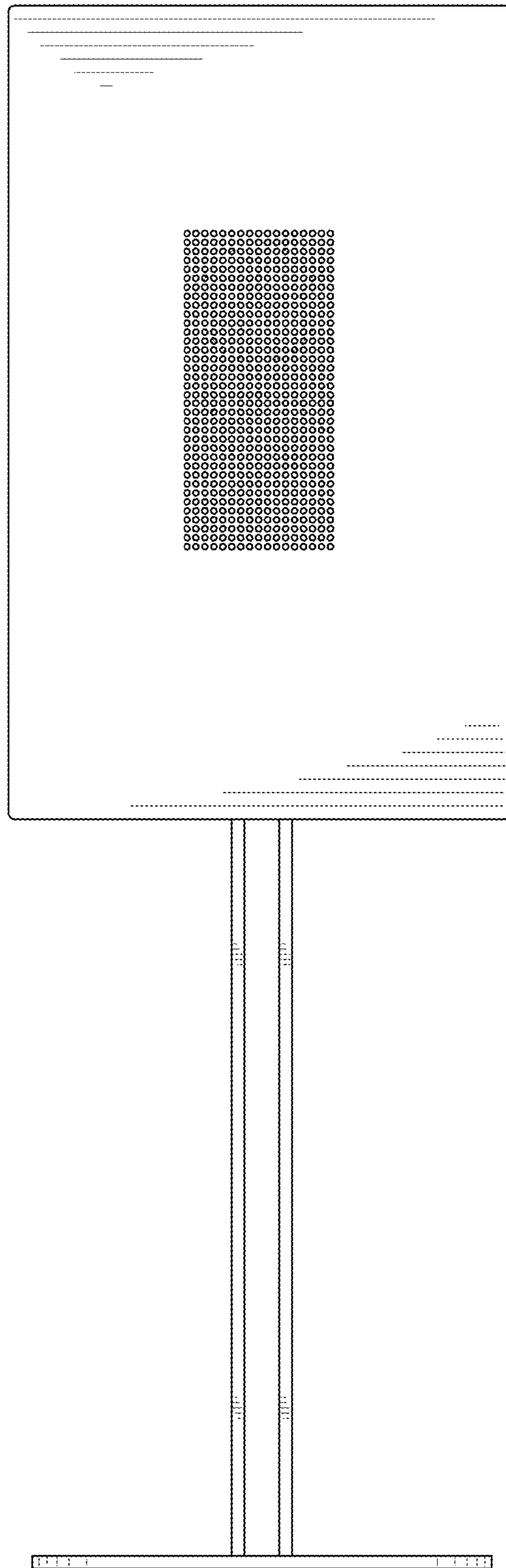


FIG. 3

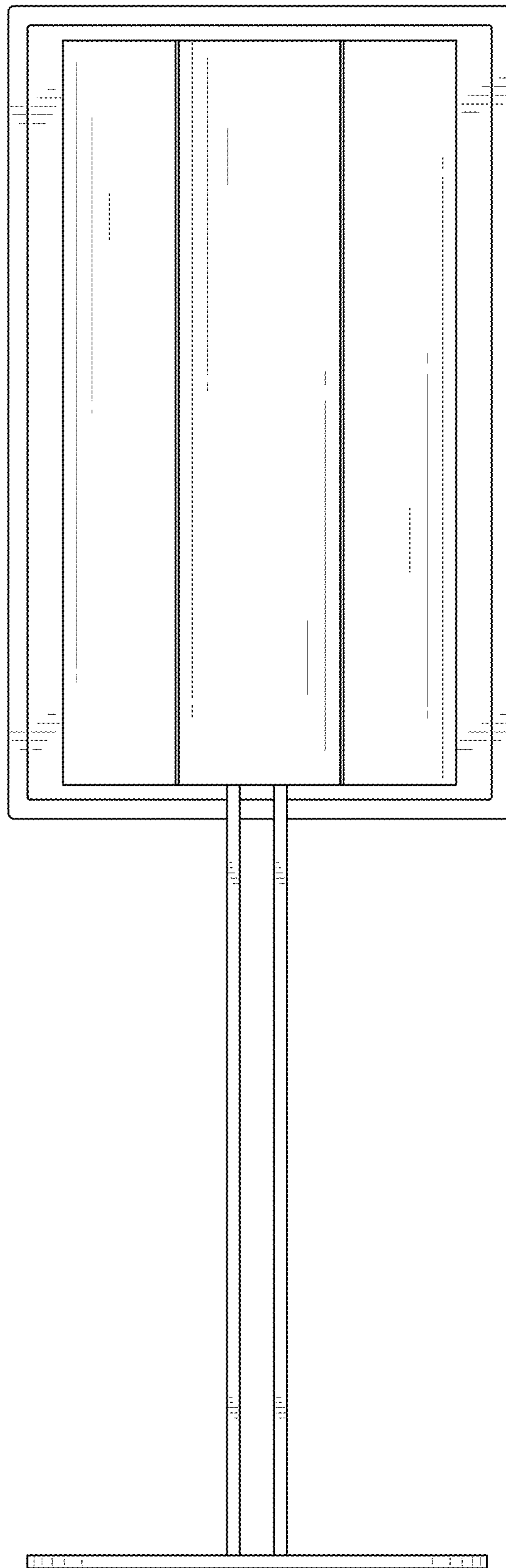


FIG. 4

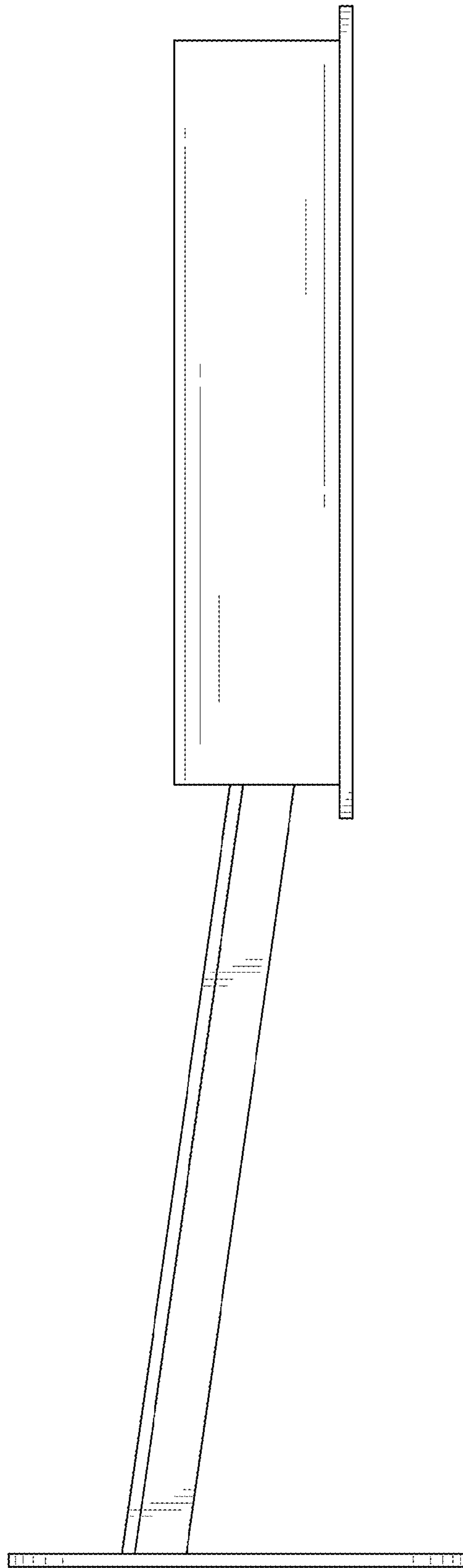


FIG. 5

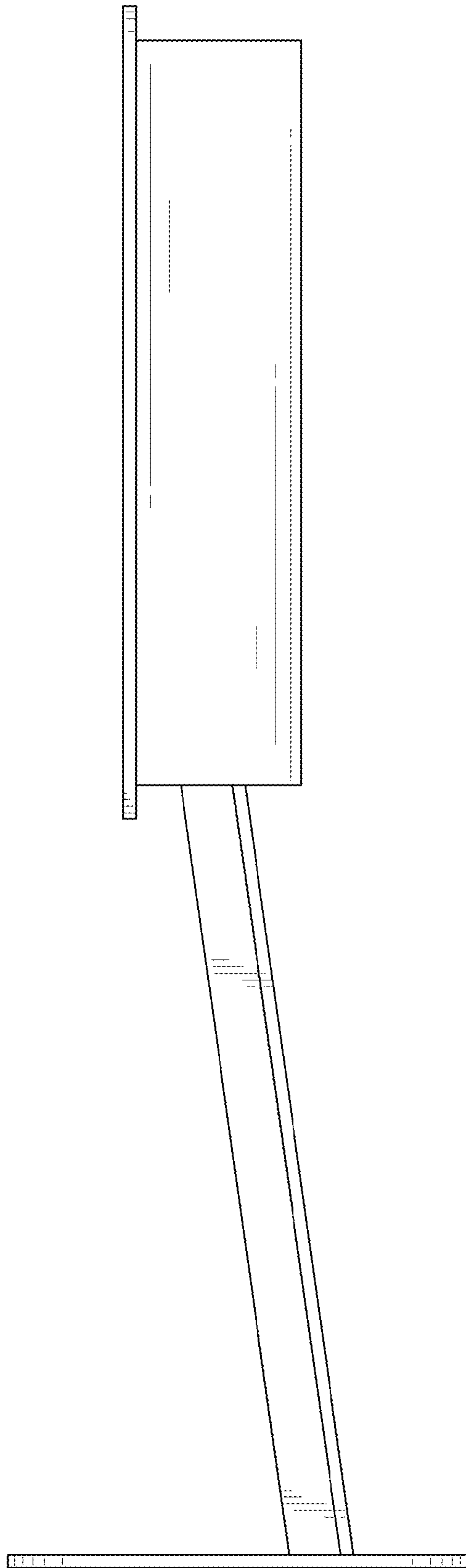


FIG. 6

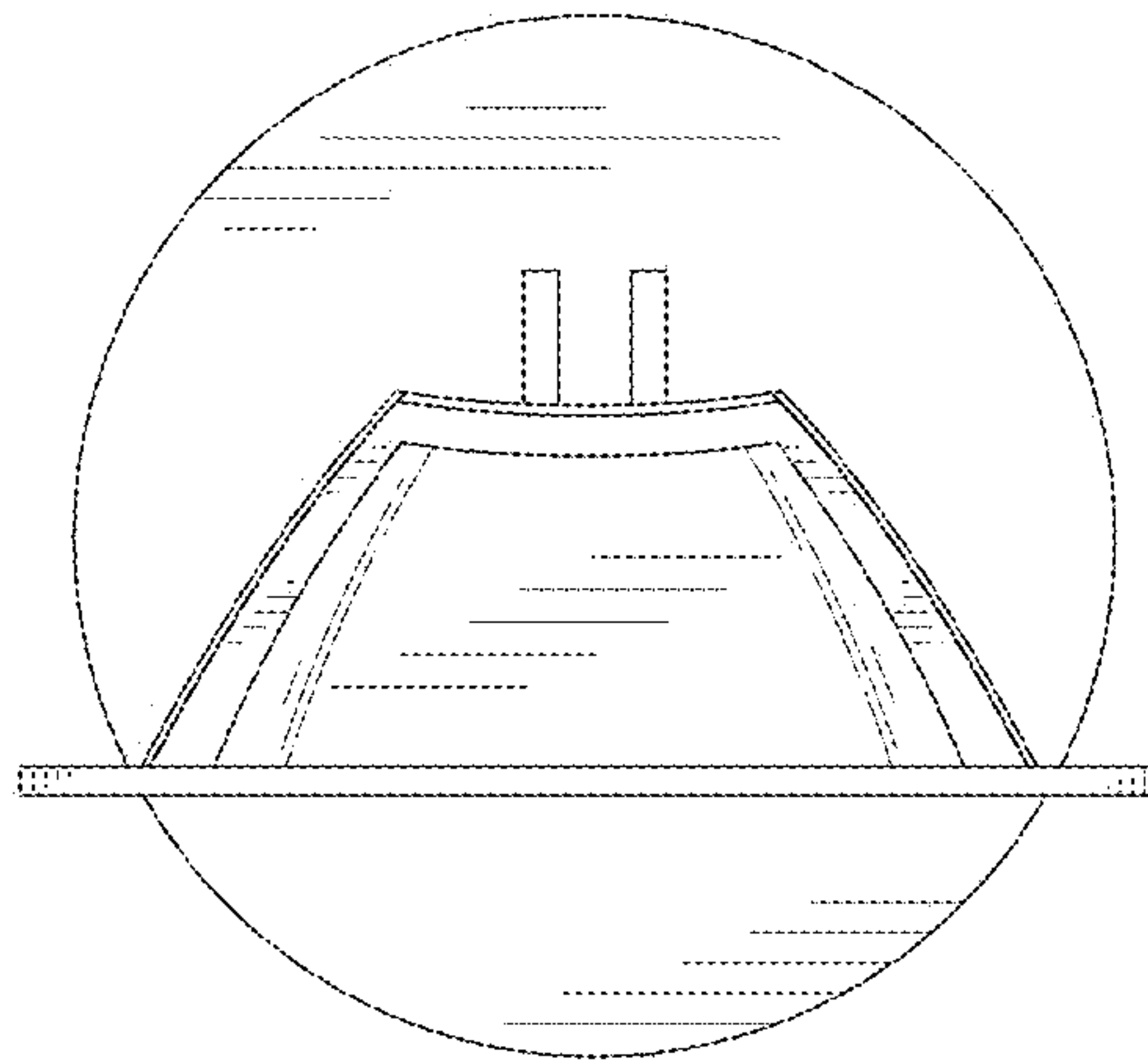


FIG. 7

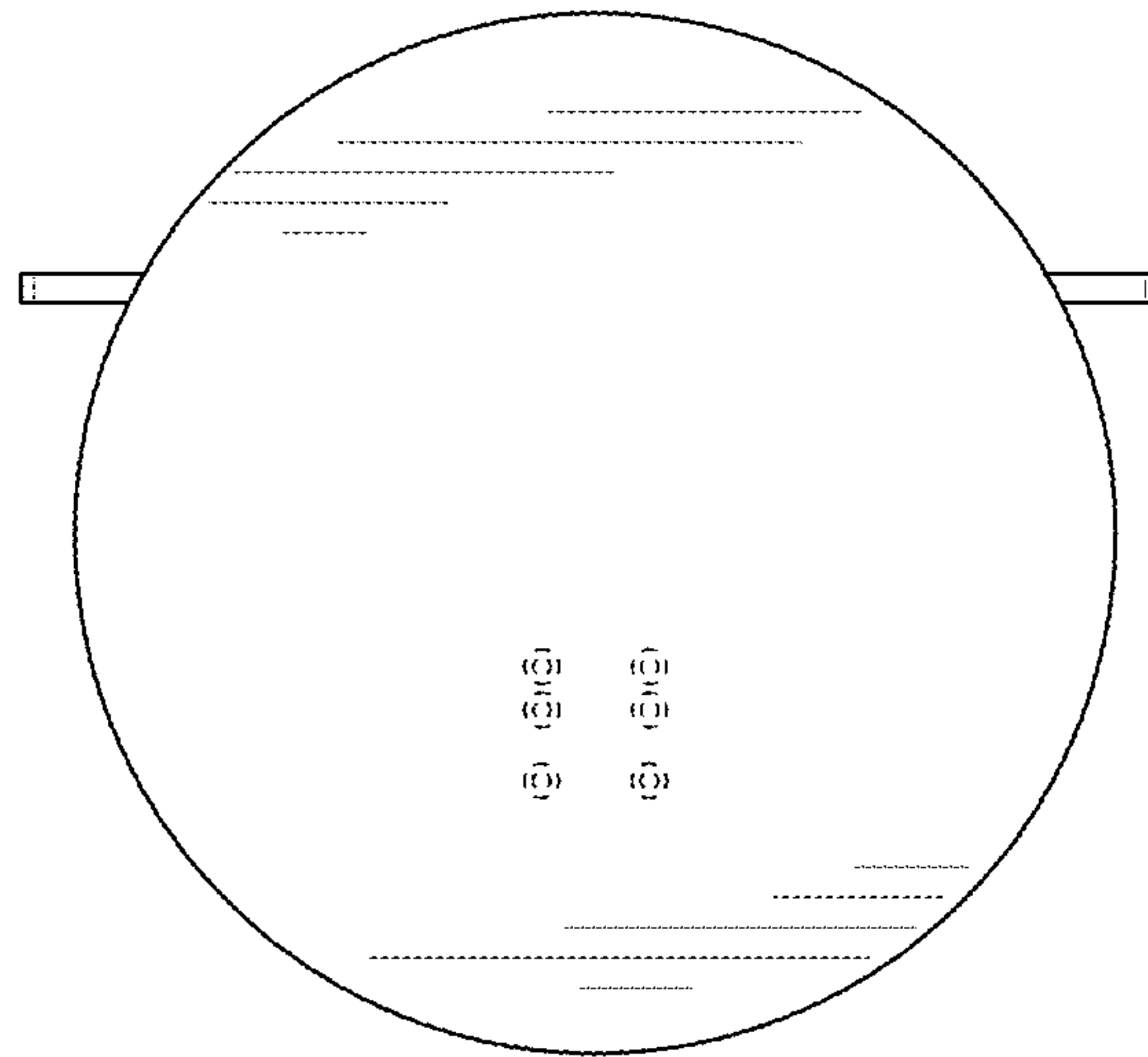


FIG. 8

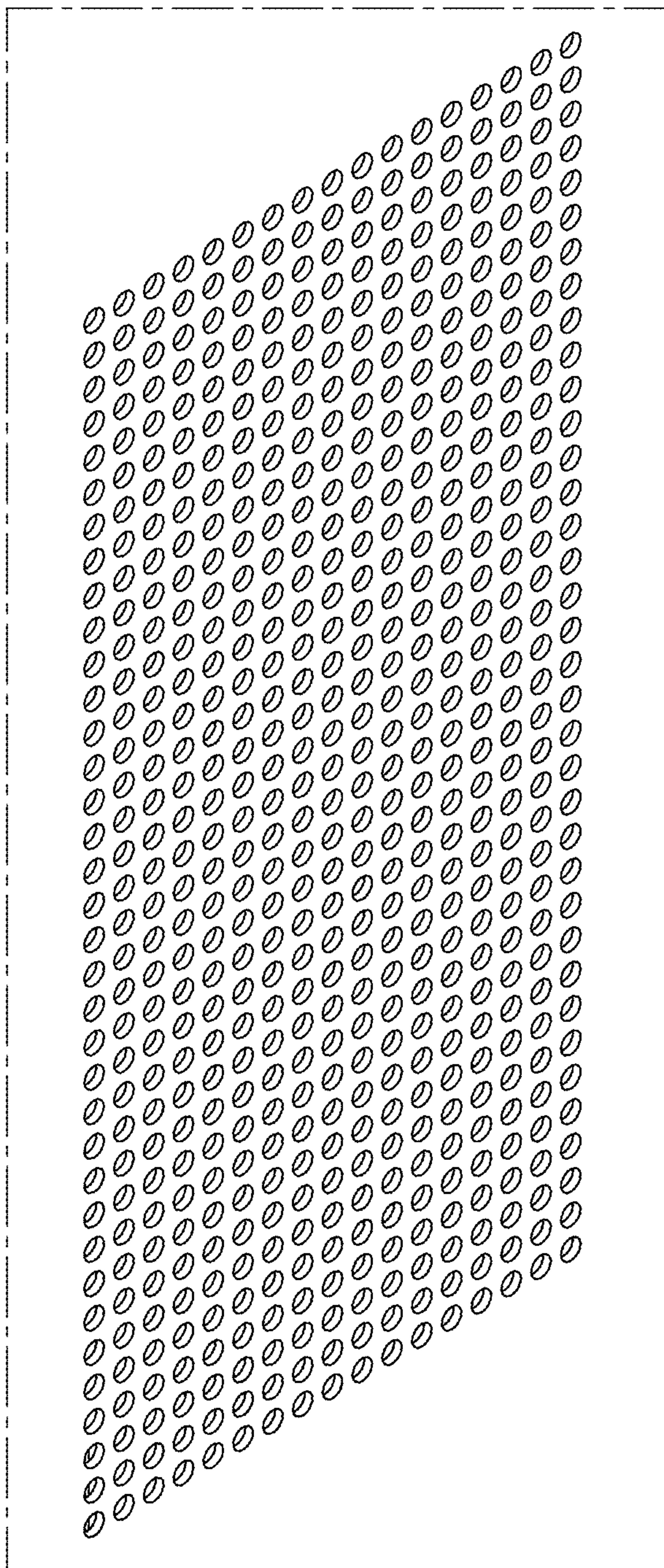


FIG. 9