



US00D951901S

(12) **United States Design Patent** (10) **Patent No.:** **US D951,901 S**
Kim (45) **Date of Patent:** **** May 17, 2022**

(54) **WIRELESS RADIO UNIT**
(71) Applicant: **Inseego Corp.**, San Diego, CA (US)
(72) Inventor: **Sean Kim**, San Diego, CA (US)
(73) Assignee: **INSEEGO CORP.**, San Diego, CA (US)
(**) Term: **15 Years**

D634,729 S * 3/2011 Endo D14/188
D693,798 S * 11/2013 Chuang D14/240
D728,467 S * 5/2015 Hasbrook D13/103
D733,043 S * 6/2015 Hasbrook D13/103
D747,356 S * 1/2016 Jou D14/496
D754,627 S * 4/2016 Fustino D14/188
D795,253 S * 8/2017 Kawano D14/348
D795,940 S * 8/2017 Huang D16/203
D815,054 S * 4/2018 Odryna D14/125
D869,411 S * 12/2019 Wang D14/125
D906,275 S * 12/2020 Zhang D14/172

(21) Appl. No.: **29/746,960**
(22) Filed: **Aug. 18, 2020**
(51) **LOC (13) Cl.** **14-03**
(52) **U.S. Cl.**
USPC **D14/188**
(58) **Field of Classification Search**
USPC D14/125, 167, 168, 170-172, 188, 193,
D14/196, 203.1, 203.2, 203.3, 203.4,
D14/203.5, 203.6, 203.7, 203.8, 204,
D14/209.1, 210-217, 219, 221, 222, 224,
D14/226, 240, 348, 433, 496-505;
D13/103
CPC . B60R 11/0217; G06F 1/1688; G10K 11/004;
G10K 9/22; H04R 1/02; H04R 1/021;
H04R 1/023; H04R 1/025; H04R 1/026;
H04R 1/028; H04R 1/323; H04R 1/403;
H04R 1/2803; H04R 1/2834; H04R 5/00;
H04R 5/02; H04R 9/06; H04R 2420/07;
H04R 2201/021; H04R 2400/00
See application file for complete search history.

* cited by examiner

Primary Examiner — Ramzi Almatrahi
(74) *Attorney, Agent, or Firm* — Sheppard, Mullin,
Richter & Hampton LLP; Hector A. Agdeppa; Daniel N.
Yannuzzi

(57) **CLAIM**

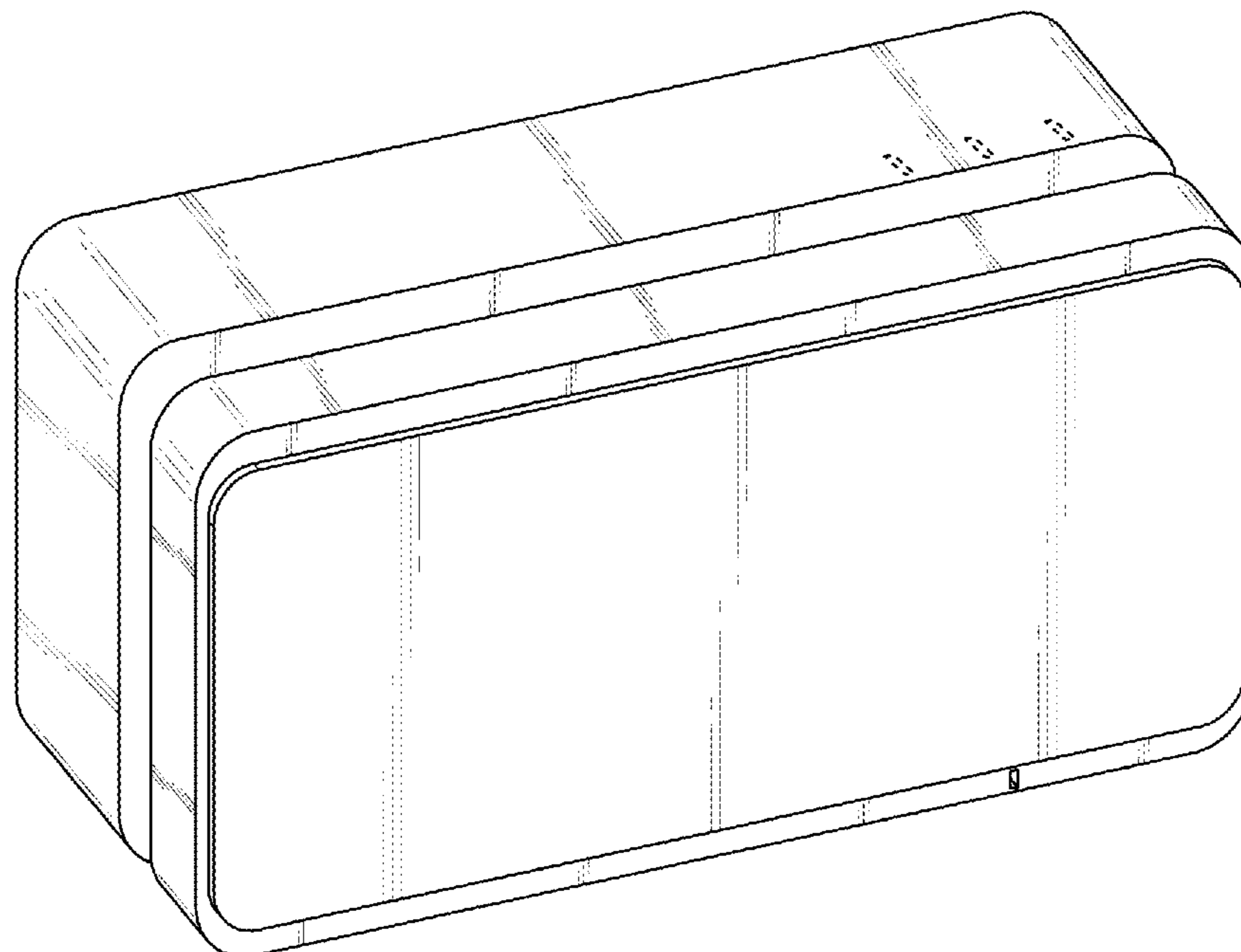
The ornamental design for a wireless radio unit, as shown and described.

DESCRIPTION

FIG. 1 is a top, front and left side perspective view of a wireless radio unit;
FIG. 2 is a top plan view thereof;
FIG. 3 is a bottom plan view thereof;
FIG. 4 is a right side elevation view thereof;
FIG. 5 is a left side elevation view thereof;
FIG. 6 is front elevation view thereof; and,
FIG. 7 is a rear elevation view thereof.
The broken lines depict portions of the wireless radio unit in which the design is embodied that form no part of the claimed design.

(56) **References Cited**
U.S. PATENT DOCUMENTS
D571,351 S * 6/2008 Sogabe D14/168
D620,953 S * 8/2010 Andre D14/496

1 Claim, 7 Drawing Sheets



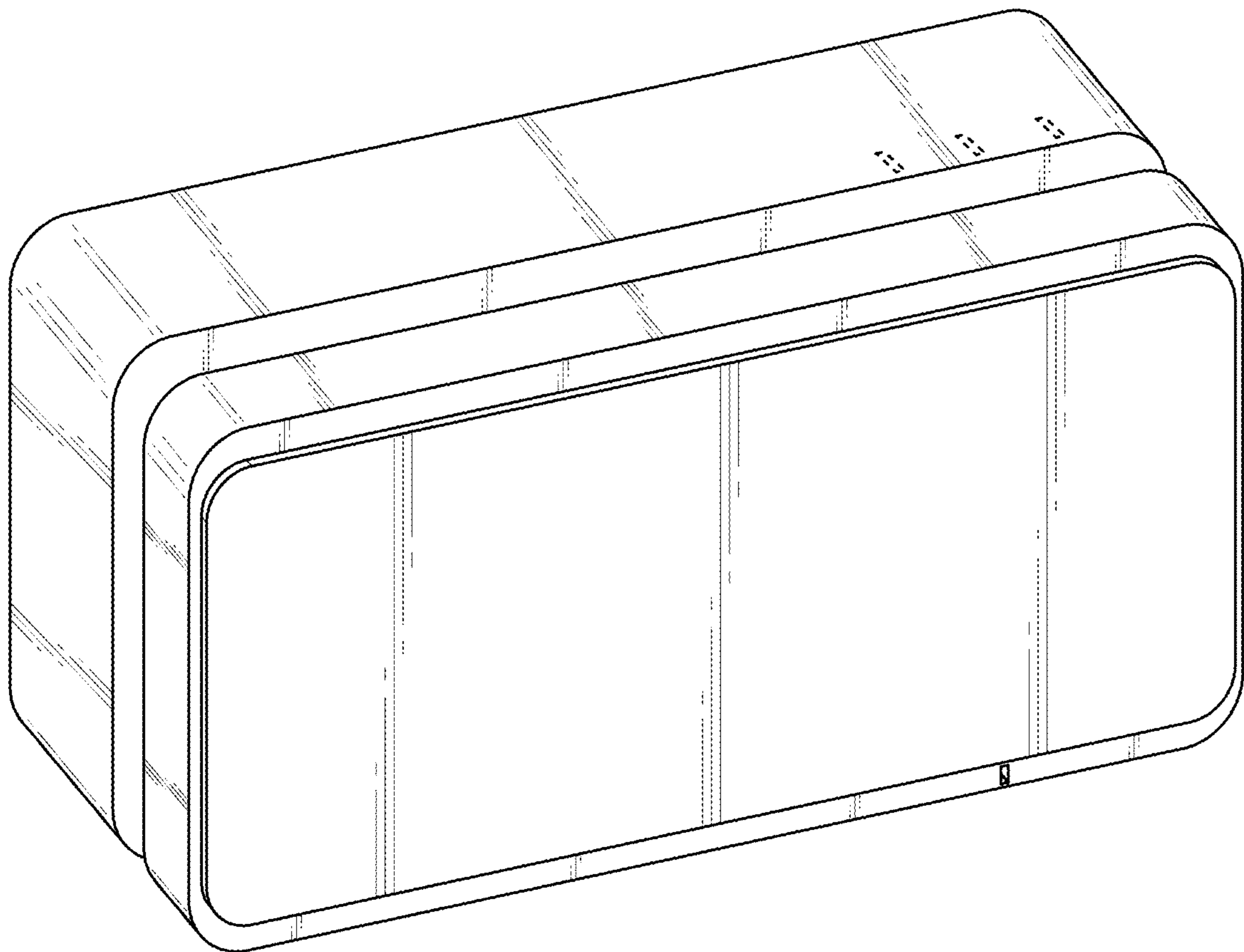


FIG. 1

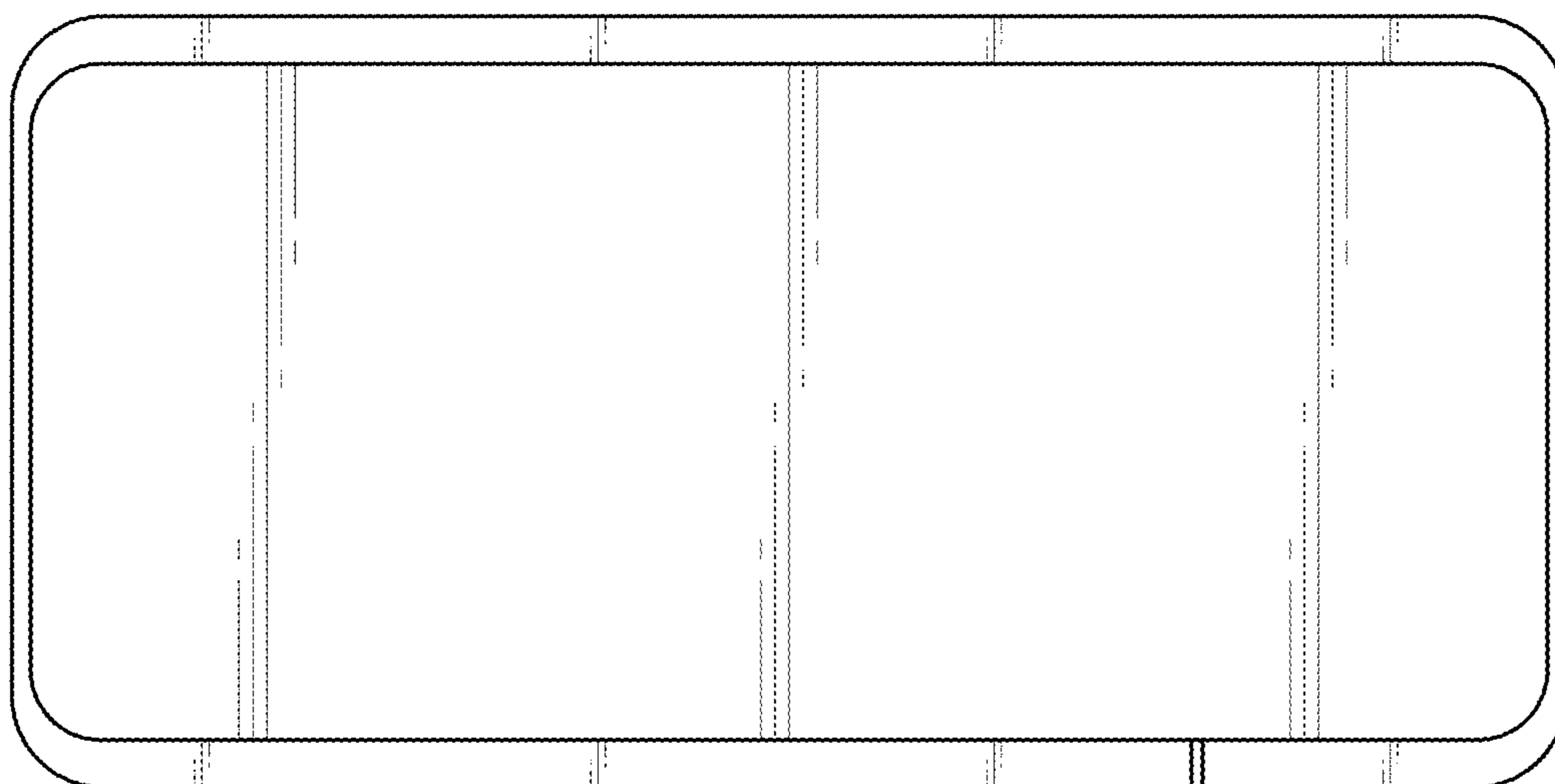


FIG. 2

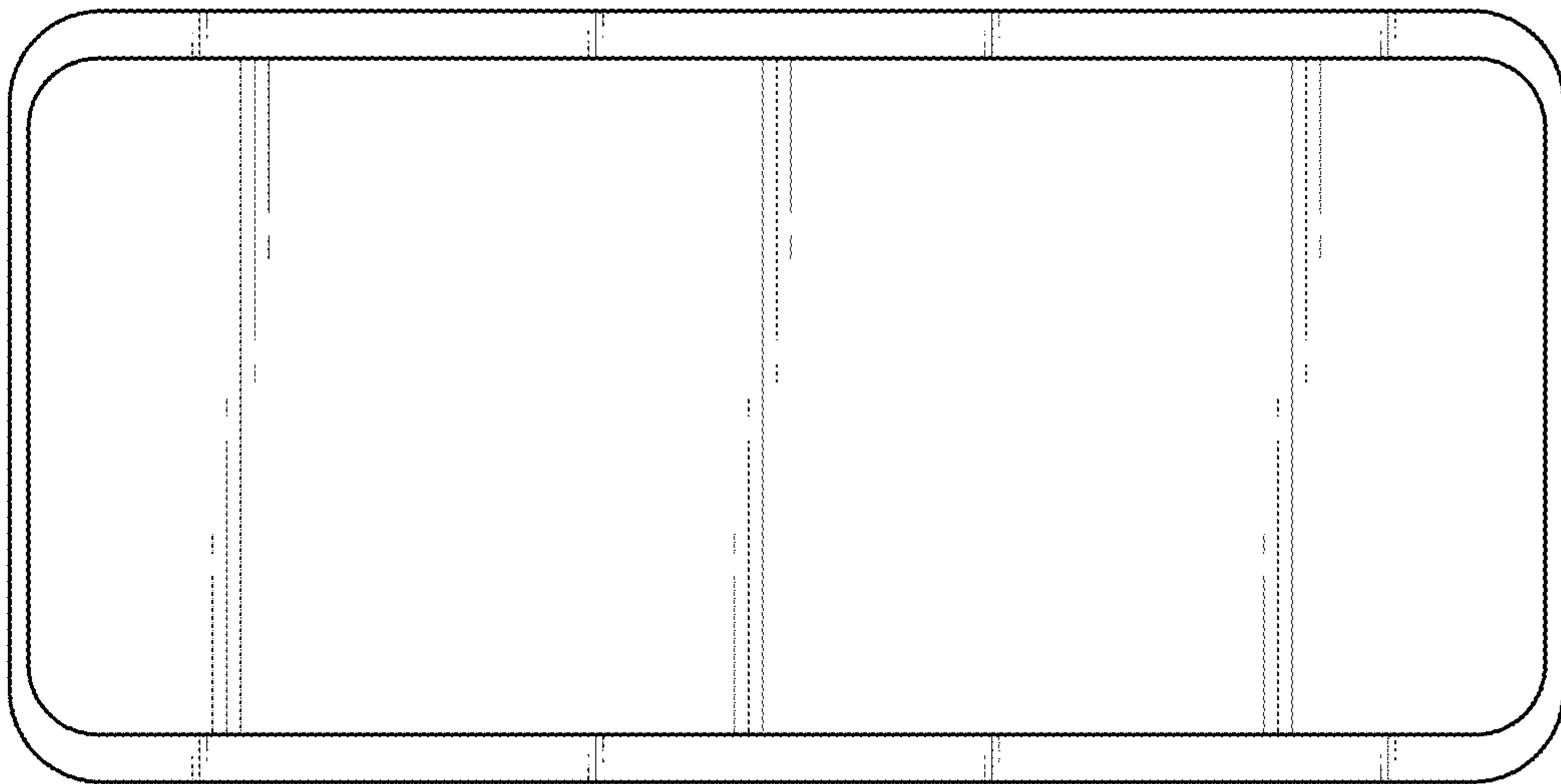


FIG. 3

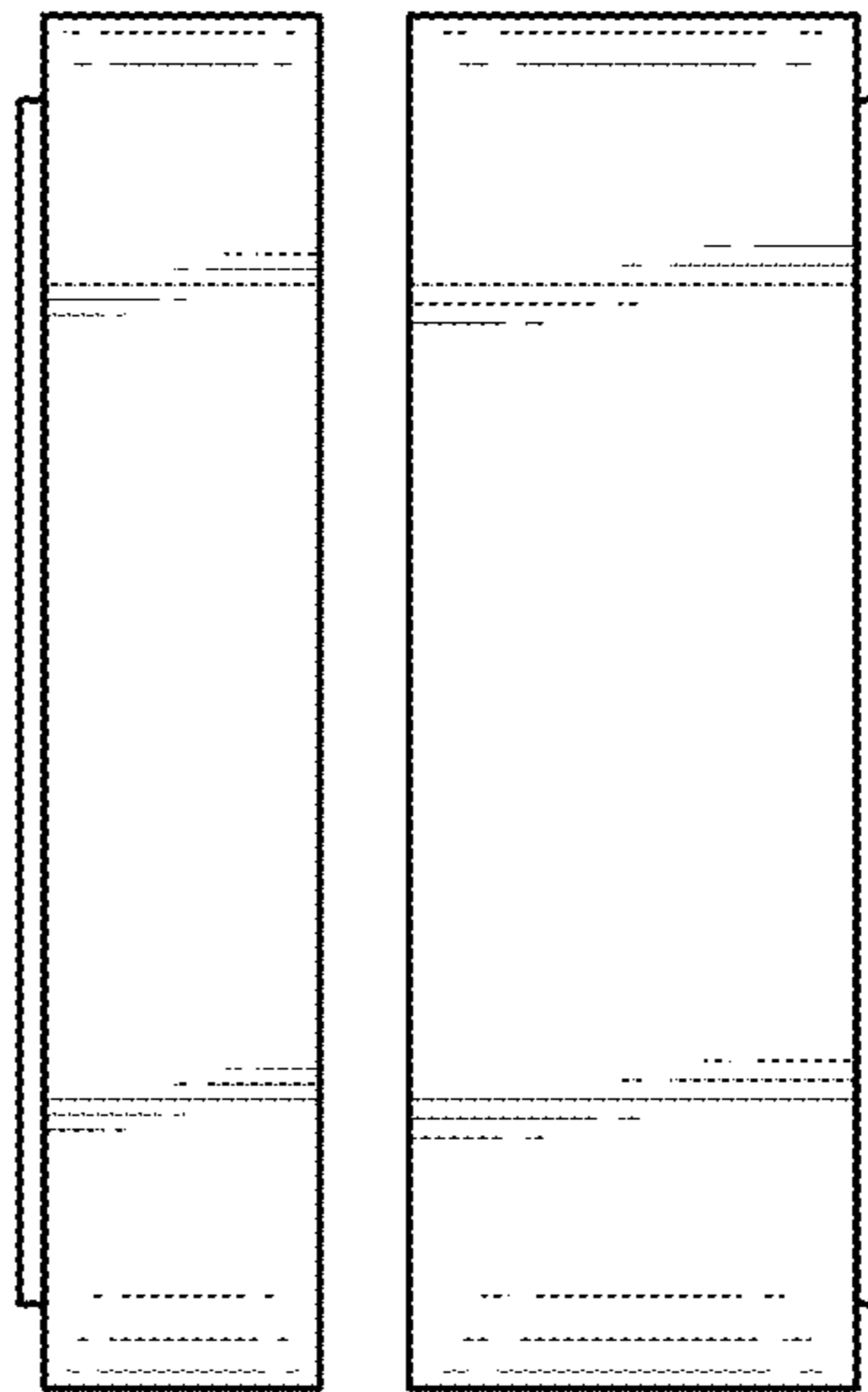


FIG. 4

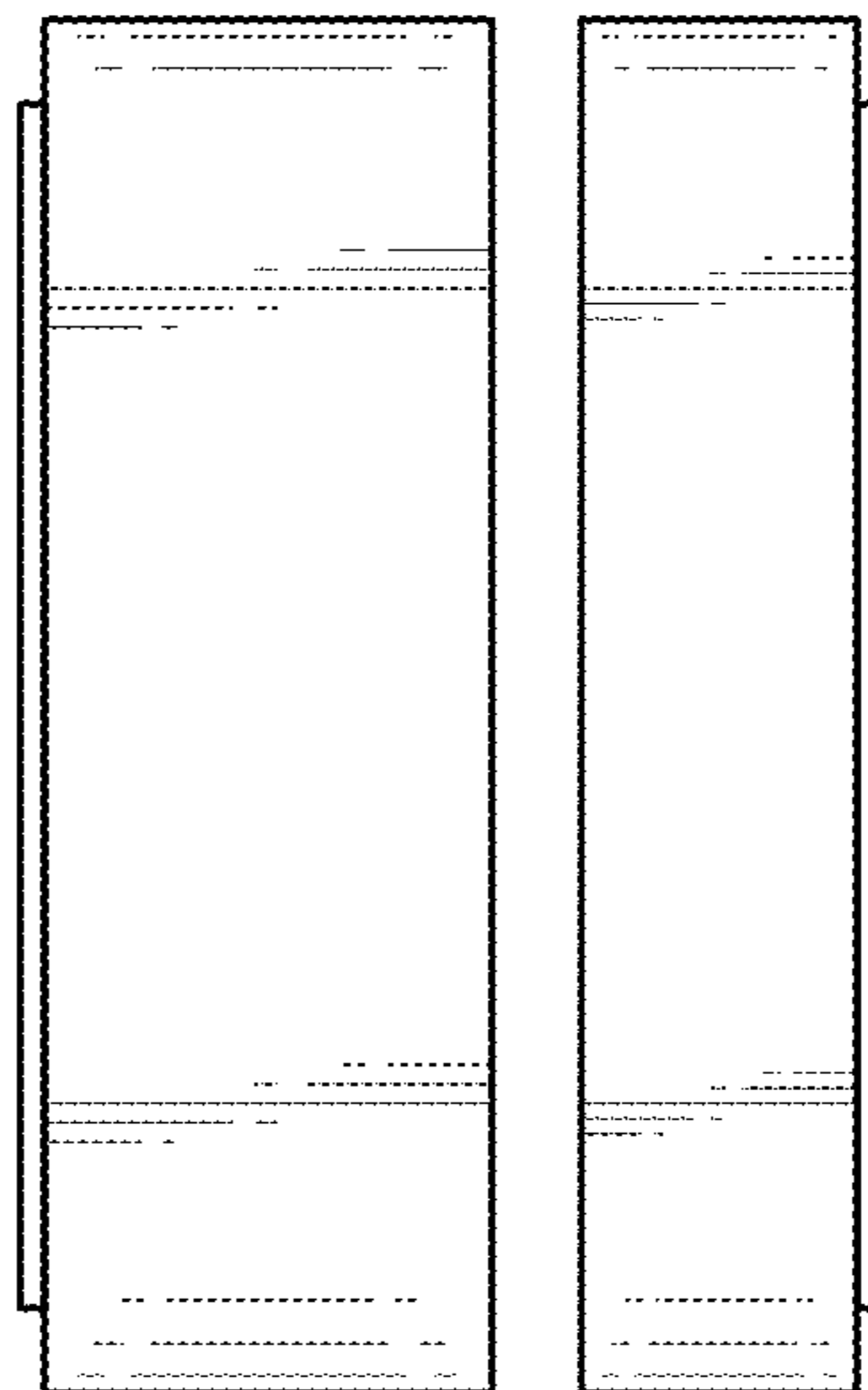


FIG. 5

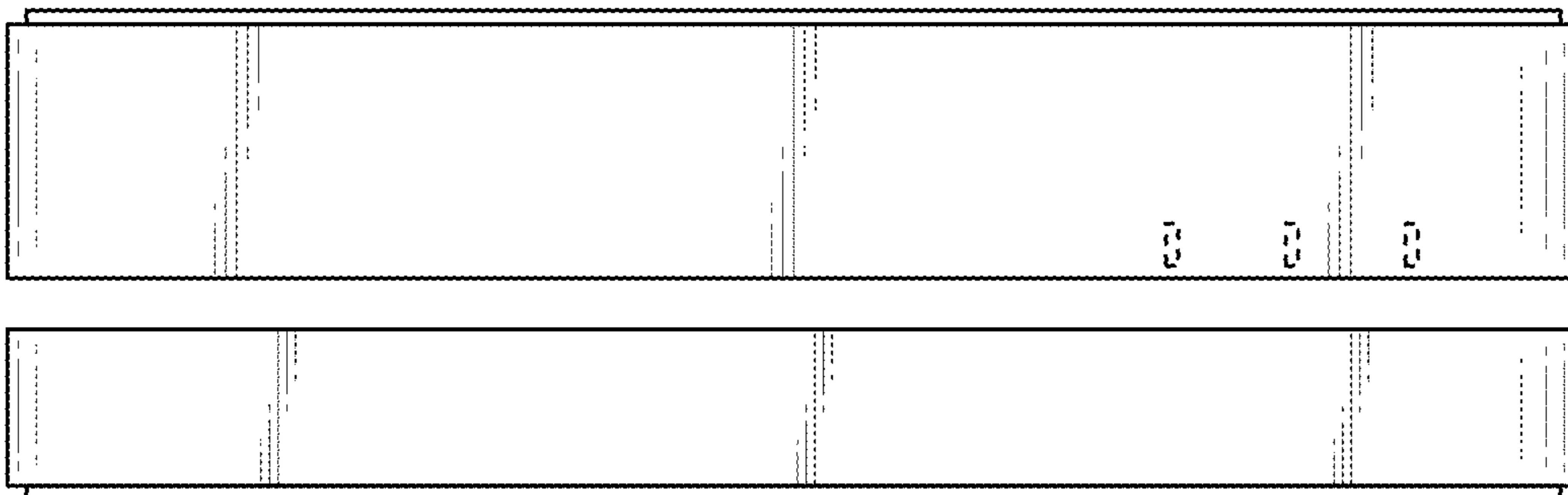


FIG. 6

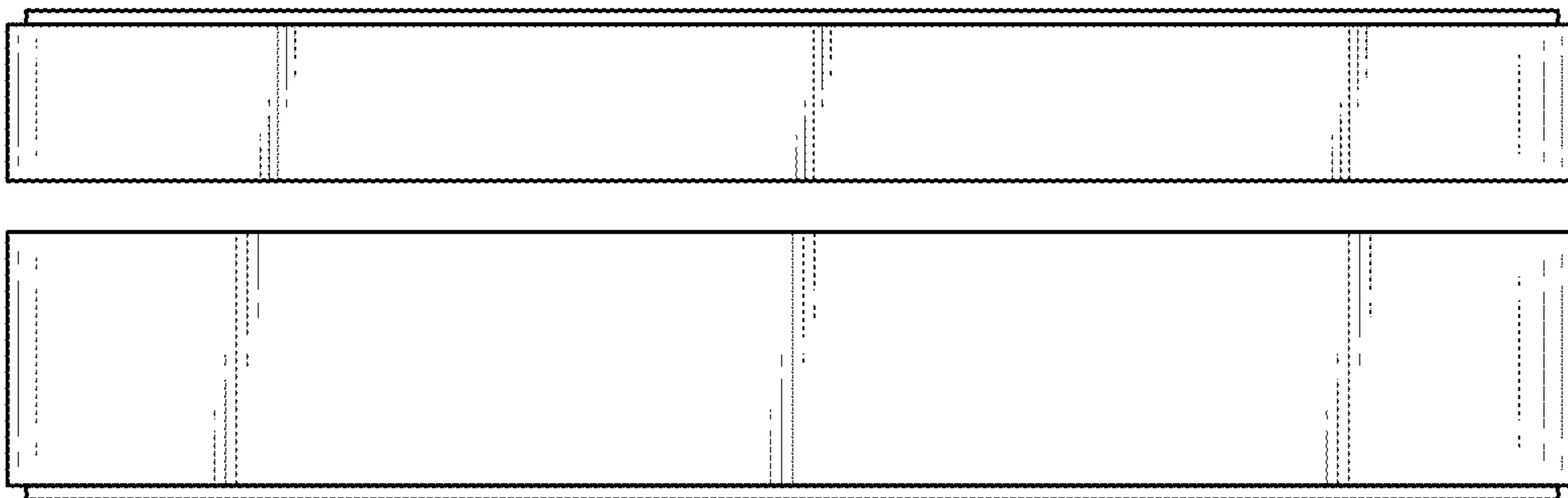


FIG. 7