



US00D951900S

(12) **United States Design Patent** (10) **Patent No.:** **US D951,900 S**
Shan et al. (45) **Date of Patent:** **** May 17, 2022**

(54) **SOUND COLLECTION DEVICE**
 (71) Applicant: **Keeson Technology Corporation Limited, Zhejiang (CN)**
 (72) Inventors: **Huafeng Shan, Zhejiang (CN); Xuegang Chen, Zhejiang (CN); Guofeng Shen, Zhejiang (CN); Hui Cao, Zhejiang (CN); Wei Wang, Zhejiang (CN); Xiaolei Zhao, Zhejiang (CN); Yuxiang Ren, Zhejiang (CN)**
 (73) Assignee: **Keeson Technology Corporation Limited, Jiaxing (CN)**

(56) **References Cited**

U.S. PATENT DOCUMENTS

D592,635 S	*	5/2009	Obata	D14/167
D595,686 S	*	7/2009	Mosher	D14/158
D635,122 S	*	3/2011	Sakai	D14/167
D646,261 S	*	10/2011	Hayashi	D14/167
D655,270 S	*	3/2012	Jain	D14/167
D669,880 S	*	10/2012	Okura	D14/167
D710,817 S	*	8/2014	Ushio	D14/167
D719,127 S	*	12/2014	Nishiwaki	D14/167
D768,107 S	*	10/2016	Tajima	D14/167
D805,052 S	*	12/2017	Suzuki	D14/167
D813,835 S	*	3/2018	Agranat	D14/167
D825,520 S	*	8/2018	Zhang	D14/167
D937,240 S	*	11/2021	Chen	D14/167

(**) Term: **15 Years**

* cited by examiner

(21) Appl. No.: **29/762,080**

Primary Examiner — Austin Murphy

(22) Filed: **Dec. 15, 2020**

(57) **CLAIM**

The ornamental design for a sound collection device, as shown and described.

(30) **Foreign Application Priority Data**

DESCRIPTION

Jun. 15, 2020 (CN) 202030305065.3

(51) **LOC (13) Cl.** **14-01**

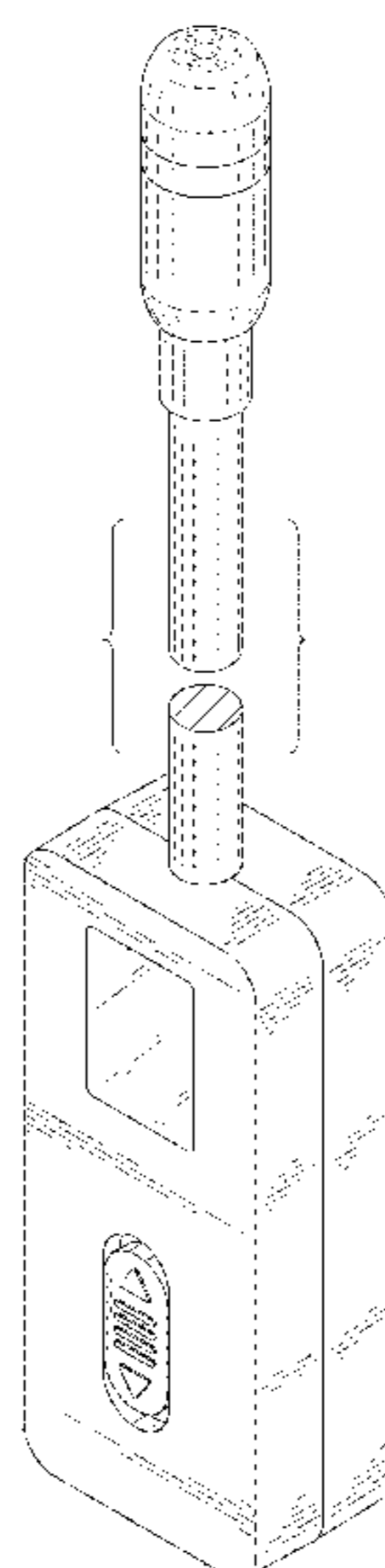
(52) **U.S. Cl.**
 USPC **D14/167**

(58) **Field of Classification Search**
 USPC D14/167, 154, 168, 188, 496, 156, 160, D14/161, 162, 163, 164, 165, 158, 203.1, D14/341, 346, 342, 345, 225, 226, 228, D14/227, 214; 455/351, 350; D19/60, D19/62; D21/330; 369/44.14, 44.32; 700/94; D16/202
 CPC H04N 13/004; H04N 5/85; H04N 9/8227; H04N 13/0055; H04N 19/597; H04N 19/61; H04N 21/42646; H04N 21/4325; H04N 1/234327; G11B 27/034; G11B 27/11

FIG. 1 is a front, top and right side perspective view of a sound collection device showing our new design;
 FIG. 2 is a rear, bottom and left side perspective view thereof;
 FIG. 3 is a front elevational view thereof;
 FIG. 4 is a rear elevational view thereof;
 FIG. 5 is a left side view thereof;
 FIG. 6 is a right side view thereof;
 FIG. 7 is a top plan view thereof;
 FIG. 8 is a bottom plan view thereof; and,
 FIG. 9 is a rear, bottom and right side perspective view showing the sound collection device in a use state.
 The broken lines in the drawings illustrate portions of the sound collection device which form no part of the claimed design. A portion of the sound collection device is broken away to indicate that no particular length is claimed. The oblique shade lines in the drawings represent reflective surfaces.

See application file for complete search history.

1 Claim, 9 Drawing Sheets



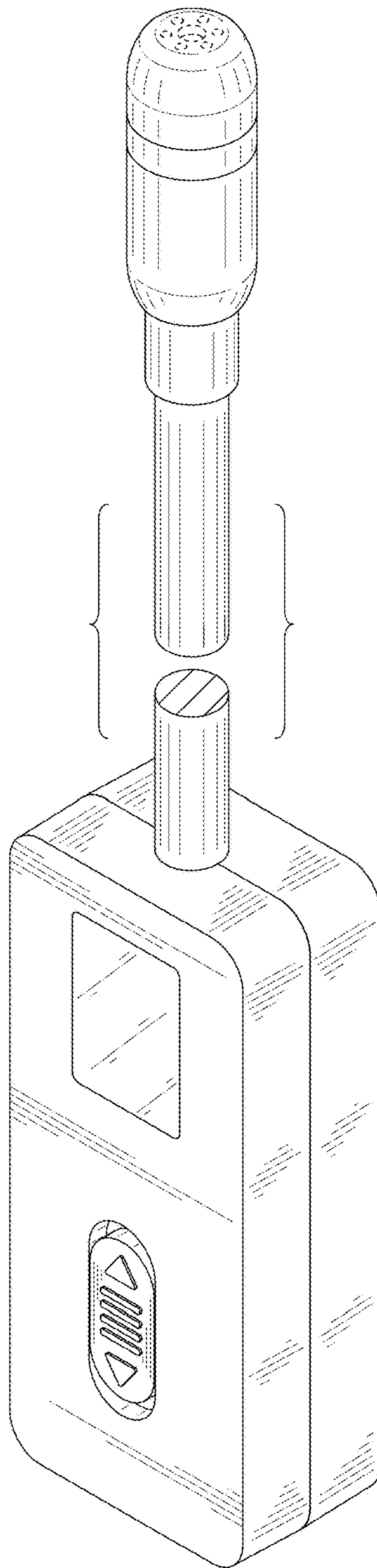


FIG. 1

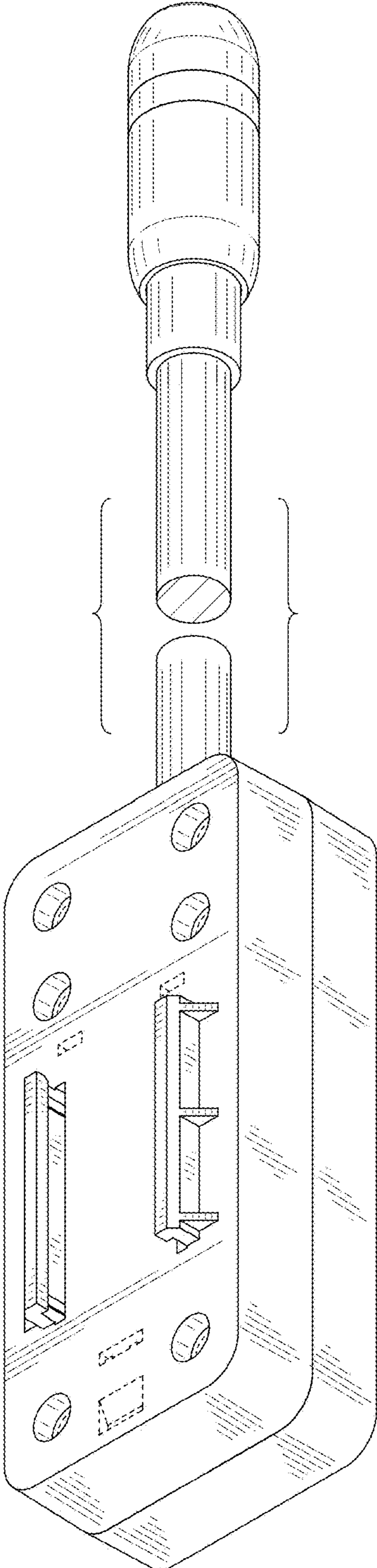


FIG. 2

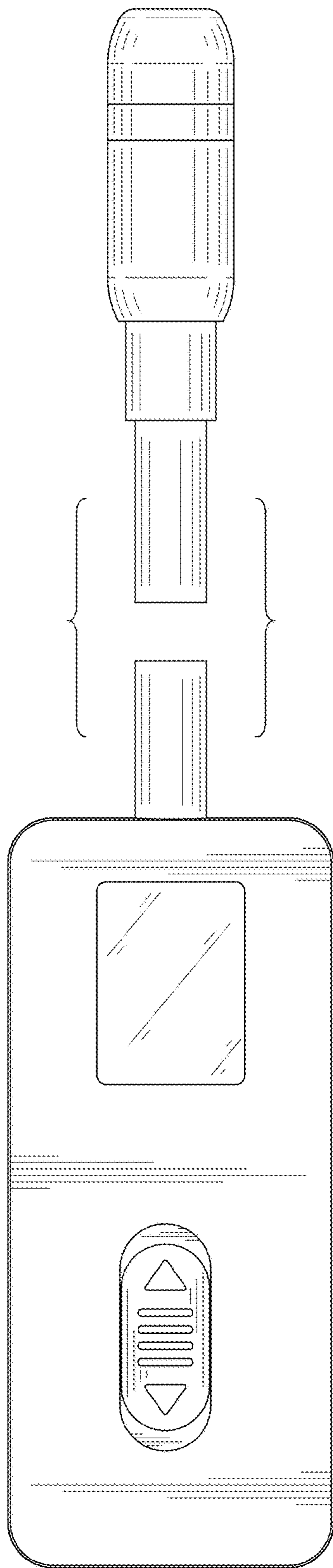


FIG. 3

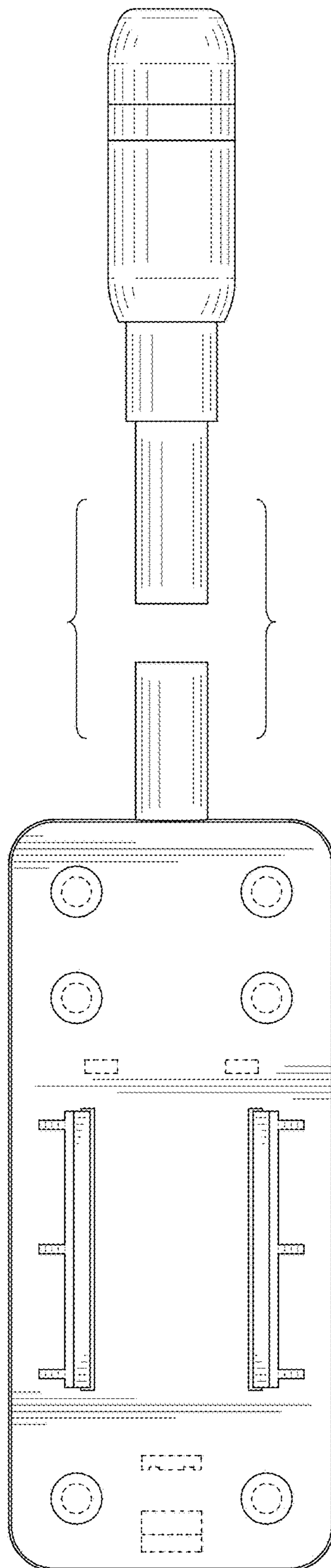


FIG. 4

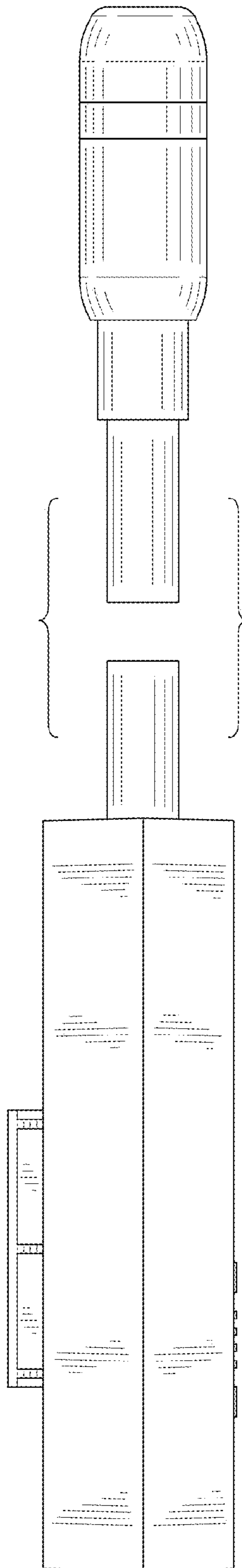


FIG. 5

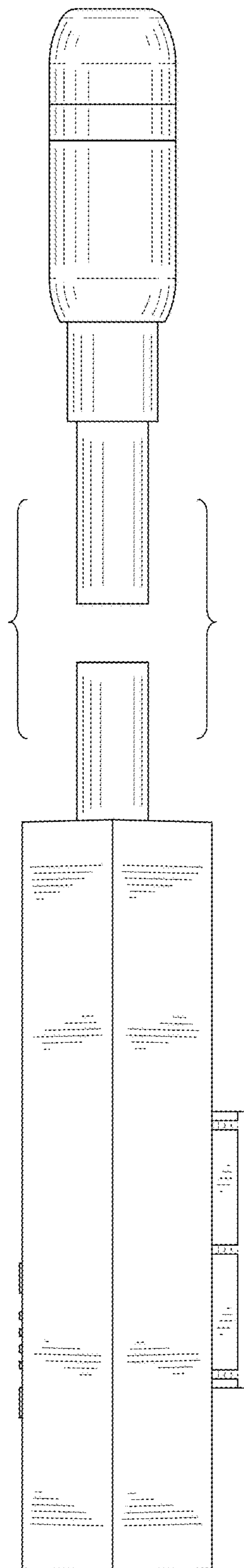


FIG. 6

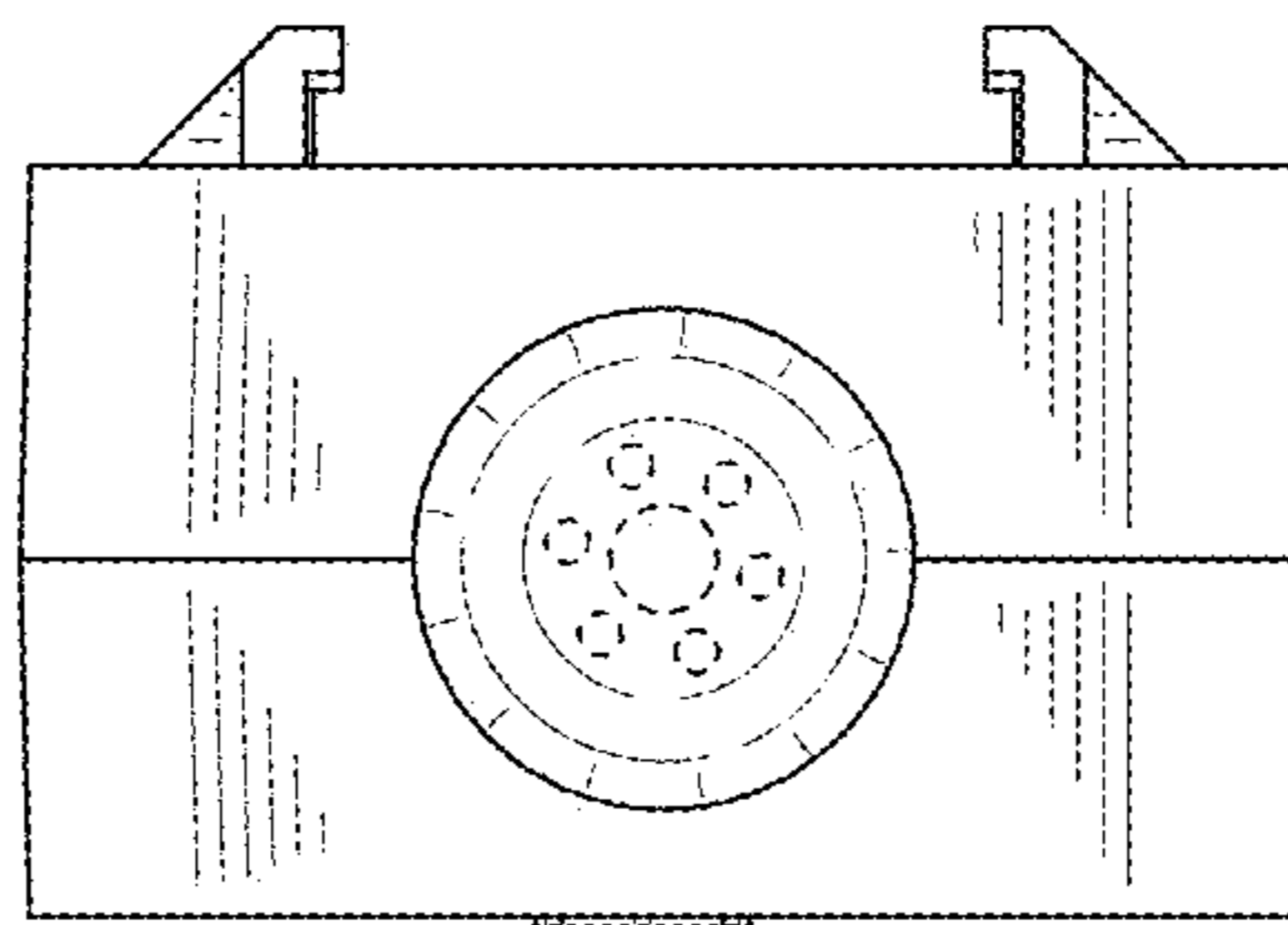


FIG. 7

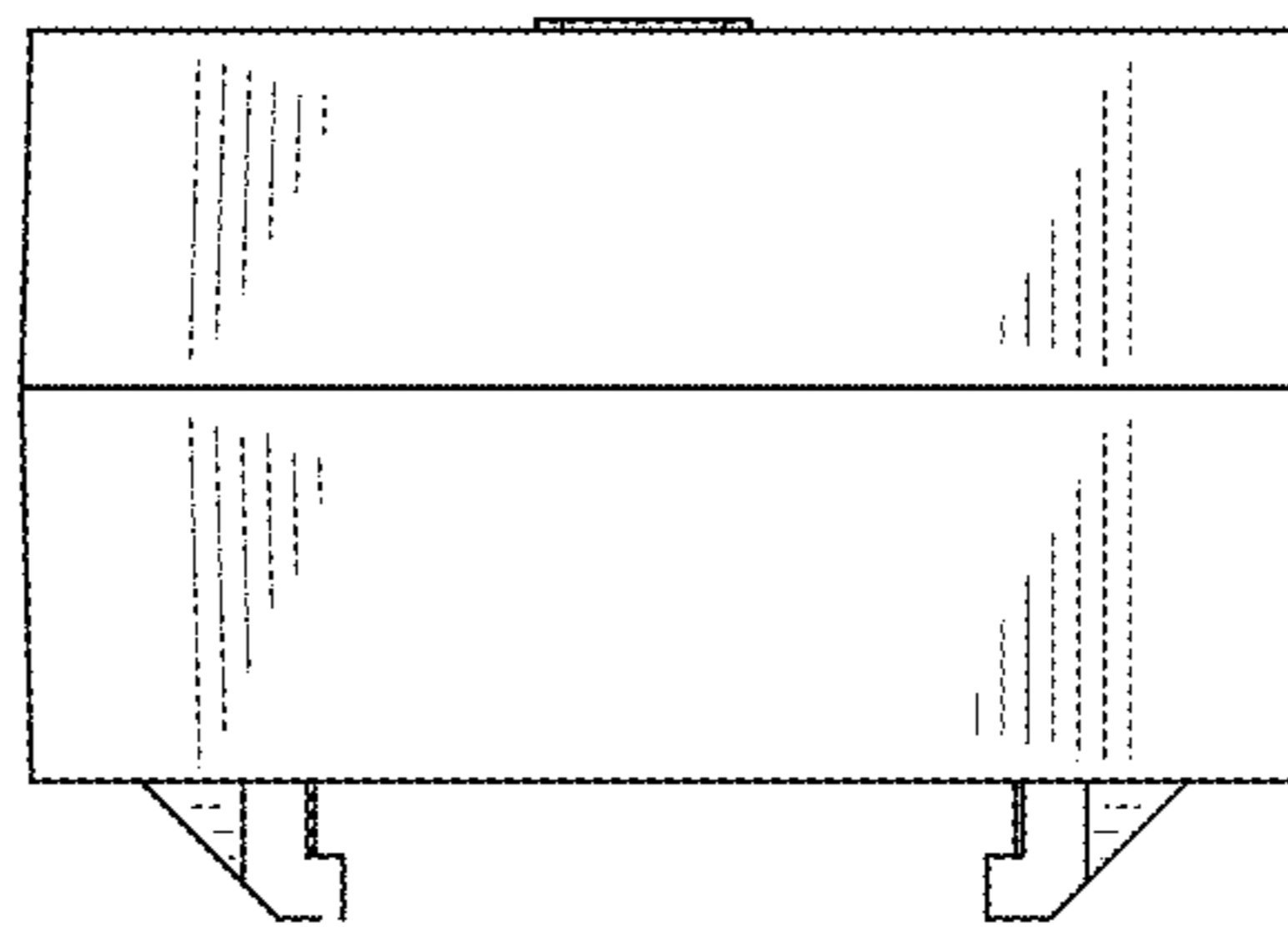


FIG. 8

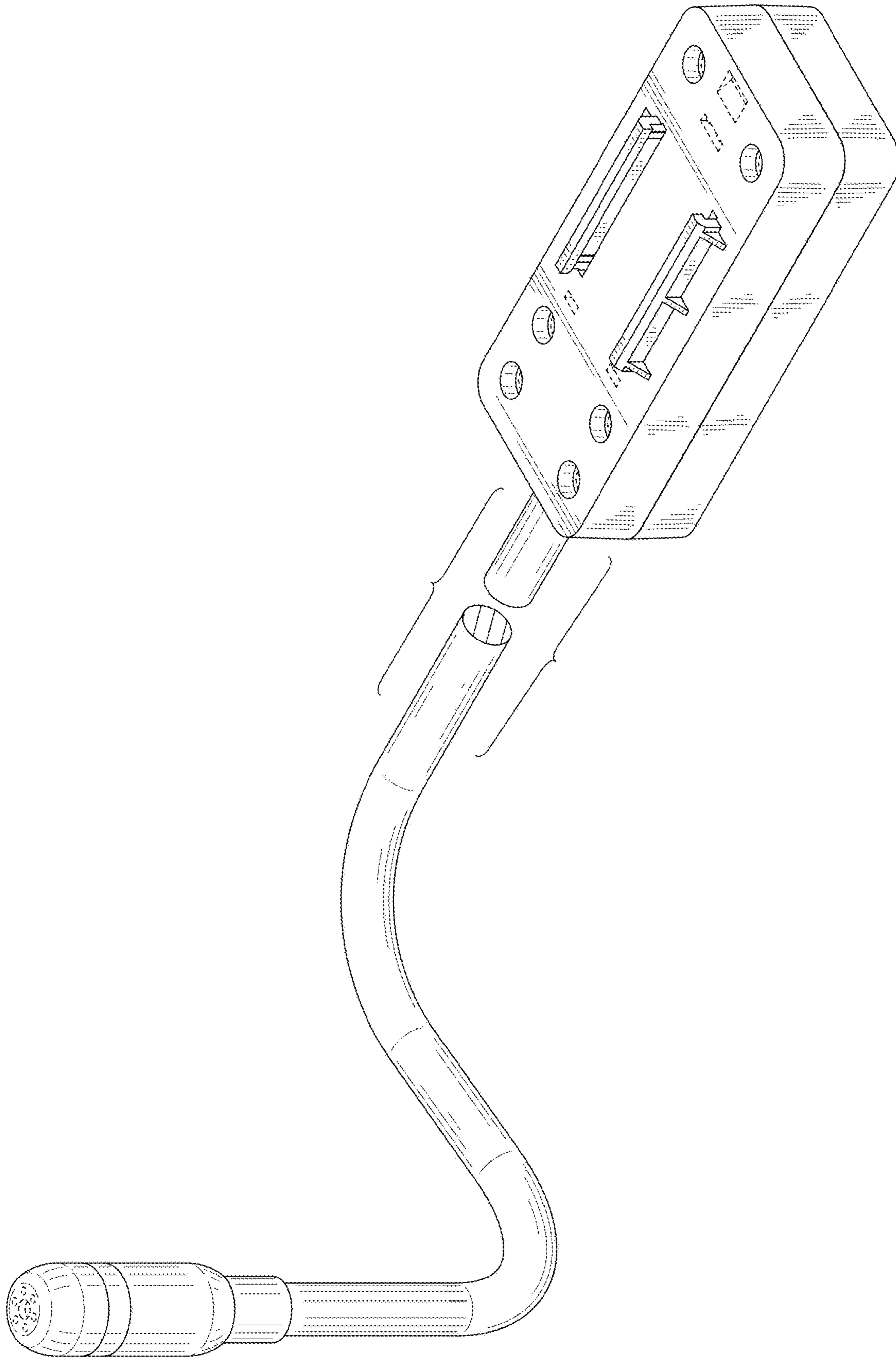


FIG. 9