



US00D951899S

(12) **United States Design Patent**
Cai et al.

(10) **Patent No.:** **US D951,899 S**
(45) **Date of Patent:** **** May 17, 2022**

(54) **BLUETOOTH ADAPTER**

(71) Applicant: **Beijing Hai Yi Tong Zhan Information Technology Co., Ltd., Beijing (CN)**

(72) Inventors: **Jieyu Cai, Beijing (CN); Lihua Cui, Beijing (CN); Xiujun Yao, Beijing (CN)**

(73) Assignee: **Beijing Hai Yi Tong Zhan Information Technology Co., Ltd., Beijing (CN)**

(**) Term: **15 Years**

(21) Appl. No.: **29/750,422**

(22) Filed: **Sep. 14, 2020**

(30) **Foreign Application Priority Data**

Apr. 10, 2020 (CN) 202030138412.8

(51) **LOC (13) Cl.** **14-02**

(52) **U.S. Cl.**
USPC **D14/155; D14/433**

(58) **Field of Classification Search**
USPC D14/356, 432-434, 453, 454, 511, 203.8, D14/209.1, 238.1, 240, 125, 155; 439/638, 928, 105, 502; 710/303, 304; 361/679.41, 679.55, 679.56; D13/110, D13/133, 146
CPC H01R 13/71; H01R 13/6271; H01R 24/62; H01R 13/652
See application file for complete search history.

(56) **References Cited**

U.S. PATENT DOCUMENTS

D546,328 S * 7/2007 Kobayakawa D14/480.4
D597,068 S * 7/2009 Whang D14/203.7

D650,391 S * 12/2011 Liang D14/480.7
D658,635 S * 5/2012 Hou D14/218
D672,351 S * 12/2012 Camacho D14/435.1
D721,374 S * 1/2015 Liu D14/433
D735,178 S * 7/2015 Yoon D14/240
D774,042 S * 12/2016 Cobbett D14/480.4
D816,025 S * 4/2018 Thompson D13/108
D853,348 S * 7/2019 Liu D14/155
D863,248 S * 10/2019 Liu D14/155
D885,374 S * 5/2020 Gao D14/240
D905,693 S * 12/2020 Xie D14/435.1
D917,479 S * 4/2021 Deng D14/388

(Continued)

FOREIGN PATENT DOCUMENTS

JP D1595889 S 1/2018

OTHER PUBLICATIONS

Taiwanese Office Action dated May 24, 2021 in connection with Taiwanese Application No. 109305167.

Primary Examiner — Austin Murphy

(74) *Attorney, Agent, or Firm* — Wolf, Greenfield & Sacks, P.C.

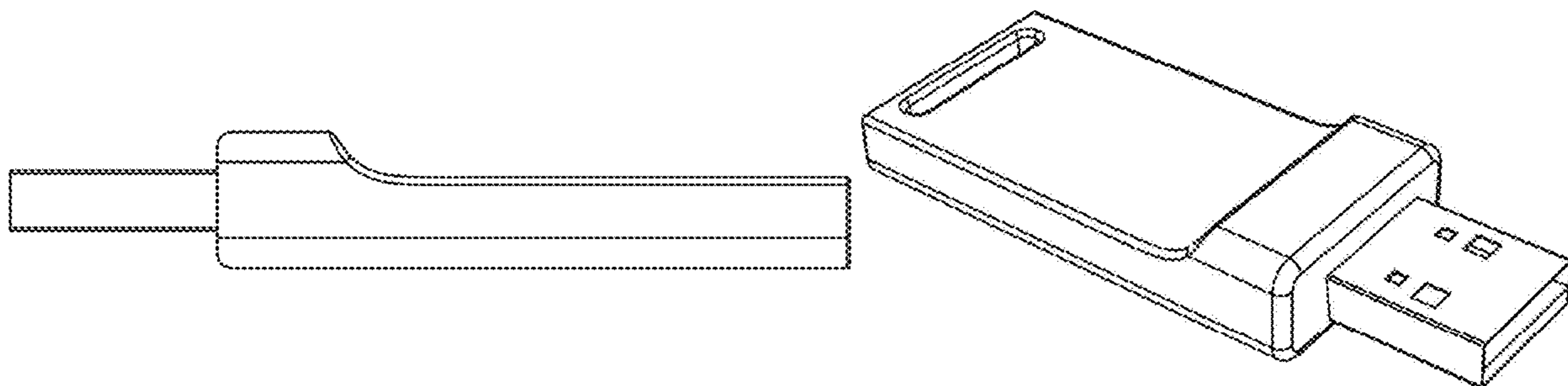
(57) **CLAIM**

The ornamental design for a Bluetooth adapter, as shown and described.

DESCRIPTION

FIG. 1 is a front view of the new design, showing a Bluetooth adapter;
FIG. 2 is a back view of the Bluetooth adapter;
FIG. 3 is a left view of the Bluetooth adapter;
FIG. 4 is a right view of the Bluetooth adapter;
FIG. 5 is a top view of the Bluetooth adapter;
FIG. 6 is a bottom view of the Bluetooth adapter;
FIG. 7 is a perspective view of the Bluetooth adapter; and,
FIG. 8 is another perspective view of the Bluetooth adapter.

1 Claim, 8 Drawing Sheets



(56)

References Cited

U.S. PATENT DOCUMENTS

D933,652 S * 10/2021 Gospodinov D14/358
D933,653 S * 10/2021 Gospodinov D14/358

* cited by examiner



Fig. 1



Fig.2

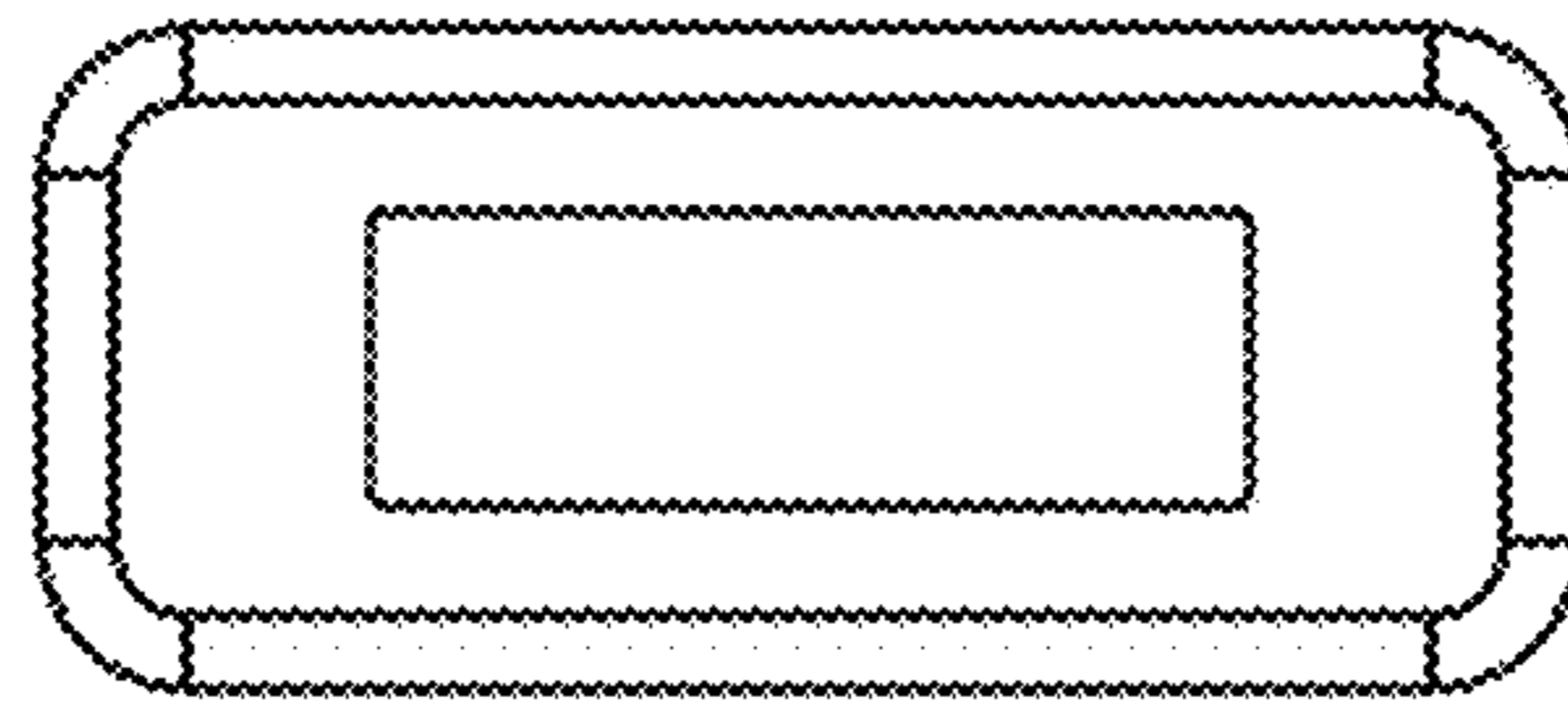


Fig.3

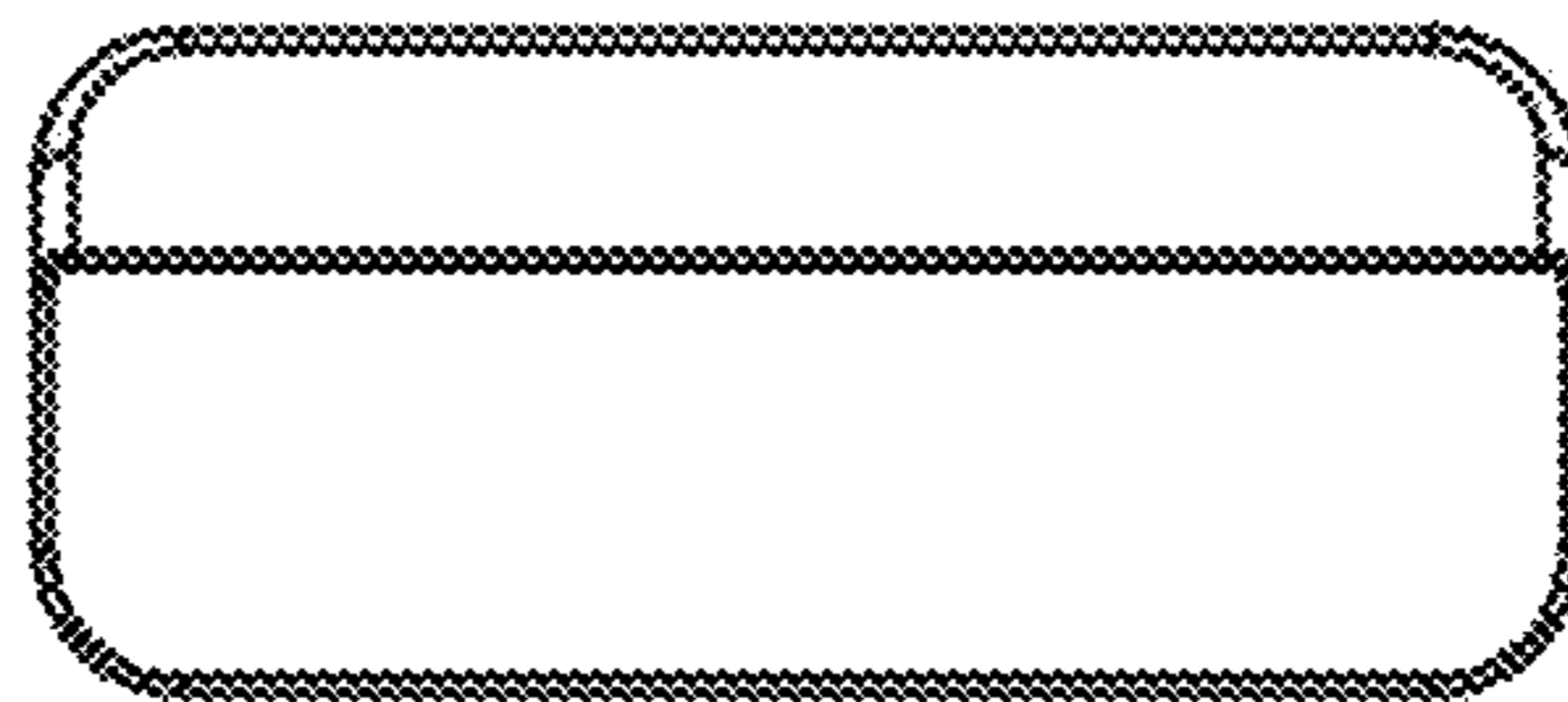


Fig.4

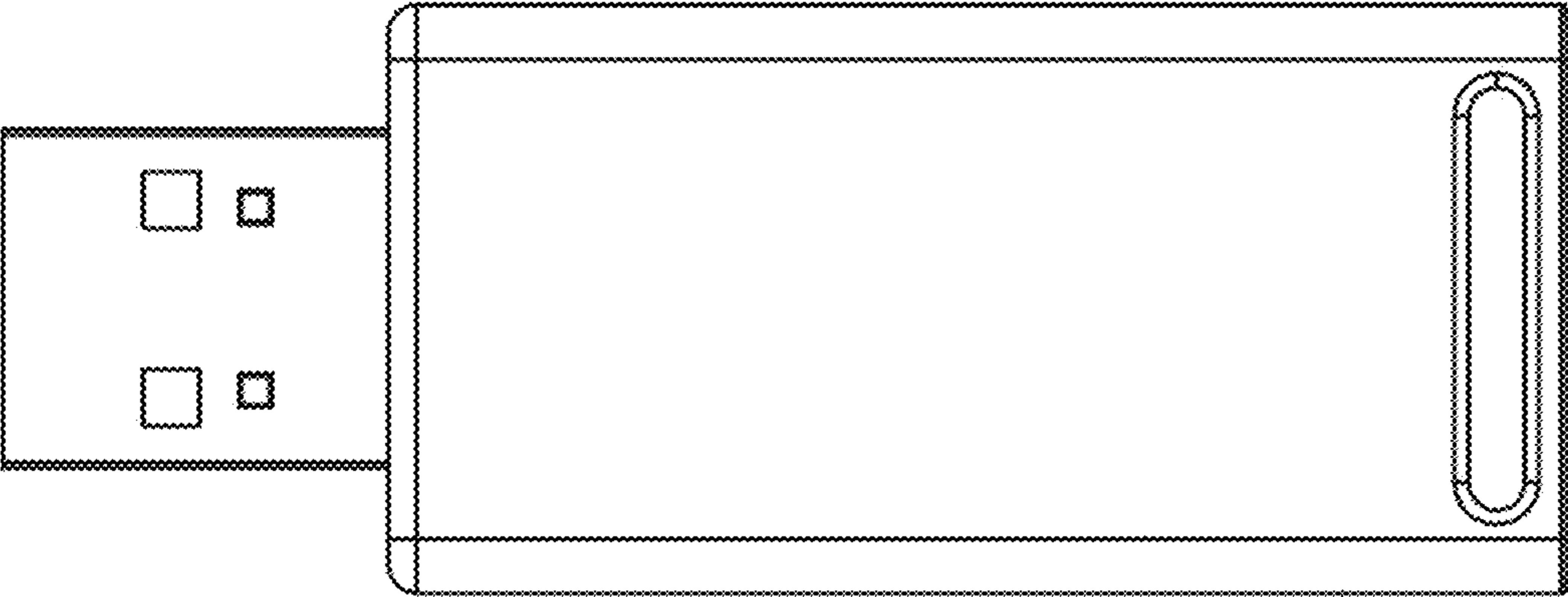


Fig.5

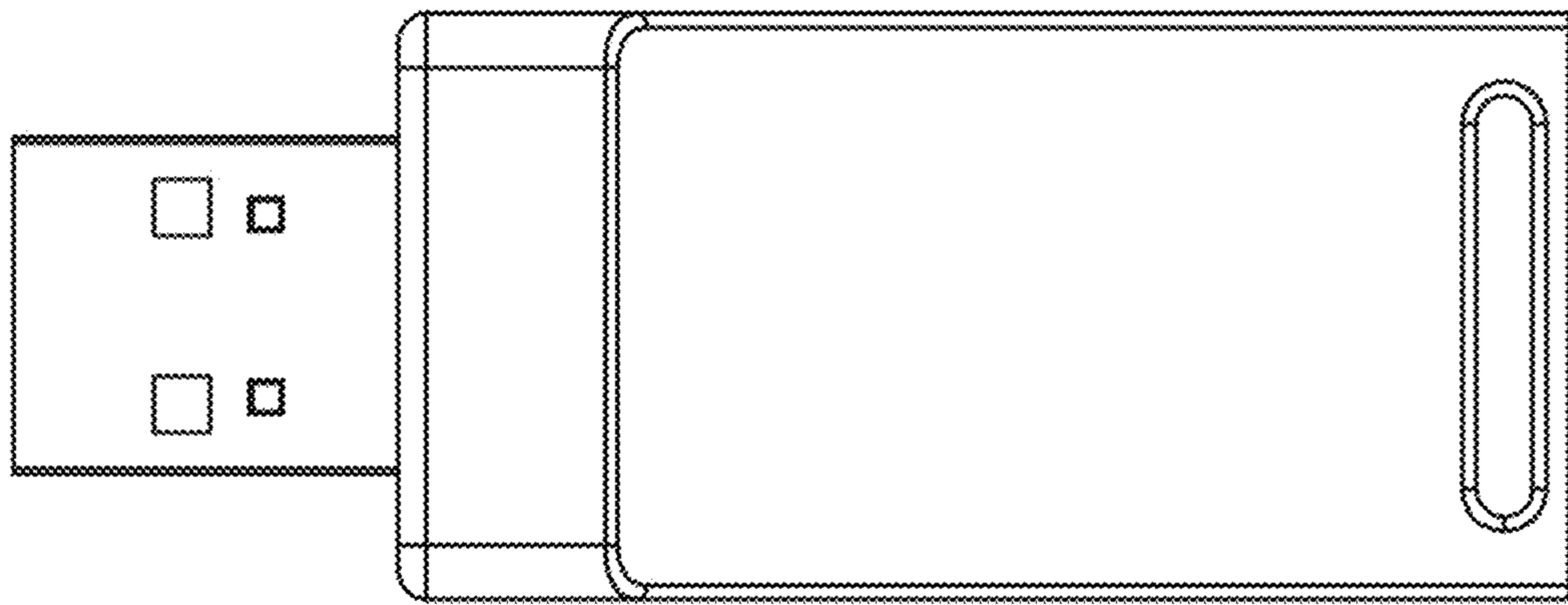


Fig.6

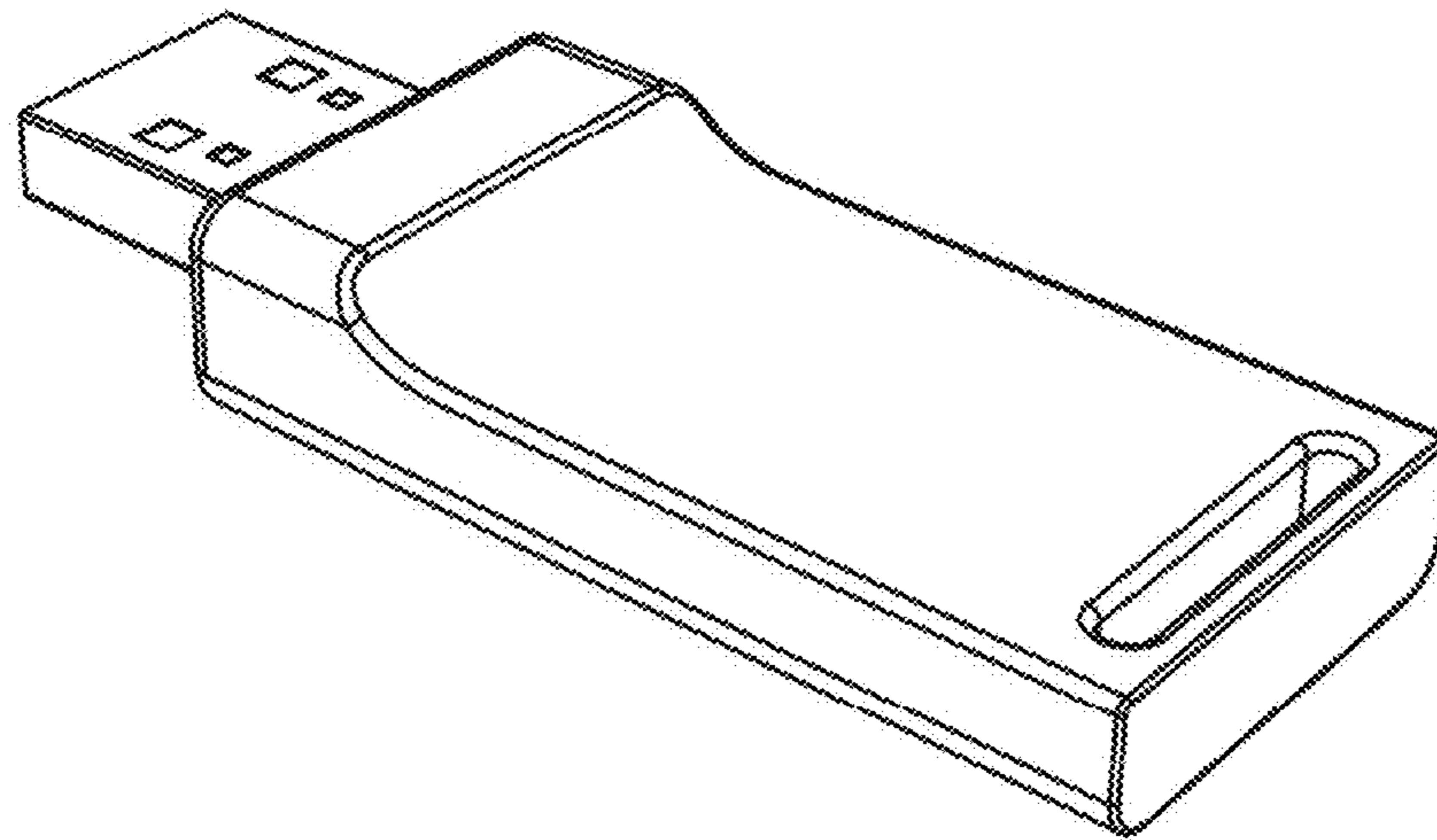


Fig.7

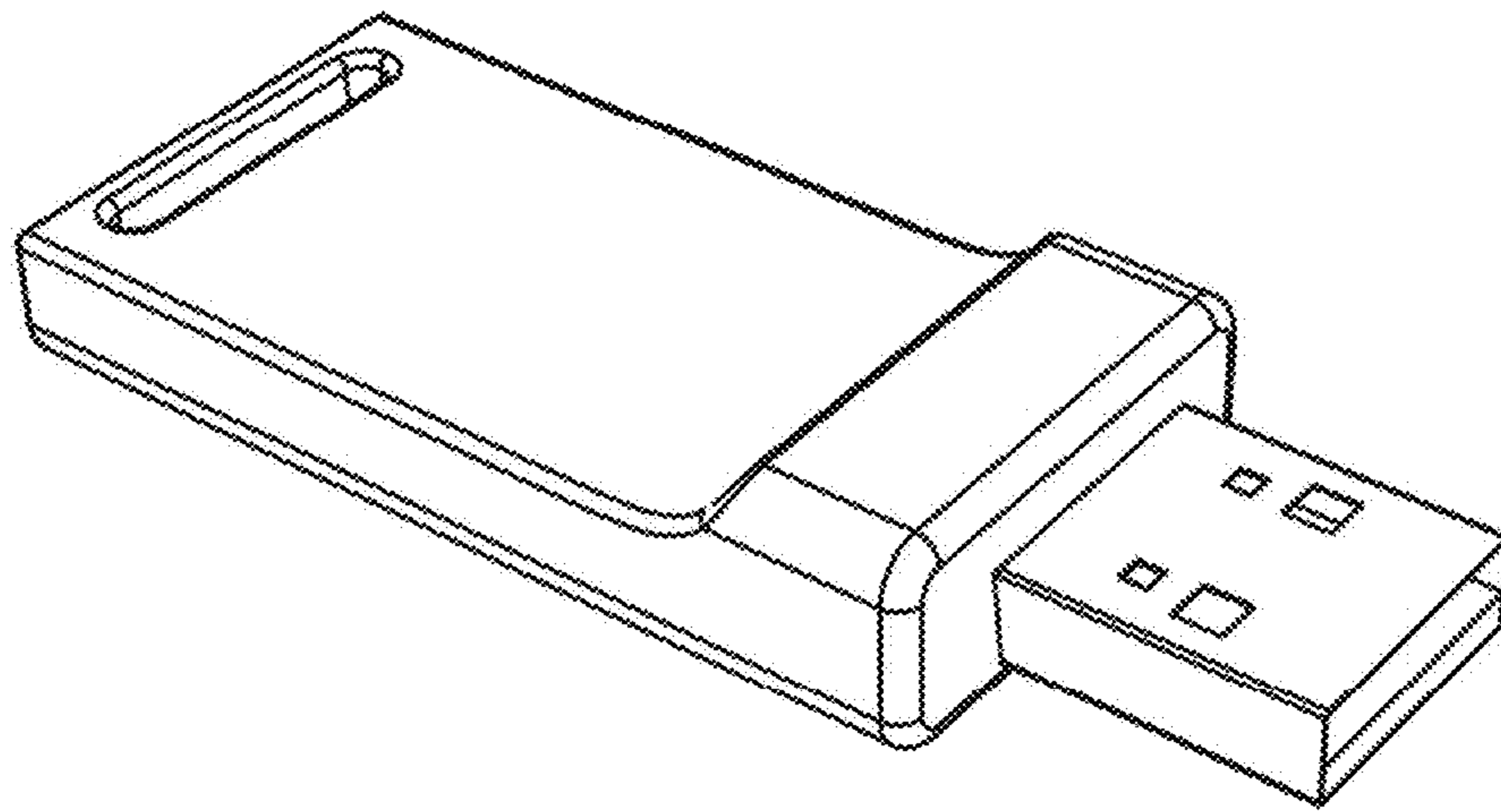


Fig.8