



US00D951898S

(12) **United States Design Patent** (10) **Patent No.:** **US D951,898 S**
Ning (45) **Date of Patent:** **** May 17, 2022**

(54) **CAR CHARGER**

D898,694 S * 10/2020 DeLuna D14/496
D935,403 S * 11/2021 Wu D13/110
2017/0094637 A1* 3/2017 Del Toro H02J 7/1461

(71) Applicant: **Jing Ning**, Shenzhen (CN)

(72) Inventor: **Jing Ning**, Shenzhen (CN)

(**) Term: **15 Years**

(21) Appl. No.: **29/747,486**

(22) Filed: **Aug. 24, 2020**

(51) **LOC (13) Cl.** **13-03**

(52) **U.S. Cl.**
USPC **D14/144**

(58) **Field of Classification Search**
USPC D13/144, 108, 110, 107, 103; D12/114;
D14/155, 252; D27/141
CPC H02J 7/342; H02J 50/10
See application file for complete search history.

(56) **References Cited**

U.S. PATENT DOCUMENTS

D620,889 S * 8/2010 Smith D13/138.2
D653,216 S * 1/2012 Cheng D13/144
D655,247 S * 3/2012 Fitch D13/144
D692,832 S * 11/2013 Esses D13/110
D711,830 S * 8/2014 Liu D13/144
D764,413 S * 8/2016 McHatet D13/144
D770,980 S * 11/2016 Hou D13/144
D809,462 S * 2/2018 Mizrahi D13/144

OTHER PUBLICATIONS

Amazon.com. Blackcat Charger, date first available: May 2019.
Date accessed: Mar. 2022. <https://www.amazon.in/Blackcat-Charger-Android-Smartphones-Charging/dp/B07SFFKFQ1> (Year: 2019).*

* cited by examiner

Primary Examiner — Jennifer O King

(57) **CLAIM**

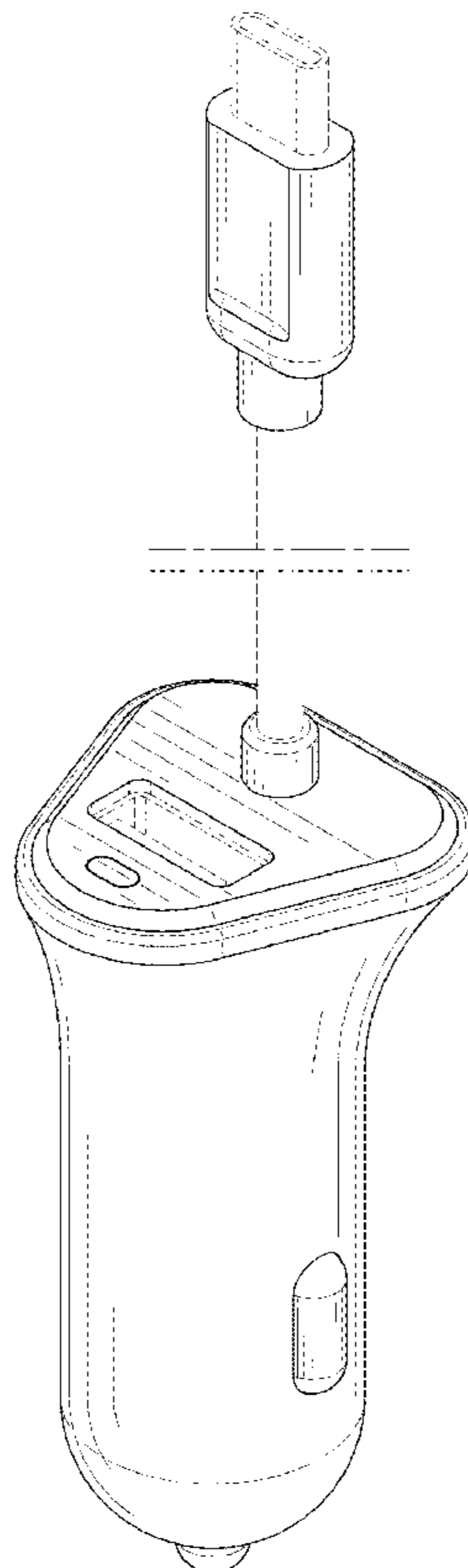
The ornamental design for a car charger, as shown and described.

DESCRIPTION

FIG. 1 is a front and top perspective view of a car charger, showing my new design;
FIG. 2 is a rear and bottom perspective view thereof;
FIG. 3 is a front elevational view thereof;
FIG. 4 is a rear elevational view thereof;
FIG. 5 is a left side elevational view thereof;
FIG. 6 is a right side elevational view thereof;
FIG. 7 is a top plan view thereof; and,
FIG. 8 is a bottom plan view thereof.

The broken lines in the figures illustrate portions of the car charger that form no part of the claimed design. The parallel dash dot lines indicate a symbolic break in length. Any portion of the article between the break lines forms no part of the claimed design.

1 Claim, 8 Drawing Sheets



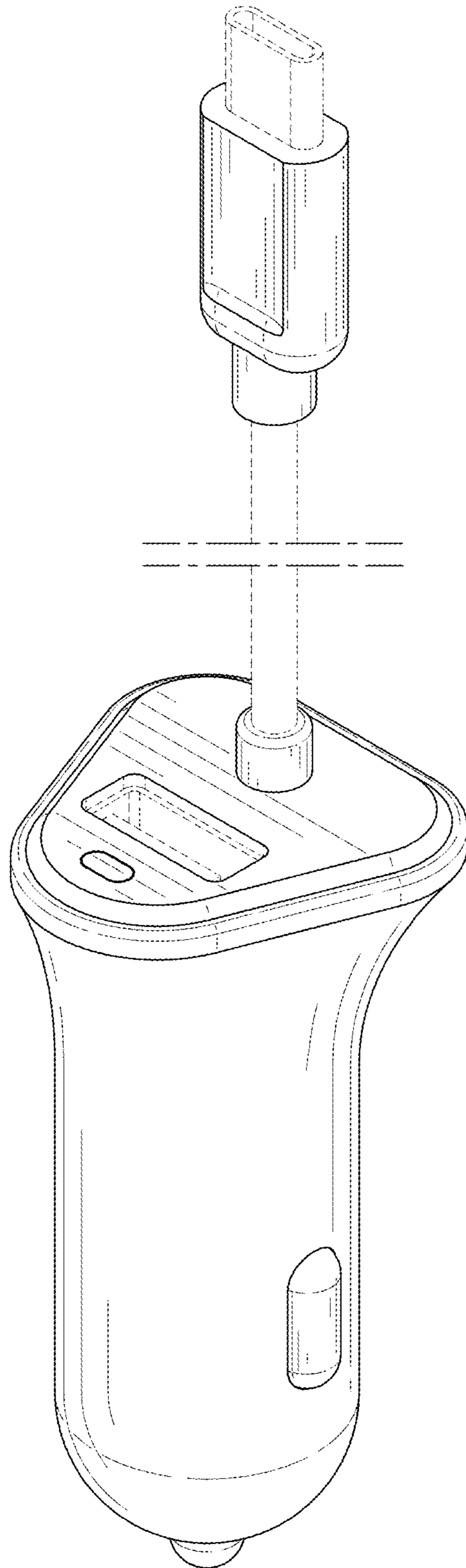


FIG. 1

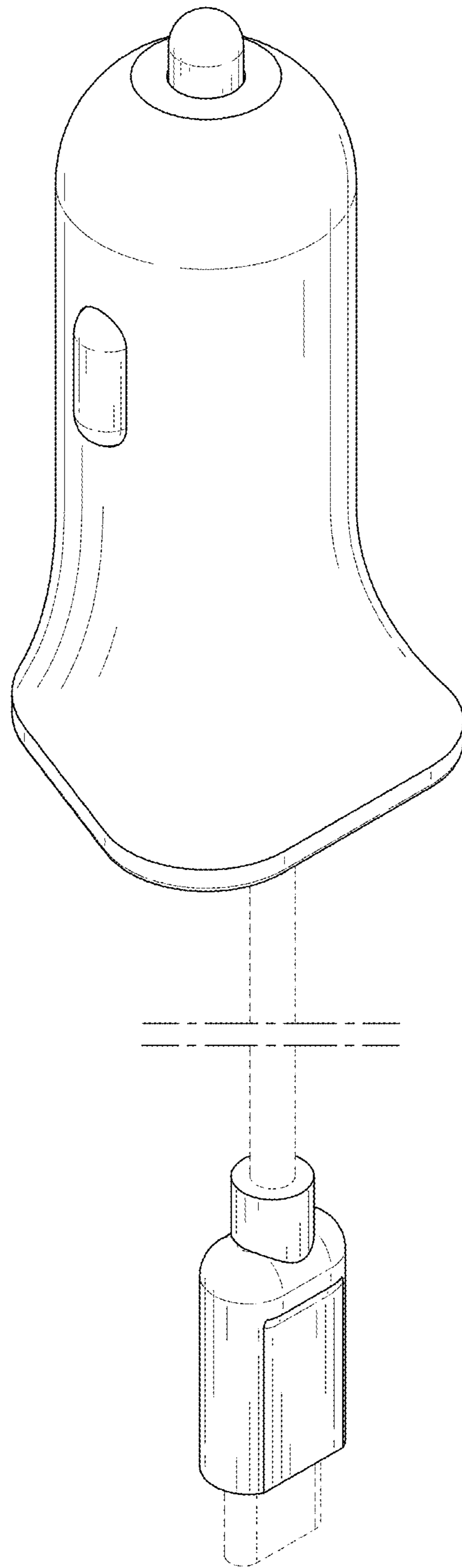


FIG. 2

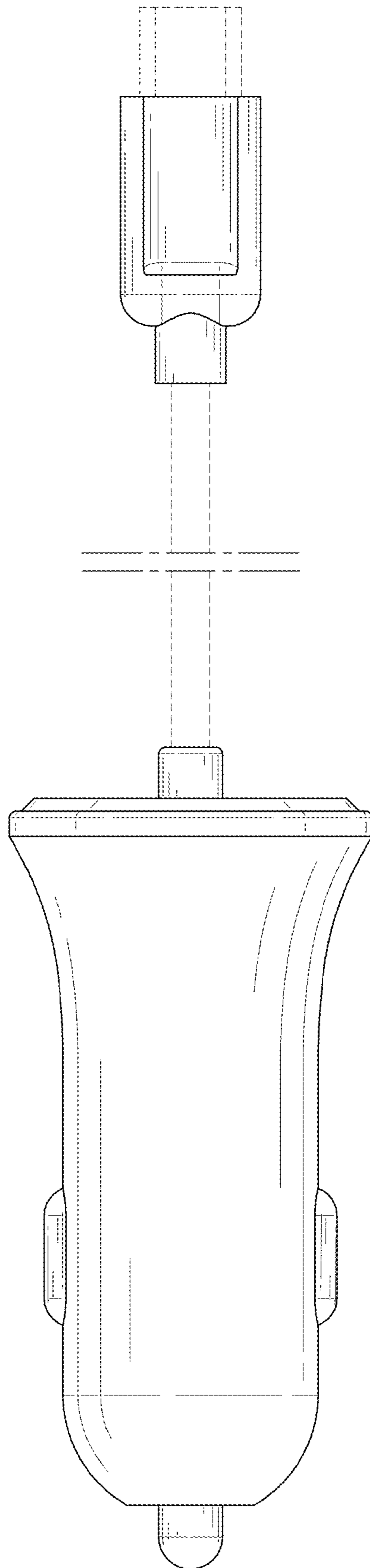


FIG. 3

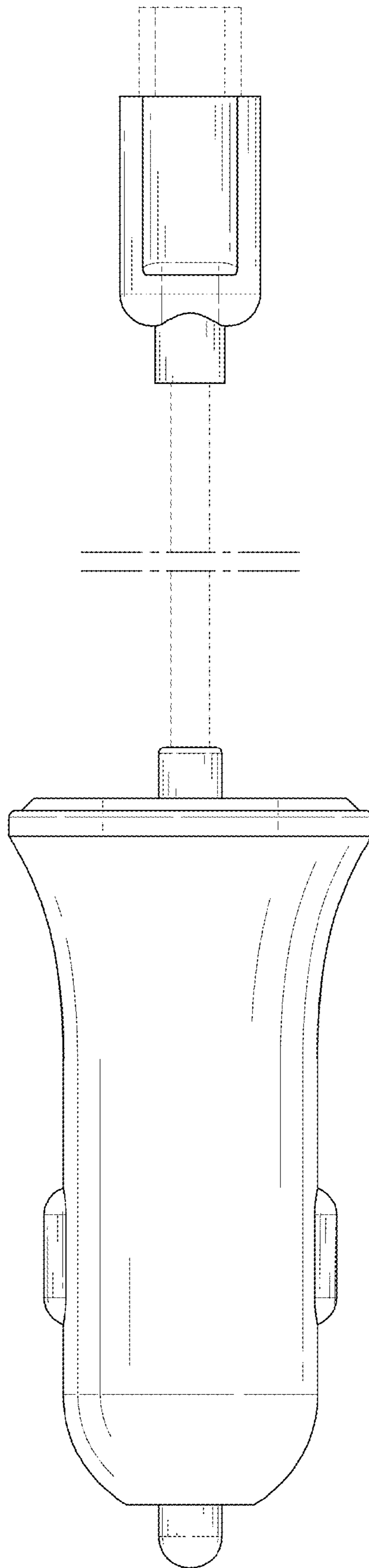


FIG. 4

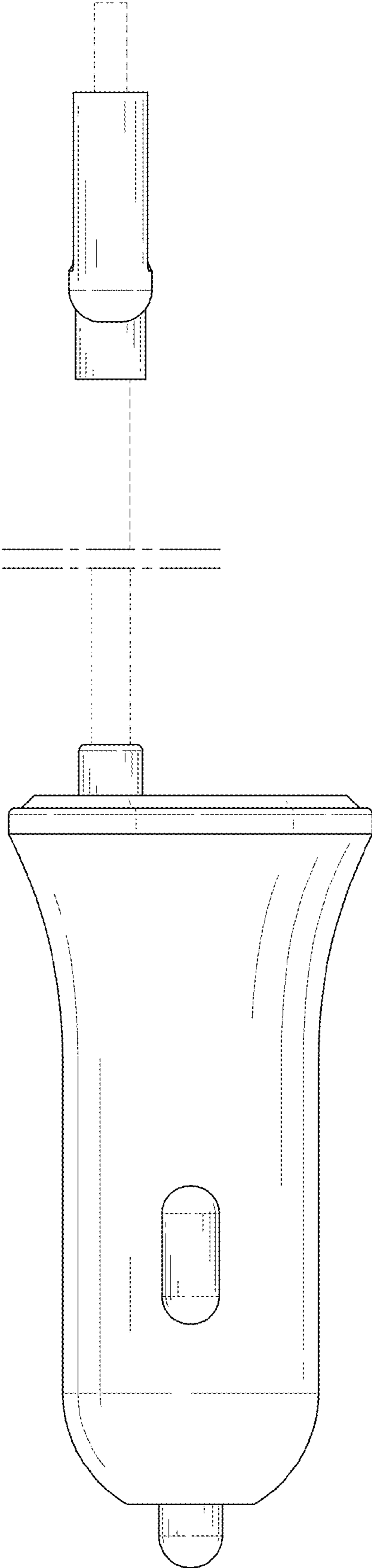


FIG. 5

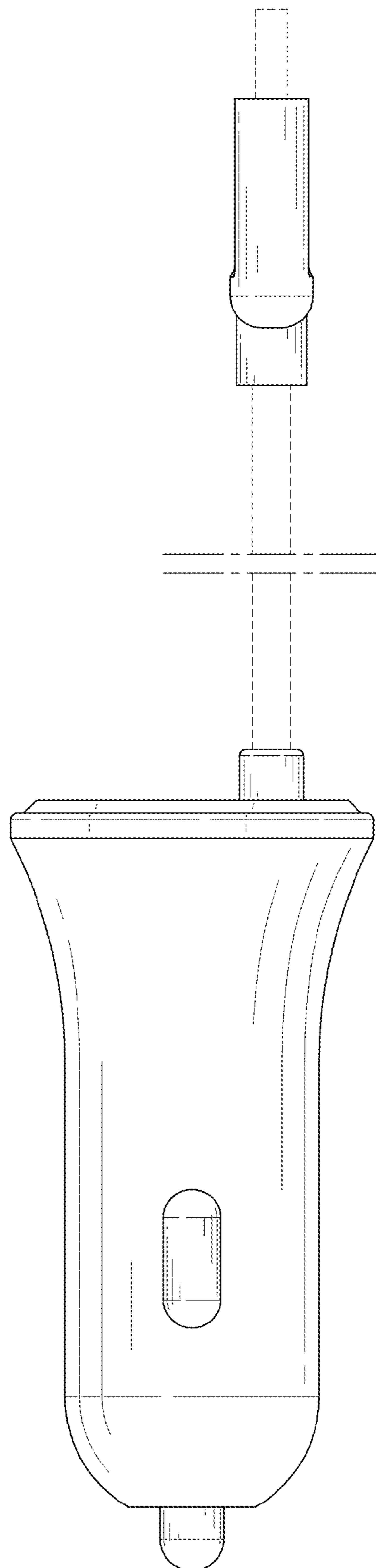


FIG. 6

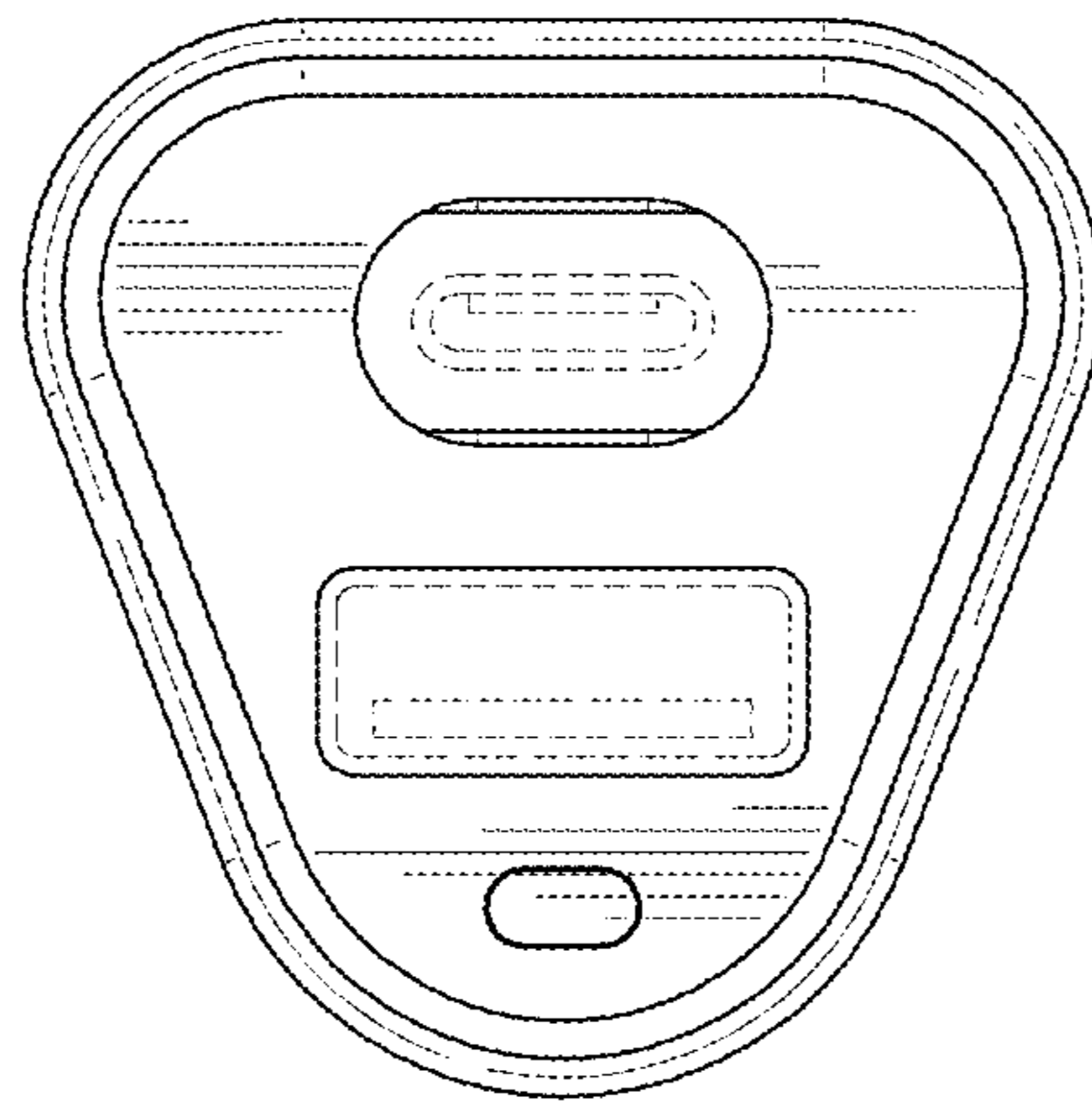


FIG. 7

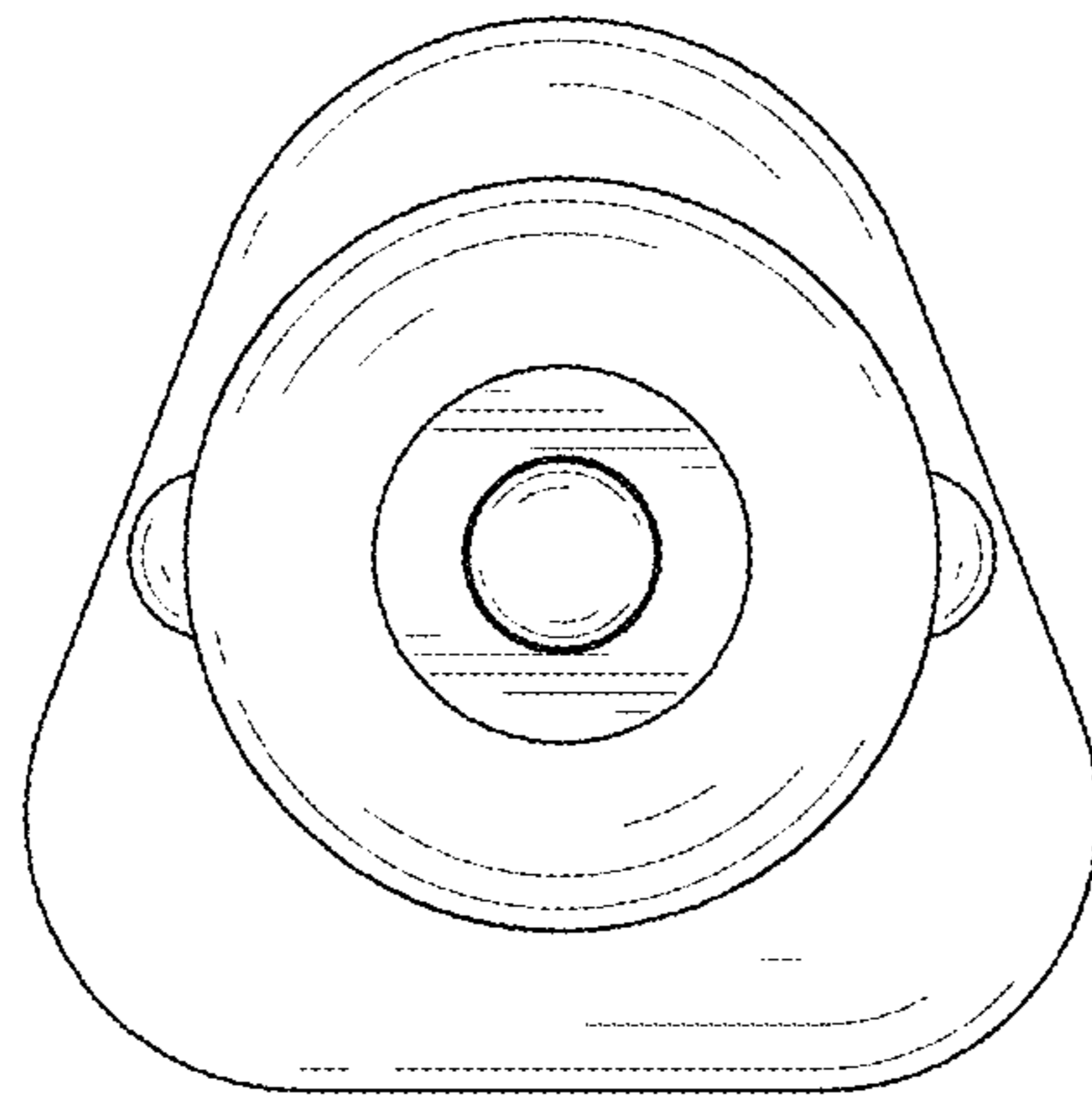


FIG. 8