



US00D951893S

(12) **United States Design Patent**  
**Hong**

(10) **Patent No.:** **US D951,893 S**

(45) **Date of Patent:** **\*\* May 17, 2022**

(54) **WALKIE TALKIE**

(71) Applicant: **Xiaoling Hong**, Fujian (CN)

(72) Inventor: **Xiaoling Hong**, Fujian (CN)

(\*\*) Term: **15 Years**

(21) Appl. No.: **29/756,196**

(22) Filed: **Oct. 27, 2020**

(51) **LOC (13) Cl.** ..... **14-03**

(52) **U.S. Cl.**

USPC ..... **D14/137**

(58) **Field of Classification Search**

USPC ... D14/137, 147, 155, 159, 226, 191, 203.3,  
D14/203.7, 203.1, 203.5, 188, 192,  
D14/194-198, 214, 218, 219, 221, 172,  
D14/420, 496; D13/168; D30/199;  
D6/313, 325; D10/65, 78, 104.1, 104.2,  
D10/106.1; D21/517, 566, 324, 329, 331

CPC ..... H04B 2001/3861; H04B 1/3827; H04B  
1/3833; H04M 1/233; G08B 1/0202

See application file for complete search history.

(56) **References Cited**

**U.S. PATENT DOCUMENTS**

D309,136 S *	7/1990	Siddoway	.....	D14/137
D322,251 S *	12/1991	Siddoway	.....	D14/137
D328,299 S *	7/1992	Gasparaitis	.....	D14/219
D350,347 S *	9/1994	Tracy	.....	D14/137
D399,504 S *	10/1998	Lindeman	.....	D14/137
D490,064 S *	5/2004	Yi	.....	D14/137
D540,290 S *	4/2007	Haase	.....	D14/137
D635,120 S *	3/2011	Sakai	.....	D14/167
D696,225 S *	12/2013	Osada	.....	D14/167
D717,259 S *	11/2014	Ooi	.....	D14/137
D846,521 S *	4/2019	Nakagawa	.....	D14/137

D892,071 S *	8/2020	Zhang	.....	D14/137
D927,442 S *	8/2021	Hong	.....	D14/137
D940,091 S *	1/2022	Liu	.....	D14/137
2015/0145679 A1 *	5/2015	Haskin	.....	G06K 19/0723 340/572.8

**OTHER PUBLICATIONS**

Long Range Walkie Talkie, available at alibaba.com, date unknown [online], [site visited Nov. 26, 2021], available from the internet URL: [https://www.alibaba.com/product-detail/HOT-SALE-Long-Range-Compatible-400\\_1600300505776.html](https://www.alibaba.com/product-detail/HOT-SALE-Long-Range-Compatible-400_1600300505776.html) (Year: 2021).\*

\* cited by examiner

*Primary Examiner* — Wendy L Arminio

*Assistant Examiner* — Carrie S Gelula

(57) **CLAIM**

The ornamental design for a walkie talkie, as shown and described.

**DESCRIPTION**

FIG. 1 is a front elevational view of a walkie talkie showing my new design;

FIG. 2 is a rear elevational view thereof;

FIG. 3 is a left side view thereof;

FIG. 4 is a right side view thereof;

FIG. 5 is a top plan view thereof;

FIG. 6 is a bottom plan view thereof;

FIG. 7 is a perspective view thereof;

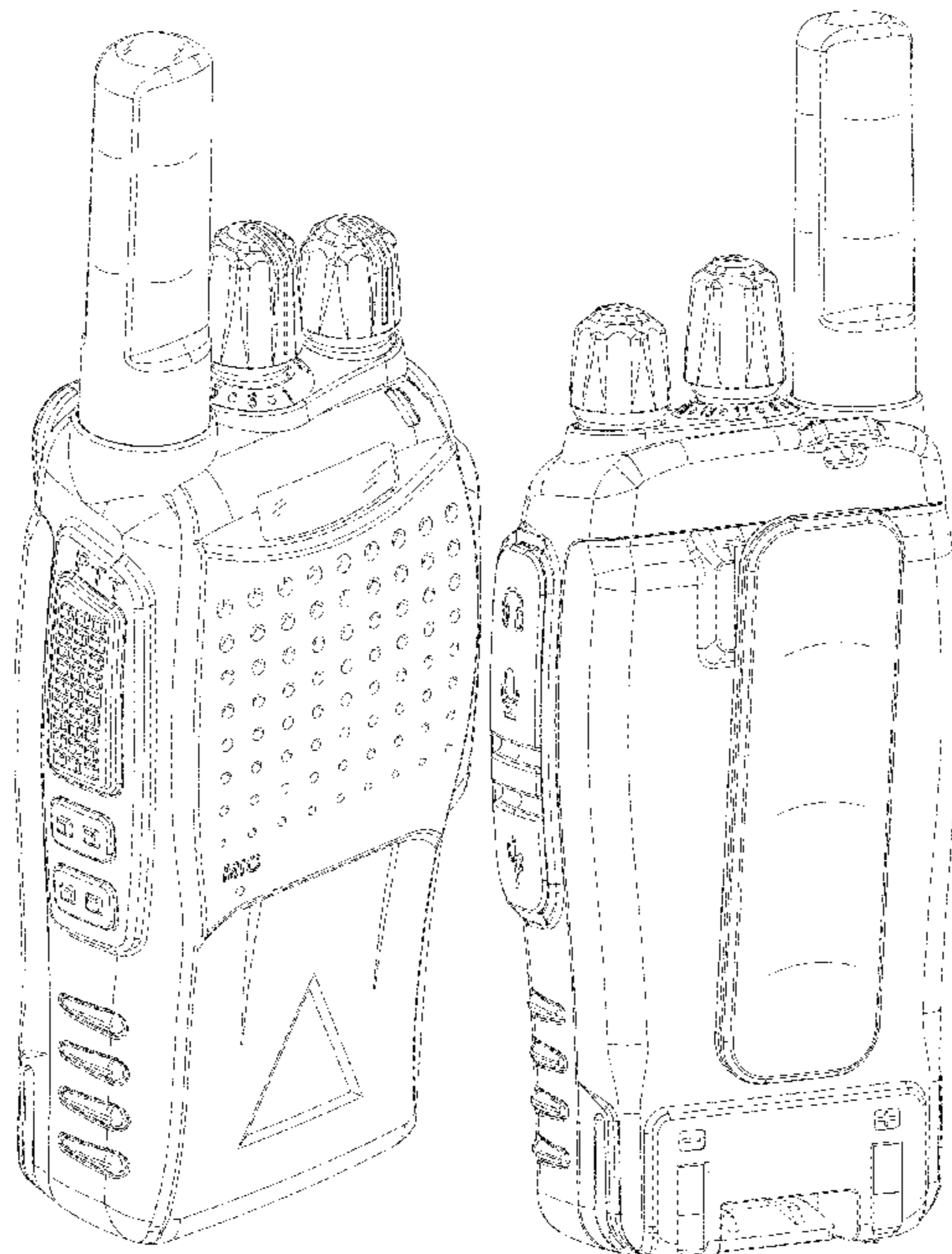
FIG. 8 is a second perspective view thereof;

FIG. 9 is a third perspective view thereof; and,

FIG. 10 is a fourth perspective view thereof.

The broken lines in the drawings are for the purpose of illustrating portions of the walkie talkie that form no part of the claimed design.

**1 Claim, 10 Drawing Sheets**



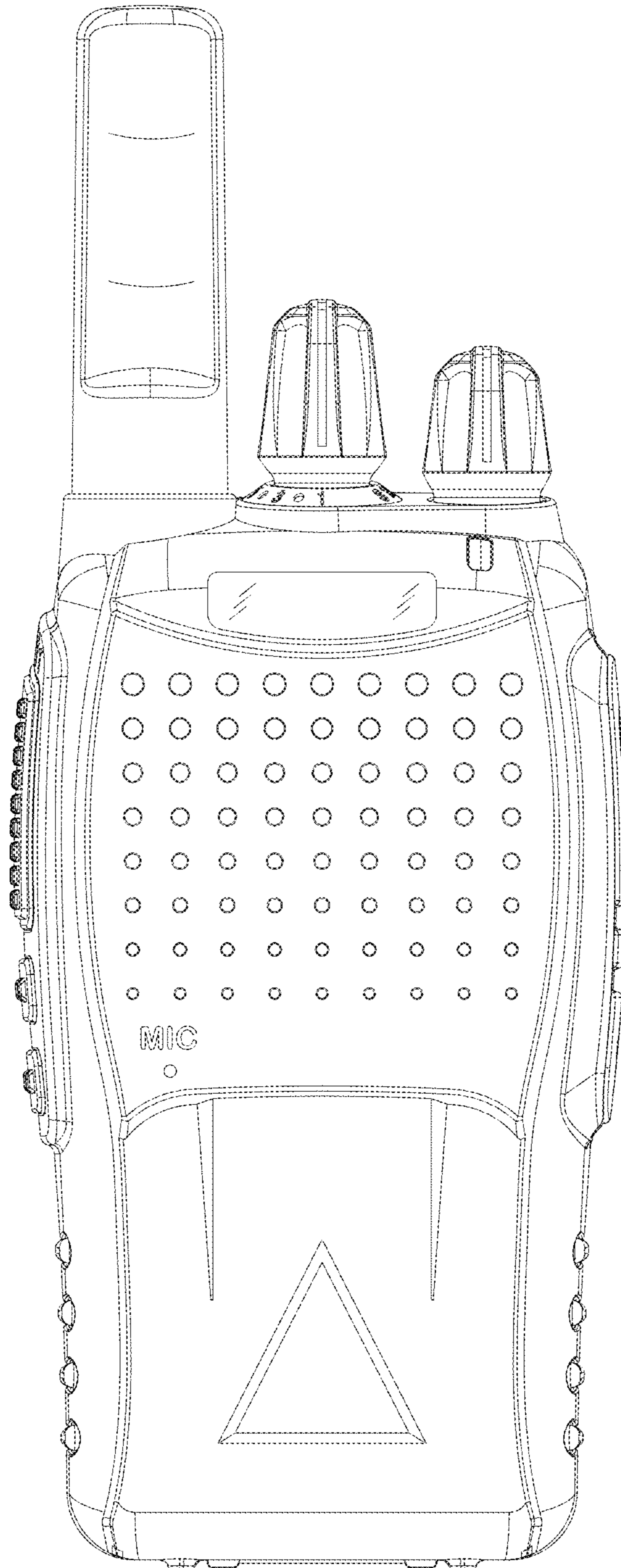


FIG. 1

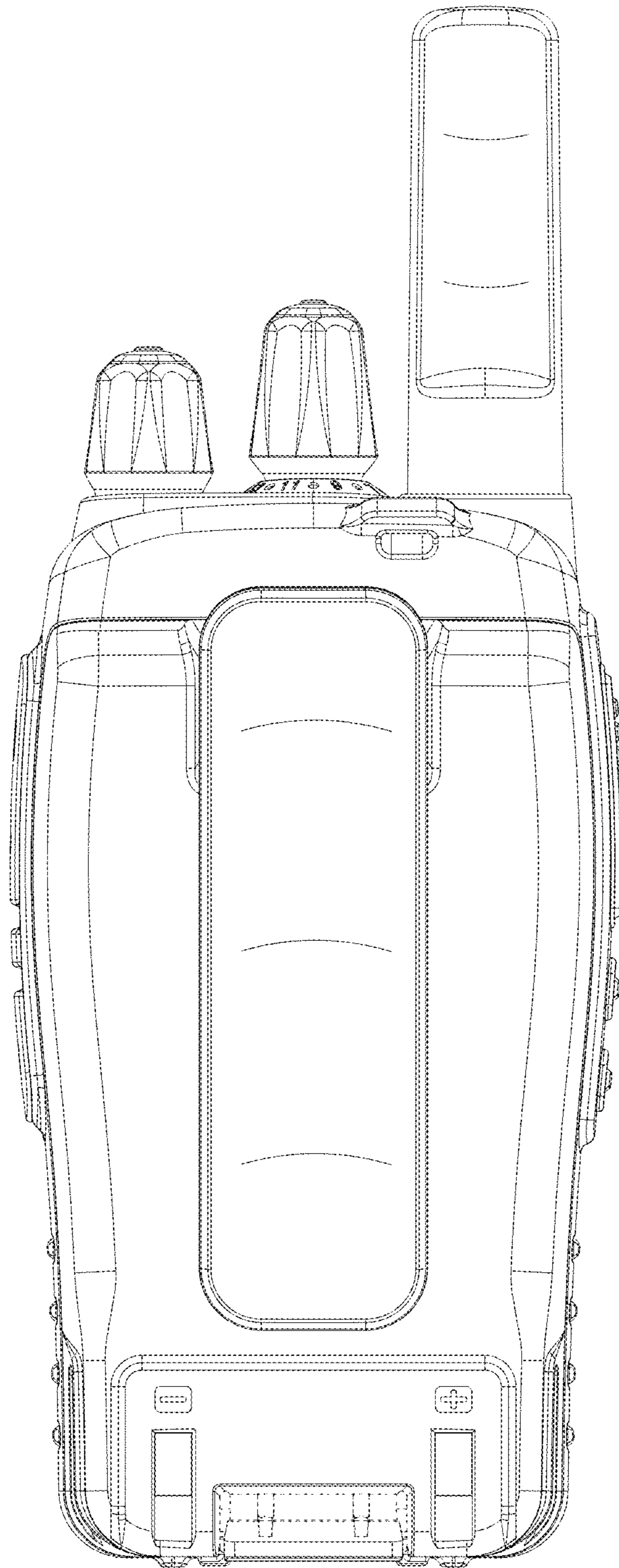


FIG. 2

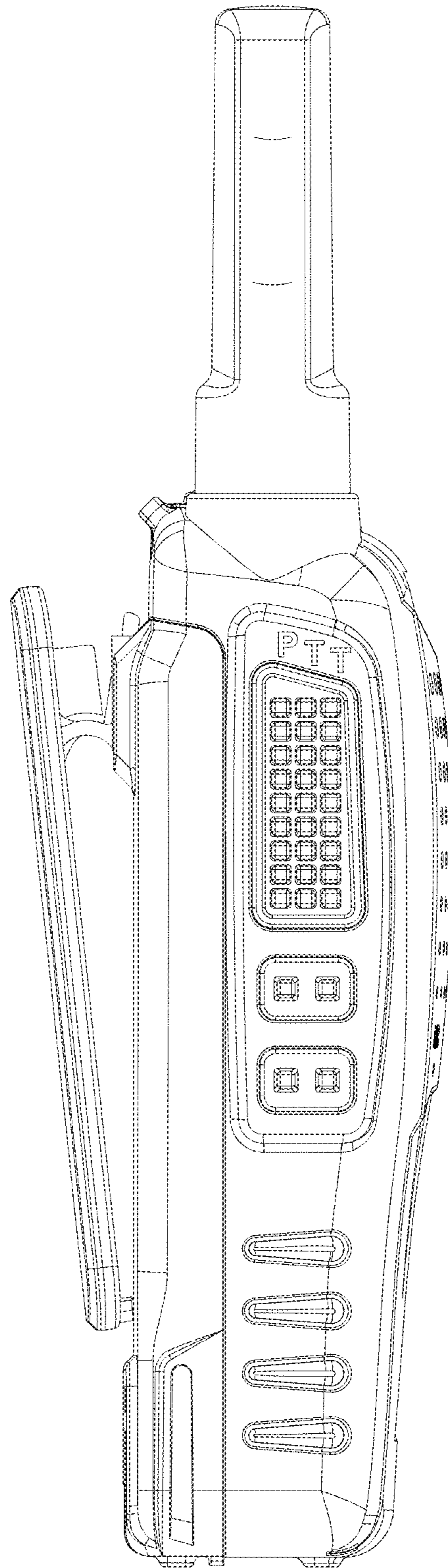


FIG. 3

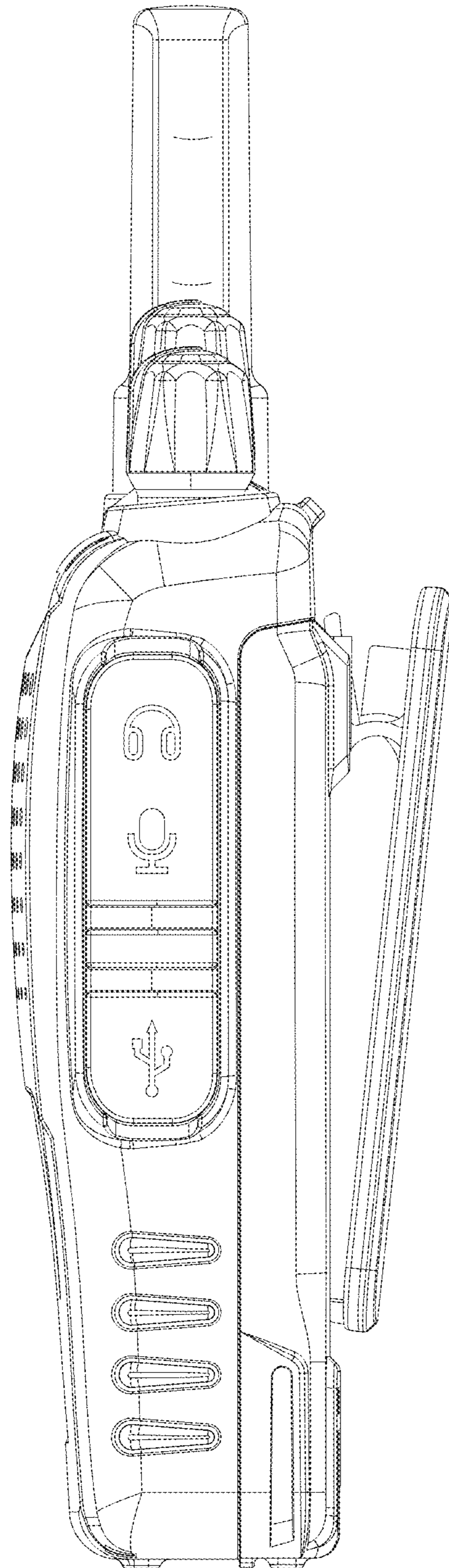


FIG. 4

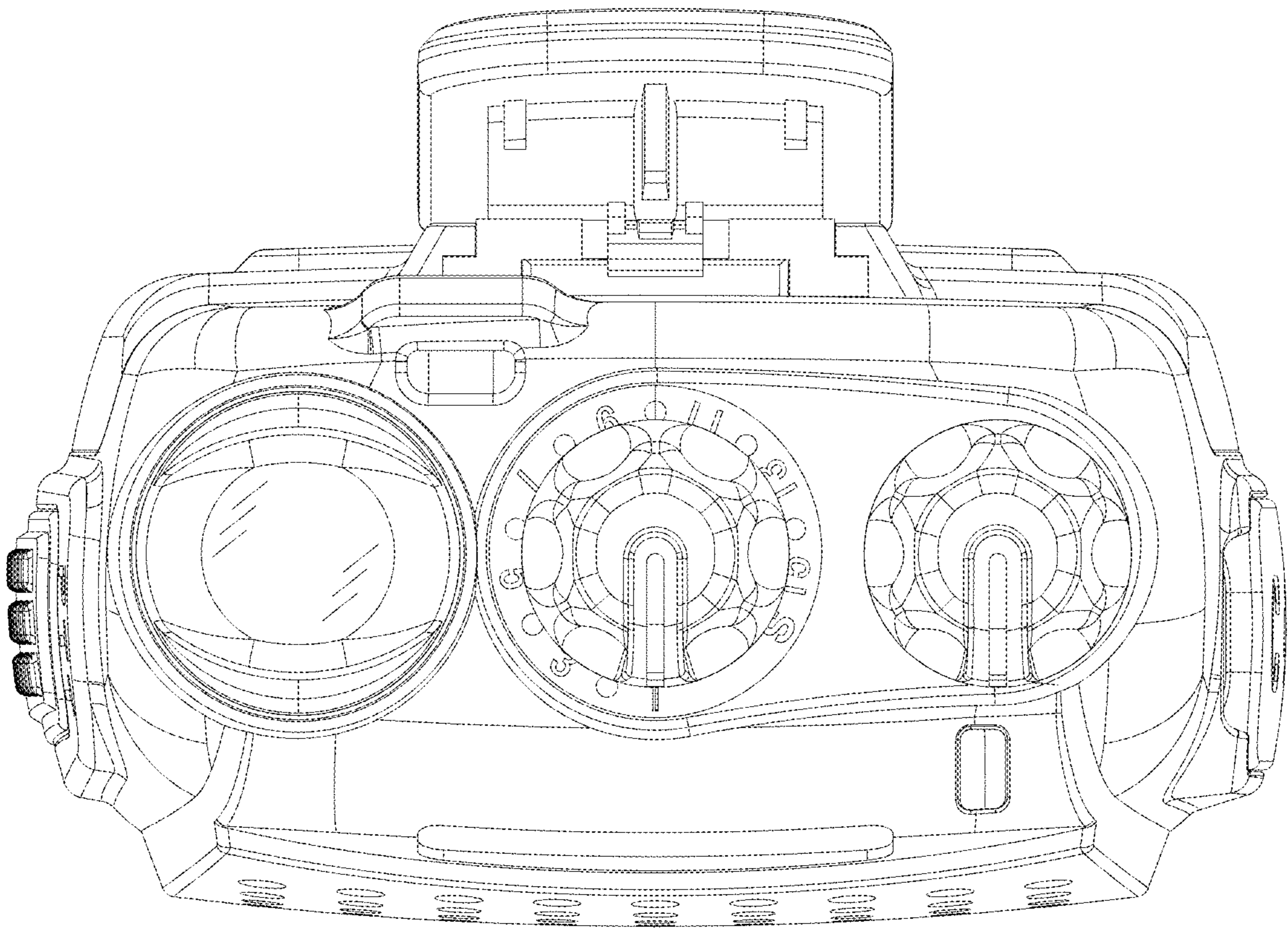


FIG. 5

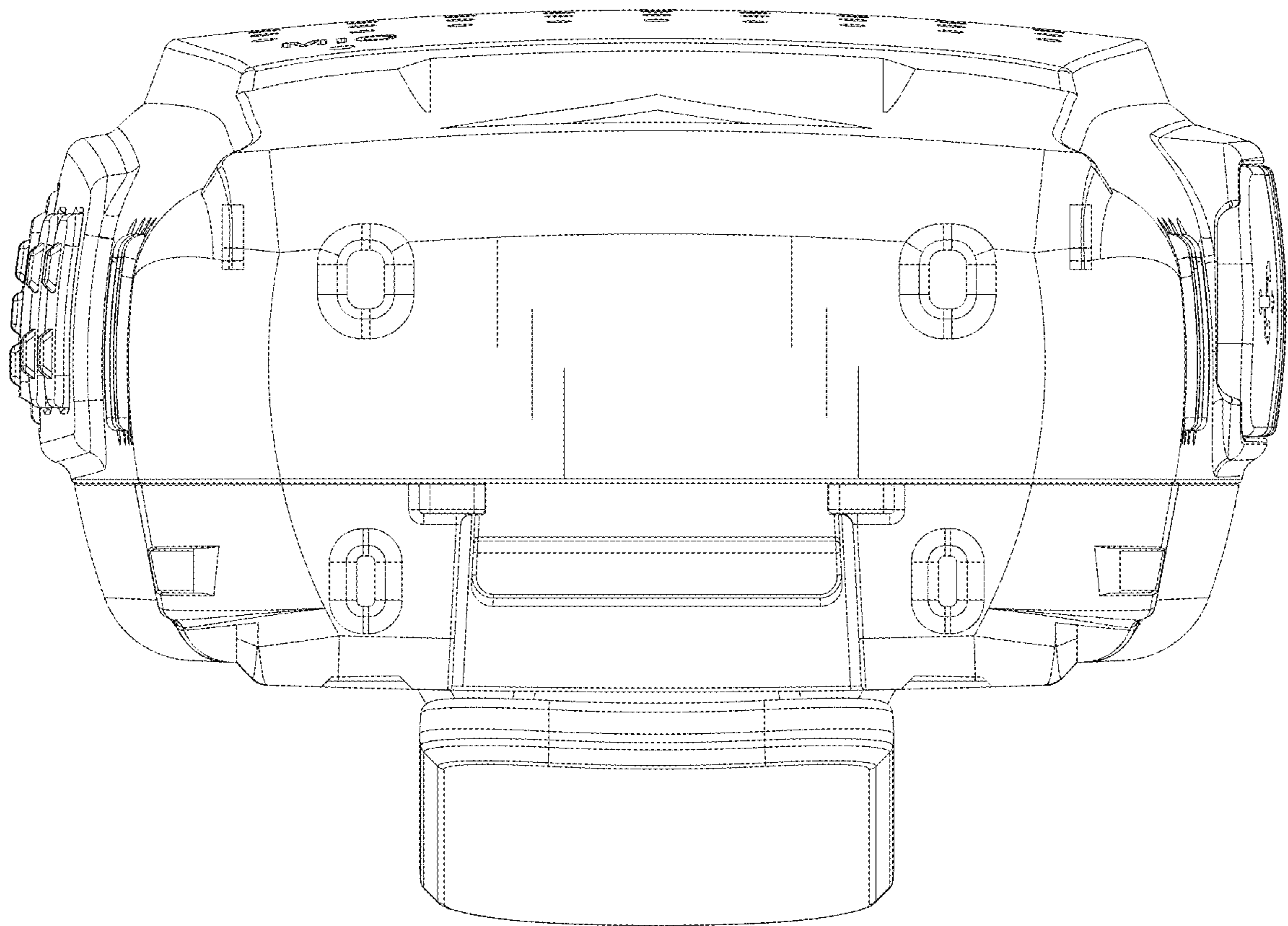


FIG. 6

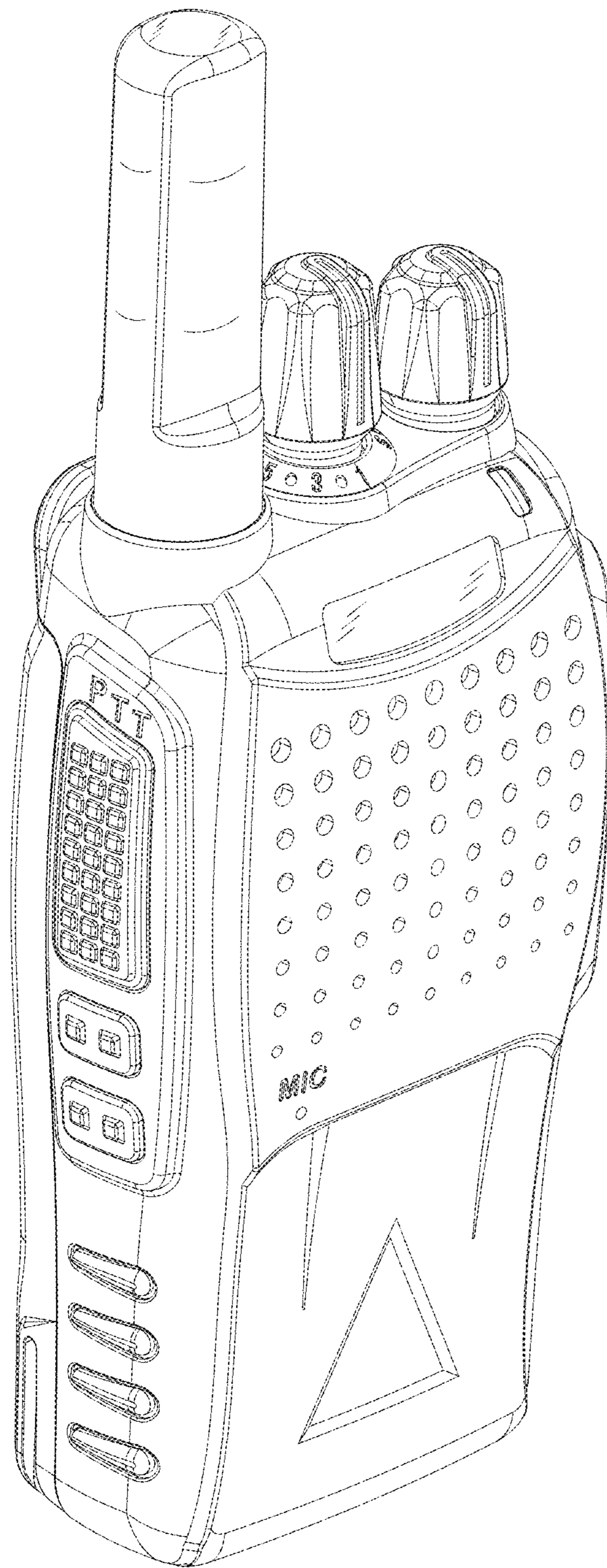


FIG. 7



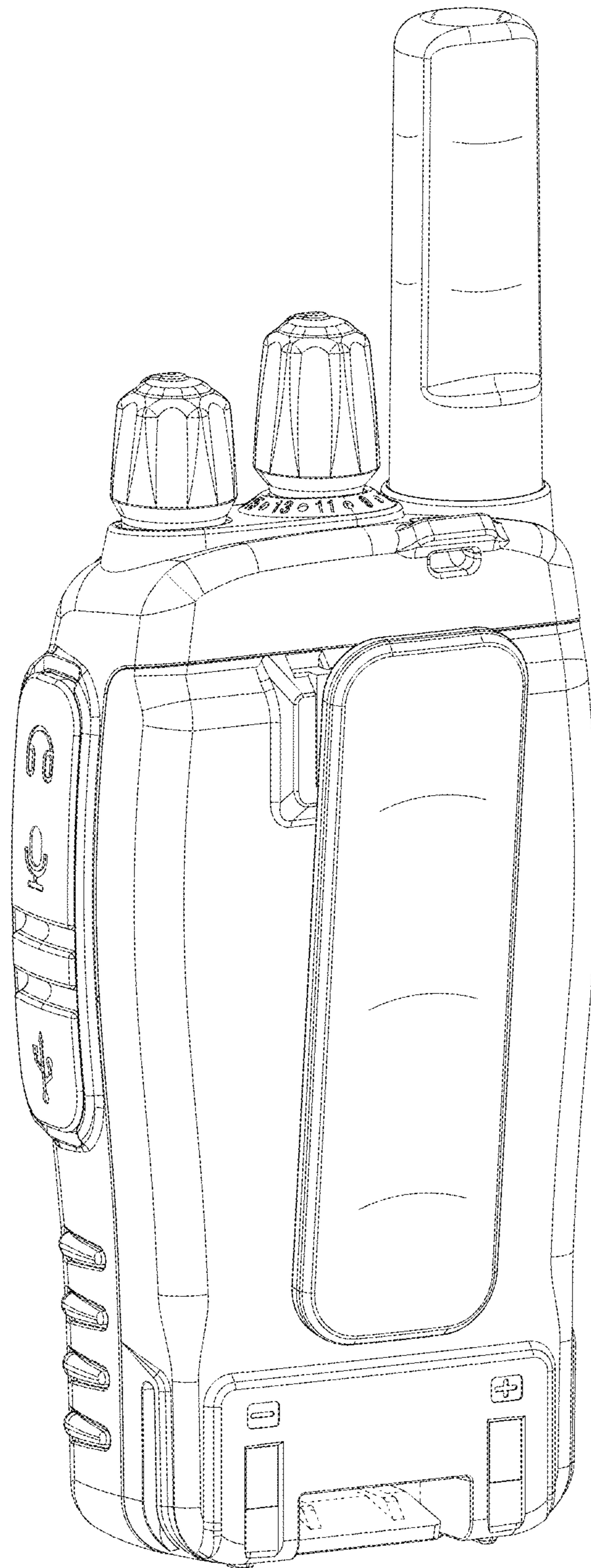


FIG. 8

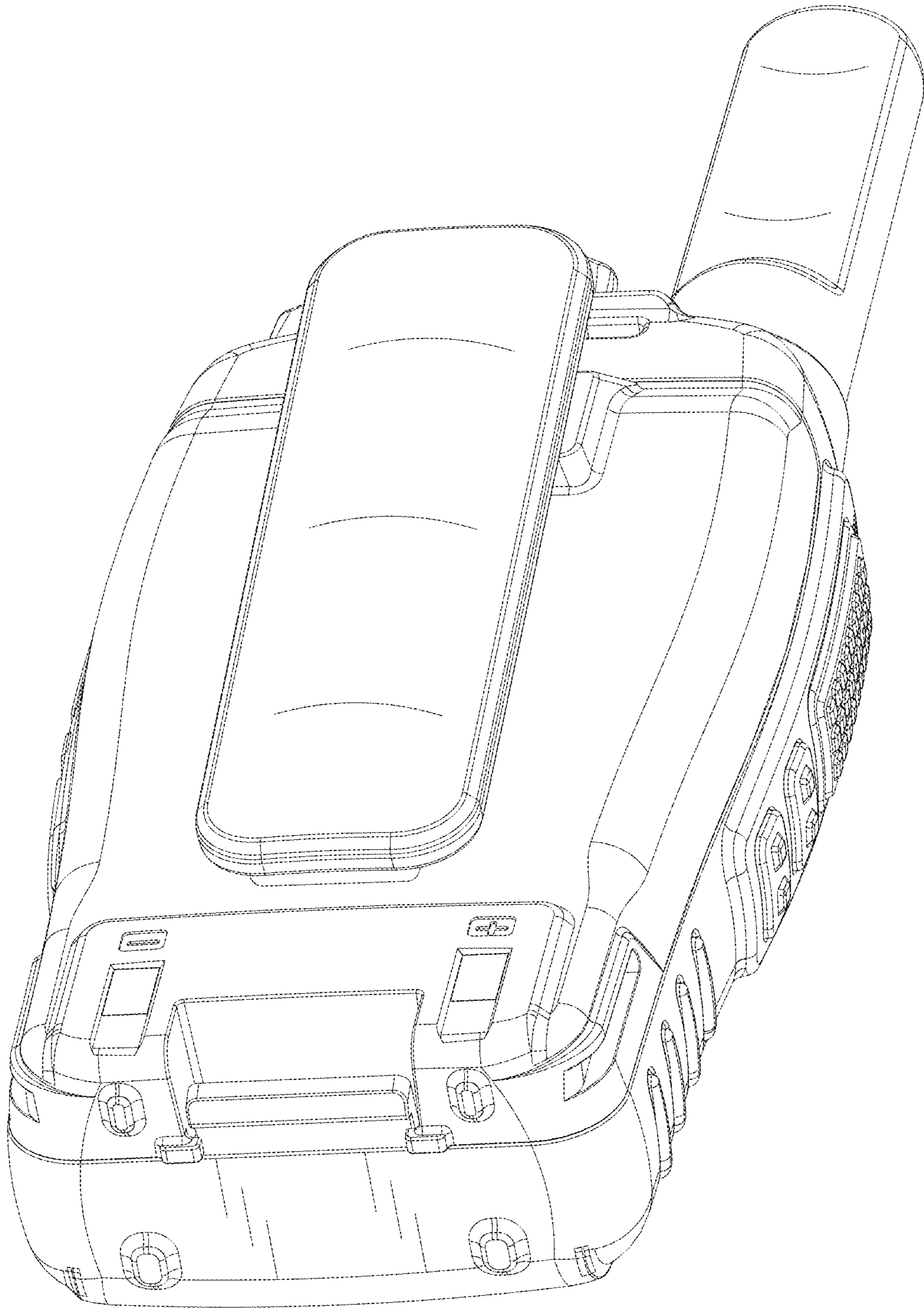


FIG. 9

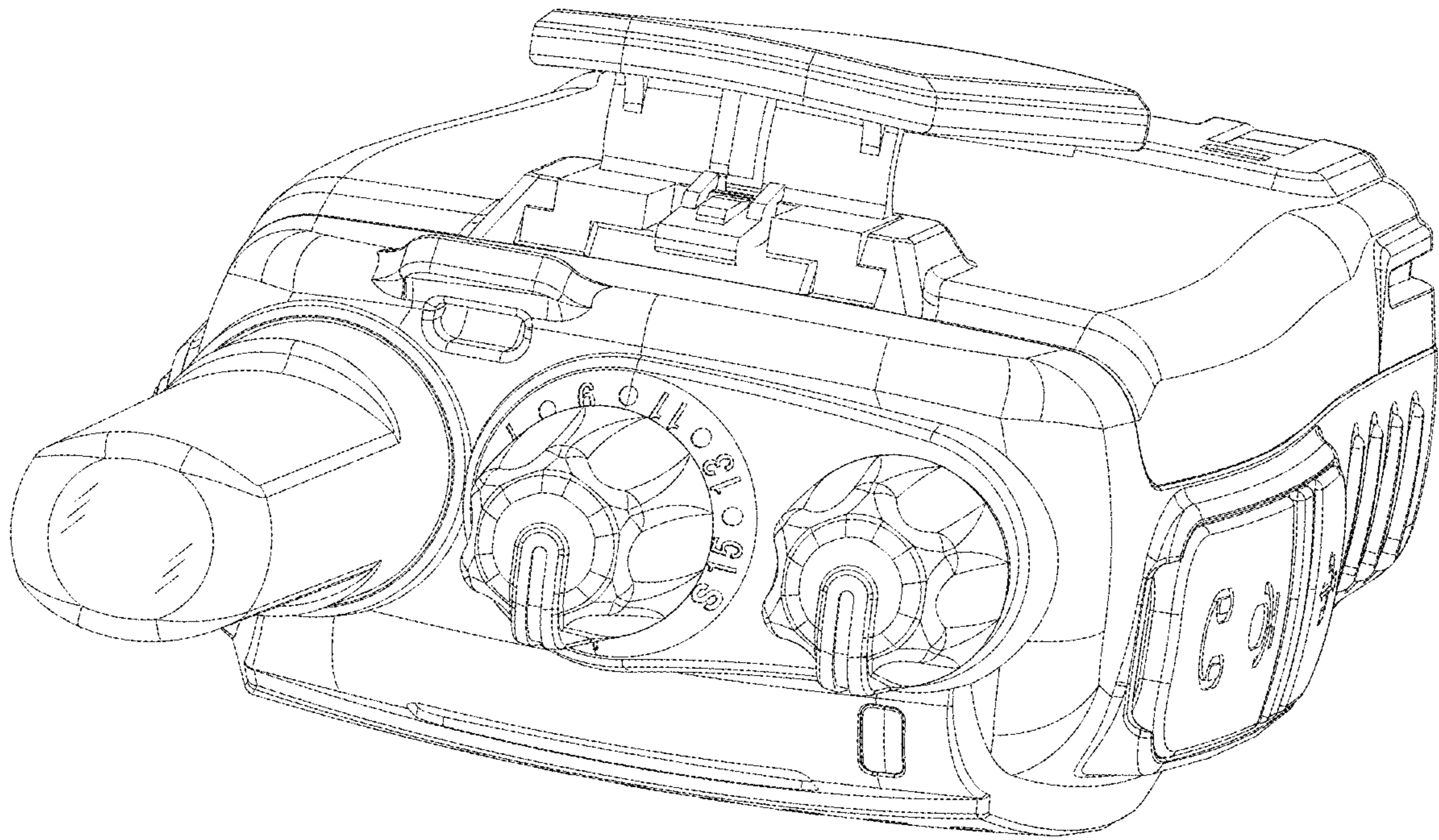


FIG. 10