



US00D951892S

(12) **United States Design Patent**
Hong

(10) **Patent No.:** **US D951,892 S**

(45) **Date of Patent:** **** May 17, 2022**

(54) **WALKIE TALKIE**

(71) Applicant: **Xiaoling Hong**, Fujian (CN)

(72) Inventor: **Xiaoling Hong**, Fujian (CN)

(**) Term: **15 Years**

(21) Appl. No.: **29/753,127**

(22) Filed: **Sep. 30, 2020**

(51) **LOC (13) Cl.** **14-03**

(52) **U.S. Cl.**

USPC **D14/137**

(58) **Field of Classification Search**

USPC ... D14/137, 147, 155, 159, 226, 191, 203.3,
D14/203.7, 203.1, 203.5, 188, 192,
D14/194-198, 214, 218, 219, 221, 172,
D14/420, 496; D13/168; D30/199;
D6/313, 325; D10/65, 78, 104.1, 104.2,
D10/106.1; D21/517, 566, 324, 329, 331

CPC H04B 2001/3861; H04B 1/3827; H04B
1/3833; H04M 1/233; G08B 21/0202

See application file for complete search history.

(56) **References Cited**

U.S. PATENT DOCUMENTS

| | | | | | | |
|-----------|---|---|---------|-----------|-------|------------------------|
| 5,442,337 | A | * | 8/1995 | Hwang | | G01R 15/125 340/635 |
| D564,999 | S | * | 3/2008 | Richards | | D14/137 |
| D638,806 | S | * | 5/2011 | Kim | | D13/168 |
| D738,357 | S | * | 9/2015 | Khairudin | | D14/226 |
| D816,632 | S | * | 5/2018 | Yamamoto | | D14/137 |
| D842,830 | S | * | 3/2019 | Nishida | | D14/137 |
| D847,006 | S | * | 4/2019 | Hu | | D10/57 |
| D875,699 | S | * | 2/2020 | Hong | | D14/137 |
| D889,424 | S | * | 7/2020 | Chen | | D14/137 |
| D914,628 | S | * | 3/2021 | Wang | | D14/137 |
| D914,630 | S | * | 3/2021 | Li | | D14/137 |
| D917,411 | S | * | 4/2021 | Xiao | | D14/137 |
| D931,246 | S | * | 9/2021 | Hong | | D14/137 |
| D933,036 | S | * | 10/2021 | Hong | | D14/137 |

| | | | | | | |
|--------------|----|---|---------|--------|-------|-------------------------|
| D933,623 | S | * | 10/2021 | Liu | | D14/137 |
| D934,830 | S | * | 11/2021 | Liu | | D14/137 |
| 2014/0004807 | A1 | * | 1/2014 | Harmke | | H04M 1/7243 455/90.2 |

(Continued)

FOREIGN PATENT DOCUMENTS

| | | | |
|----|----------------|---|---------|
| CN | 306451266 | * | 4/2021 |
| KR | 300769294-0000 | * | 11/2014 |

OTHER PUBLICATIONS

MMLRADIO Two Way Radio JC-737 22 Channels Walkie Talkies, first available Sep. 12, 2021, Amazon.com, [online], site visited Nov. 23, 2021, Available from internet URL: https://www.amazon.com/dp/B0974LQLGB/ref=cm_sw_em_r_mt_dp_5FR3VPD3XC67CZVQWSAY?_encoding=UTF8&psc=1 (Year: 2021).*

(Continued)

Primary Examiner — Wendy L Arminio

Assistant Examiner — Carrie S Gelula

(57) **CLAIM**

The ornamental design for a walkie talkie, as shown and described.

DESCRIPTION

FIG. 1 is a front elevational view of a walkie talkie showing my new design;

FIG. 2 is a rear elevational view thereof;

FIG. 3 is a left side view thereof;

FIG. 4 is a right side view thereof;

FIG. 5 is a top plan view thereof;

FIG. 6 is a bottom plan view thereof;

FIG. 7 is a perspective view thereof; and,

FIG. 8 is another perspective view thereof.

The broken lines in the drawings are for the purpose of illustrating portions of the walkie talkie that form no part of the claimed design.

1 Claim, 8 Drawing Sheets



(56)

References Cited

U.S. PATENT DOCUMENTS

2015/0207206 A1* 7/2015 Bartholomew H01Q 1/44
455/90.2
2017/0019164 A1* 1/2017 Sonobe H04B 7/14

OTHER PUBLICATIONS

Radtel RT12 Walkie Talkies, first available Jun. 12, 2021, Amazon.com, [online], site visited Nov. 23, 2021, Available from internet URL: https://www.amazon.com/dp/B09D7KGPC8/ref=cm_sw_em_r_mt_dp_R6MDONNZ174S0C8BWMP9 (Year: 2021).*

* cited by examiner

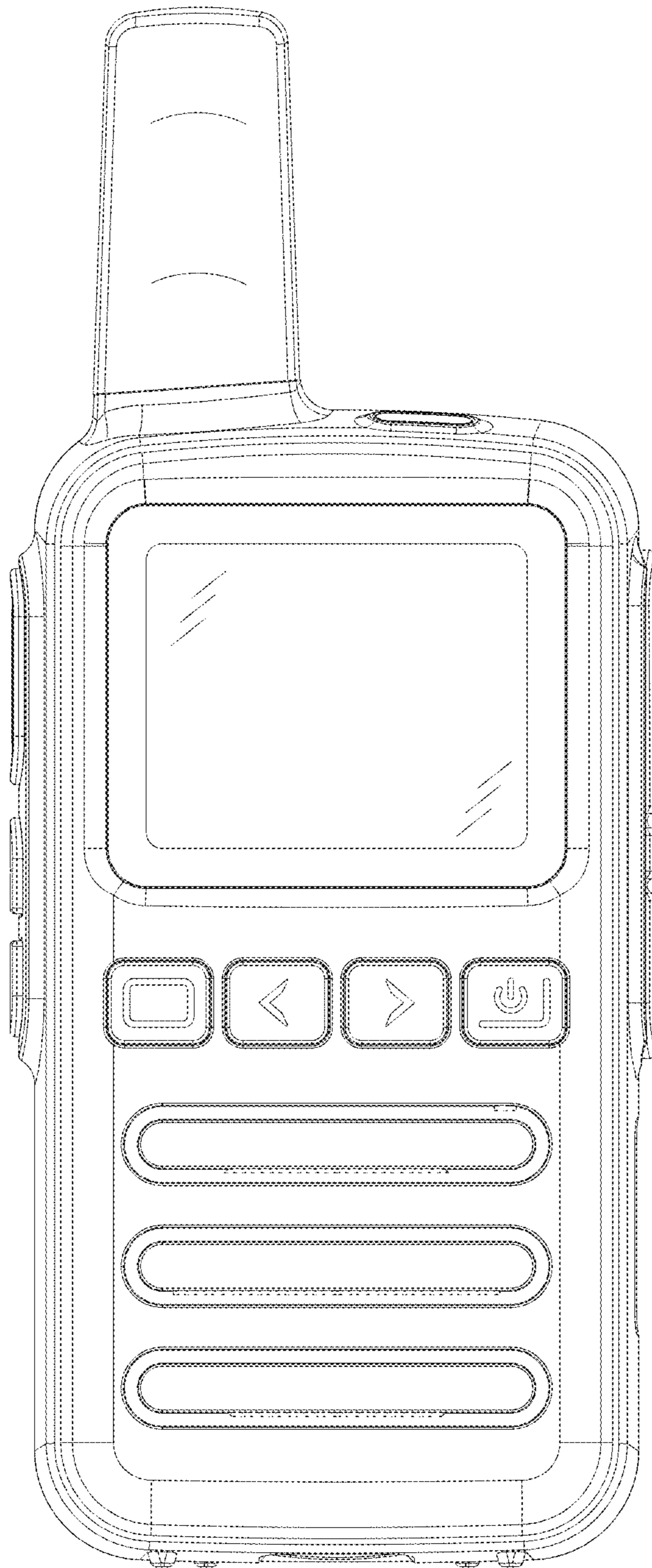


FIG. 1

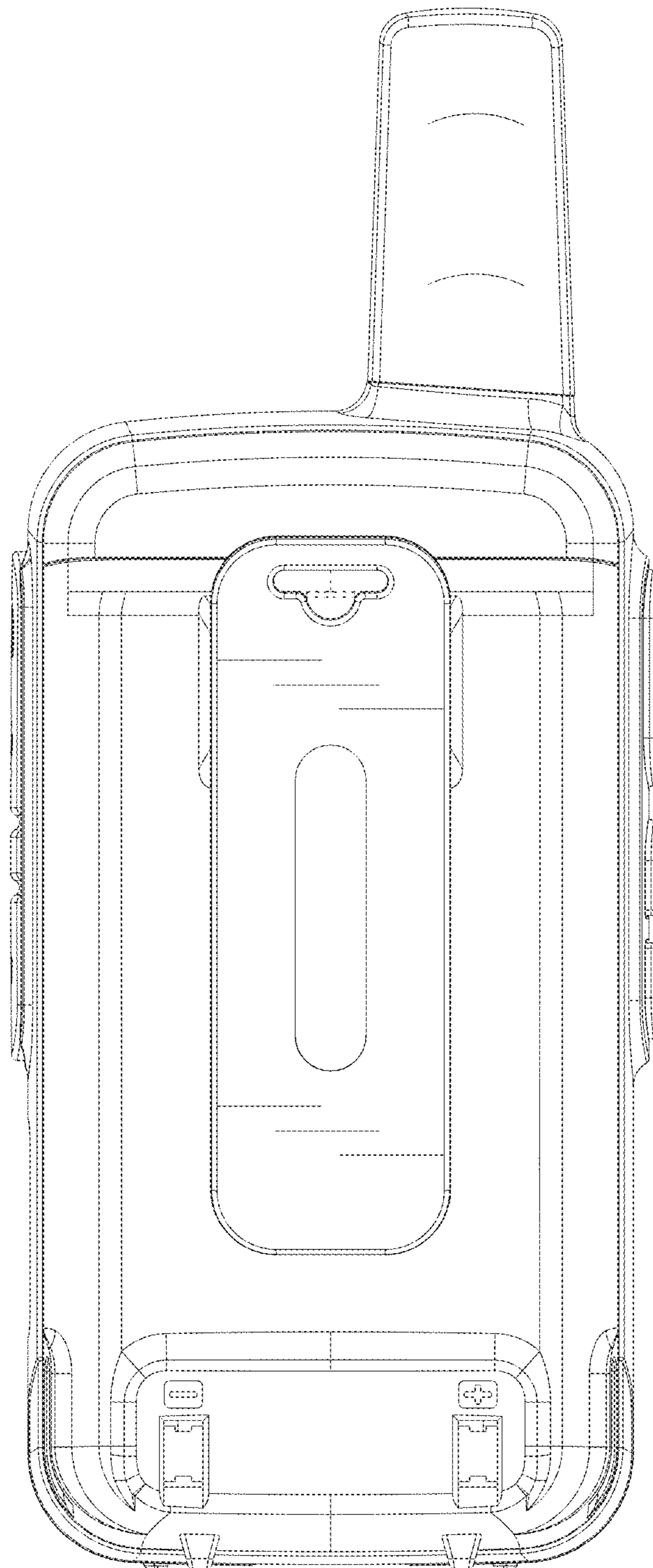


FIG. 2

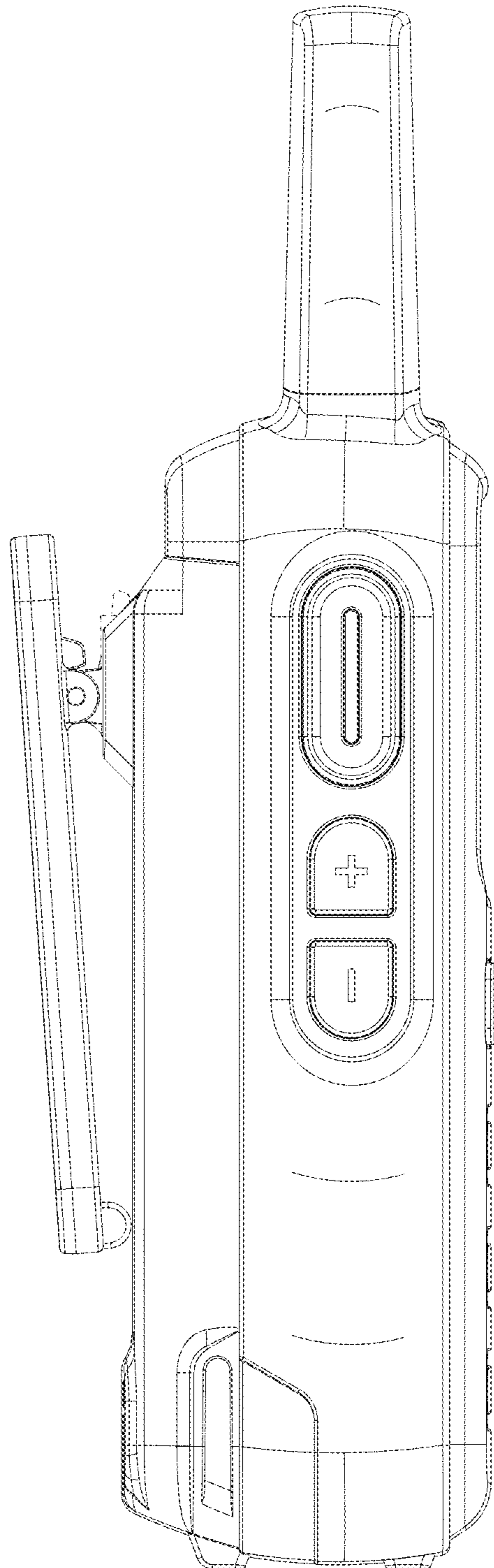


FIG. 3

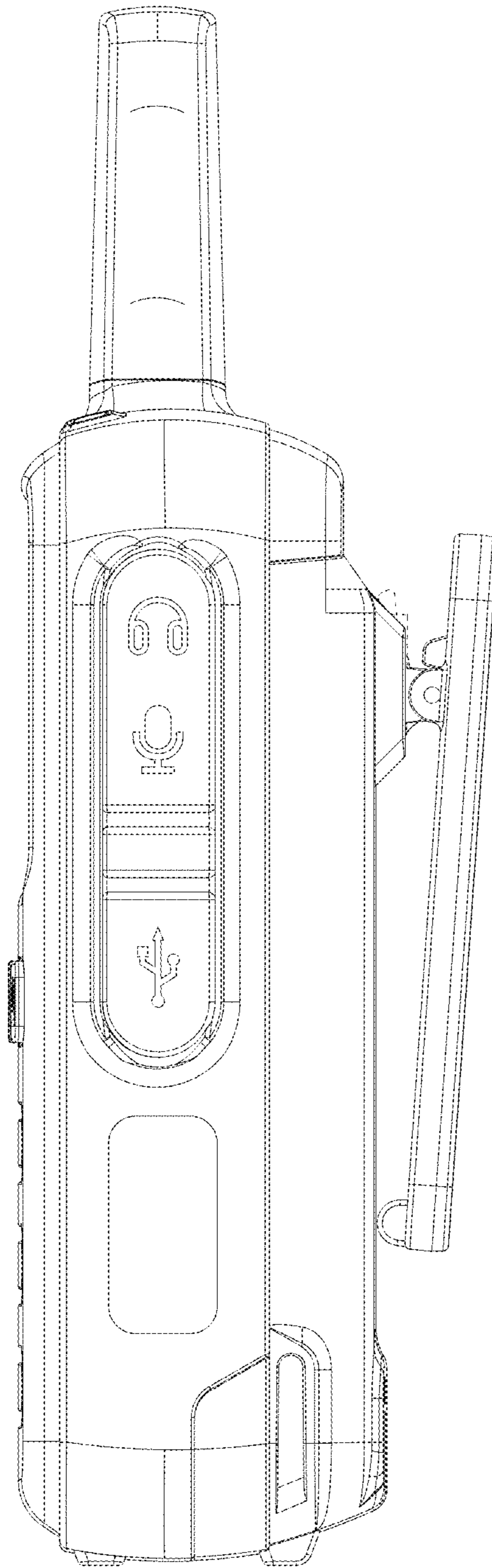


FIG. 4

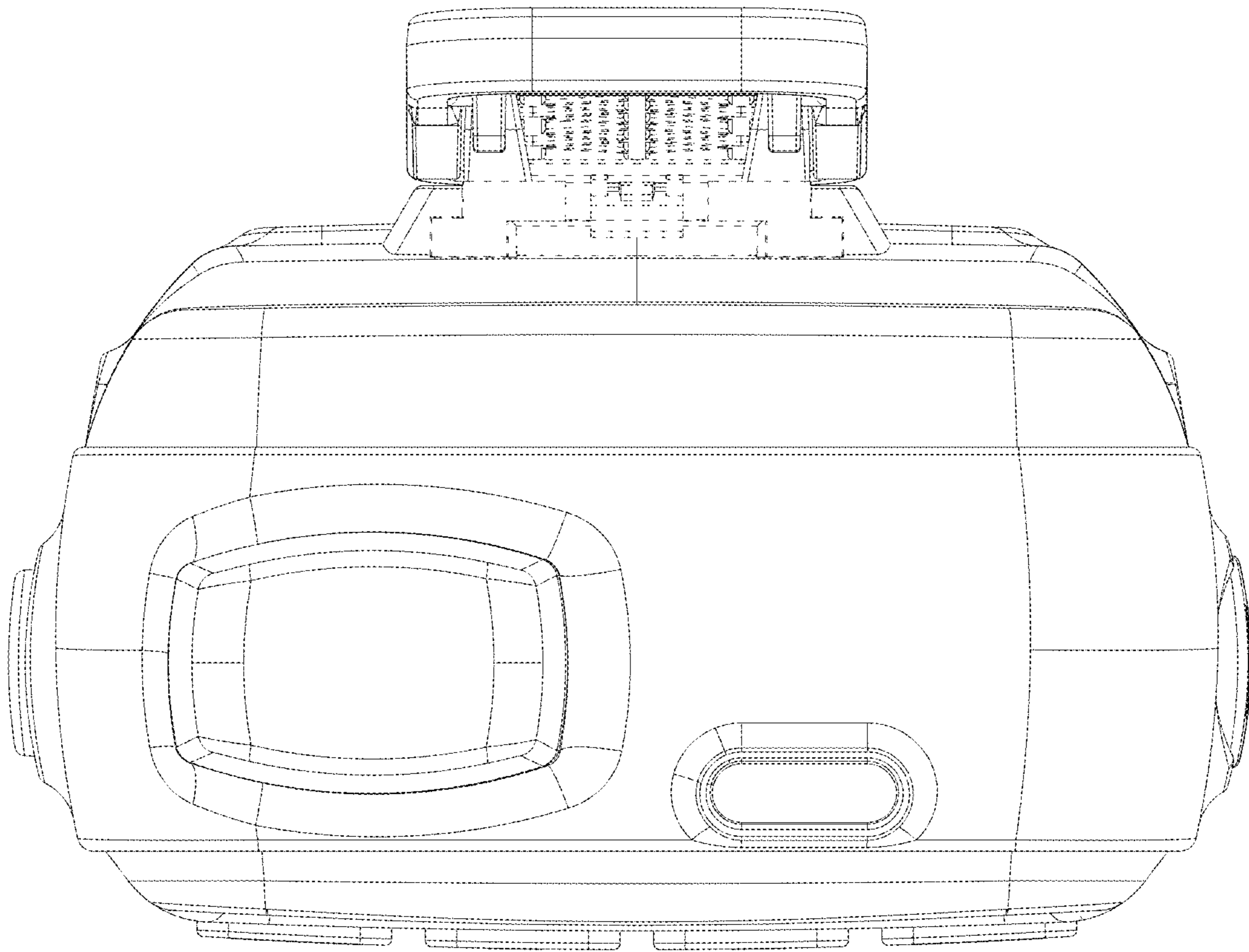


FIG. 5

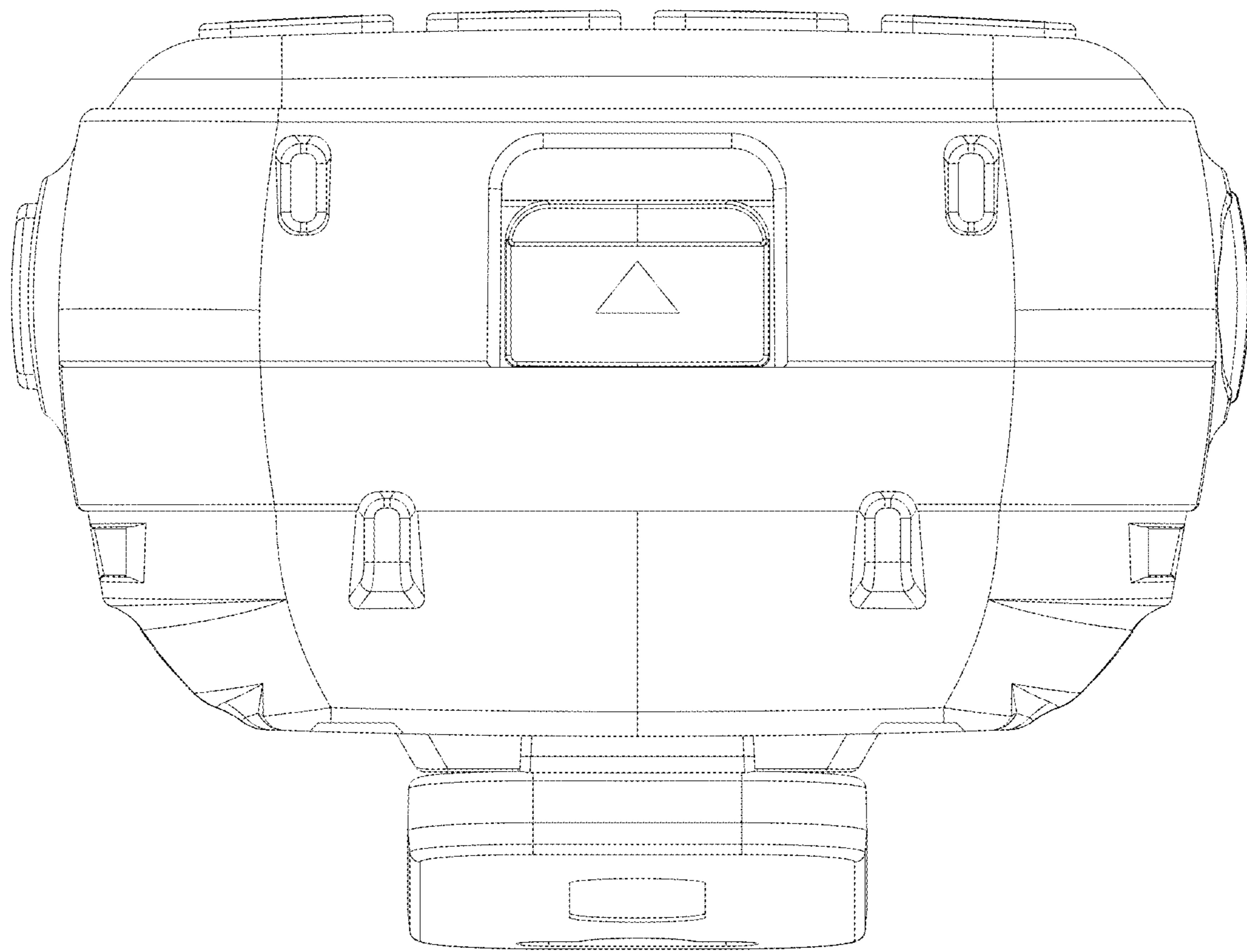


FIG. 6

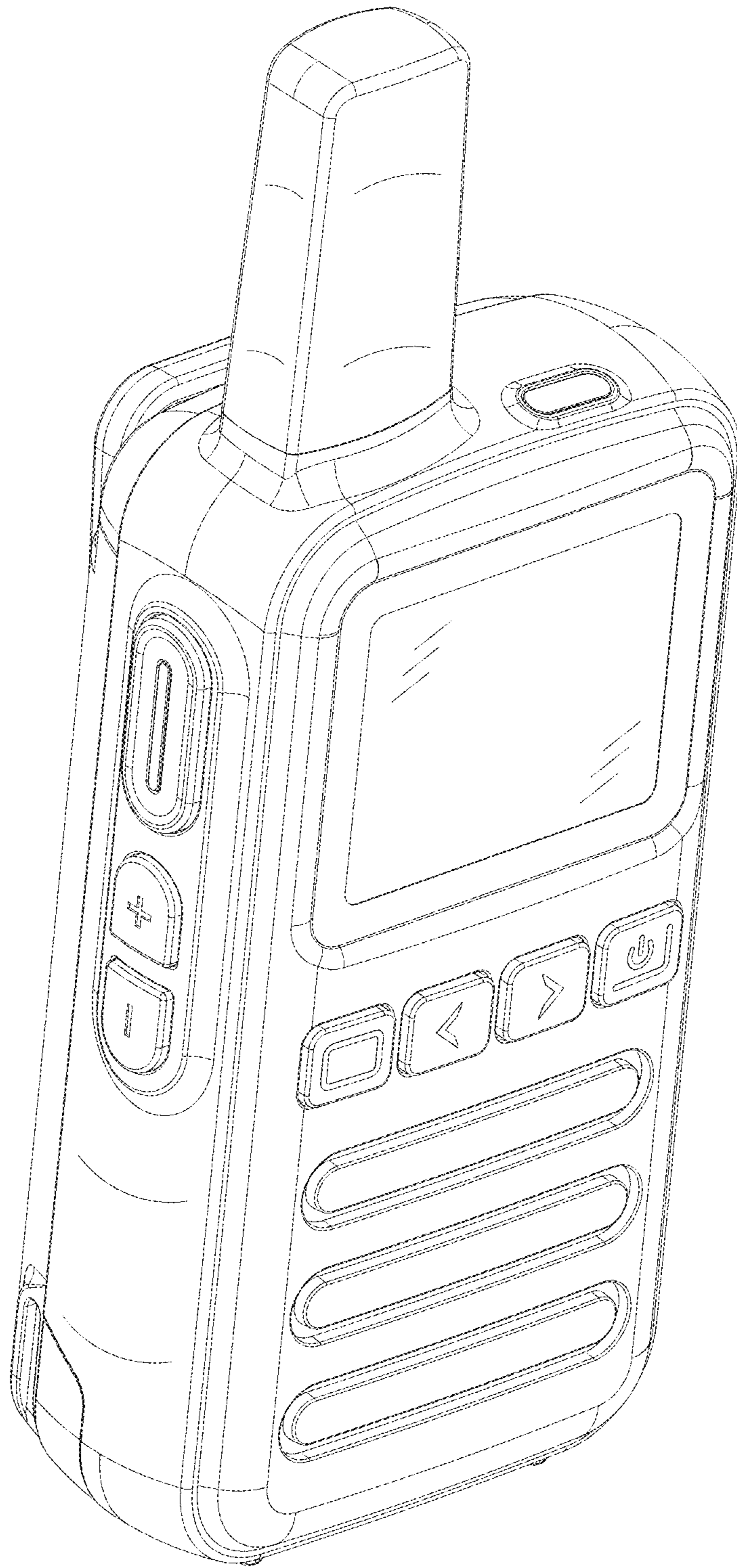


FIG. 7

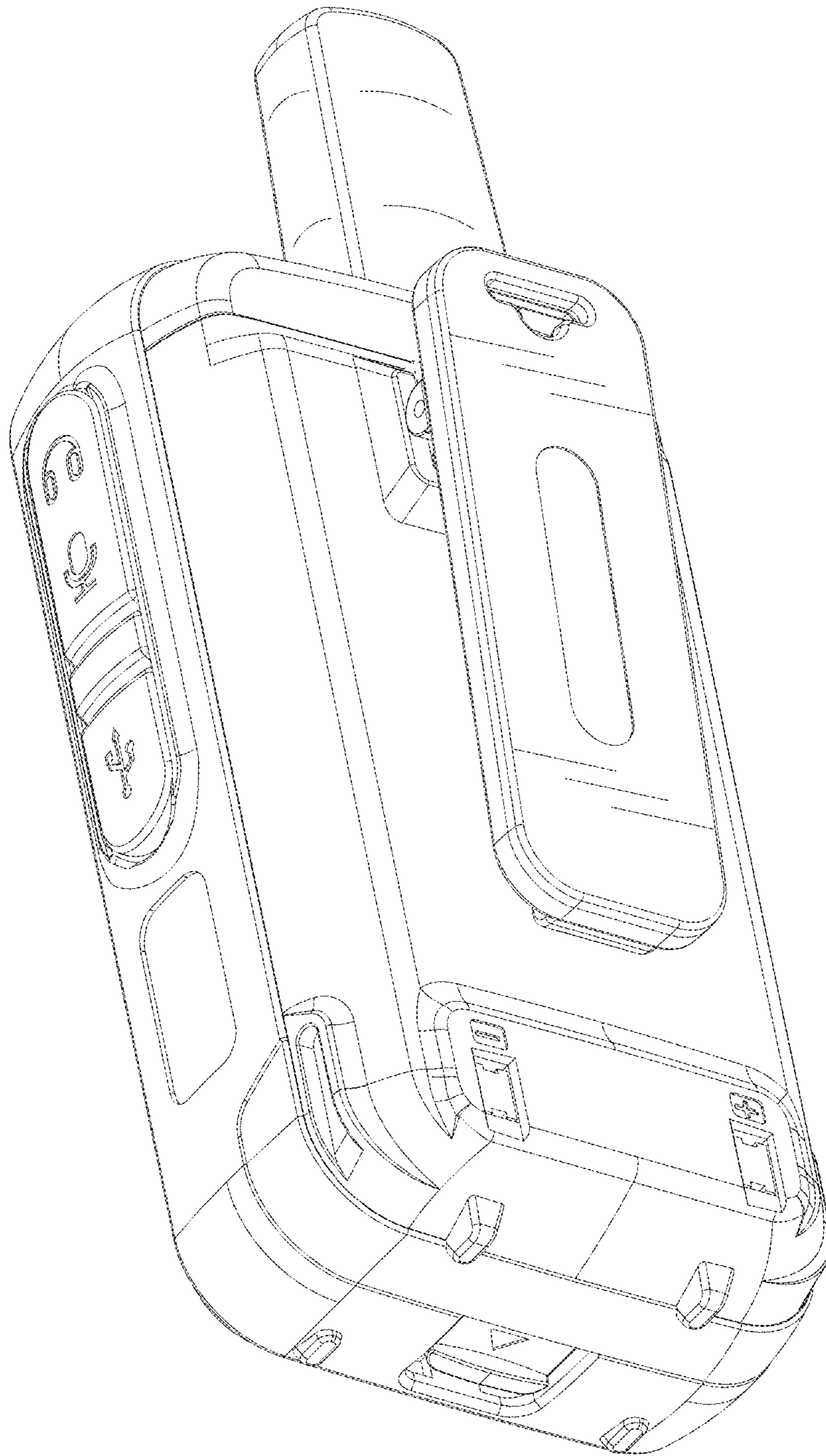


FIG. 8