



US00D951891S

(12) **United States Design Patent** (10) **Patent No.:** **US D951,891 S**
Wang (45) **Date of Patent:** **** May 17, 2022**

(54) **WALKIE-TALKIE**

(71) Applicant: **SHENZHEN HUIKE ELECTRONICS CO., LTD.**, Shenzhen (CN)

(72) Inventor: **Gongrang Wang**, Biyang County, Henan Province (CN)

(73) Assignee: **SHENZHEN HUIKE ELECTRONICS CO., LTD.**, Shenzhen (CN)

(**) Term: **15 Years**

(21) Appl. No.: **29/735,820**

(22) Filed: **May 25, 2020**

(30) **Foreign Application Priority Data**

Dec. 27, 2019 (CN) 201930735592.5

(51) **LOC (13) Cl.** **14-03**

(52) **U.S. Cl.**
USPC **D14/137**

(58) **Field of Classification Search**
USPC D14/137, 138 AA, 138 AD, 138 G, D14/138 R, 142, 147, 148, 155, 157-159, D14/163-165, 168, 171, 172, 188, 191, D14/192, 194-198, 203.1, 203.3, 203.5, D14/203.7, 204, 210-216, 218, 219, 221, D14/226, 341, 342, 345, 346, 144; D21/324, 329, 331, 517, 566; D10/65, D10/78, 104.1, 104.2, 106.1; D13/168; D30/199

CPC .. H04B 1/3833; H04B 1/3827; H04B 1/3855; H04B 2001/3861; H04B 1/385; H04B 1/3883; H04B 2001/3855; H04B 2001/3872; H04M 1/23; H04M 1/233; H04M 1/7246; H04M 1/72427; H04M 1/03; H04M 1/035; H04M 1/0202; G08B

(Continued)

(56) **References Cited**

U.S. PATENT DOCUMENTS

D433,395 S * 11/2000 Wong D14/137
D433,396 S * 11/2000 Wong D14/137

(Continued)

FOREIGN PATENT DOCUMENTS

EM 007875919-0001 * 5/2020
GB 9007875919-0001 * 5/2020

OTHER PUBLICATIONS

“Admitrack Walkie Talkies for Kids . . .”, first available Jun. 23, 2020, amazon.com, [online], [site visited Dec. 30, 2021], Available from internet URL: <https://www.amazon.com/Admitrack-Handheld-Adventure-Parent-Child-Interaction/dp/B08BPCW24M> (Year: 2020).*

(Continued)

Primary Examiner — Kathleen L Jones

Assistant Examiner — Kourosh Taie-Tehrani

(74) *Attorney, Agent, or Firm* — Li & Cai Intellectual Property (USA) Office

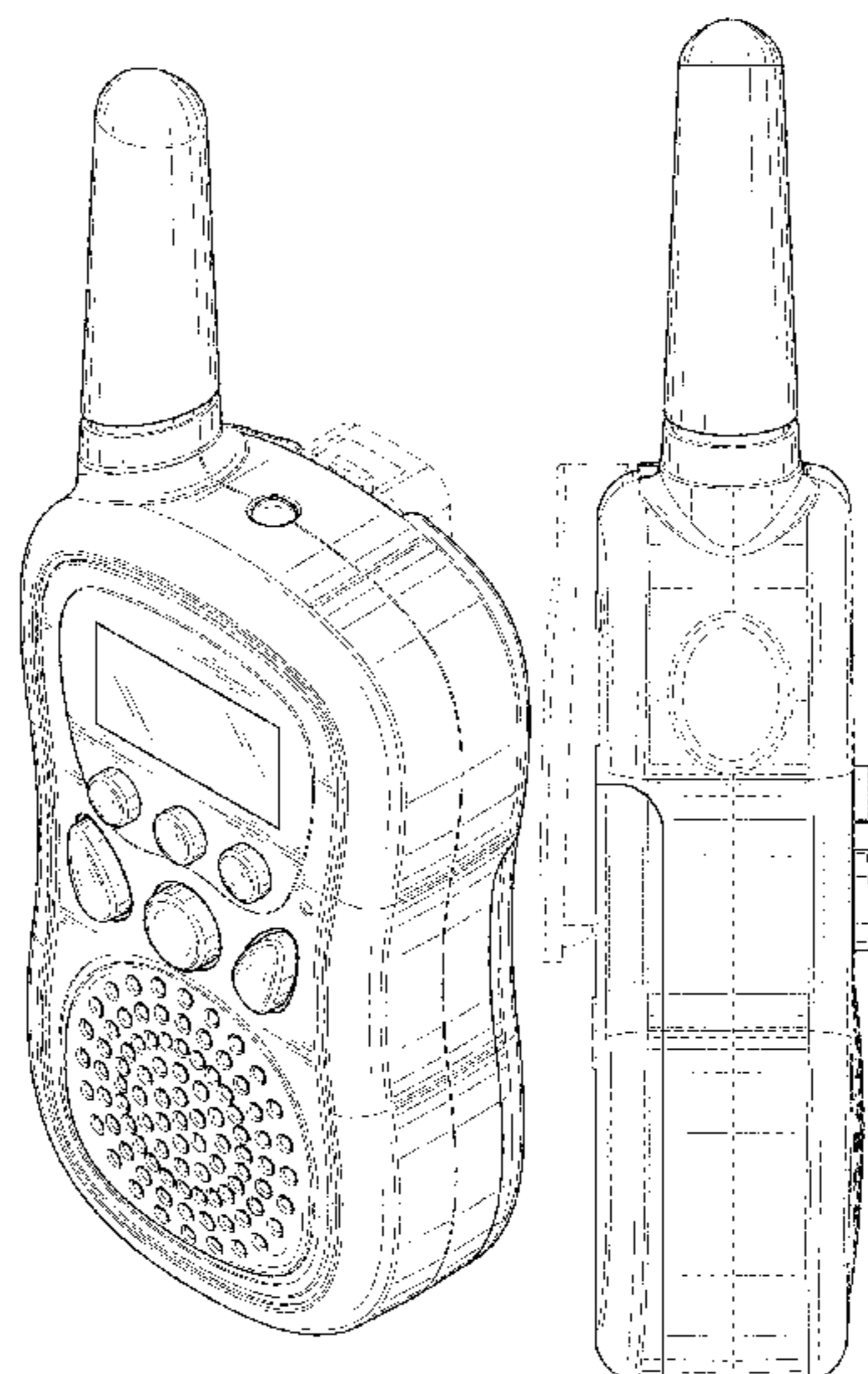
(57) **CLAIM**

The ornamental design for a walkie-talkie, as shown and described.

DESCRIPTION

FIG. 1 is a front, top and right side perspective view of a walkie-talkie showing my new design; FIG. 2 is a front elevational view thereof; FIG. 3 is a rear elevational view thereof; FIG. 4 is a left side elevational view thereof; FIG. 5 is a right side elevational view thereof; FIG. 6 is a top plan view thereof; and, FIG. 7 is a bottom plan view thereof. The broken lines in the drawing depict portions of the walkie-talkie that form no part of the claimed design.

1 Claim, 6 Drawing Sheets



(58) **Field of Classification Search**

CPC .. 21/0202; H04R 2410/00; H04R 1/00; H04R
2410/01; H04R 2410/03; H04R 2410/05;
H04R 2410/07; H04R 27/00; H04R
27/02; H04R 27/04

See application file for complete search history.

(56) **References Cited**

U.S. PATENT DOCUMENTS

D467,565	S	*	12/2002	Pesqueira	D14/137
D467,566	S	*	12/2002	Mirabelli	D14/137
D467,888	S	*	12/2002	Mirabelli	D14/137
D862,812	S	*	10/2019	Jia	D30/199
D880,442	S	*	4/2020	Wang	D14/137
D881,148	S	*	4/2020	Wang	D14/137
D891,385	S	*	7/2020	Zhang	D14/137
D914,628	S	*	3/2021	Wang	D14/137
D914,629	S	*	3/2021	Wang	D14/137
D925,485	S	*	7/2021	Wang	D14/137
2010/0203849	A1	*	8/2010	Straub	H04B 1/38 455/90.2
2013/0287213	A1	*	10/2013	Sekiyama	H04M 1/18 381/55

OTHER PUBLICATIONS

“Huaker Kids Walkie Talkies . . .”, first available Mar. 13, 2019, amazon.com, [online], [site visited Dec. 22, 2021], Available from internet URL: <https://www.amazon.com/Huaker-Talkies-Channels-Flashlight-Adventures/dp/B07PBSM9C8> (Year: 2019).*

* cited by examiner

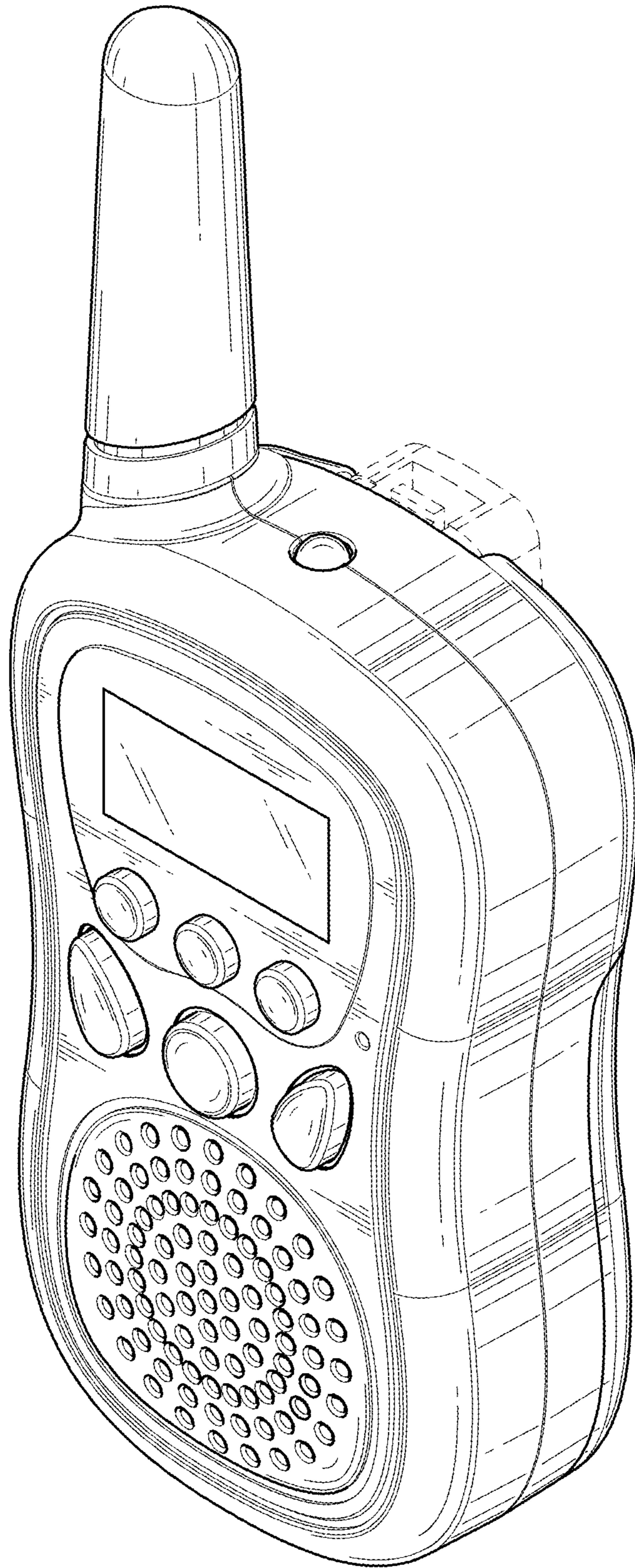


FIG. 1

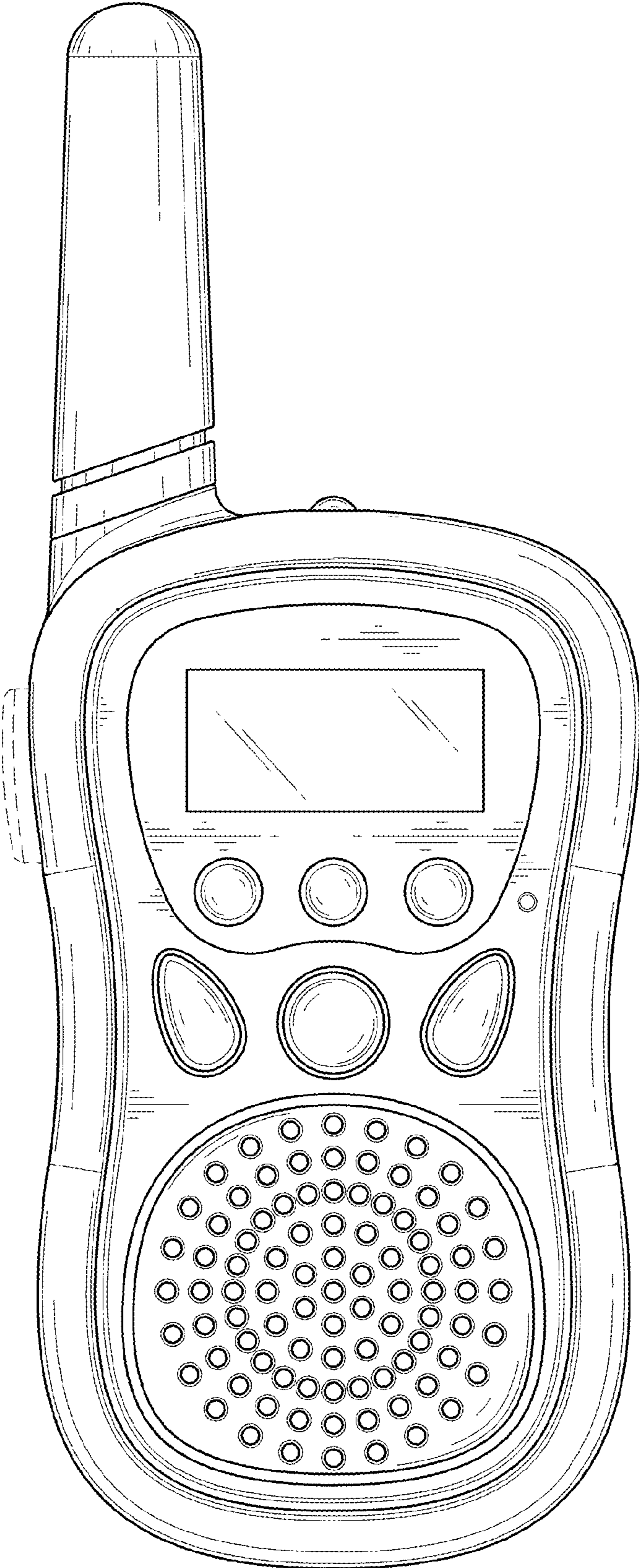


FIG. 2

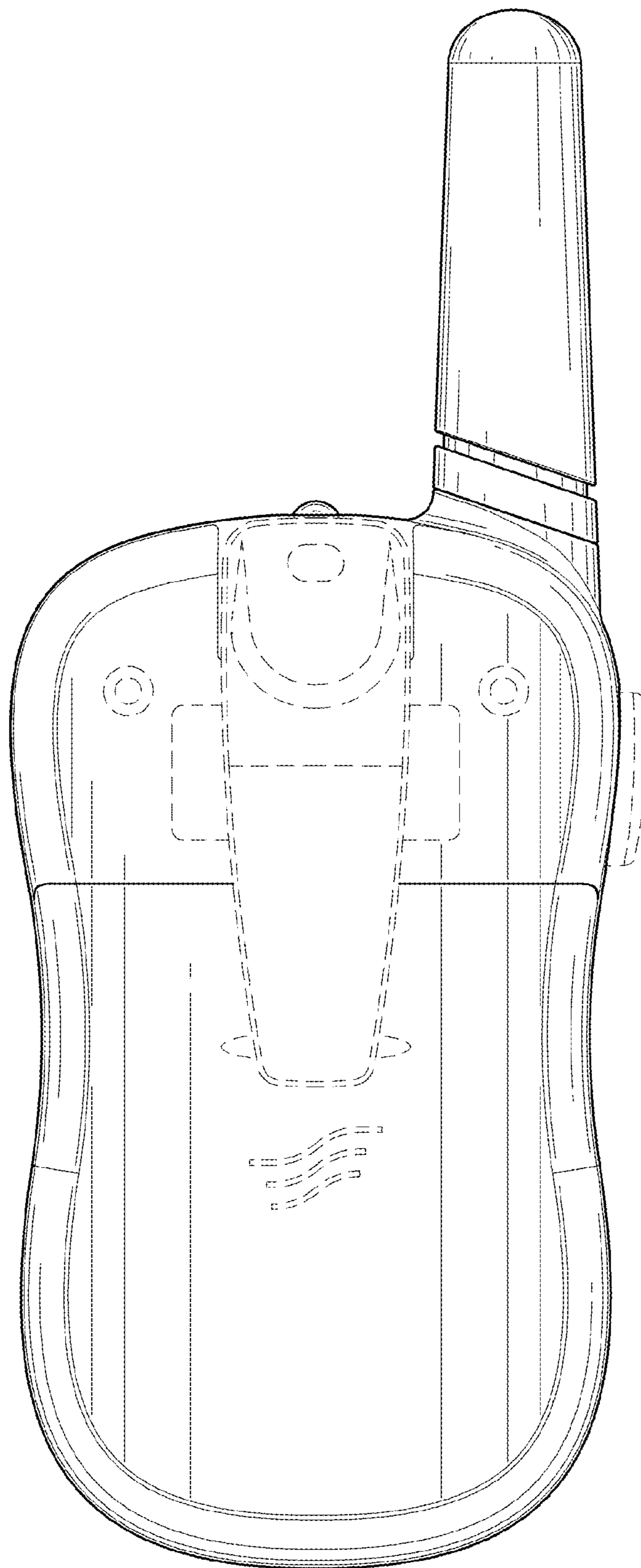


FIG. 3

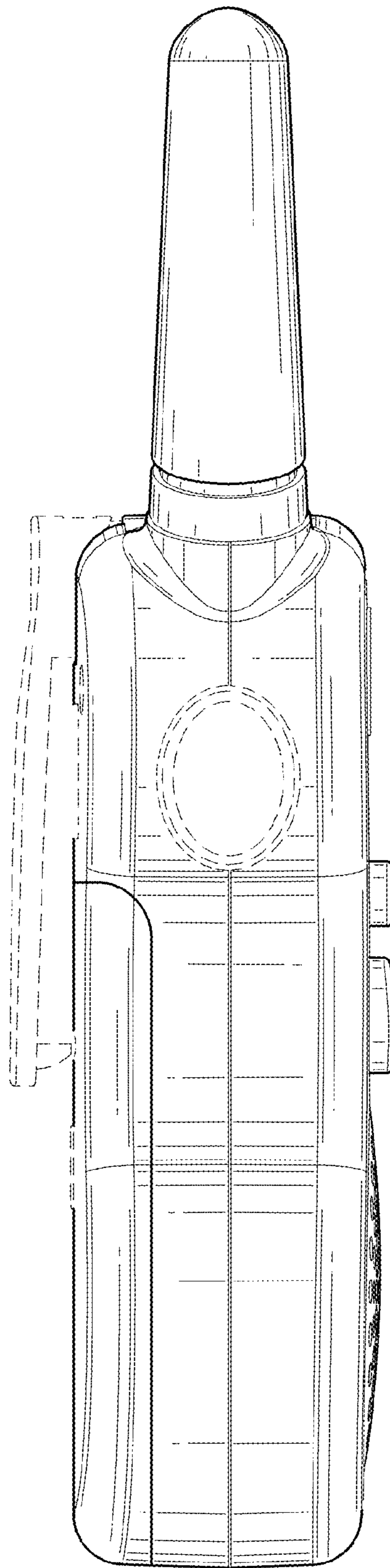


FIG. 4

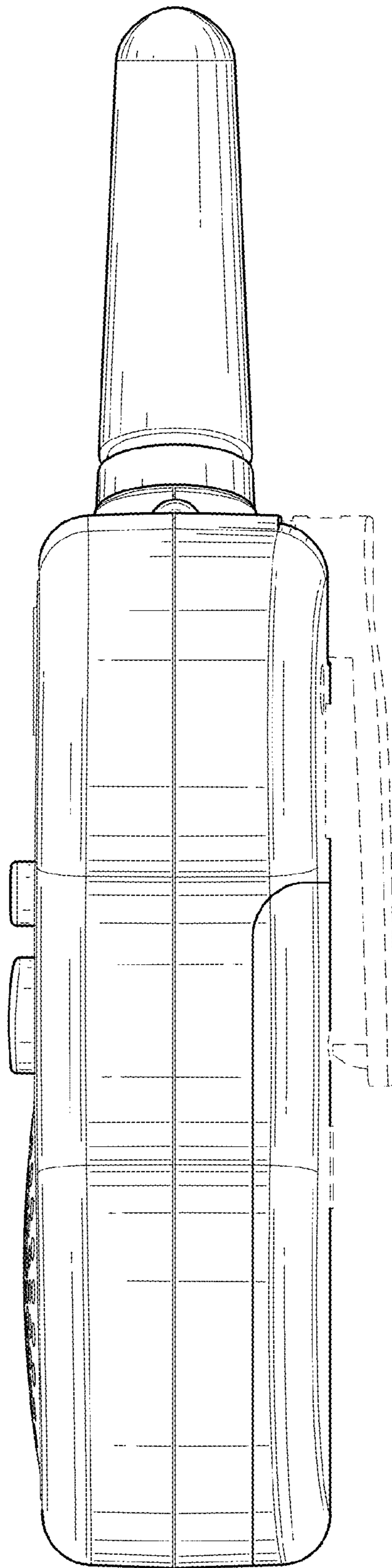


FIG. 5

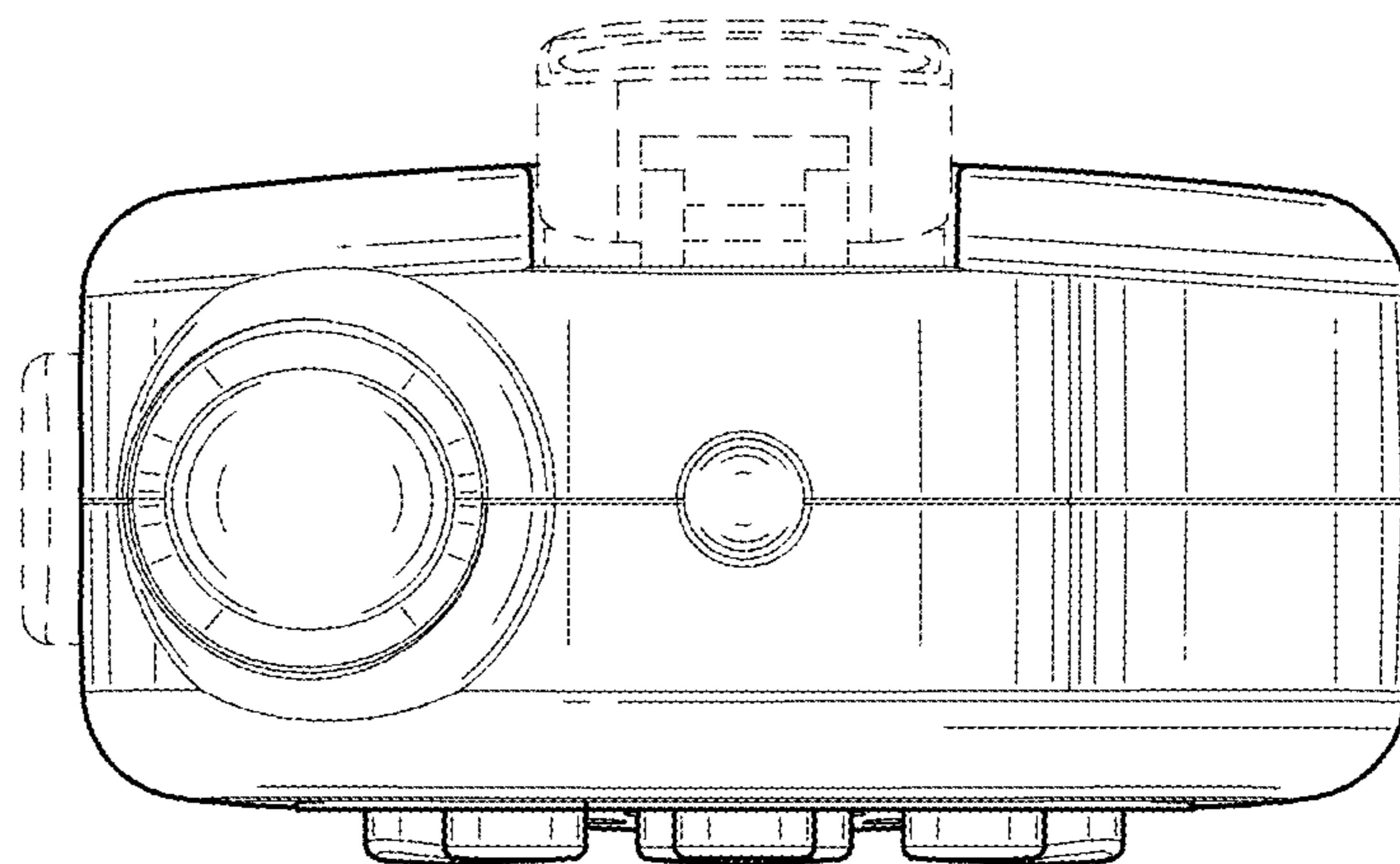


FIG. 6

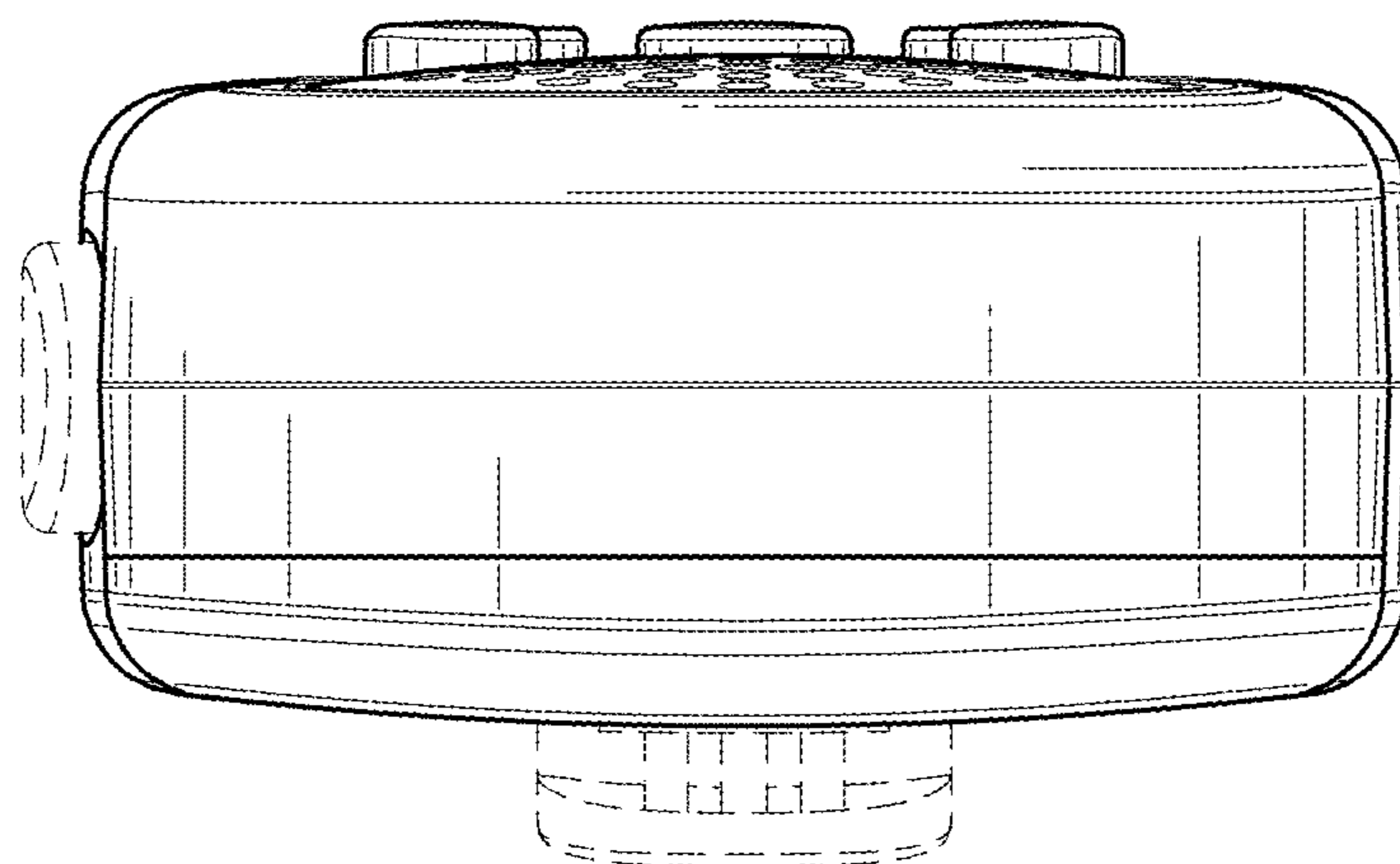


FIG. 7