



US00D951888S

(12) **United States Design Patent** (10) **Patent No.:** **US D951,888 S**  
**Altonen et al.** (45) **Date of Patent:** **\*\* \*May 17, 2022**

(54) **KEYPAD**

(71) Applicant: **Lutron Technology Company LLC**,  
Coopersburg, PA (US)

(72) Inventors: **Gregory Altonen**, Easton, PA (US);  
**Jason C. Killo**, Emmaus, PA (US);  
**Matthew Philip McDonald**,  
Phoenixville, PA (US); **Sean Tucker**,  
Bethlehem, PA (US)

(73) Assignee: **Lutron Technology Company LLC**,  
Coopersburg, PA (US)

(\*) Notice: This patent is subject to a terminal dis-  
claimer.

(\*\*) Term: **15 Years**

(21) Appl. No.: **29/782,421**

(22) Filed: **May 6, 2021**

**Related U.S. Application Data**

(63) Continuation of application No. 29/616,874, filed on  
Sep. 9, 2017, now Pat. No. Des. 922,334.

(51) **LOC (13) Cl.** ..... **13-03**

(52) **U.S. Cl.**  
USPC ..... **D13/164**

(58) **Field of Classification Search**  
USPC ..... D13/162, 164, 171

(Continued)

(56) **References Cited**

**U.S. PATENT DOCUMENTS**

1,796,226 A 3/1931 Tombler  
2,215,260 A 9/1940 Woodward

(Continued)

**OTHER PUBLICATIONS**

Legrand®, Mallia™ Catalogue, "Look Touch Love Woo," Apr.  
2010 (28 pages).

(Continued)

*Primary Examiner* — Selina Sikder

(74) *Attorney, Agent, or Firm* — Saidman DesignLaw  
Group, LLC

(57) **CLAIM**

The ornamental design for a keypad, as shown and  
described.

**DESCRIPTION**

FIG. 1 is a front perspective view of a keypad showing our  
new design;

FIG. 2 is a front view thereof;

FIG. 3 is a left side view thereof;

FIG. 4 is a right side view thereof;

FIG. 5 is a top view thereof;

FIG. 6 is a bottom view thereof;

FIG. 7 is an enlarged view of a portion of FIG. 1;

FIG. 8 is a front perspective view of a second embodiment  
thereof;

FIG. 9 is a front view thereof;

FIG. 10 is a left side view thereof;

FIG. 11 is a right side view thereof;

FIG. 12 is a top view thereof;

FIG. 13 is a bottom view thereof;

FIG. 14 is an enlarged view of a portion of FIG. 8;

FIG. 15 is a front perspective view of a third embodiment  
thereof;

FIG. 16 is a front view thereof;

FIG. 17 is a left side view thereof;

FIG. 18 is a right side view thereof;

FIG. 19 is a top view thereof;

FIG. 20 is a bottom view thereof; and,

FIG. 21 is an enlarged view of a portion of FIG. 15.

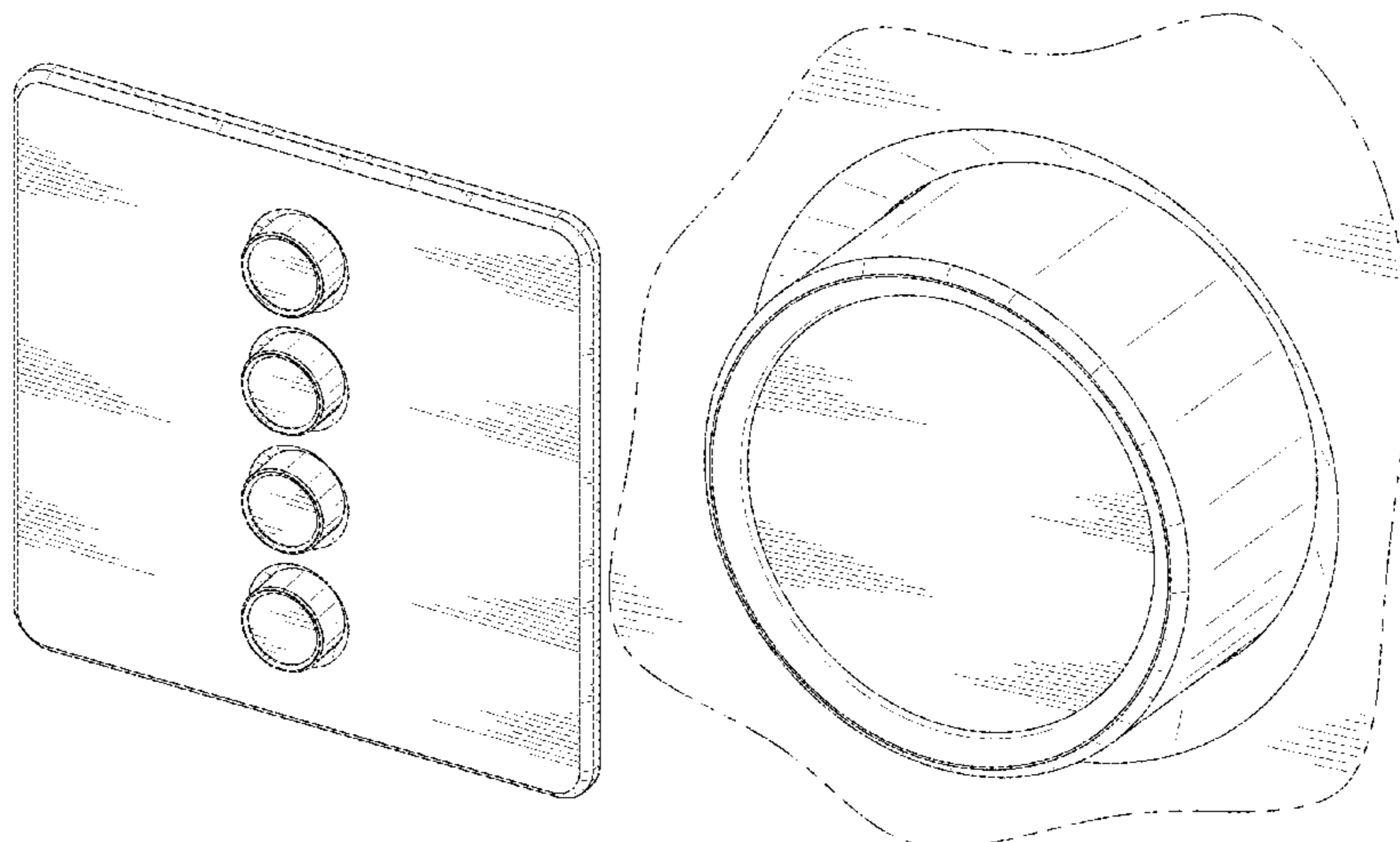
The contour of the buttons in FIGS. 8-21 is the same as the  
contour of the buttons in FIGS. 1-7.

The uniform dashed broken lines illustrate structure or  
features which form no part of the claimed design.

In FIGS. 7, 14, and 21, the broken lines encircle portions of  
the claimed design that are illustrated in enlargements.

The dark gray shading represents a matte surface, not  
surface ornamentation or any particular color.

(Continued)



The light gray shading represents a reflective/shiny surface, not surface ornamentation or any particular color.

2010/0270138 A1 10/2010 Yamanaka  
 2020/0381191 A1\* 12/2020 Duncan ..... F21V 19/001  
 2021/0257170 A1\* 8/2021 Blair ..... H01H 13/70

**1 Claim, 15 Drawing Sheets**

(58) **Field of Classification Search**

CPC .. H01H 3/12; H01H 9/02; H01H 9/16; H01H 9/18; H01H 9/181; H01H 9/182; H01H 13/04; H01H 13/14; H01H 2009/187; H05B 39/02; H05B 39/04; H05B 39/085; H05B 39/086; H05B 39/088

See application file for complete search history.

(56) **References Cited**

U.S. PATENT DOCUMENTS

3,185,803	A	5/1965	Driscoll	
3,186,981	A	6/1965	Ronde	
D335,283	S *	5/1993	Justiniano .....	D13/171
D360,235	S	7/1995	Emrys-Roberts et al.	
5,834,695	A	11/1998	Herbert	
D433,954	S	11/2000	Delsart	
D453,742	S	2/2002	Butler et al.	
D510,074	S	9/2005	Larson et al.	
D547,273	S	7/2007	Miarta et al.	
D573,956	S	7/2008	Hollner et al.	
D595,240	S	6/2009	Busbridge	
D621,795	S	8/2010	Tsui et al.	
D635,102	S	3/2011	Tsui et al.	
D652,087	S	1/2012	Dawes	
D663,700	S	7/2012	Deal	
8,786,196	B2	7/2014	Biery et al.	
D777,688	S	1/2017	Seidl et al.	
D817,898	S *	5/2018	Seidl .....	D13/164
D921,595	S *	6/2021	Altonen .....	D13/164
D921,596	S *	6/2021	Altonen .....	D13/164
D922,334	S *	6/2021	Altonen .....	D13/164
D922,965	S *	6/2021	Altonen .....	D13/162
11,107,648	B2 *	8/2021	Duncan .....	F21V 3/0625
2010/0059351	A1	3/2010	Wu et al.	

OTHER PUBLICATIONS

Arnould, Art d' Arnould Brochure (English version), Apr. 2011 (52 pages).  
 Meljac, Catalogue 2014 (108 pages).  
 Forbes & Lomax, Catalogue, available at least as early as Sep. 9, 2017 (15 pages).  
 Knightsbridge Catalogue, Lighting and Wiring Accessories, 2015, p. 8, 36; [https://issuu.com/mlaccessorieslimited/docs/2015\\_mla\\_catalogue](https://issuu.com/mlaccessorieslimited/docs/2015_mla_catalogue).  
 Varilight-Catalogue; <https://www.varilight.co.uk/varilight-catalogue.pdf>.  
<http://www.legrand.com.vn/mallia/downloads/mallia.pdf>, 2010, 30 pages.  
 Clipsal 4061 PBLHB; Mar. 31, 2014; 1 pg. [https://www.bing.com/videos/search?q=saturn+horizon+switch&&view=detail&mid=29784129A37E9021\\_BA0629784129A37E9021\\_BA06&&FORM=VRDGAR&ru=%2Fvideos%2Fsearch%3Fq%3Dsatur%2Bhorizon%2Bswitch%26%26FORM%3DVDVXX](https://www.bing.com/videos/search?q=saturn+horizon+switch&&view=detail&mid=29784129A37E9021_BA0629784129A37E9021_BA06&&FORM=VRDGAR&ru=%2Fvideos%2Fsearch%3Fq%3Dsatur%2Bhorizon%2Bswitch%26%26FORM%3DVDVXX).  
 Clipsal 4063PB Push Button Switch; before 2017; 1 pg.  
 Topshall Illuminated Wall Mount Push Switch; before 2017; 1 pg; [https://www.google.com/search?hl=en&biw=1536&bih=w813&tbm=isch&sa=1&ei=Op-fXblw5qSCB9e7olAO&q=push+button+dimmer+switch+before+2017&oq=push+button+dimmer+switch+before+2017&gs\\_l=img.3...3379.7032..8742...0.0..0.67.630.12.....0....1..gws-wiz-img](https://www.google.com/search?hl=en&biw=1536&bih=w813&tbm=isch&sa=1&ei=Op-fXblw5qSCB9e7olAO&q=push+button+dimmer+switch+before+2017&oq=push+button+dimmer+switch+before+2017&gs_l=img.3...3379.7032..8742...0.0..0.67.630.12.....0....1..gws-wiz-img).  
 RetroTouch 4 Gang 2 way Dimmer CT 02100; <https://www.lightswitchesandplugsockets.co.uk/retrotouch-4-gang-2-way-dimmer-switch-3-200w-led-halogen-wh-ite-g-lass-ct-02100-4720-p.asp>.  
 U.S. Appl. No. 29/625,371, filed Nov. 9, 2017 (unpublished).  
 U.S. Appl. No. 29/634,277, filed Jan. 19, 2018 (unpublished).  
 U.S. Appl. No. 29/634,284, filed Jan. 19, 2018 (unpublished).  
 U.S. Appl. No. 29/723,770, filed Feb. 10, 2020 (unpublished).  
 U.S. Appl. No. 29/753,872, filed Oct. 2, 2020 (unpublished).  
 U.S. Appl. No. 29/753,910, filed Oct. 4, 2020 (unpublished).  
 U.S. Appl. No. 29/753,911, filed Oct. 4, 2020 (unpublished).  
 U.S. Appl. No. 29/754,004, filed Oct. 5, 2020 (unpublished).

\* cited by examiner

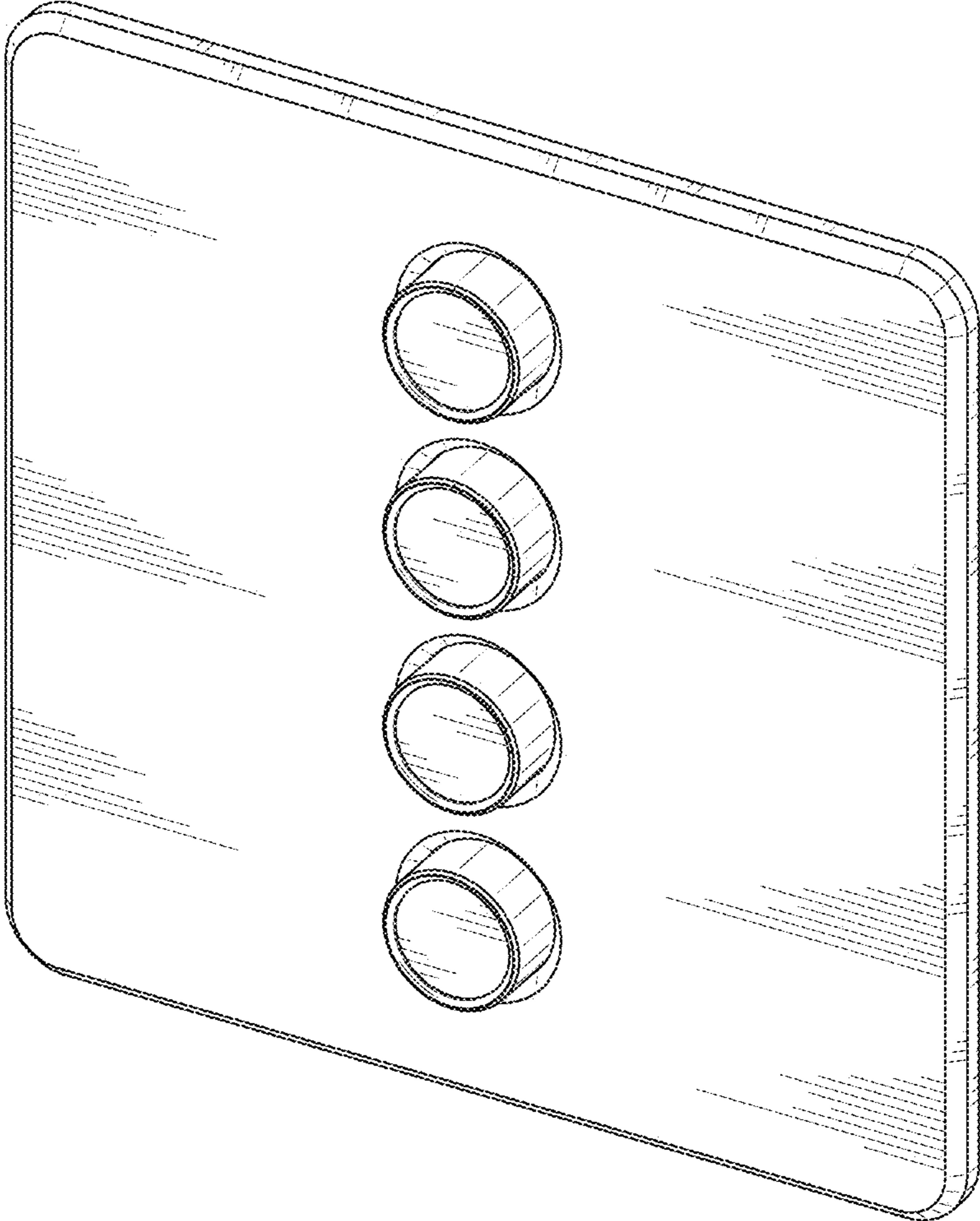


FIG. 1



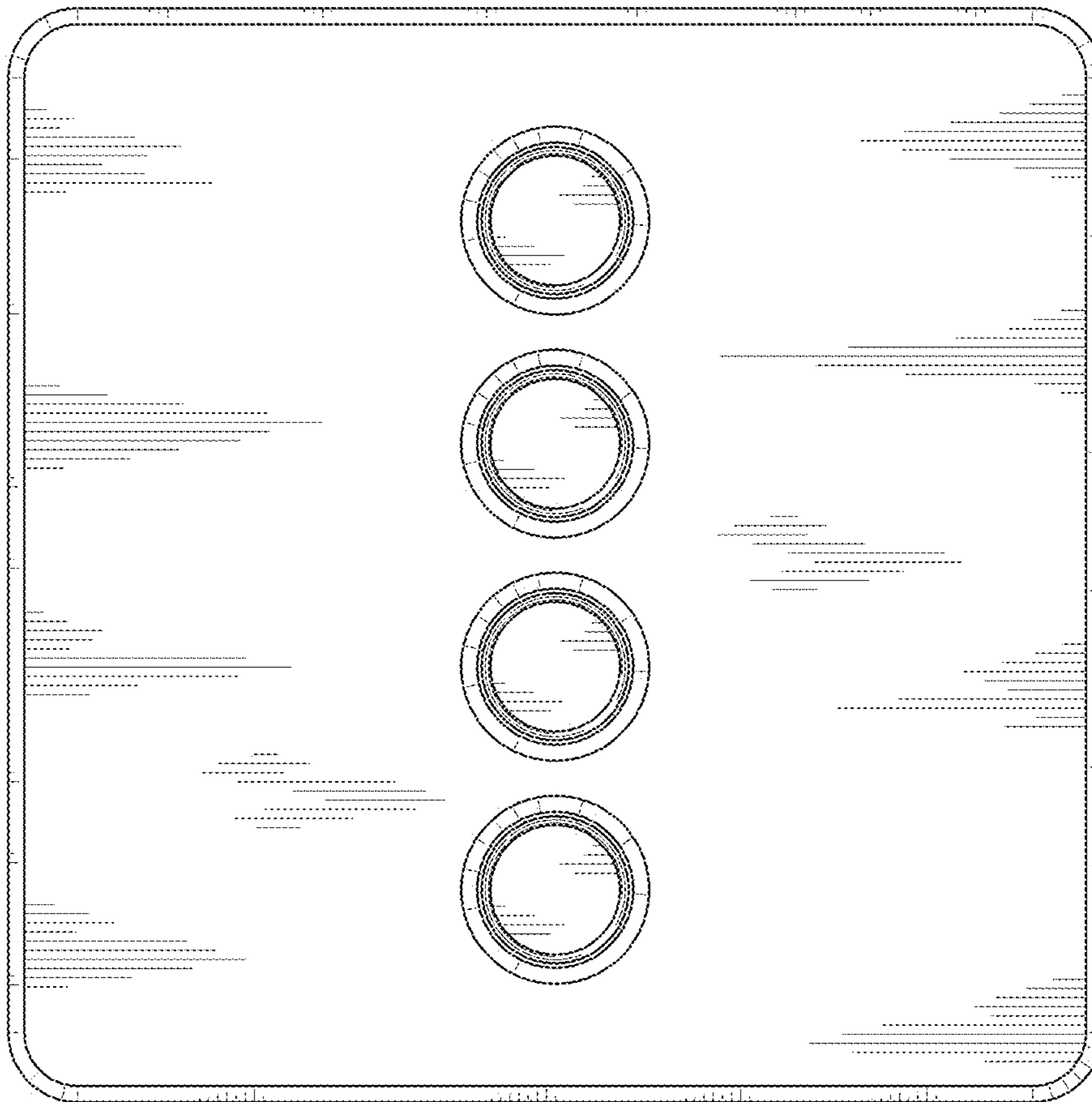


FIG. 2

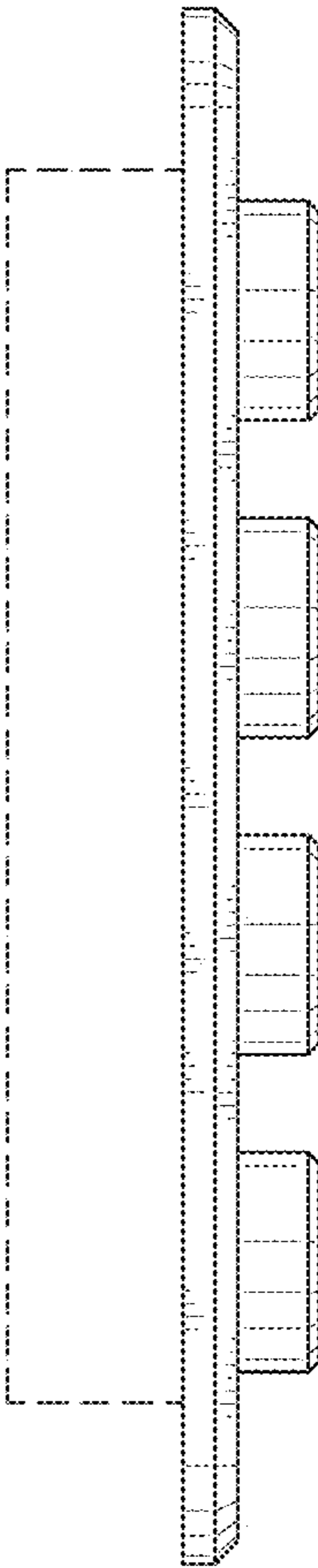


FIG. 3

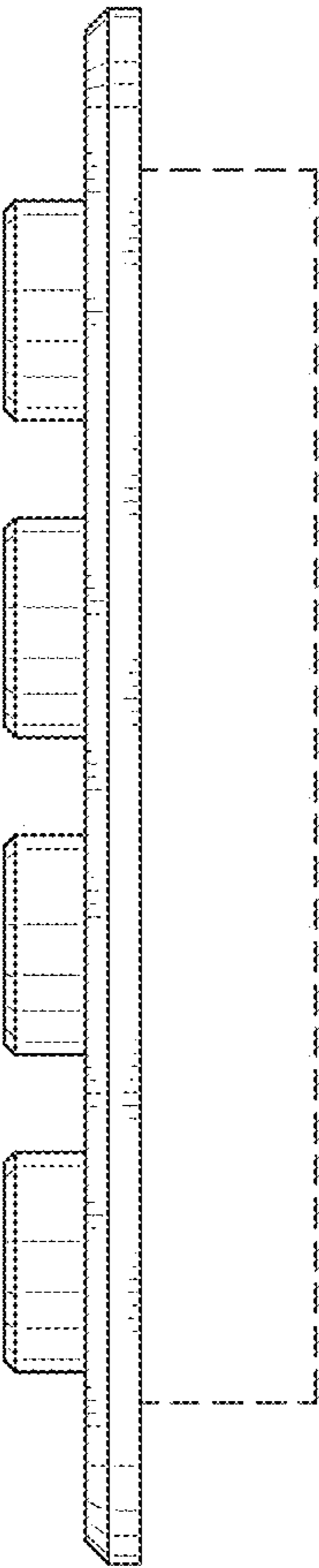


FIG. 4

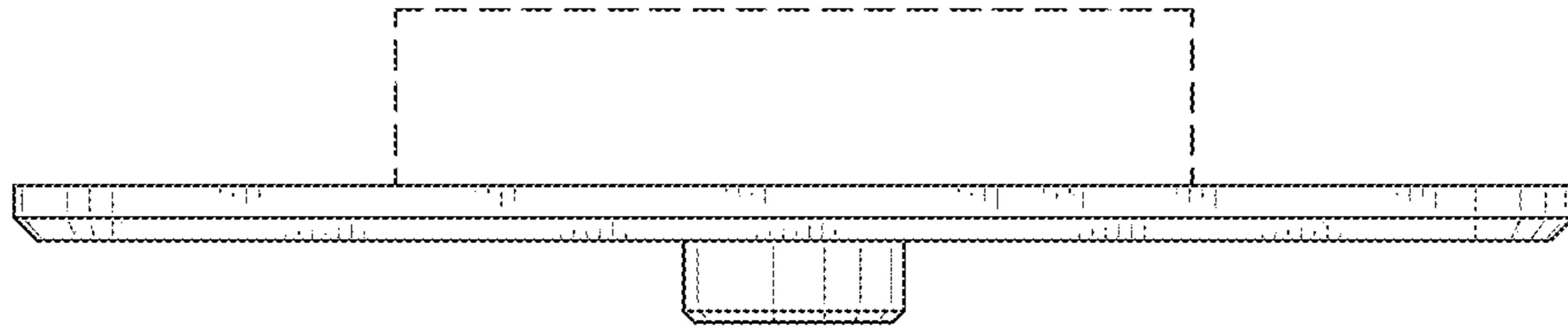


FIG. 5

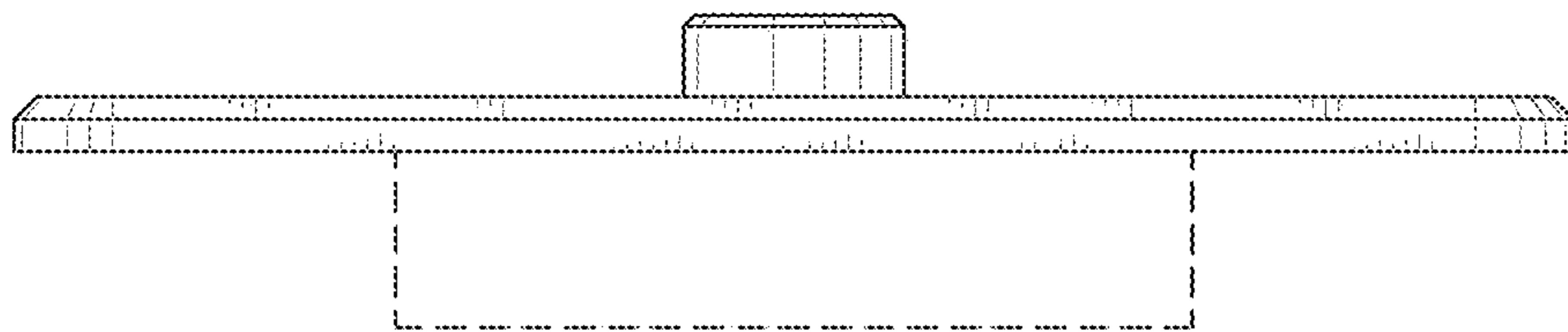


FIG. 6

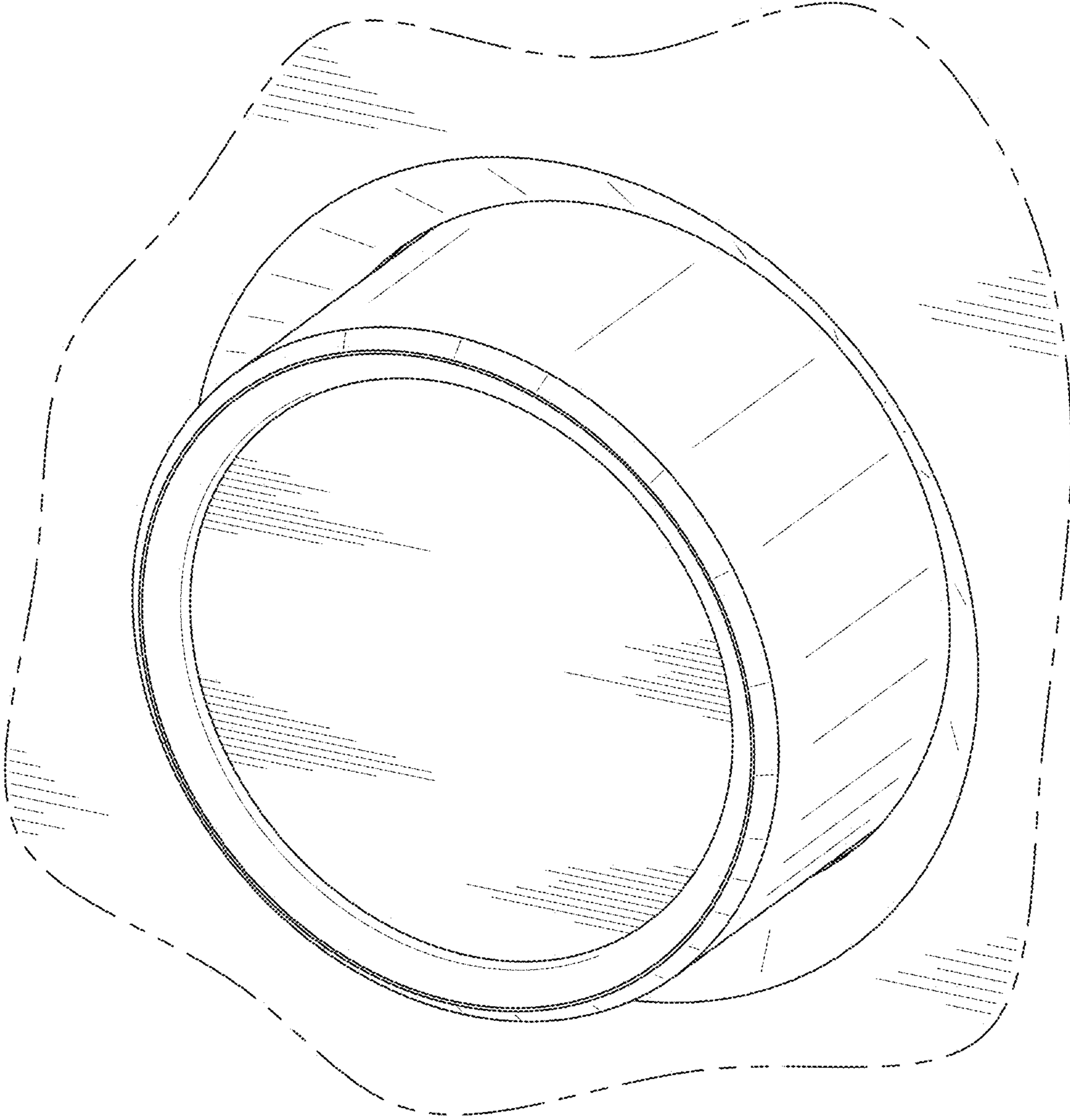


FIG. 7



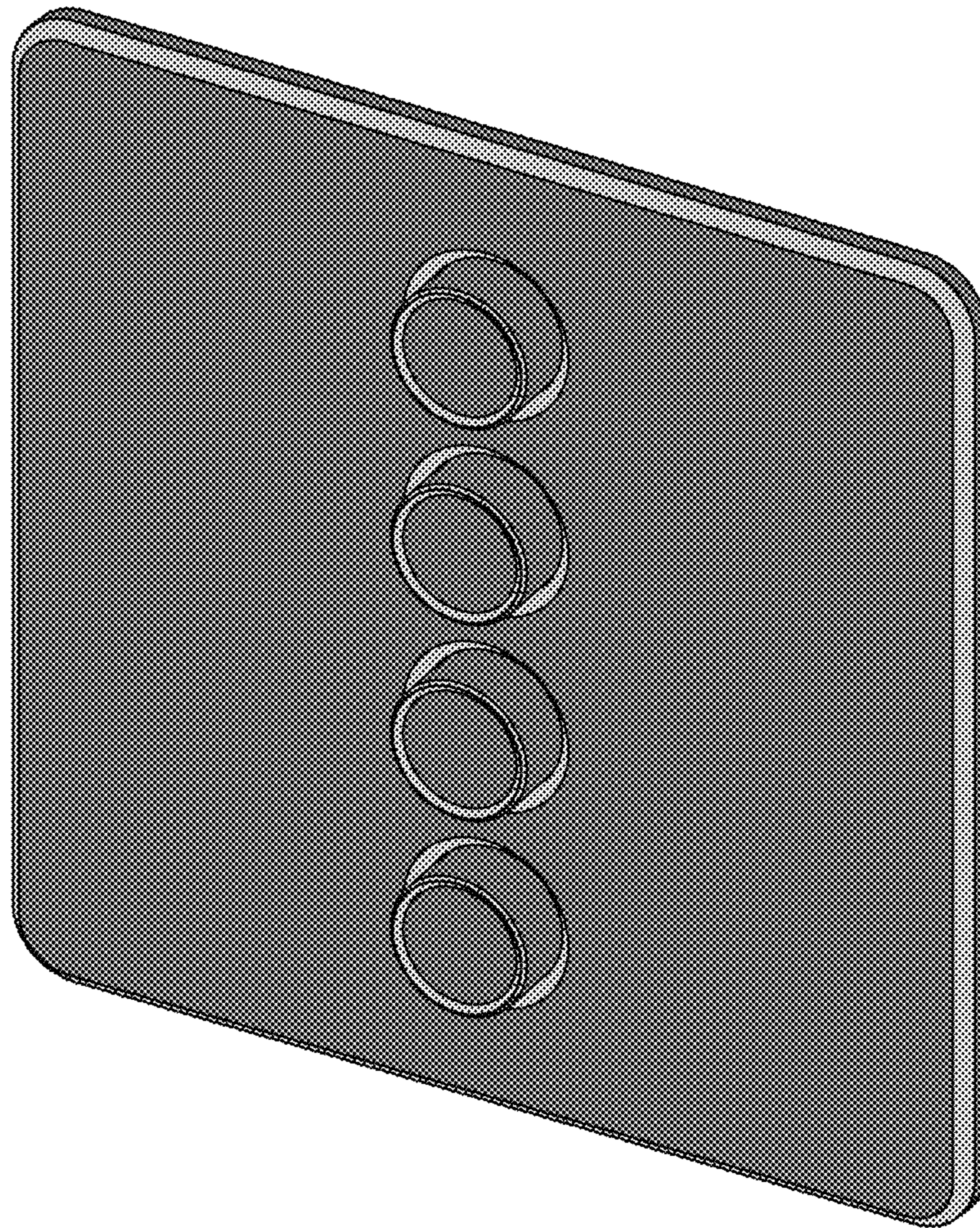


FIG. 8



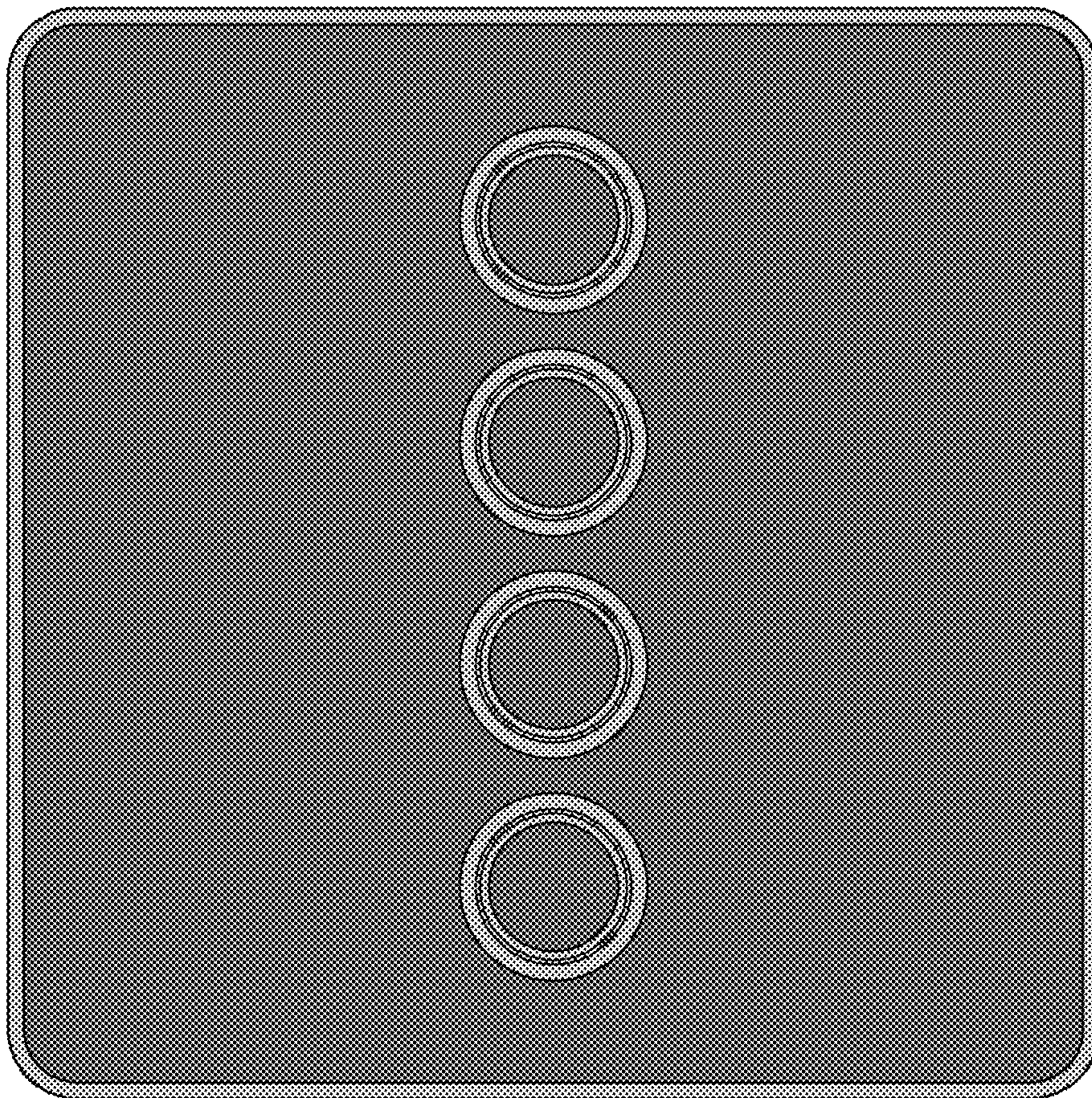


FIG. 9



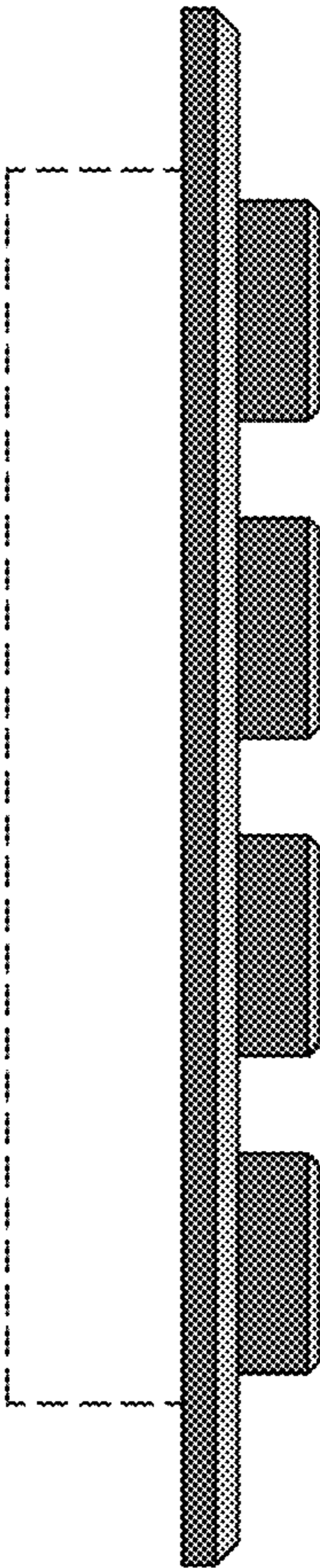


FIG. 10

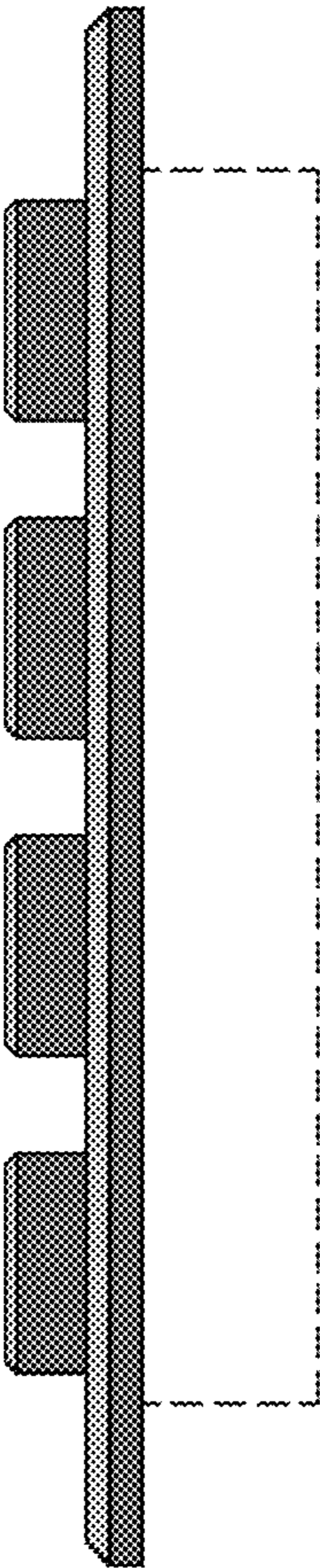


FIG. 11

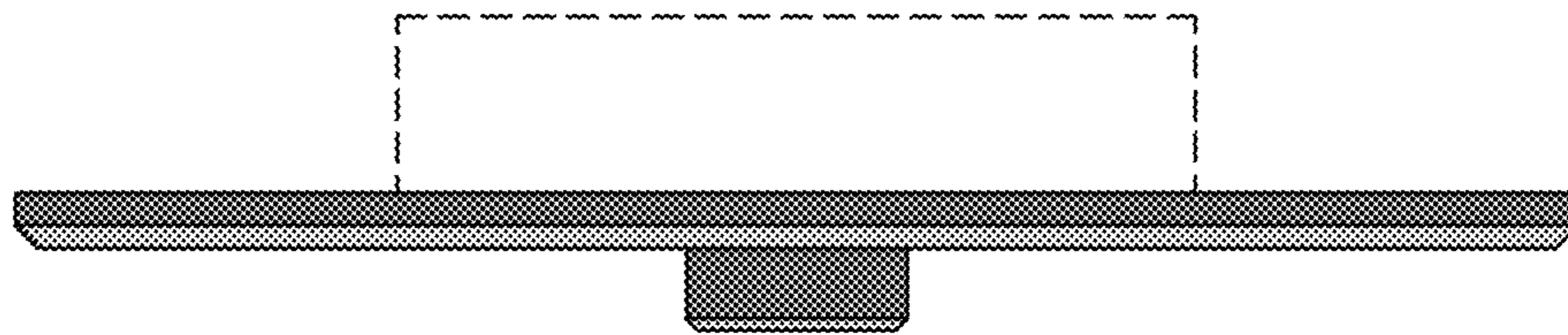


FIG. 12

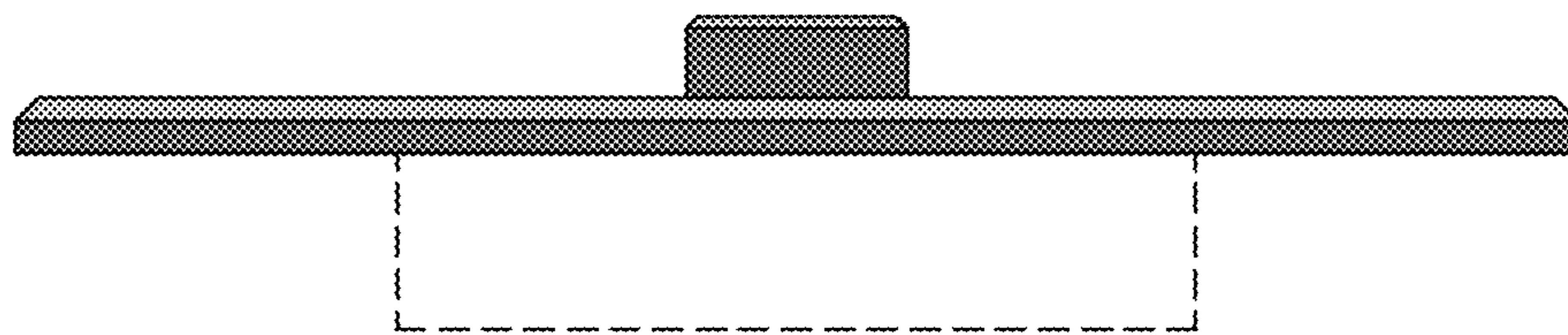


FIG. 13



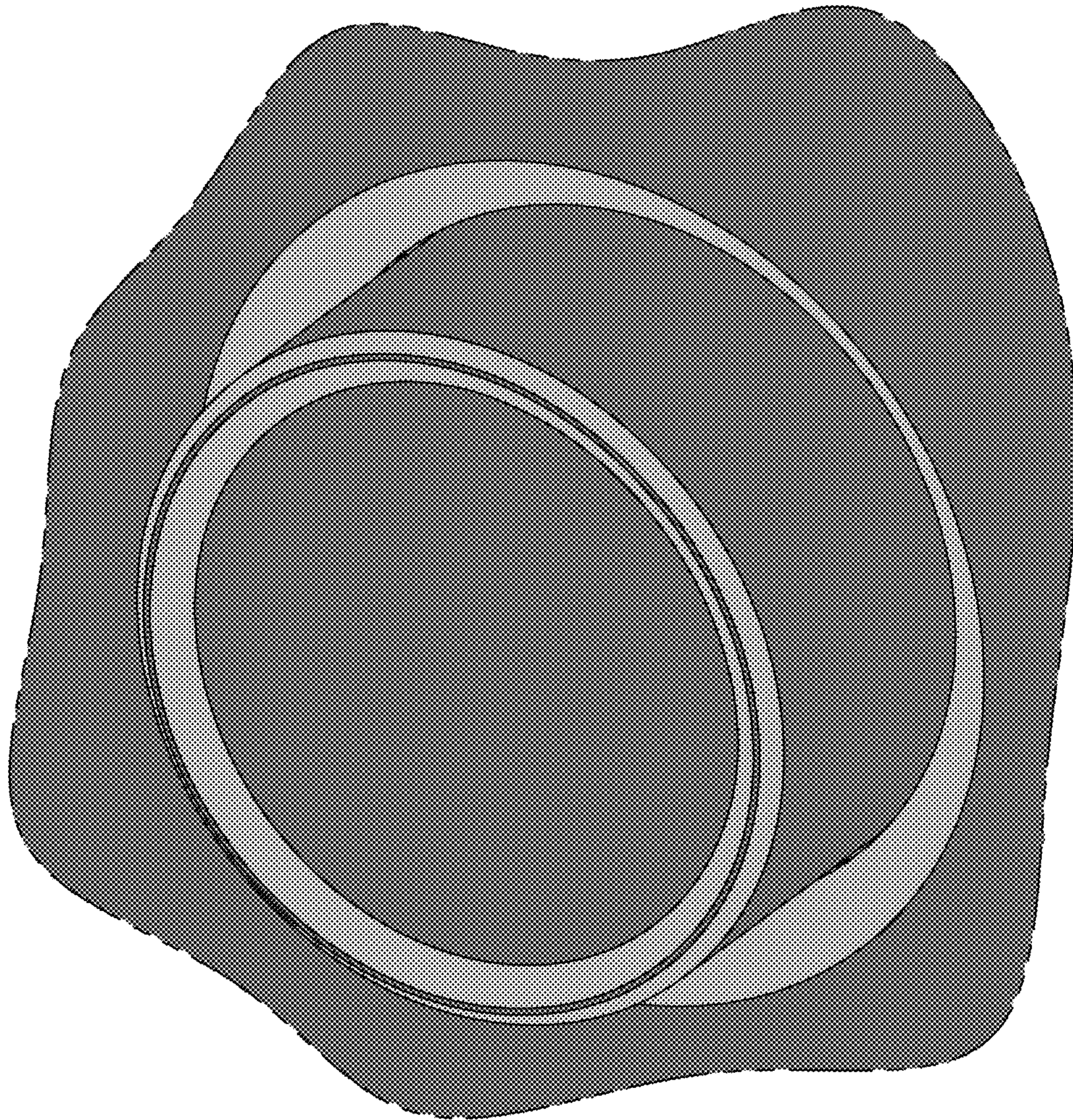


FIG. 14



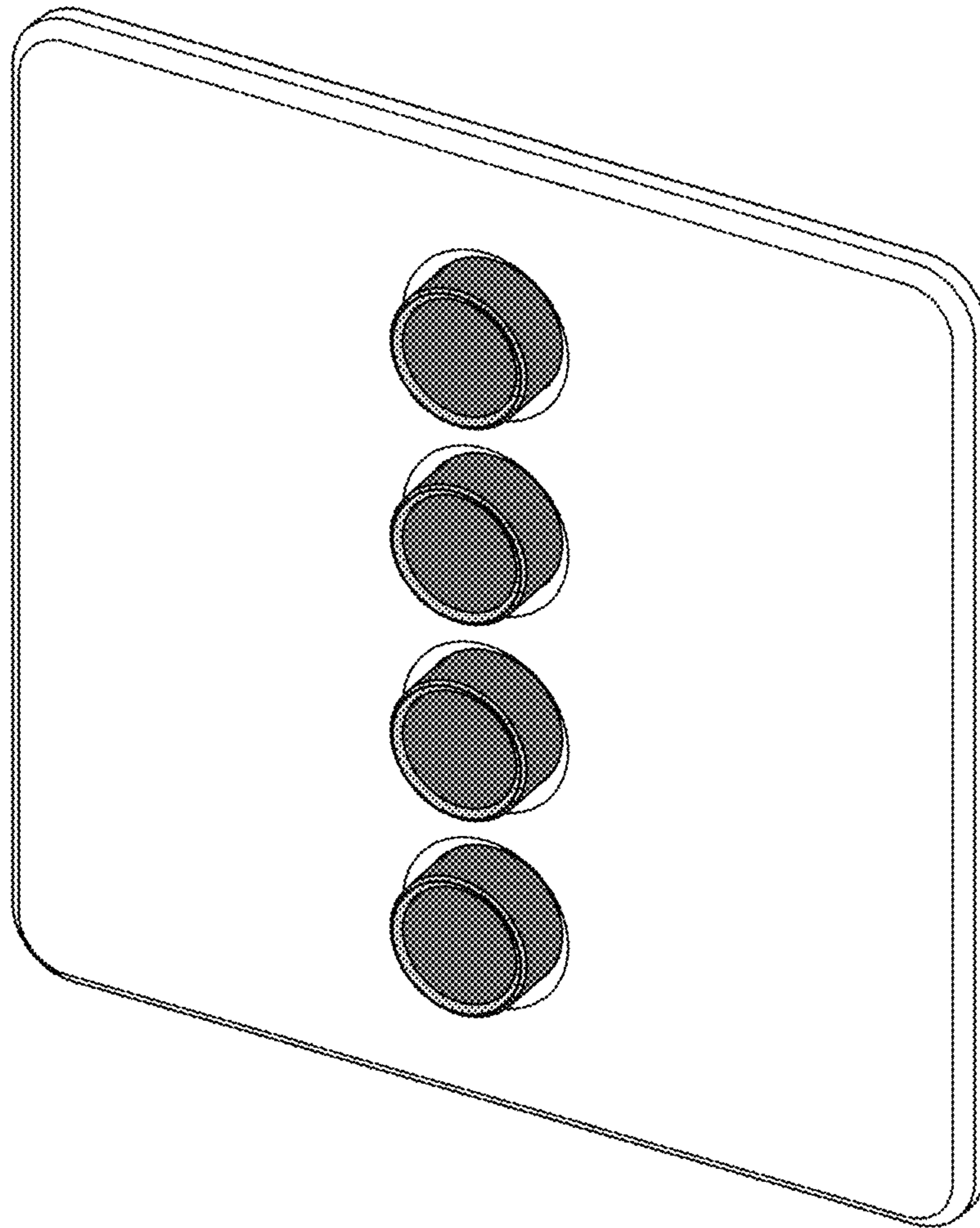


FIG. 15

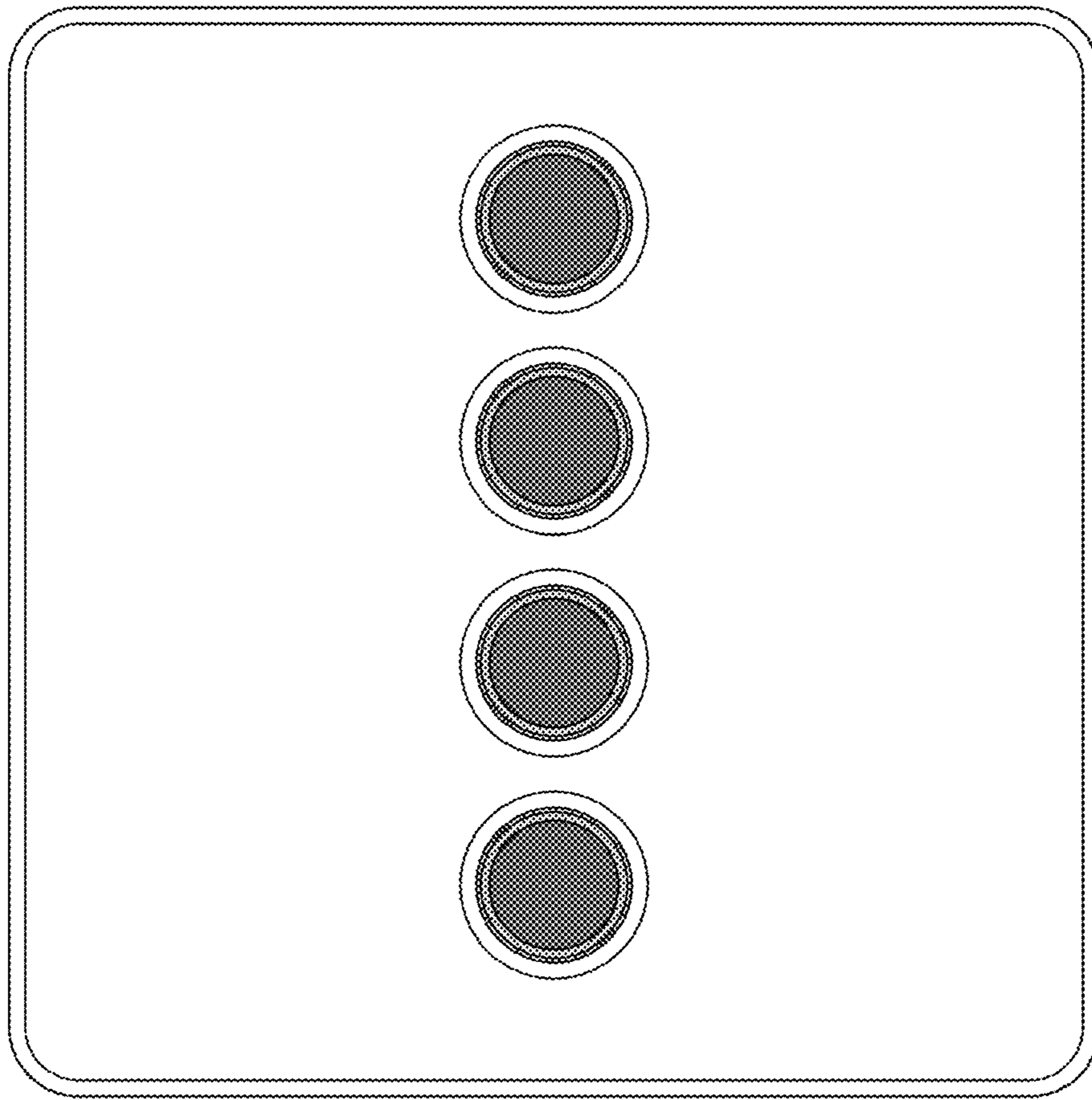


FIG. 16



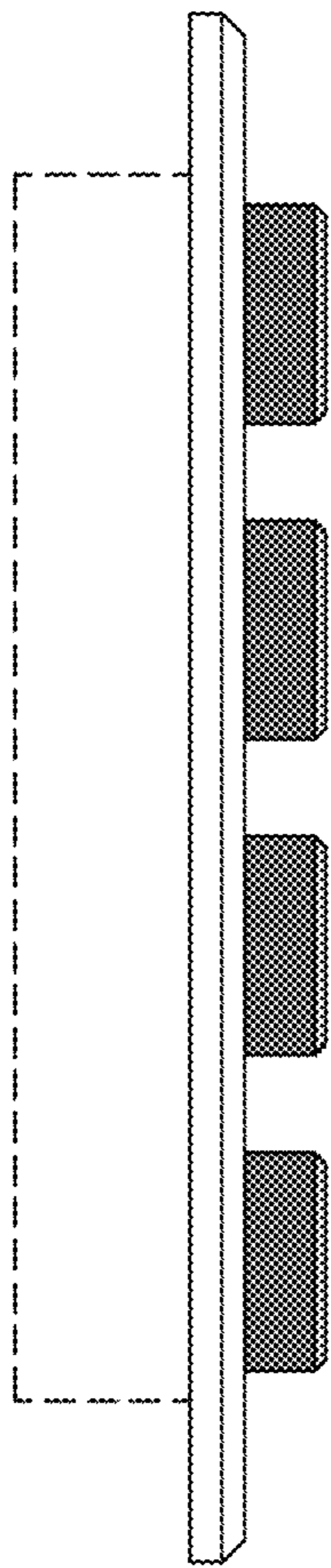


FIG. 17

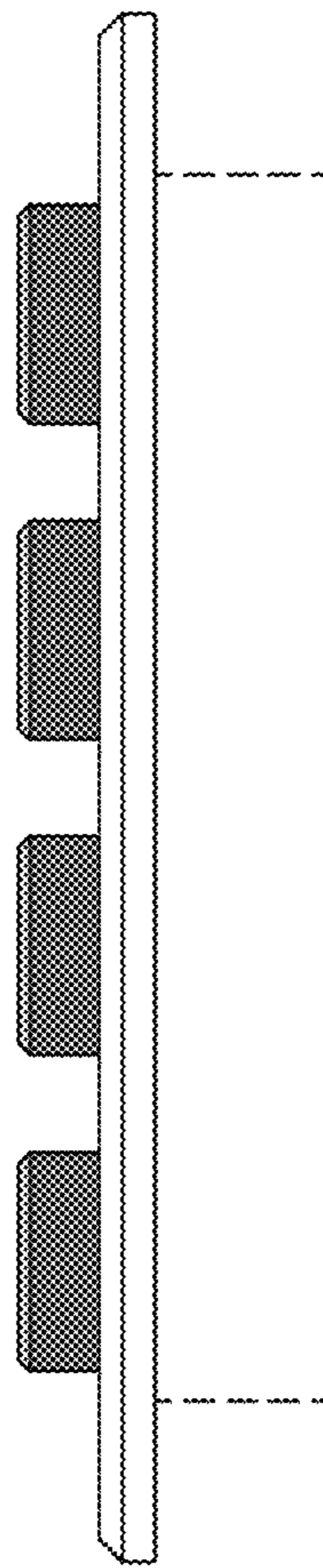


FIG. 18

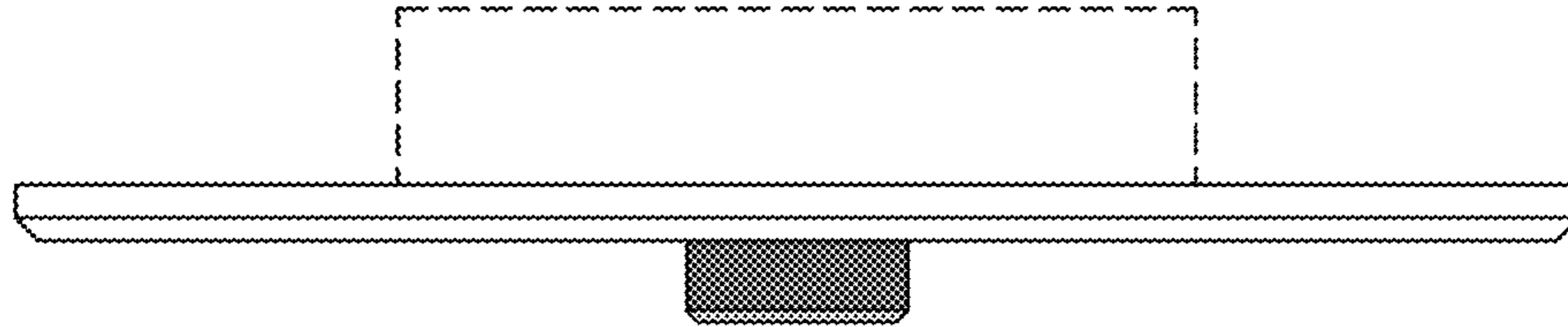


FIG. 19

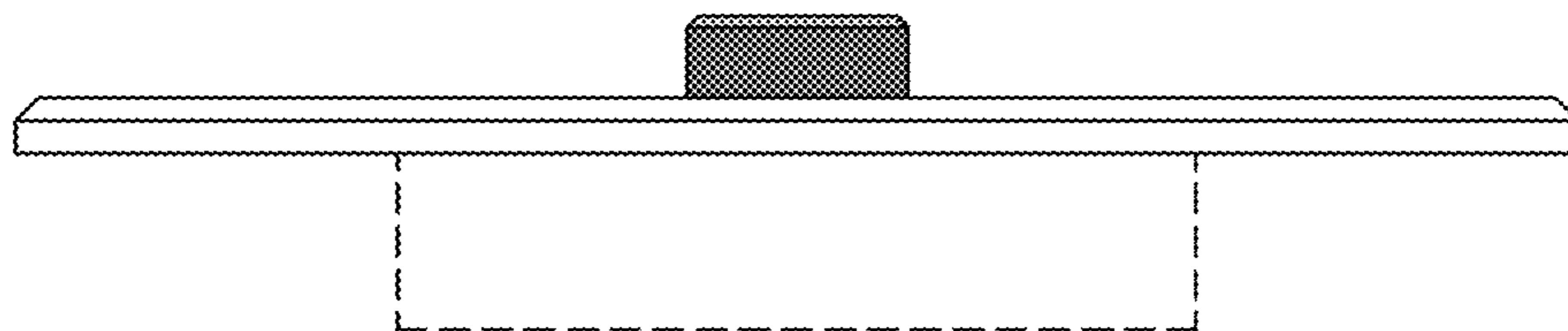


FIG. 20

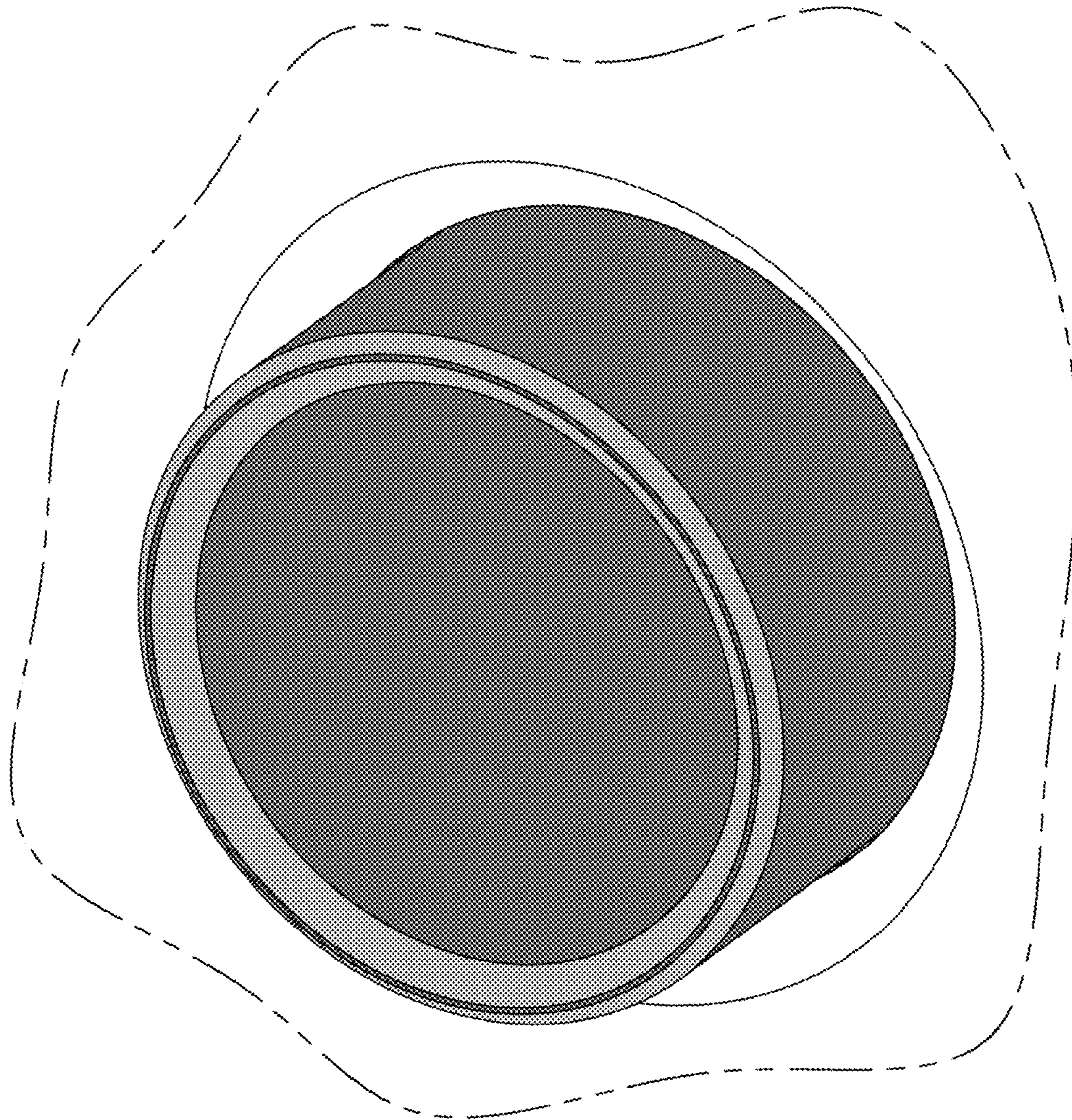


FIG. 21