



US00D951886S

(12) **United States Design Patent**  
**Li**

(10) **Patent No.:** **US D951,886 S**

(45) **Date of Patent:** **\*\* May 17, 2022**

- (54) **WALL SWITCH**
- (71) Applicant: **Shenzhen Manka Electronic IOT Co., Ltd.**, Shenzhen (CN)
- (72) Inventor: **Chunping Li**, Shenzhen (CN)
- (73) Assignee: **SHENZHEN MANKA ELECTRONIC IOT CO., LTD.**, Shenzhen (CN)
- (\*\*) Term: **15 Years**
- (21) Appl. No.: **29/749,340**
- (22) Filed: **Sep. 4, 2020**
- (51) **LOC (13) Cl.** ..... **13-03**
- (52) **U.S. Cl.**  
USPC ..... **D13/162**; D13/174; D13/177
- (58) **Field of Classification Search**  
USPC ..... D10/40; D13/123, 125, 158-160, D13/162-162.1, 163-172, 173, 174, D13/177-178, 184, 199  
CPC ..... H04Q 1/028; H04M 1/0293; H02G 3/081; H01R 13/502; G02B 6/3897; H05K 5/00; H05K 5/0073; H05K 7/209; H05B 47/19; H01H 19/14; H01H 11/0031; G06F 3/167  
See application file for complete search history.

(56) **References Cited**  
U.S. PATENT DOCUMENTS

D381,313 S *	7/1997	Krajci	.....	D13/125
D709,390 S *	7/2014	Ni	.....	D10/40
D751,514 S *	3/2016	Brach	.....	D13/162
D765,611 S *	9/2016	Kaliauer	.....	D13/177
D807,308 S *	1/2018	Johnson	.....	D13/174
D807,309 S *	1/2018	Johnson	.....	D13/174
D838,677 S *	1/2019	Vogtner	.....	H05K 7/209
				D13/162
D881,826 S *	4/2020	Hayes	.....	D13/162

D883,234 S *	5/2020	Gumina	.....	G06F 3/167
				D13/162
11,096,264 B1 *	8/2021	Fu	.....	H05B 47/19
D931,822 S *	9/2021	Fu	.....	D13/162
2012/0247934 A1 *	10/2012	Schmidt	.....	H01H 19/14
				200/336
2017/0354023 A1 *	12/2017	Dimberg	.....	H05B 47/19

**OTHER PUBLICATIONS**

Yamaha, Date: 2013, [online], [site visited Dec. 29, 2021]. Available from internet, URL: <https://www.yamaha.com/en/about/innovation/collection/detail/8060/> (Year: 2013).\*

Toa, Date: Jul. 5, 2016, [online], [site visited Dec. 29, 2021]. Available from internet, URL: [https://www.toa-products.com/international/download/spec/m-9000\\_ce\\_cb1e.pdf](https://www.toa-products.com/international/download/spec/m-9000_ce_cb1e.pdf) (Year: 2016).\*

\* cited by examiner

*Primary Examiner* — Shawn T Gingrich  
*Assistant Examiner* — Bryan Nolan Melvin

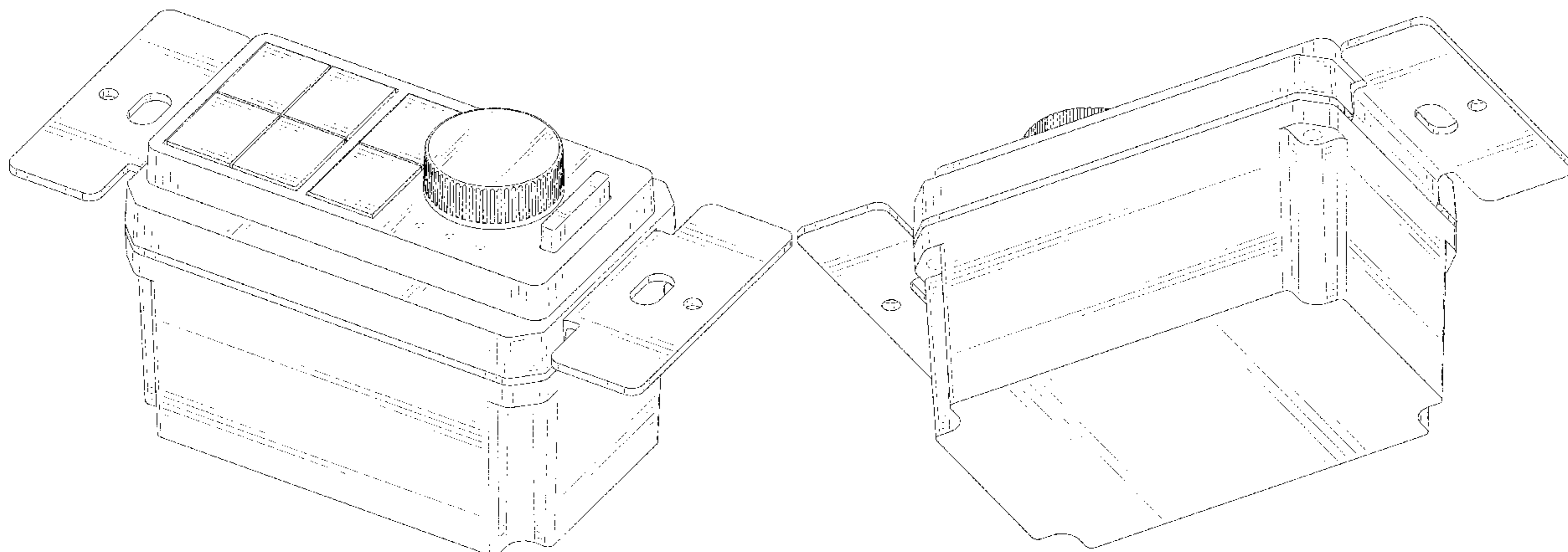
(57) **CLAIM**

The ornamental design for a wall switch, as shown and described.

**DESCRIPTION**

FIG. 1 is a perspective view of a wall switch showing my new design;  
FIG. 2 is another perspective view thereof;  
FIG. 3 is a front elevational view thereof;  
FIG. 4 is a rear elevational view thereof;  
FIG. 5 is a left side elevational view thereof;  
FIG. 6 is a right side elevational view thereof;  
FIG. 7 is a top plan view thereof; and,  
FIG. 8 is a bottom plan view thereof.  
The broken lines in the drawings depict portions of the wall switch that form no part of the claimed design.

**1 Claim, 8 Drawing Sheets**



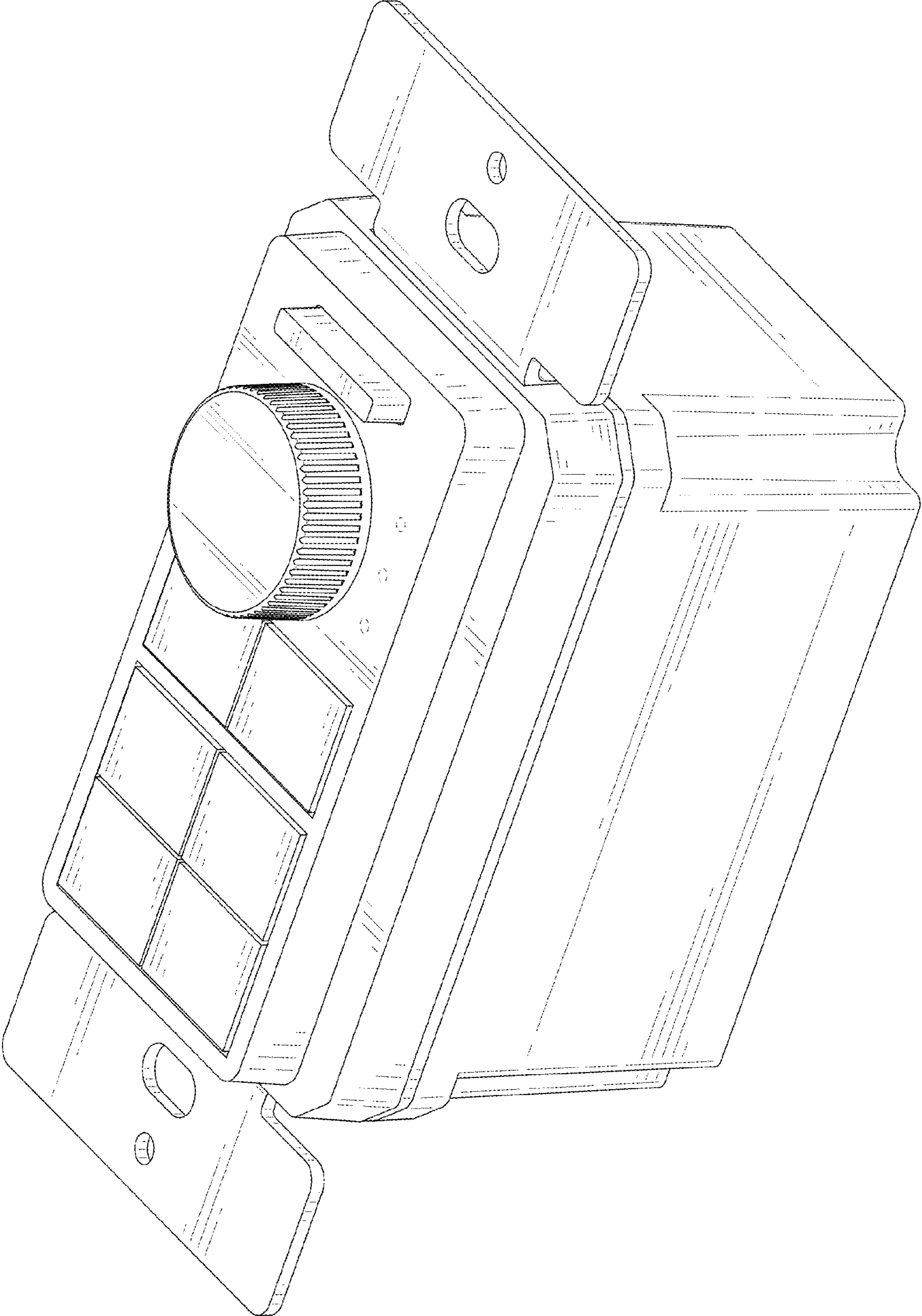


FIG. 1

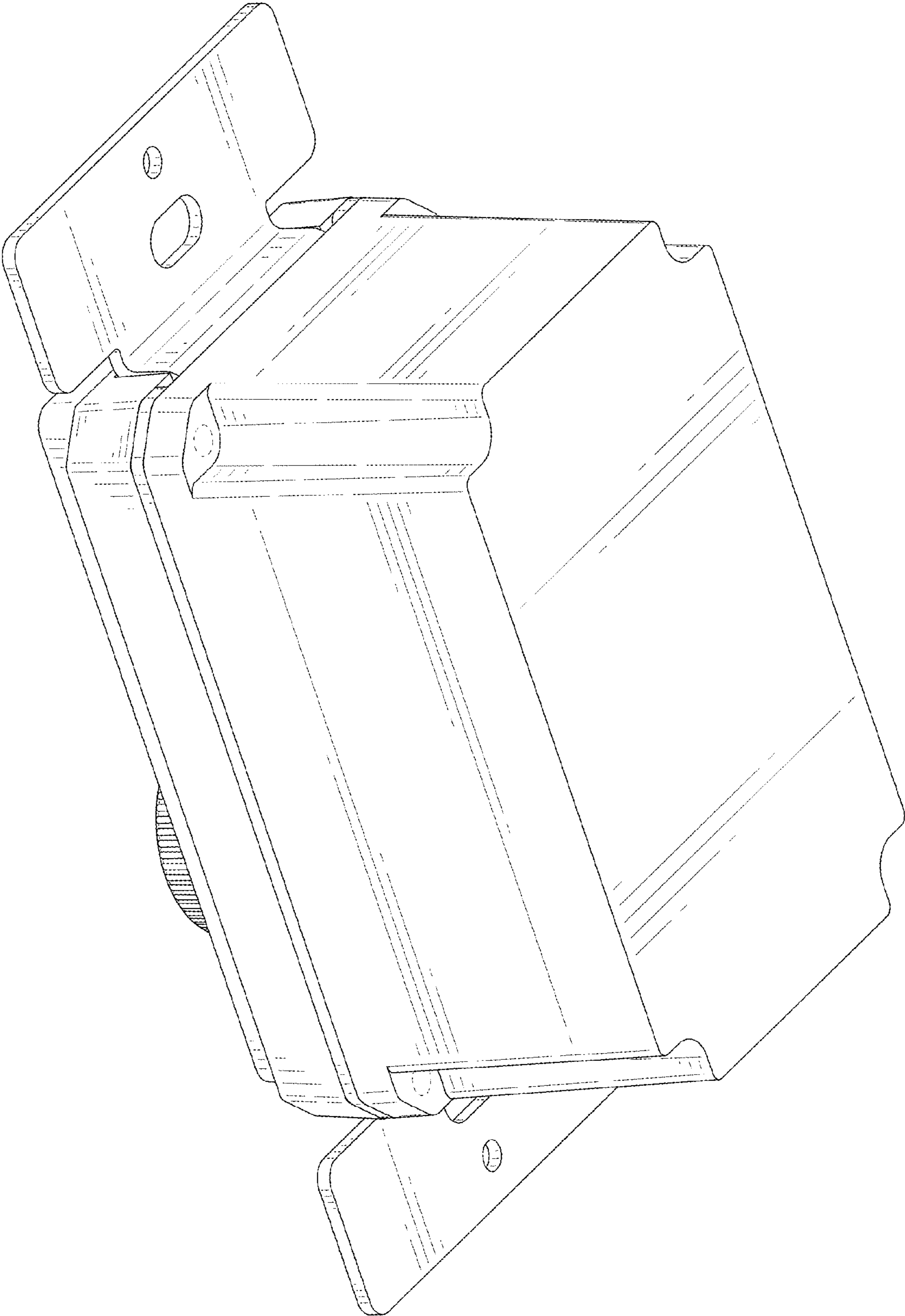


FIG. 2

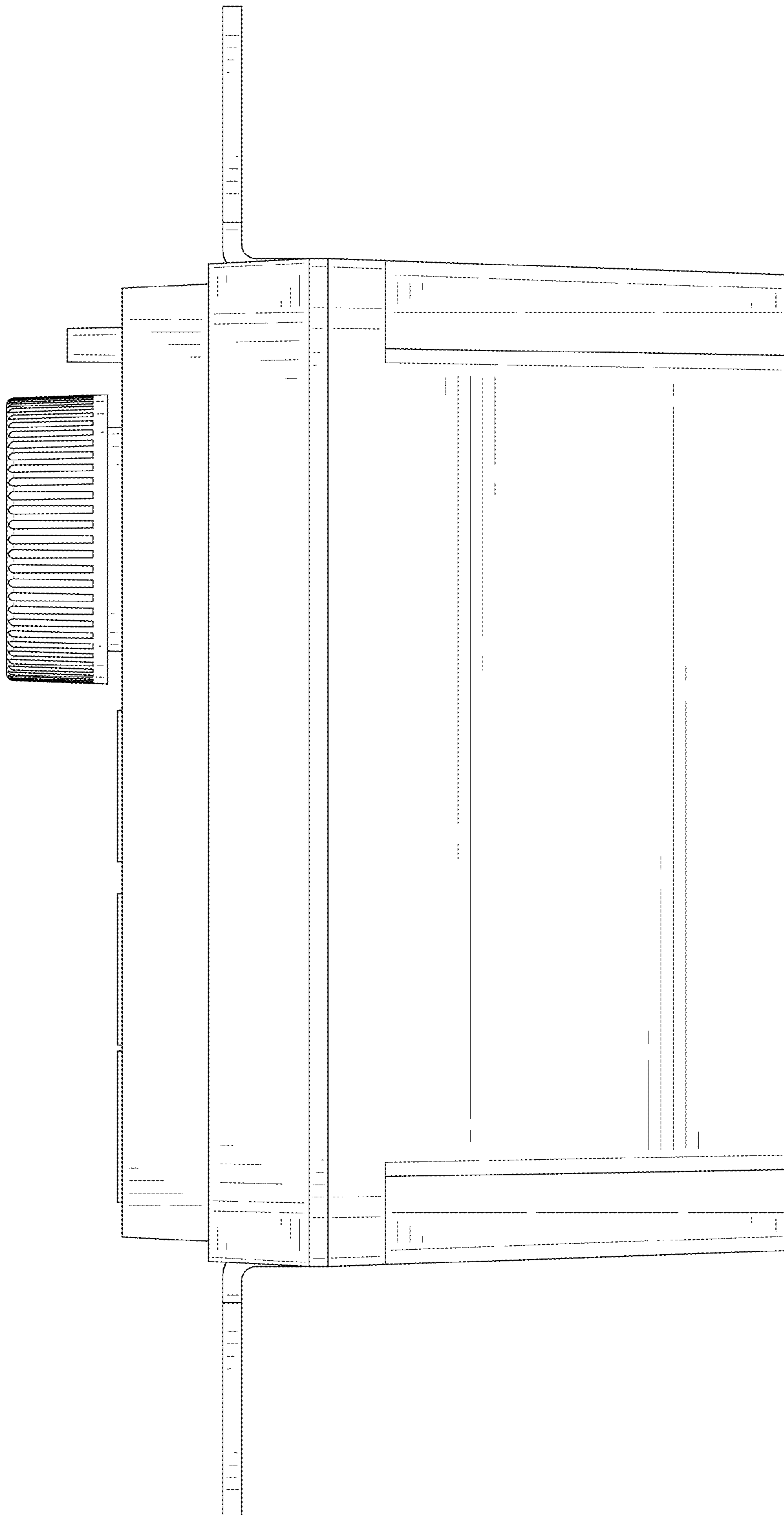


FIG. 3

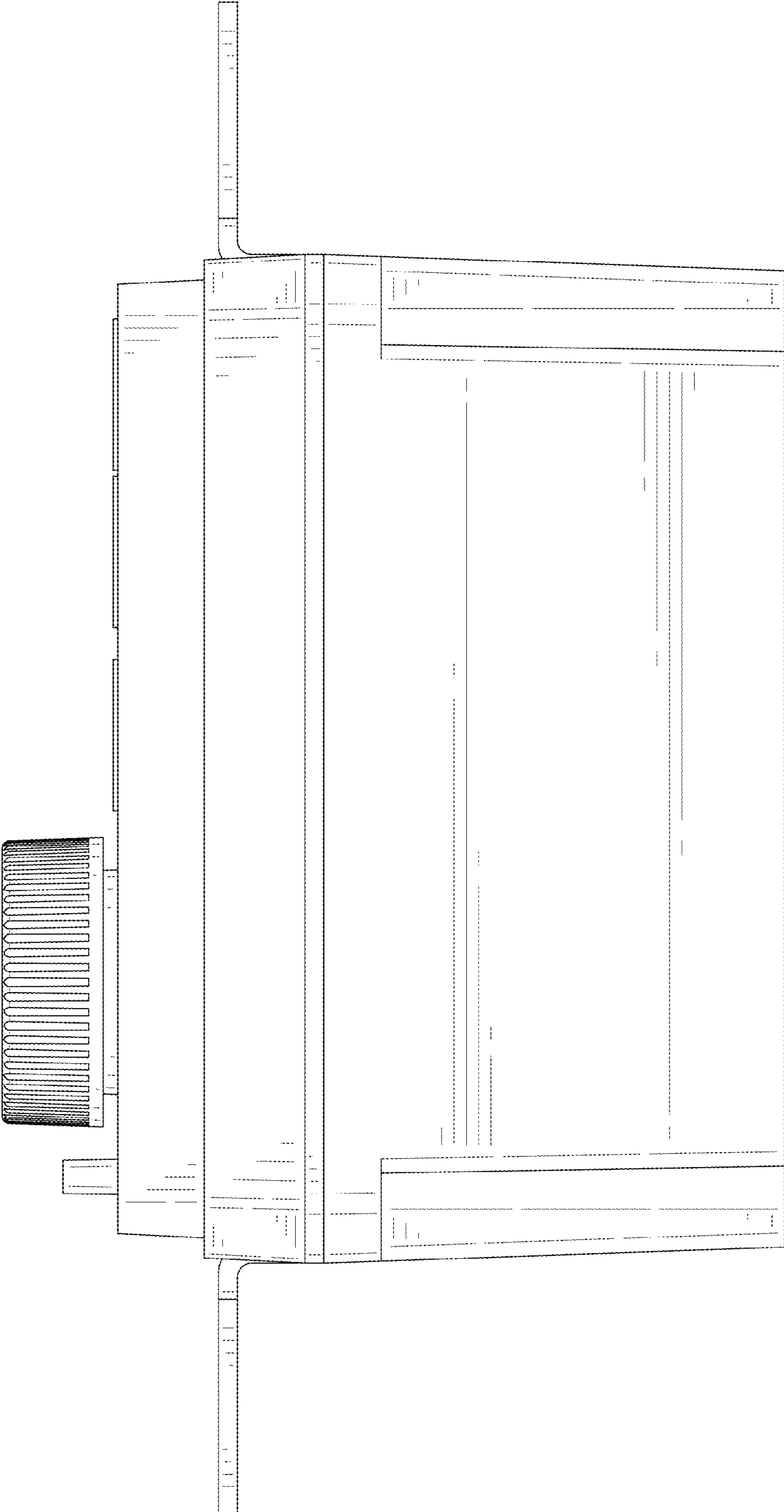


FIG. 4

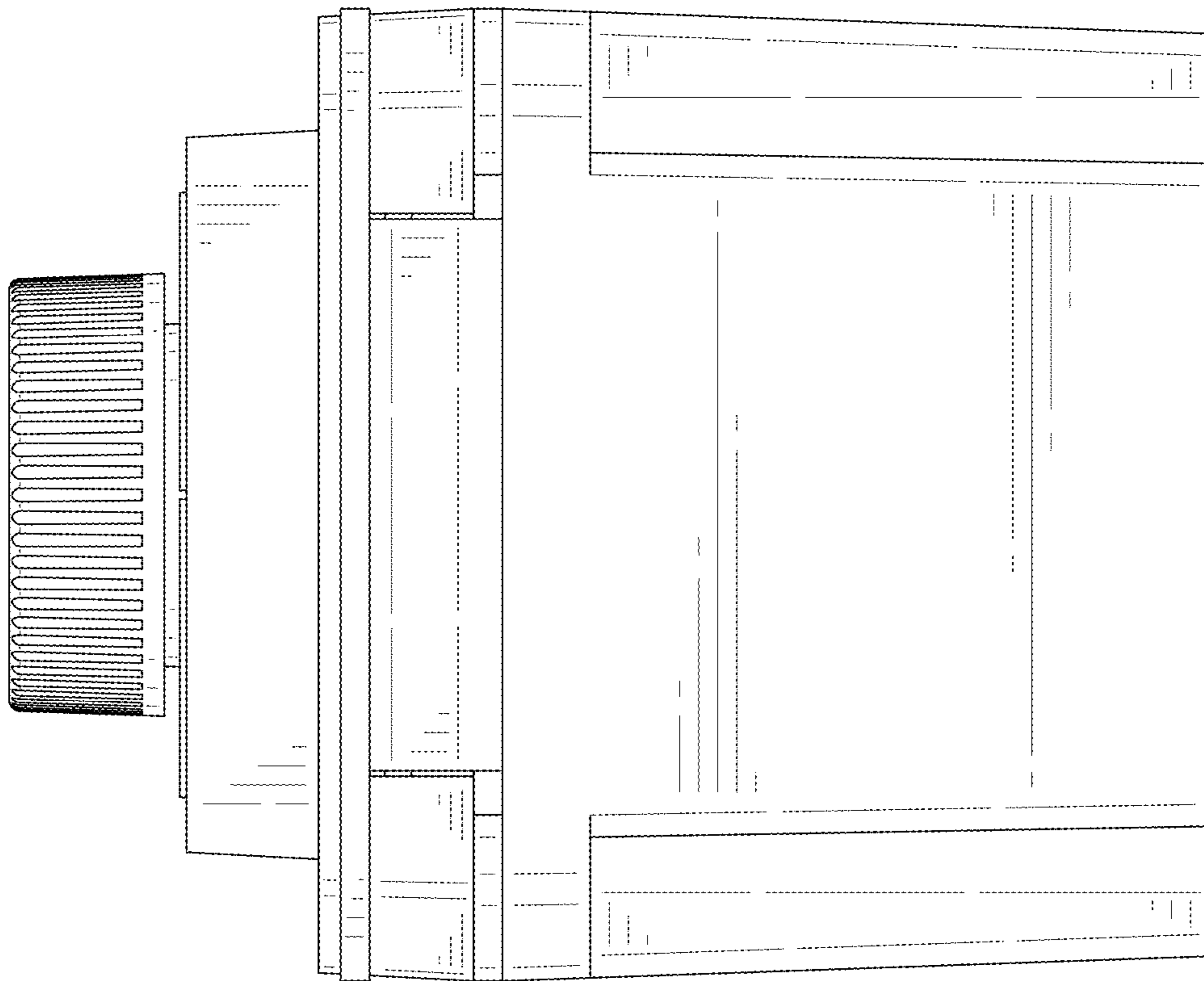


FIG. 5

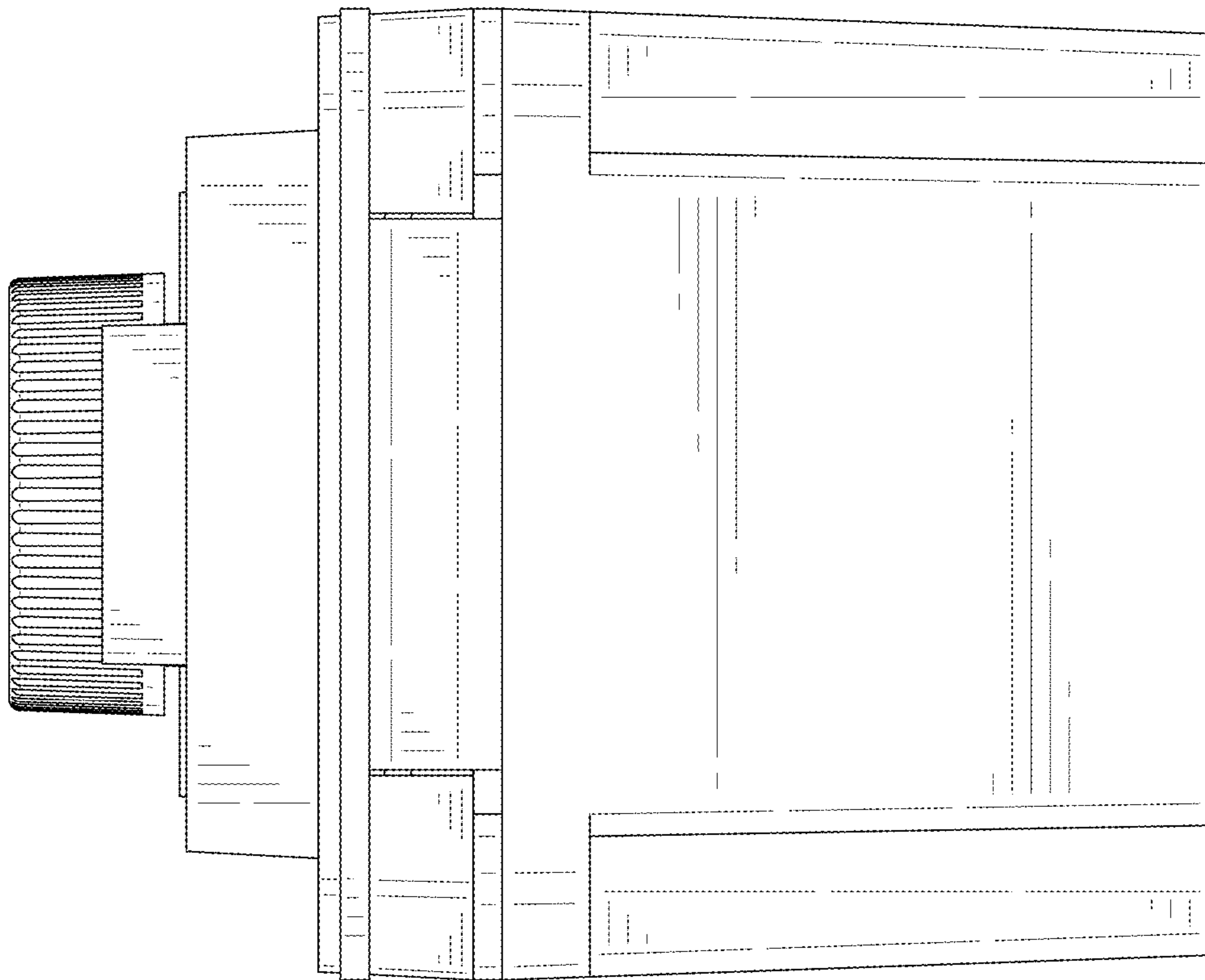


FIG. 6

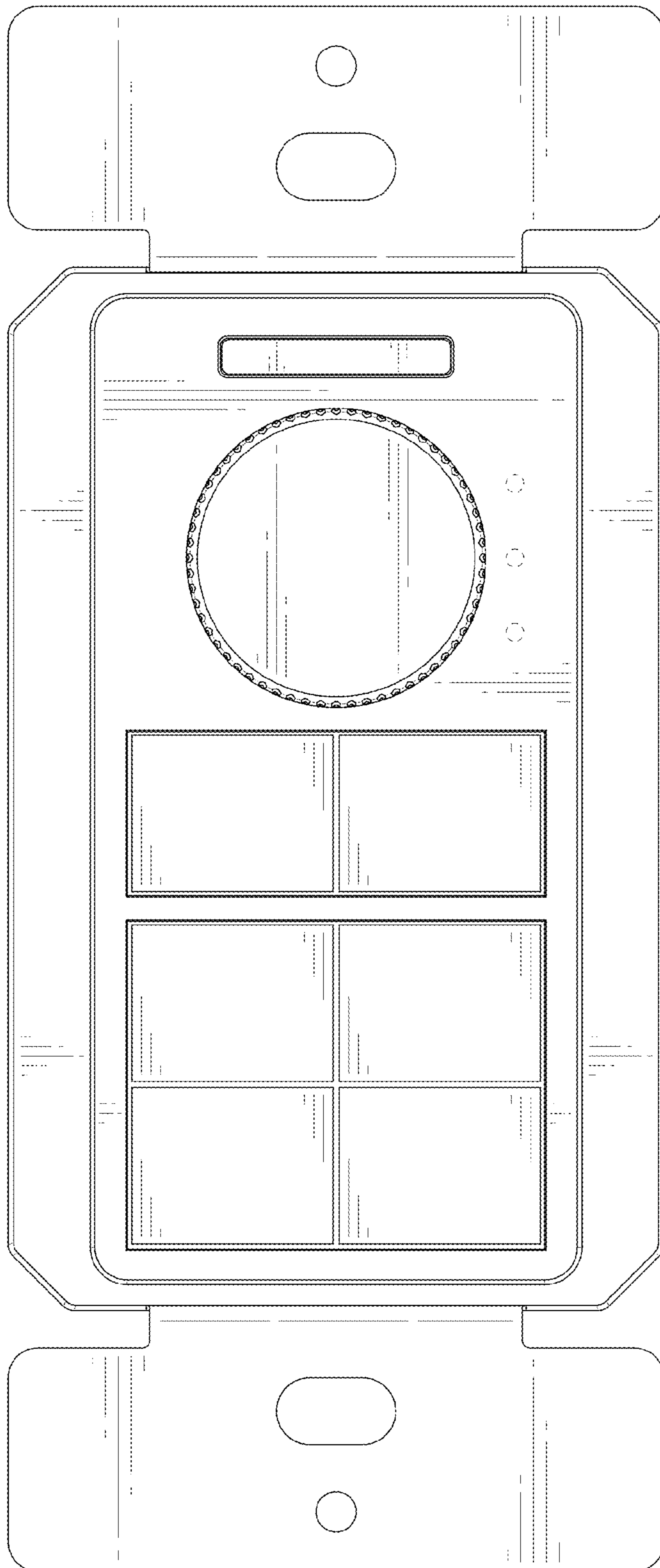


FIG. 7



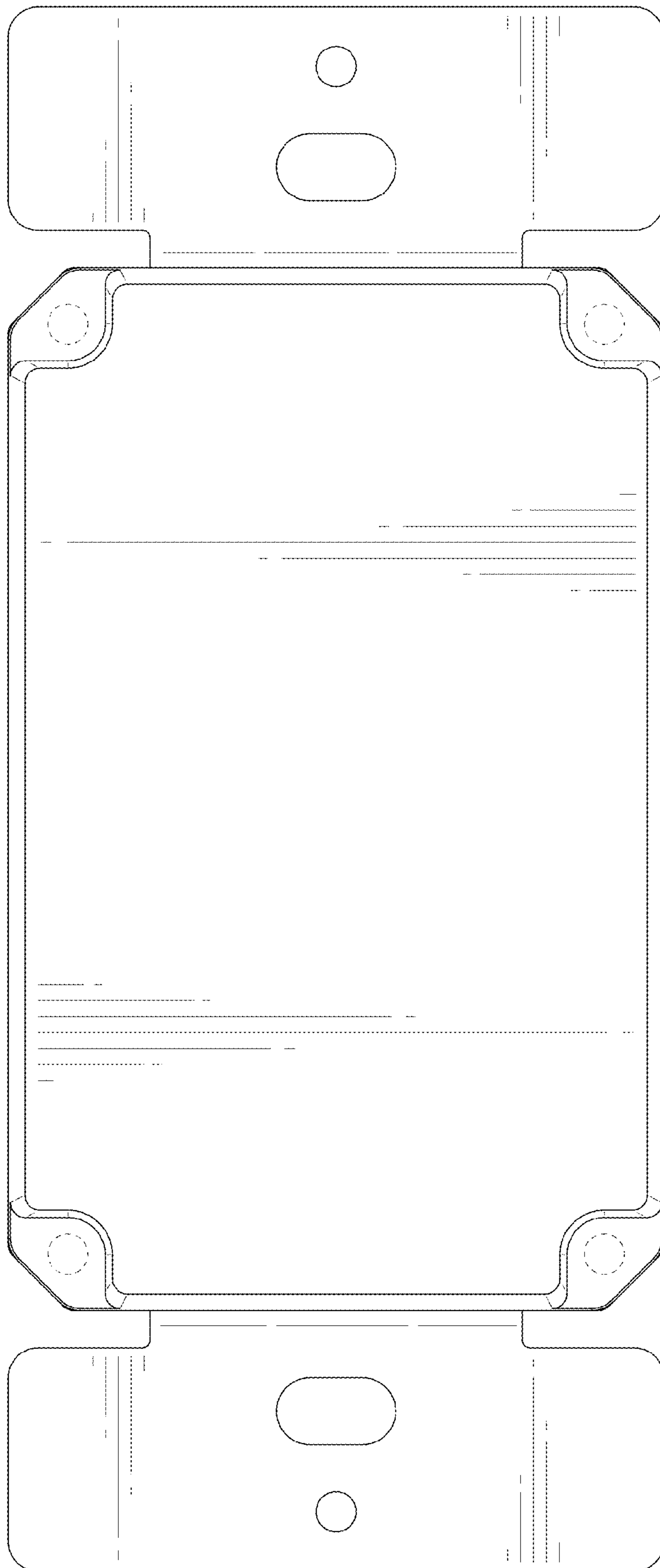


FIG. 8