



US00D951883S

(12) **United States Design Patent** (10) **Patent No.:** **US D951,883 S**
Hess et al. (45) **Date of Patent:** **** *May 17, 2022**

(54) **SURGE PROTECTION DEVICE**
(71) Applicant: **DEHN SE + Co KG**, Neumarkt (DE)
(72) Inventors: **Michael Hess**, Neumarkt (DE); **Florian Gäck**, Neumarkt (DE); **Julius Maria Schrafl**, Neumarkt (DE)
(73) Assignee: **DEHN SE**, Neumarkt/ Opf. (DE)
(*) Notice: This patent is subject to a terminal disclaimer.
(**) Term: **15 Years**
(21) Appl. No.: **29/745,356**
(22) Filed: **Aug. 5, 2020**

(30) **Foreign Application Priority Data**
Feb. 5, 2020 (EM) 007664156
(51) **LOC (13) Cl.** **13-03**
(52) **U.S. Cl.**
USPC **D13/160**
(58) **Field of Classification Search**
USPC D13/123, 133, 158-162, 173, 178, 184,
D13/199

(56) **References Cited**
U.S. PATENT DOCUMENTS
D626,122 S * 10/2010 Vogel D14/299
D626,516 S * 11/2010 Hakemeyer D13/158
(Continued)

FOREIGN PATENT DOCUMENTS
DE 40407035-0002 * 10/2005

OTHER PUBLICATIONS
BLITZDUCTORconnect: secR Modulverriegelung, dated Apr. 9, 2020, [online], [site visited Jul. 27, 2021]. Available from Internet,

URL: <https://www.youtube.com/watch?v=-OvGjJITf0E&t=2s> (Year: 2020).*

(Continued)

Primary Examiner — Shawn T Gingrich
(74) *Attorney, Agent, or Firm* — Millen, White, Zelano & Branigan, P.C.; William F. Nixon

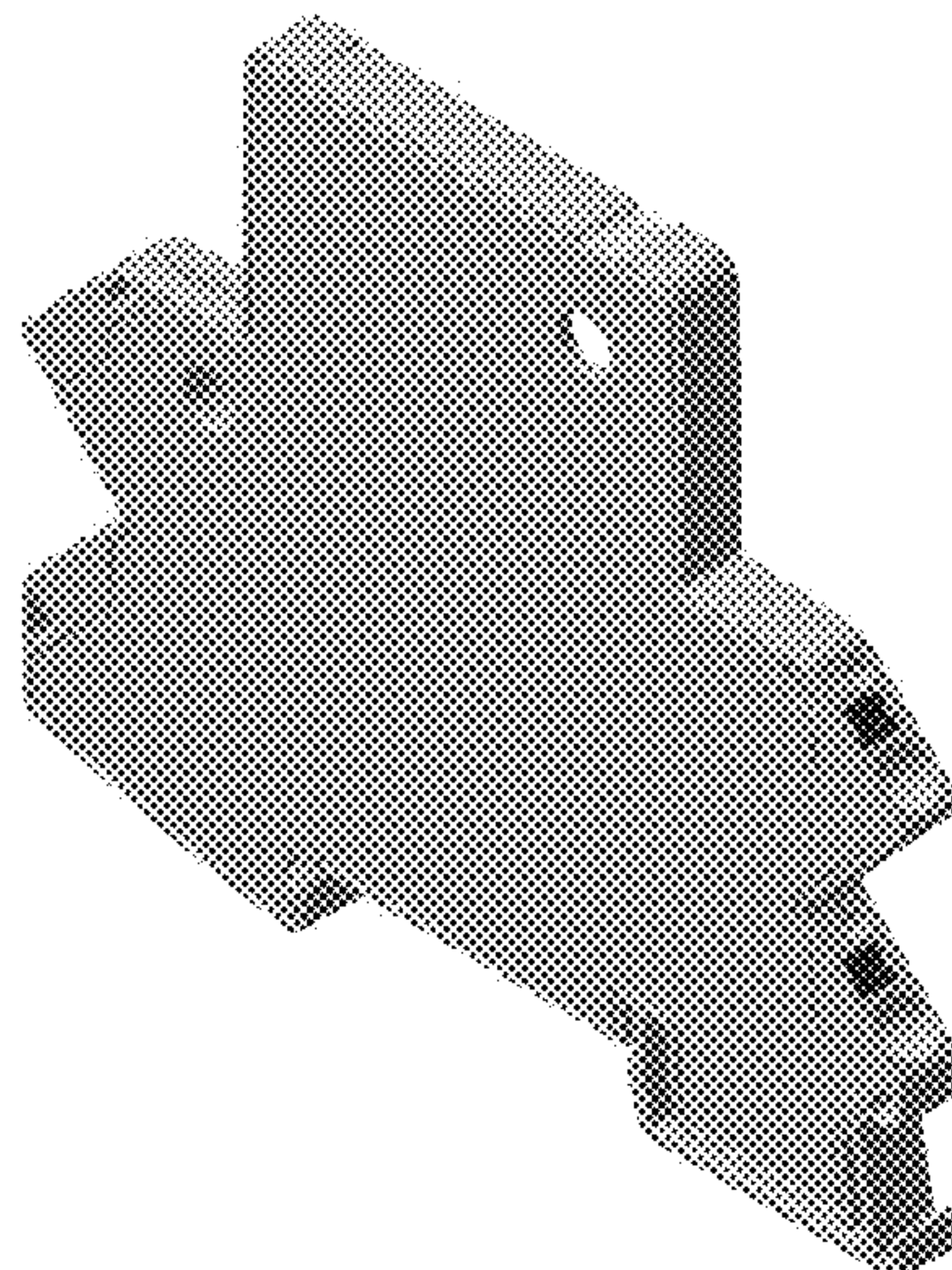
(57) **CLAIM**

The ornamental design for a surge protection device, as shown and described.

DESCRIPTION

The patent or application contains at least one drawing executed in color. Copies of this patent or patent application publication with color drawing(s) will be provided by the Office upon request and payment of the necessary fee.
FIG. 1 illustrates a front perspective view of a surge protection device showing our new design;
FIG. 2 illustrates a front elevational view thereof;
FIG. 3 illustrates a rear elevational view thereof;
FIG. 4 illustrates a right side elevational view thereof;
FIG. 5 illustrates a left side elevational view thereof;
FIG. 6 illustrates a top plan view thereof; and
FIG. 7 illustrates a bottom plan view thereof.
FIG. 8 illustrates a front perspective view of a second embodiment of a surge protection device showing our new design;
FIG. 9 illustrates a front elevational view thereof;
FIG. 10 illustrates a rear elevational view thereof;
FIG. 11 illustrates a right side elevational view thereof;
FIG. 12 illustrates a left side elevational view thereof;
FIG. 13 illustrates a top plan view thereof; and
FIG. 14 illustrates a bottom plan view thereof.
The broken lines shown throughout the views depict unclaimed portions of the surge protection device and form no part of the claimed design.
The unshaded surfaces form no part of the claimed design.

1 Claim, 14 Drawing Sheets
(7 of 14 Drawing Sheet(s) Filed in Color)



(58) **Field of Classification Search**
 CPC .. G06F 13/00; H01R 4/48; H01R 9/00; H01R
 9/22; H01R 9/24; H01R 9/26; H05K
 5/00; H05K 5/02
 See application file for complete search history.

2010/0146167 A1* 6/2010 Rasche G05B 19/054
 710/100
 2013/0052884 A1* 2/2013 Hanses H01R 9/2683
 439/816
 2017/0162955 A1* 6/2017 Berg H01R 13/70
 2018/0375228 A1* 12/2018 Yu H01R 13/53
 2019/0288411 A1* 9/2019 Masaki H01R 9/223
 2019/0288412 A1* 9/2019 Masaki H01R 9/26
 2019/0288414 A1* 9/2019 Masaki H01R 9/2608

(56) **References Cited**

U.S. PATENT DOCUMENTS

8,647,157 B2* 2/2014 Gan H01H 71/082
 439/716
 9,099,795 B2* 8/2015 Hanses H04N 5/332
 9,306,298 B2* 4/2016 France H01R 9/2608
 D792,352 S * 7/2017 Masaki D13/159
 D901,400 S * 11/2020 Mueller D13/159
 D901,401 S * 11/2020 Mueller D13/159
 D901,402 S * 11/2020 Mueller D13/159
 D920,929 S * 6/2021 Mueller D13/159
 2008/0096441 A1* 4/2008 Eppe H01R 9/26
 439/816

OTHER PUBLICATIONS

SD32X | MTL Surge Protection Device, dated Nov. 26, 2020,
 [online], [site visited Jul. 27, 2021]. Available from Internet, URL:
<https://www.quicktimeonline.com/sd32x> (Year: 2020).*
 Universeller Kombiableiter BLITZDUCTORconnect: Einfach. Sicher.
 Leistungsstark., dated Apr. 29, 2020, [online], [site visited Jul. 27,
 2021]. Available from Internet, URL: [https://www.youtube.com/
 watch?v=eoSKyoliK44&list=
 PLG7416onBNnlUqbayXhJRcW67qjgXP_th&index=2](https://www.youtube.com/watch?v=eoSKyoliK44&list=PLG7416onBNnlUqbayXhJRcW67qjgXP_th&index=2) (Year: 2020).*

* cited by examiner

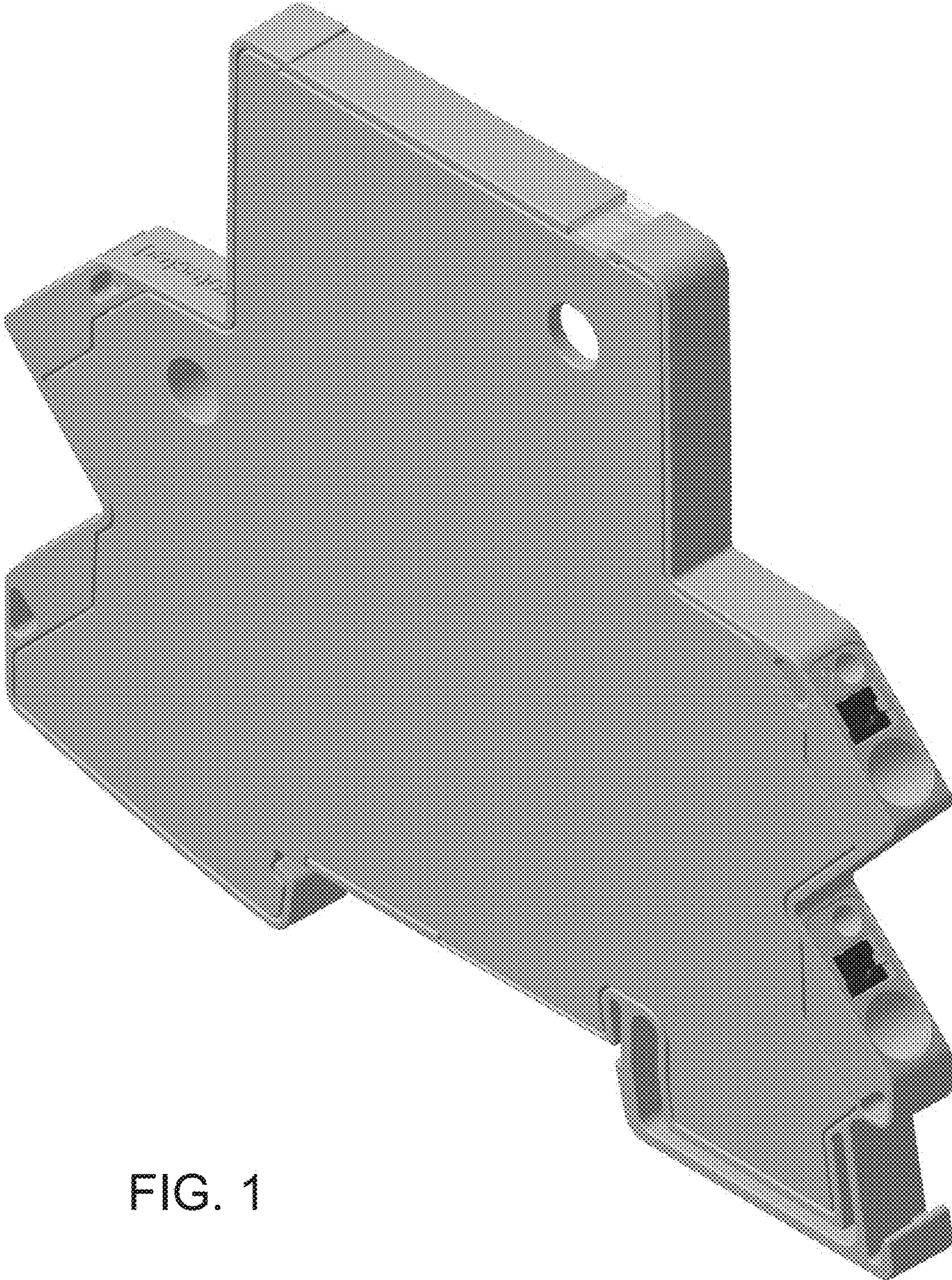


FIG. 1

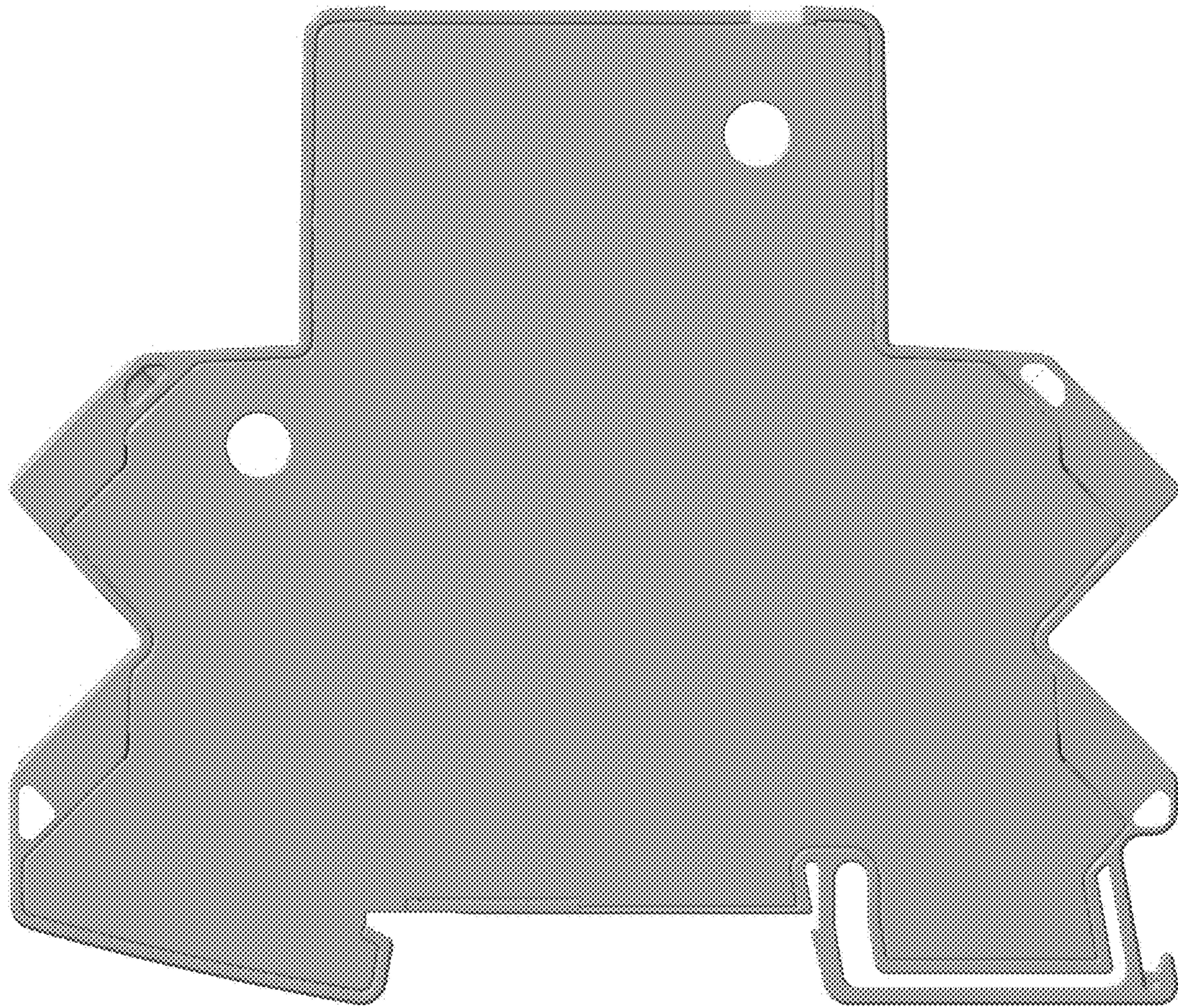


FIG. 2

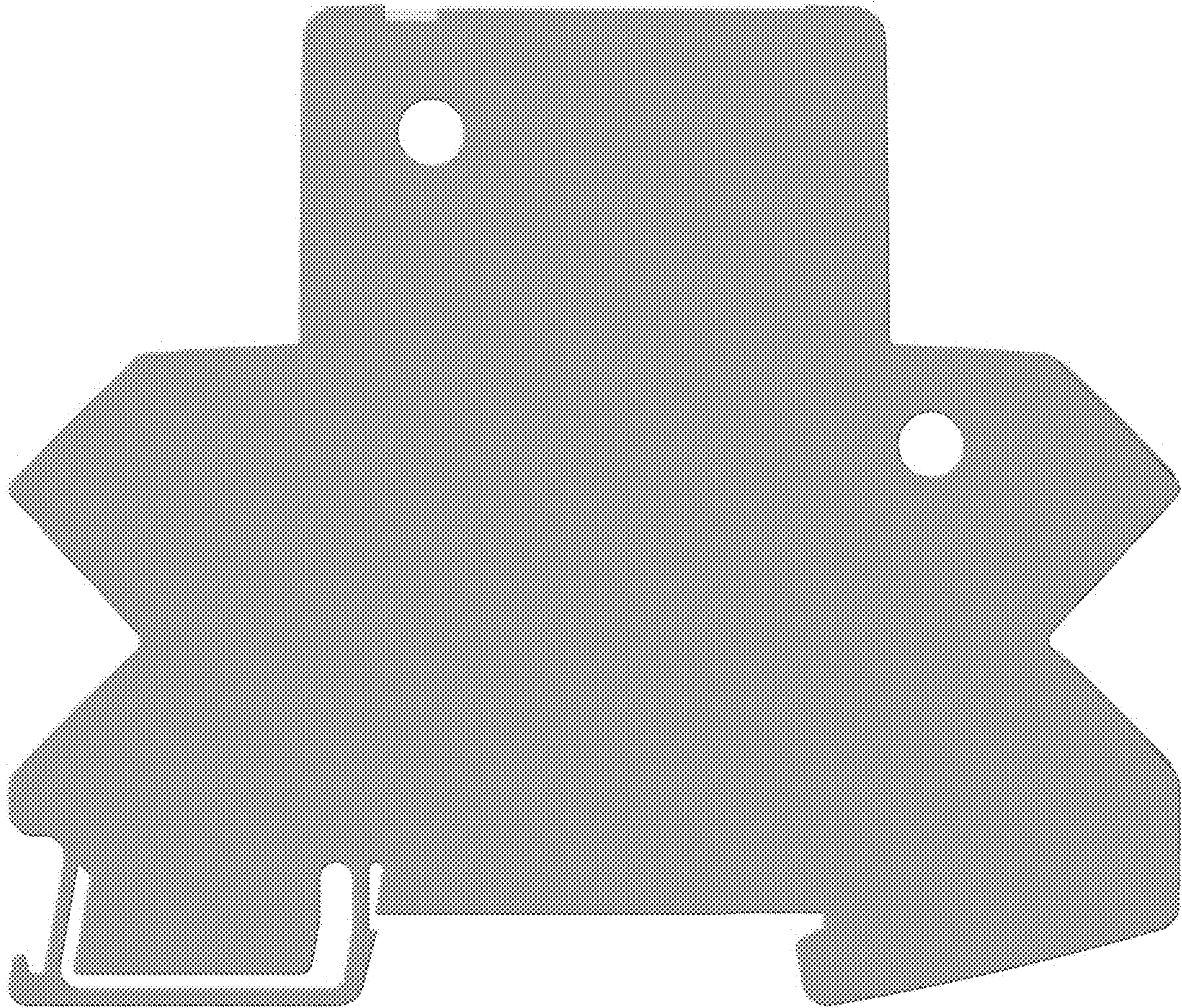


FIG. 3

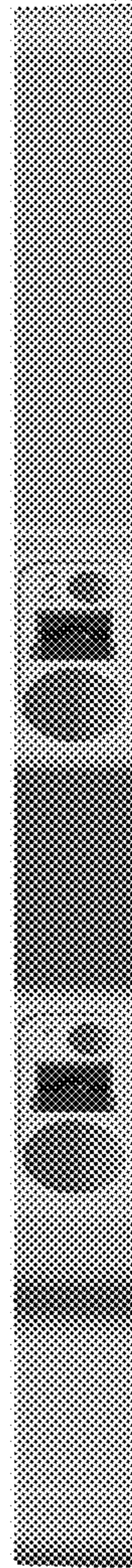


FIG. 4

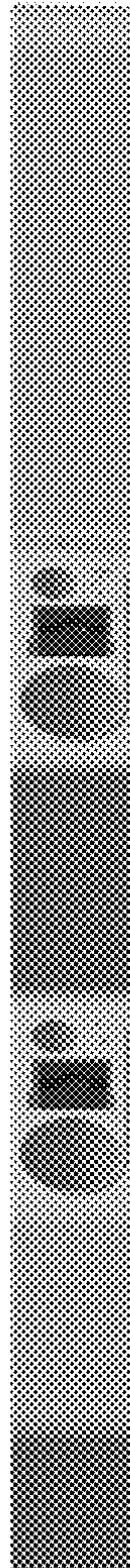


FIG. 5

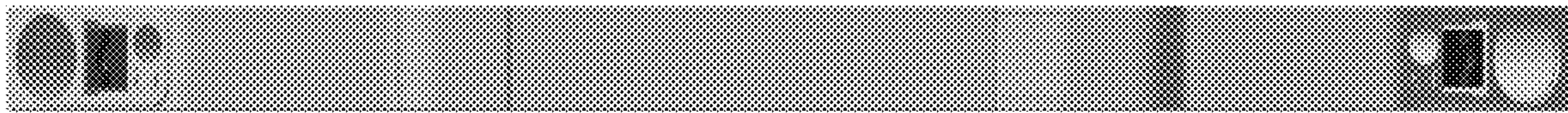


FIG. 6

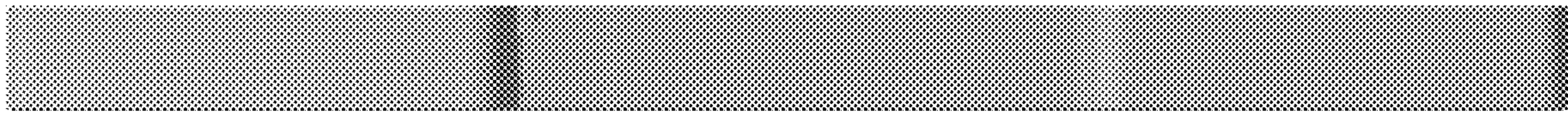


FIG. 7

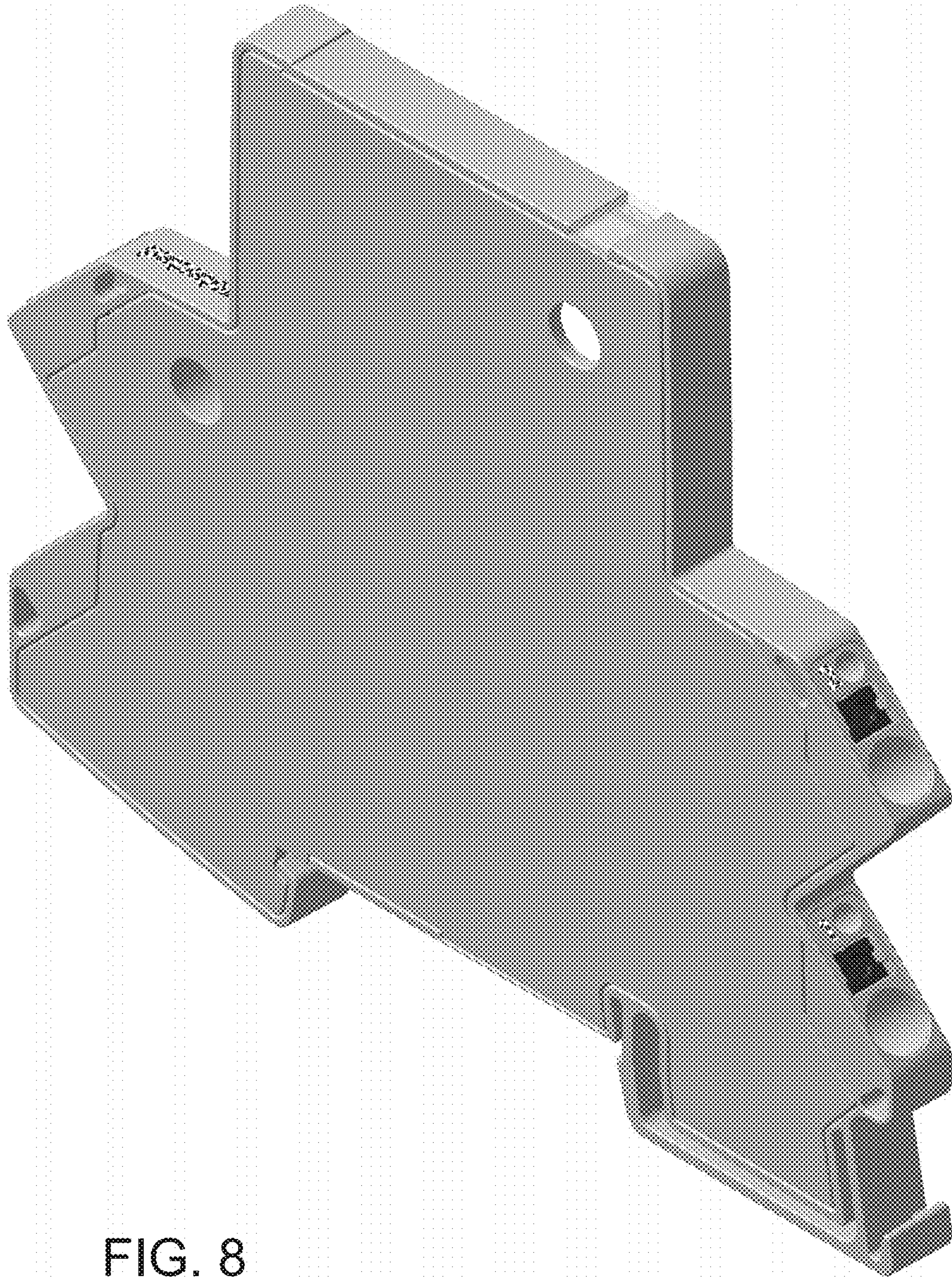


FIG. 8

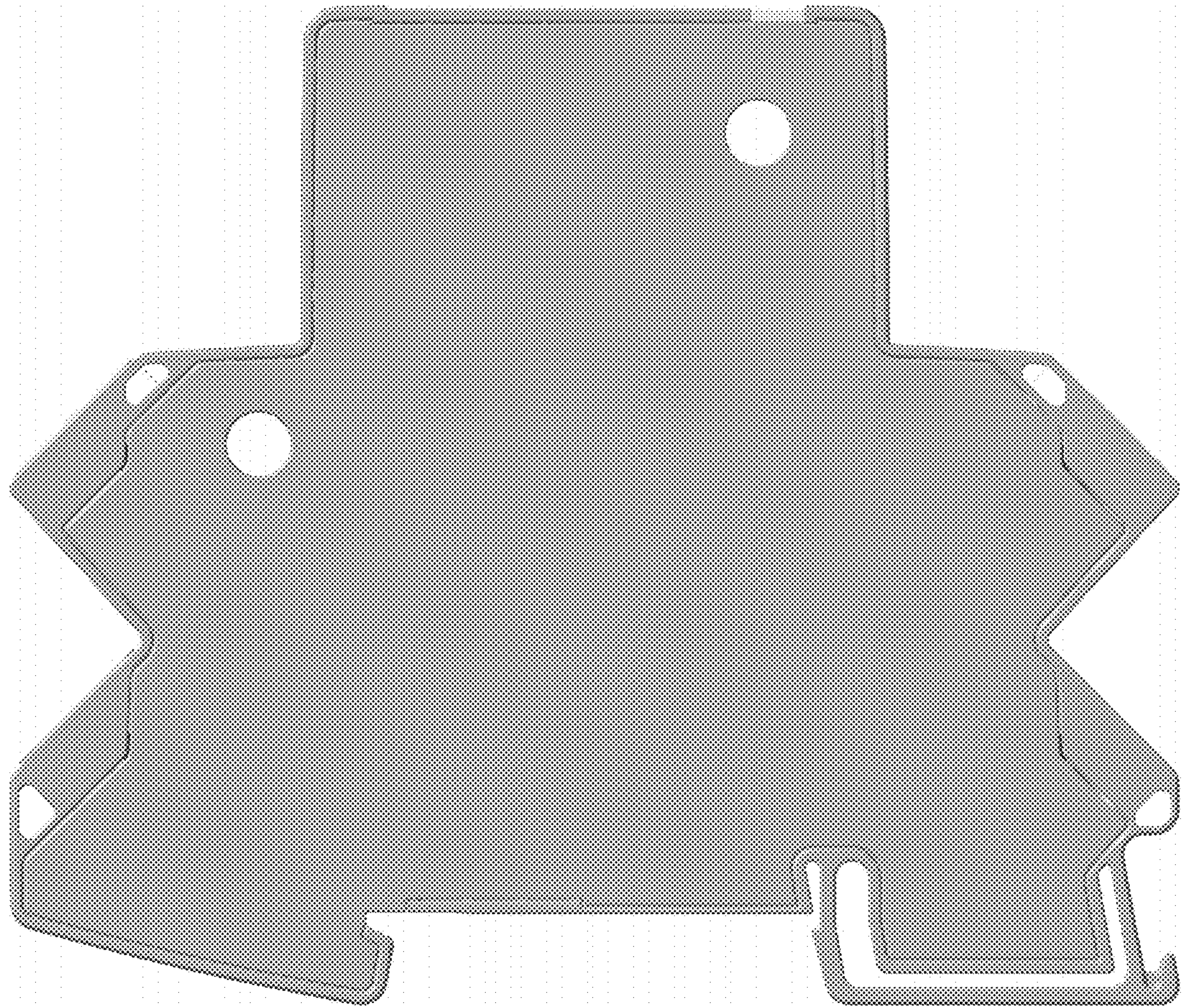


FIG. 9

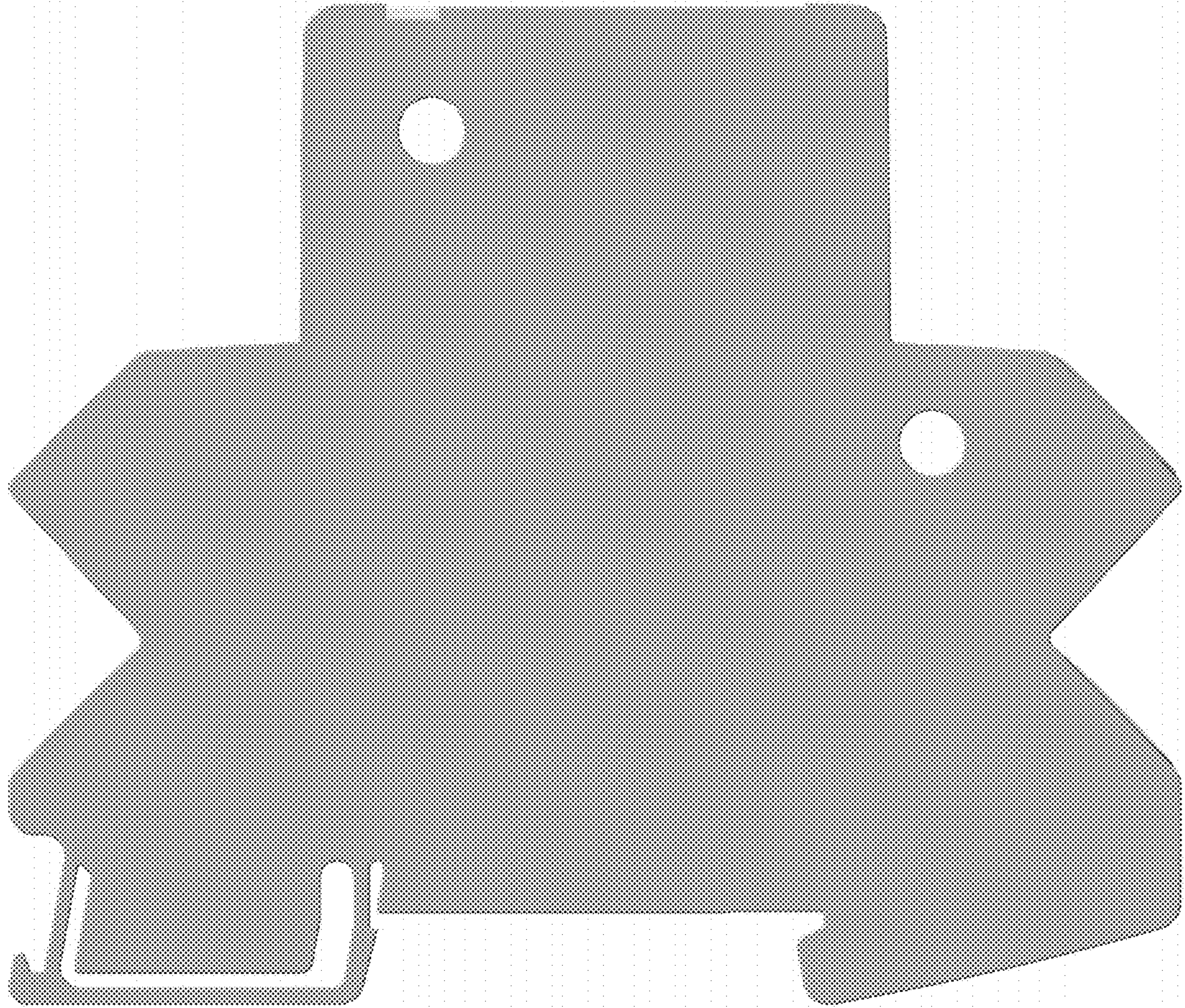


FIG. 10

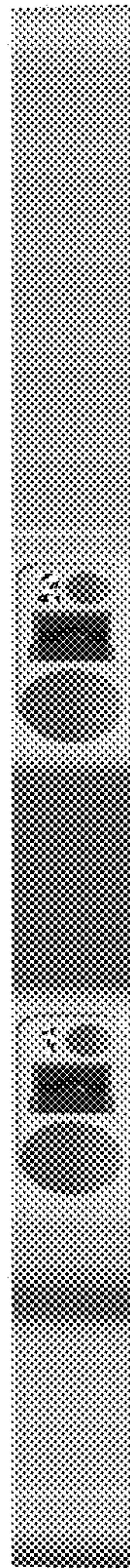


FIG. 11

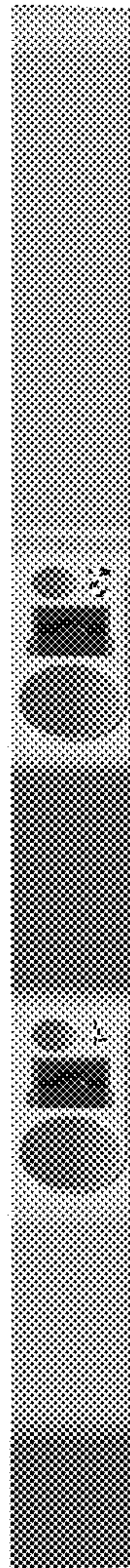


FIG. 12

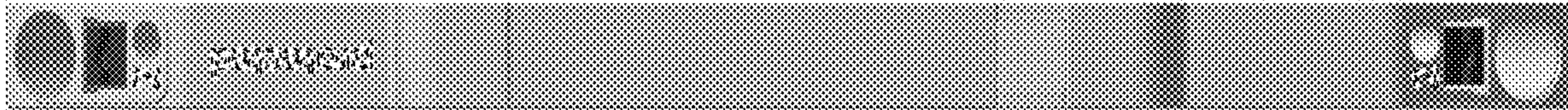


FIG. 13

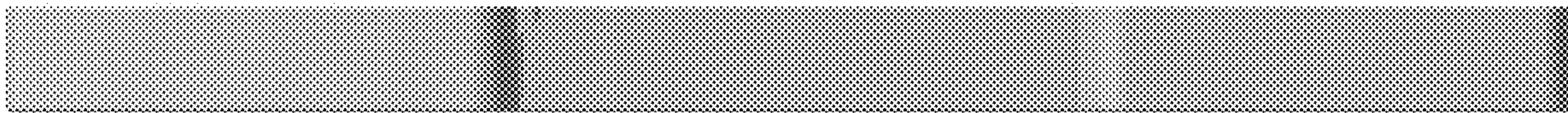


FIG. 14