



US00D951878S

(12) **United States Design Patent**
Smith

(10) **Patent No.:** **US D951,878 S**

(45) **Date of Patent:** **** May 17, 2022**

(54) **DUST CAP FLANGE FOR FIBER OPTIC ADAPTERS**

D883,231 S * 5/2020 DeJong D13/156
D900,755 S * 11/2020 Kurita D13/154
2021/0080658 A1 * 3/2021 Hempstead G02B 6/4405
2021/0173152 A1 * 6/2021 Inaba G02B 6/3849

(71) Applicant: **Jack William Smith**, East Gull Lake, MN (US)

* cited by examiner

(72) Inventor: **Jack William Smith**, East Gull Lake, MN (US)

Primary Examiner — Jennifer O King

(**) Term: **15 Years**

(57) **CLAIM**

(21) Appl. No.: **29/749,823**

I claim the ornamental design for a dust cap flange for fiber optic adapters, as shown and described.

(22) Filed: **Sep. 9, 2020**

DESCRIPTION

Related U.S. Application Data

(62) Division of application No. 29/627,296, filed on Nov. 25, 2017, now Pat. No. Des. 938,366.

FIG. 1 is a perspective view of a dust cap flange for fiber optic adapters according to one embodiment of my new design;

(51) **LOC (13) Cl.** **13-03**

(52) **U.S. Cl.**
USPC **D13/156**

FIG. 2 is a front elevation view thereof;

FIG. 3 is a back elevation view thereof;

(58) **Field of Classification Search**

USPC D13/155, 153, 133, 156, 139.4, 139.1, D13/108, 147, 154, 199

FIG. 4 is a left side elevation view thereof;

FIG. 5 is a right side elevation view thereof;

CPC G02B 6/3849; H01R 13/5213
See application file for complete search history.

FIG. 6 is a top plan view thereof;

FIG. 7 is a bottom plan view thereof;

FIG. 8 is a center section view thereof, taken from FIG. 4; and,

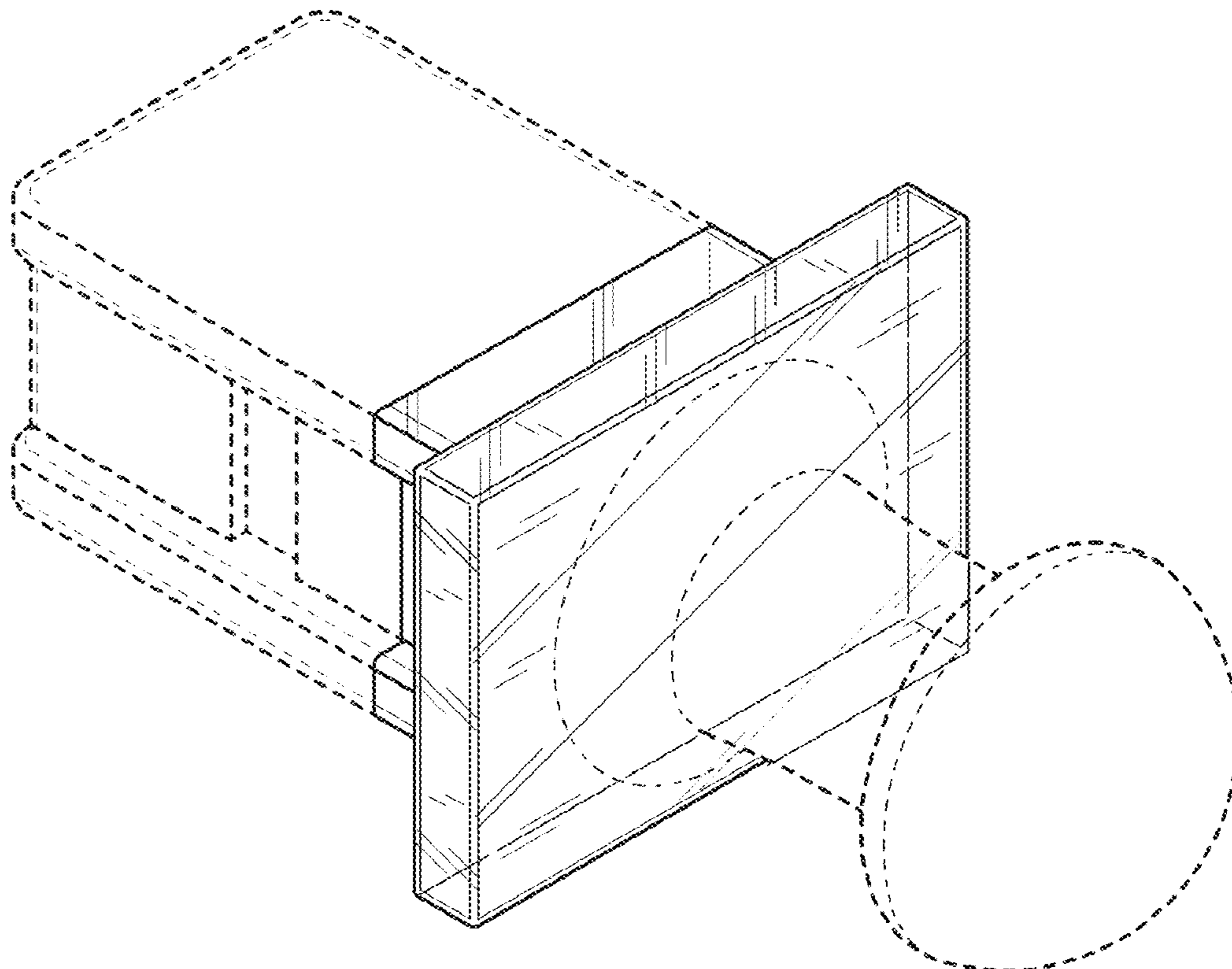
(56) **References Cited**

U.S. PATENT DOCUMENTS

D868,704 S * 12/2019 DeJong D13/156
D874,402 S * 2/2020 Kim D13/133

FIG. 9 is a another section view thereof, taken from FIG. 6. The broken lines shown represent portions of the dust cap flange for fiber optic adapters that form no part of the claimed design.

1 Claim, 9 Drawing Sheets



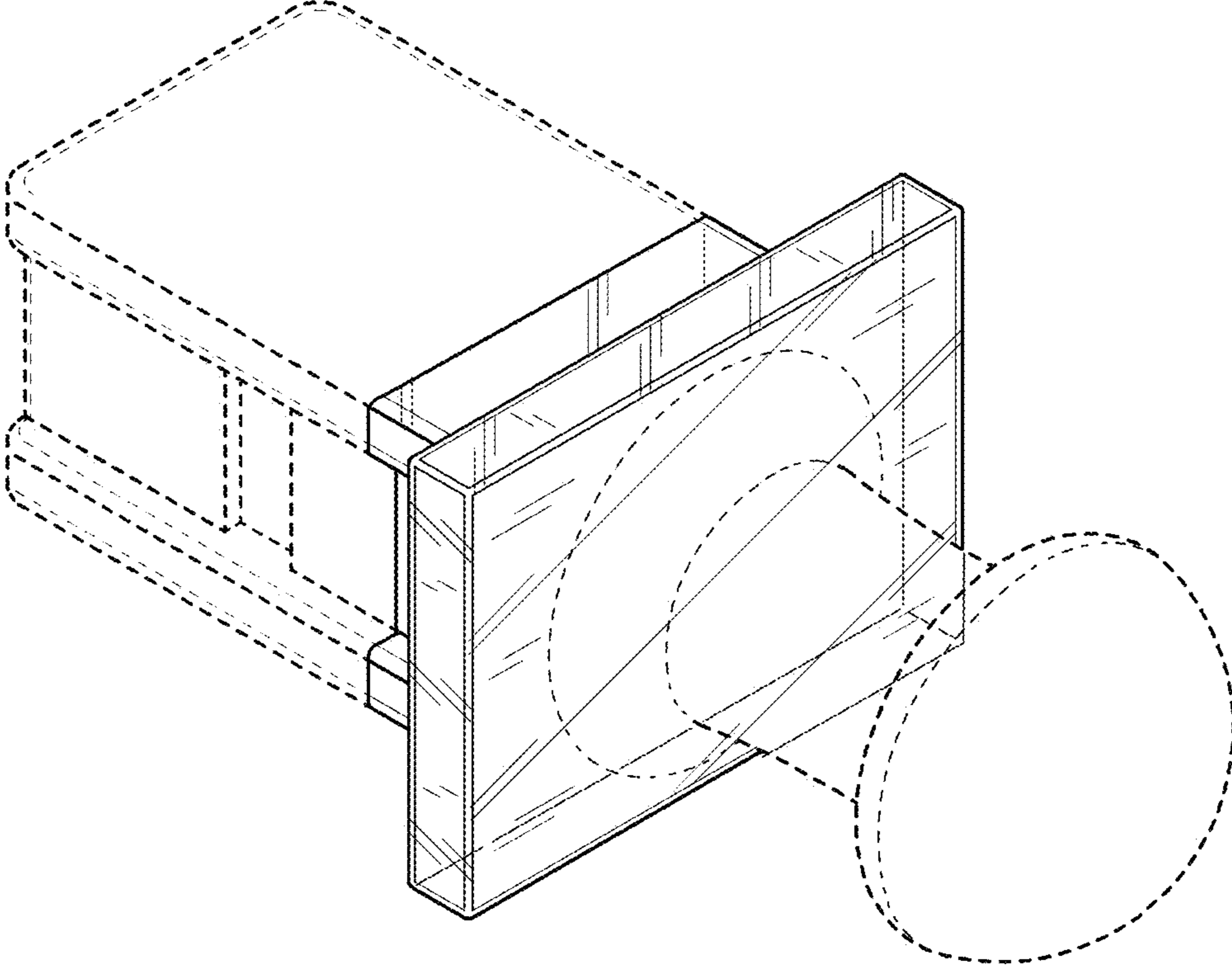


FIG. 1

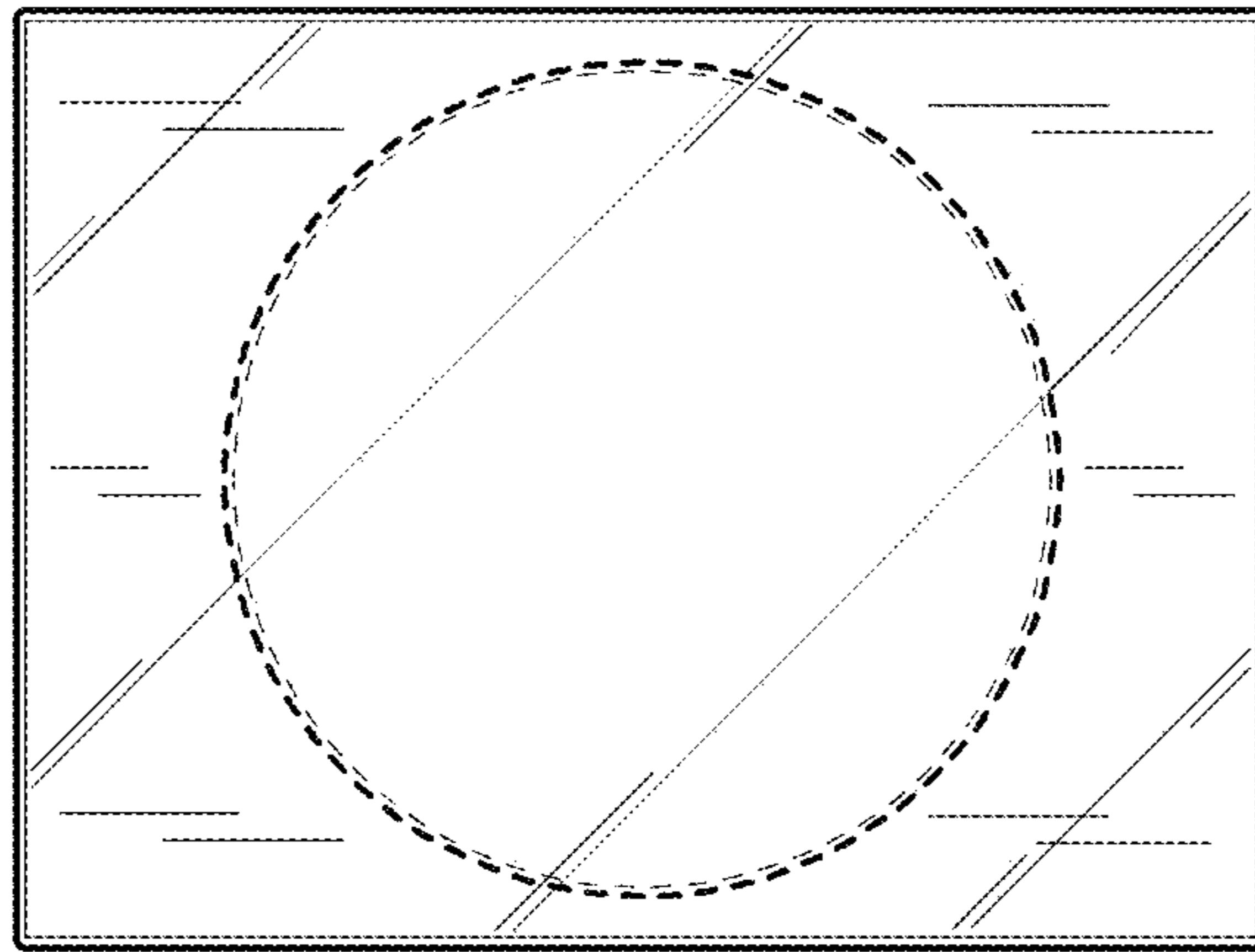


FIG. 2

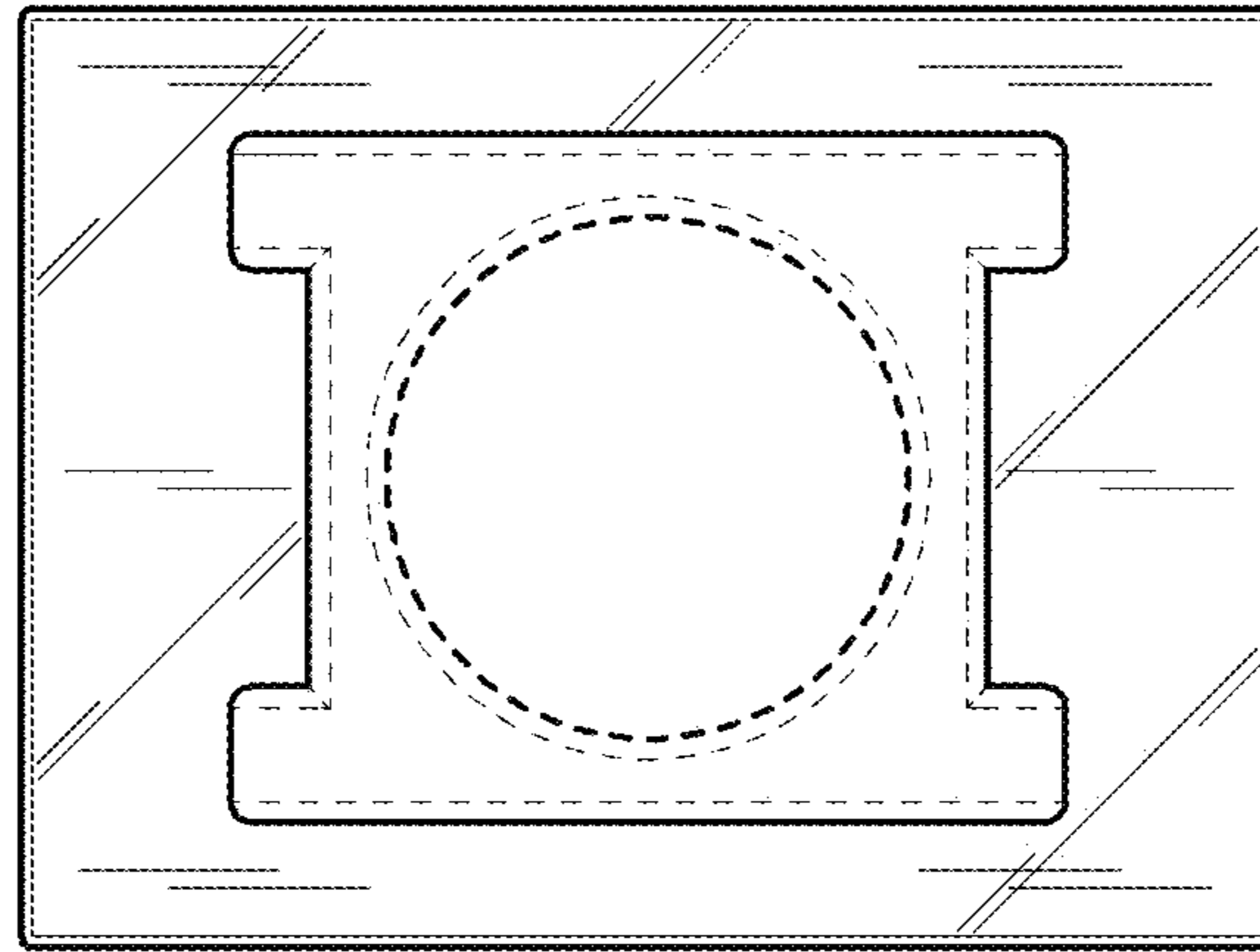


FIG. 3

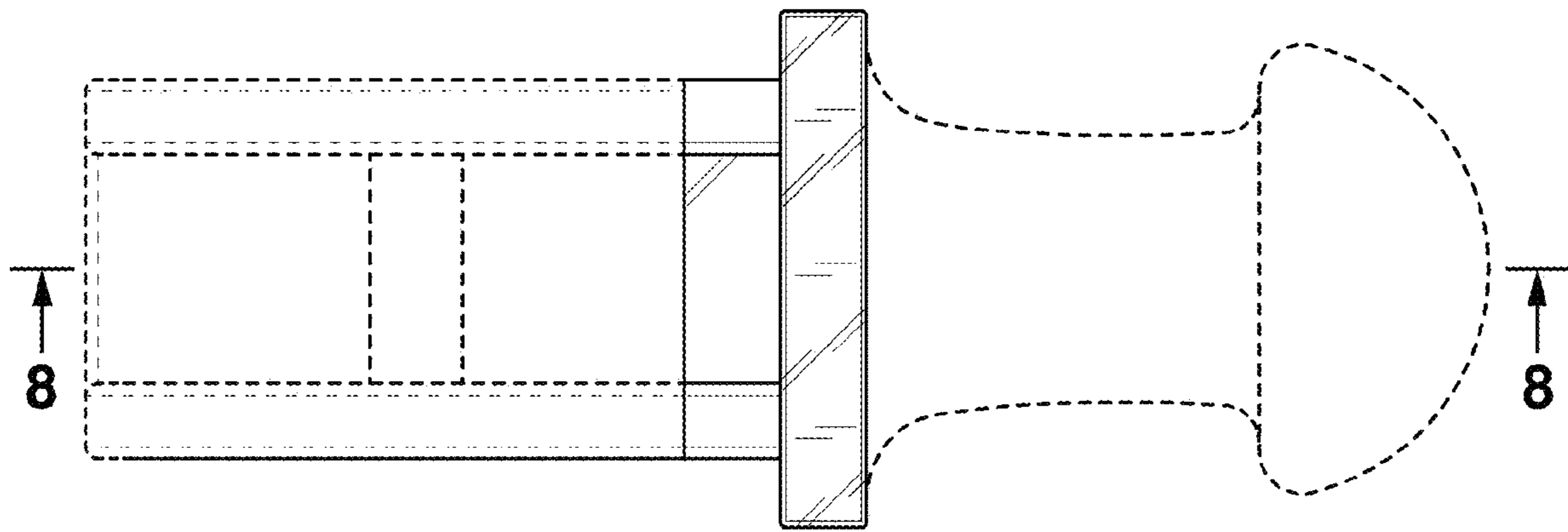


FIG. 4

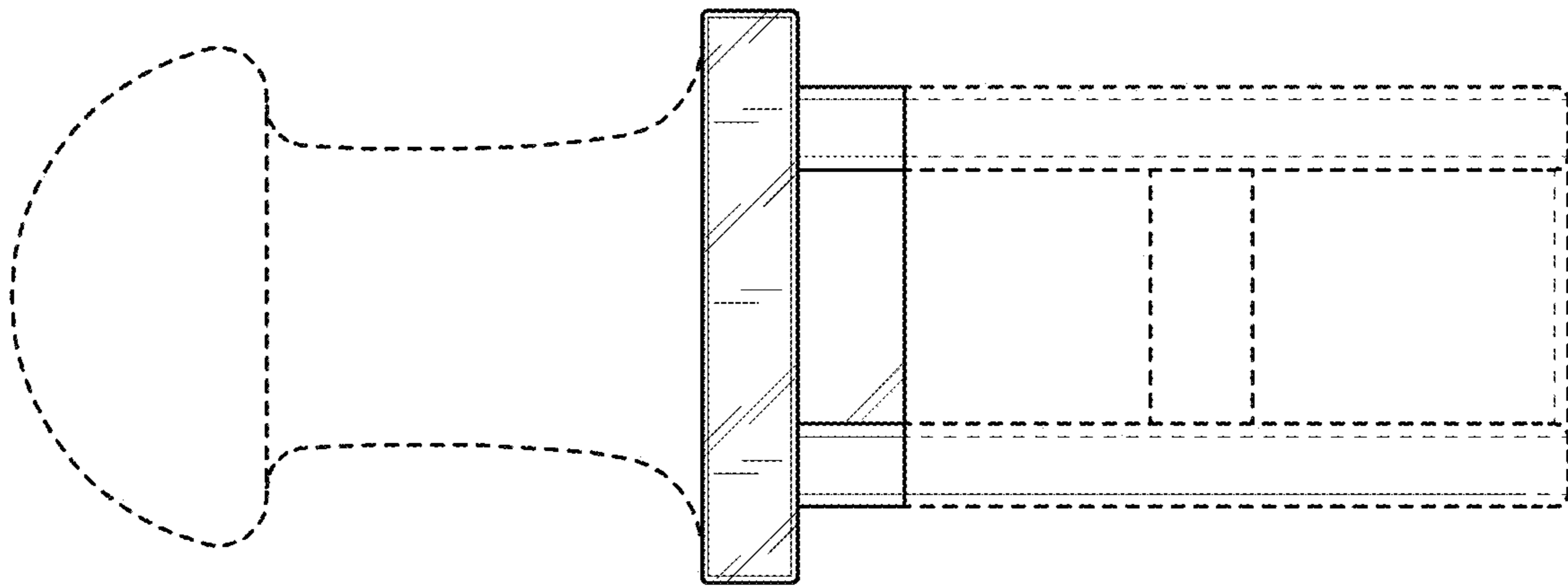


FIG. 5

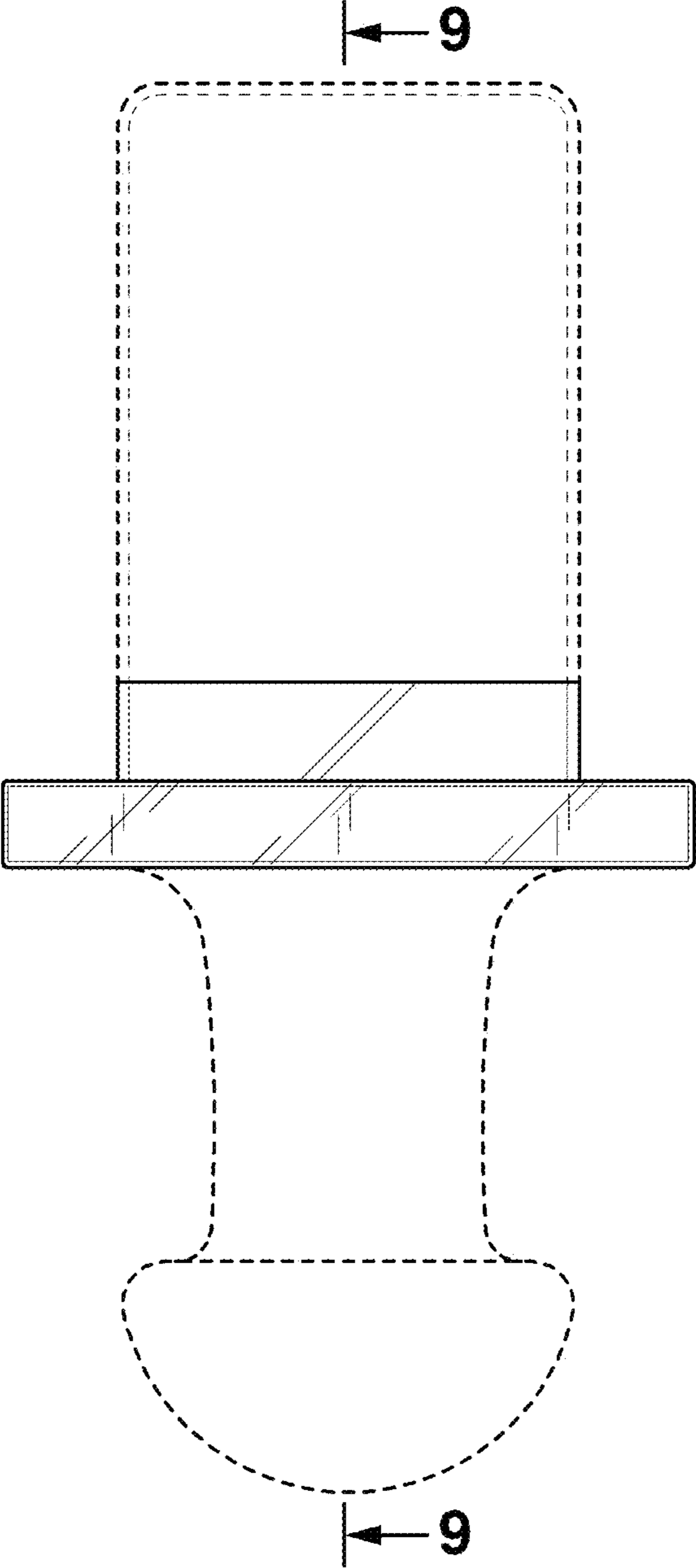


FIG. 6

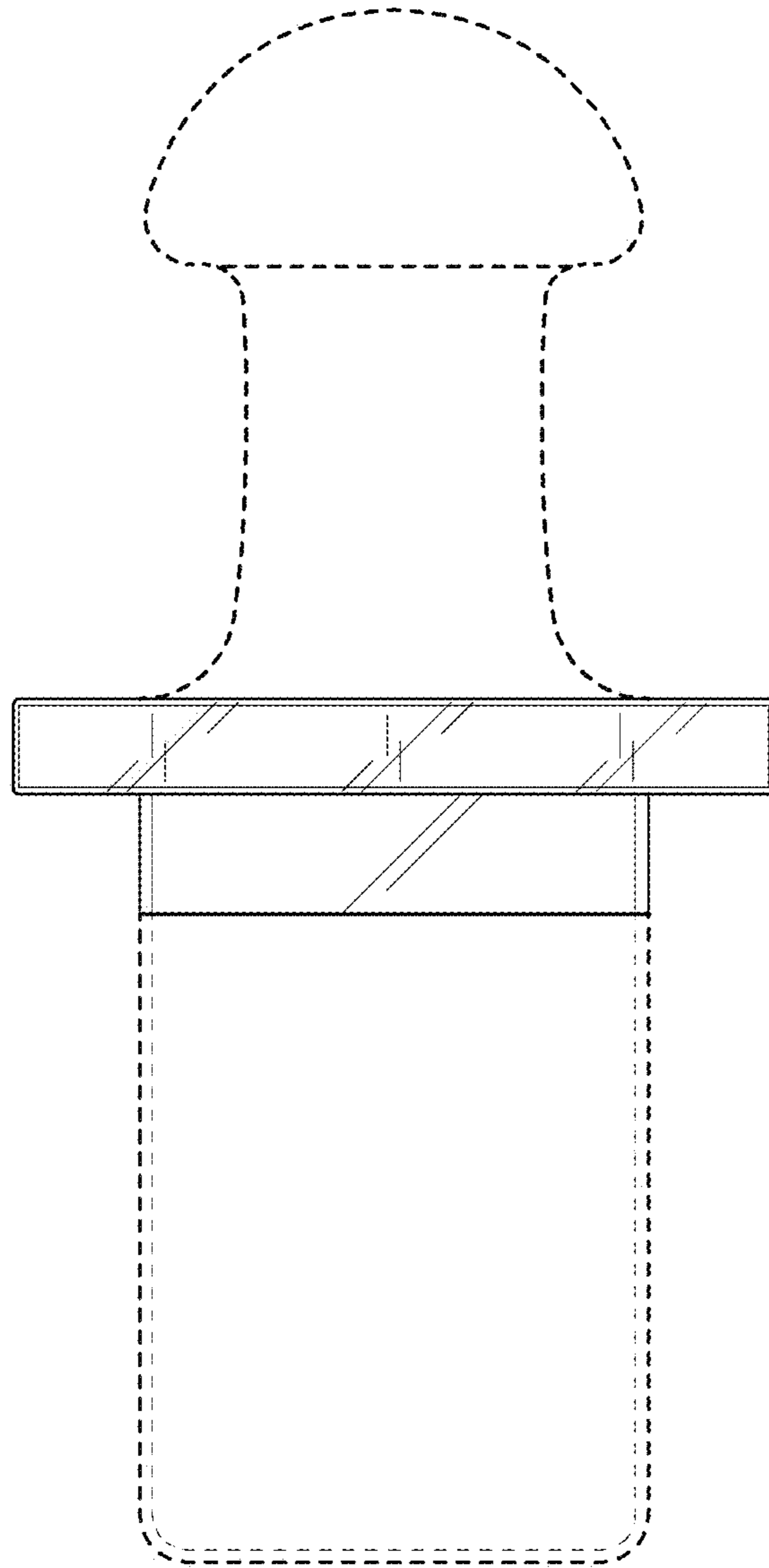


FIG. 7

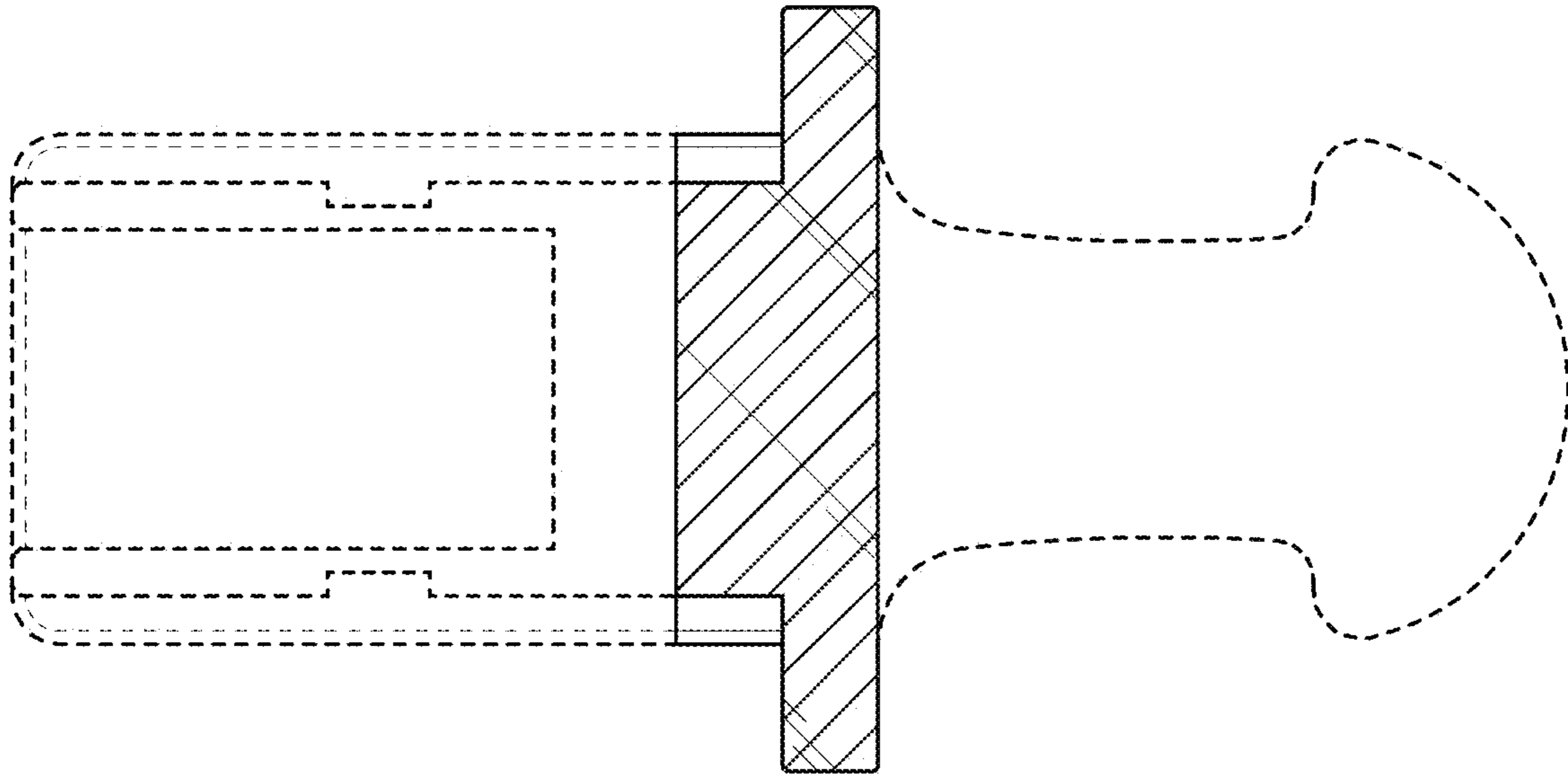


FIG. 8

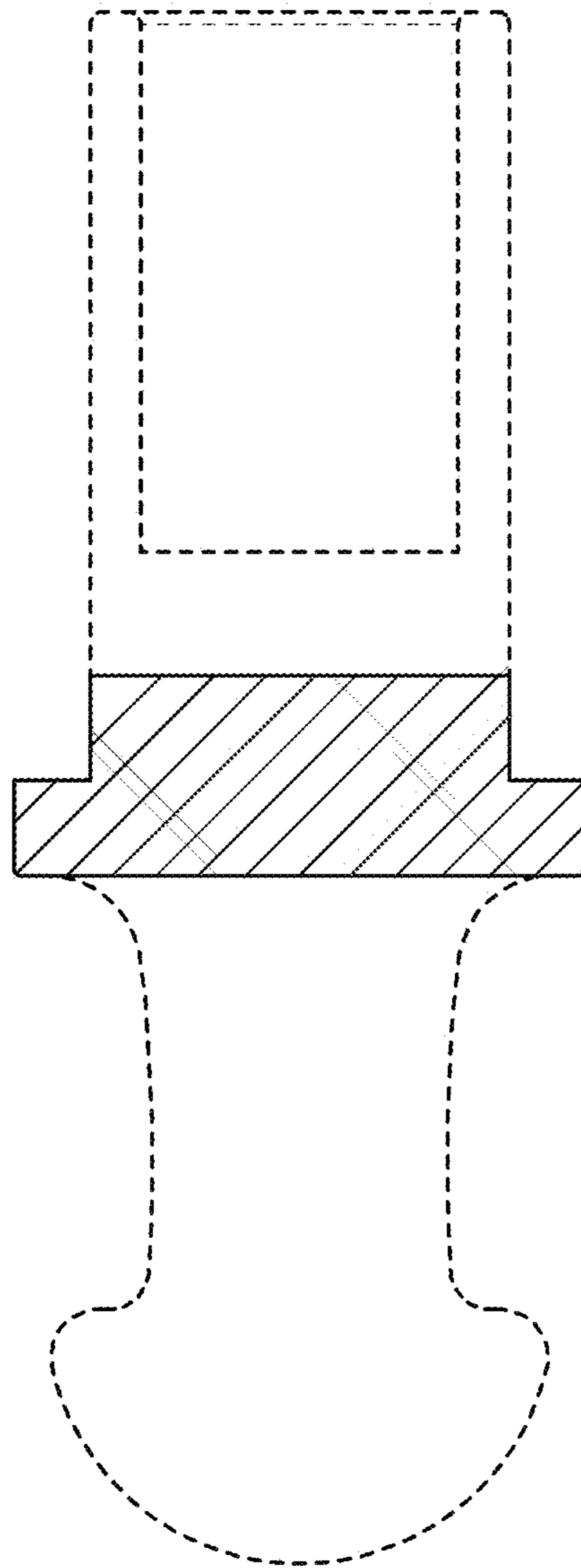


FIG. 9