



US00D951877S

(12) **United States Design Patent**  
**Li**

(10) **Patent No.:** **US D951,877 S**

(45) **Date of Patent:** **\*\* May 17, 2022**

(54) **CHARGING CABLE**

(71) Applicant: **GETAC TECHNOLOGY CORPORATION**, Hsinchu County (TW)

(72) Inventor: **Chun-Hsing Li**, Taipei (TW)

(73) Assignee: **GETAC TECHNOLOGY CORPORATION**, Hsinchu County (TW)

(\*\*) Term: **15 Years**

(21) Appl. No.: **29/703,142**

(22) Filed: **Aug. 23, 2019**

(51) **LOC (13) Cl.** ..... **13-03**

(52) **U.S. Cl.**  
USPC ..... **D13/153; D13/108**

(58) **Field of Classification Search**  
USPC ..... D13/103, 107-110, 112, 118, 119, 120, D13/122, 146, 184, 199, 153, 154, 157  
CPC ..... Y02E 60/12; H02J 7/025; H02J 7/0042; H02J 7/0044; H02J 7/0045; H02J 7/0003; H02J 7/0027; H02J 7/0013; H02J 7/0054; H02J 7/00; H02J 2001/008; H02J 3/32; H02J 3/008; H01F 38/14; H01R 13/6675; H01M 2/1022; H01M 2/1055; H01M 10/44; H01M 10/46; H01M 10/425; B60L 11/182; B60L 11/1809; B60L 11/1861; B60R 16/03  
See application file for complete search history.

(56) **References Cited**

**U.S. PATENT DOCUMENTS**

D442,555 S \* 5/2001 Milan ..... D13/147  
D442,556 S \* 5/2001 Milan ..... D13/147  
D456,772 S \* 5/2002 Grant ..... D13/110

D543,153 S \* 5/2007 Hayes ..... D13/154  
D558,769 S \* 1/2008 Krieger ..... D13/108  
D658,192 S \* 4/2012 Cullen ..... D14/453  
D662,879 S \* 7/2012 Steinbuchel, IV ..... D13/107  
D689,440 S \* 9/2013 Lee ..... D13/153  
D703,671 S \* 4/2014 Hackett ..... D14/433  
D780,824 S \* 3/2017 Li ..... D16/237  
D795,805 S \* 8/2017 Gray ..... D13/110  
D797,669 S \* 9/2017 Chang ..... D13/108  
D830,226 S \* 10/2018 Chang ..... D11/218  
D843,936 S \* 3/2019 Verbrugge ..... D13/107  
D875,674 S \* 2/2020 Smigel ..... D13/108  
D877,069 S \* 3/2020 Kern ..... D13/108  
D882,523 S \* 4/2020 Li ..... D13/147  
D911,942 S \* 3/2021 Park ..... D13/108  
D913,221 S \* 3/2021 Druce ..... D13/108  
D915,289 S \* 4/2021 Goodfellow ..... D13/146  
D928,087 S \* 8/2021 Wang ..... D13/118  
D934,255 S \* 10/2021 Yang ..... D14/433

\* cited by examiner

*Primary Examiner* — Christy Nemeth

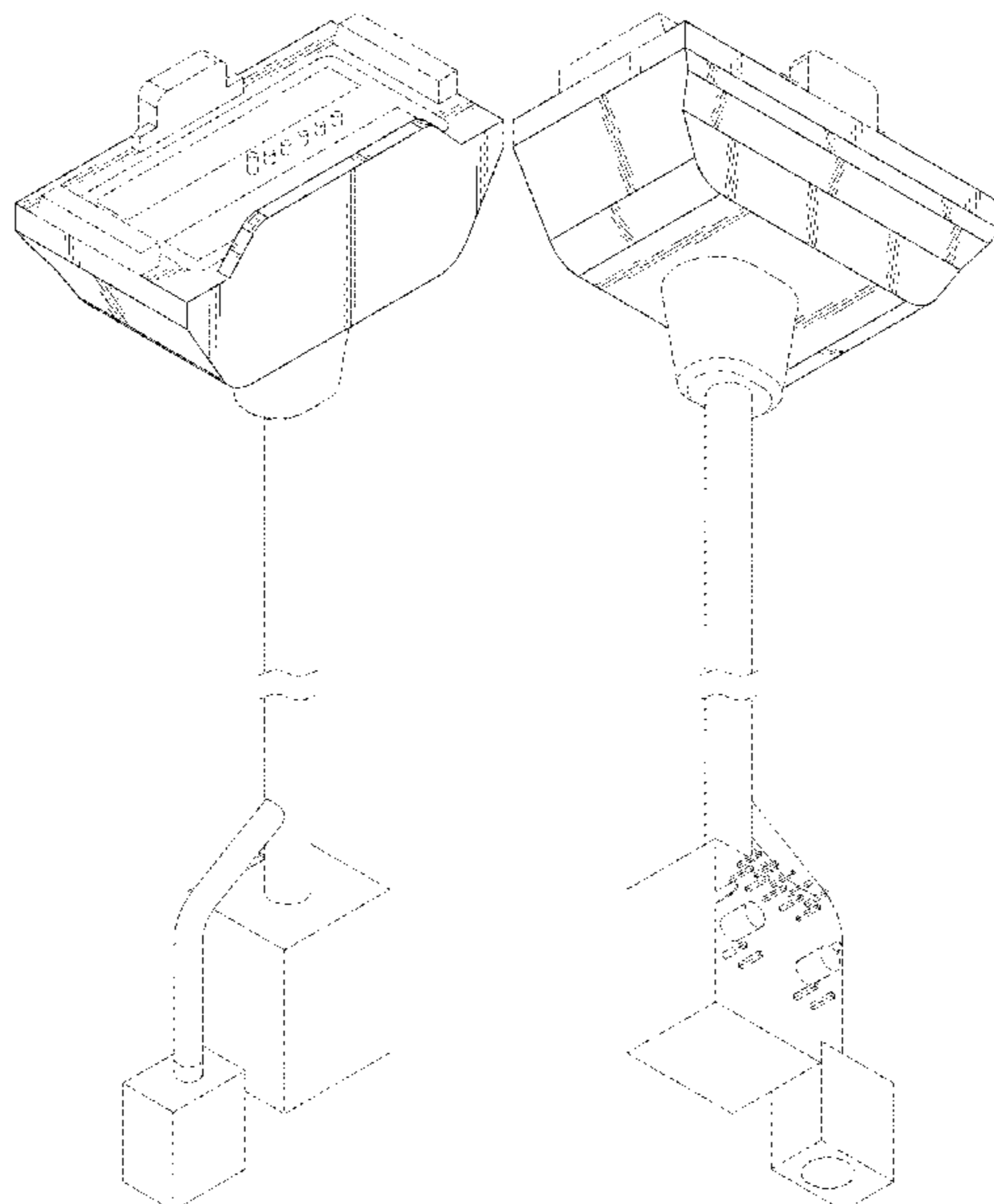
(57) **CLAIM**

The ornamental design for a charging cable, as shown and described.

**DESCRIPTION**

FIG. 1 is a top, front and left side perspective view of a charging cable of my new design;  
FIG. 2 is a bottom, rear and right side perspective view thereof;  
FIG. 3 is a front view thereof;  
FIG. 4 is a rear view thereof;  
FIG. 5 is a left side view thereof;  
FIG. 6 is a right side view thereof;  
FIG. 7 is a top view thereof; and,  
FIG. 8 is a bottom view thereof.  
The broken lines illustrate portions of the charging cable that form no part of the claimed design.

**1 Claim, 8 Drawing Sheets**



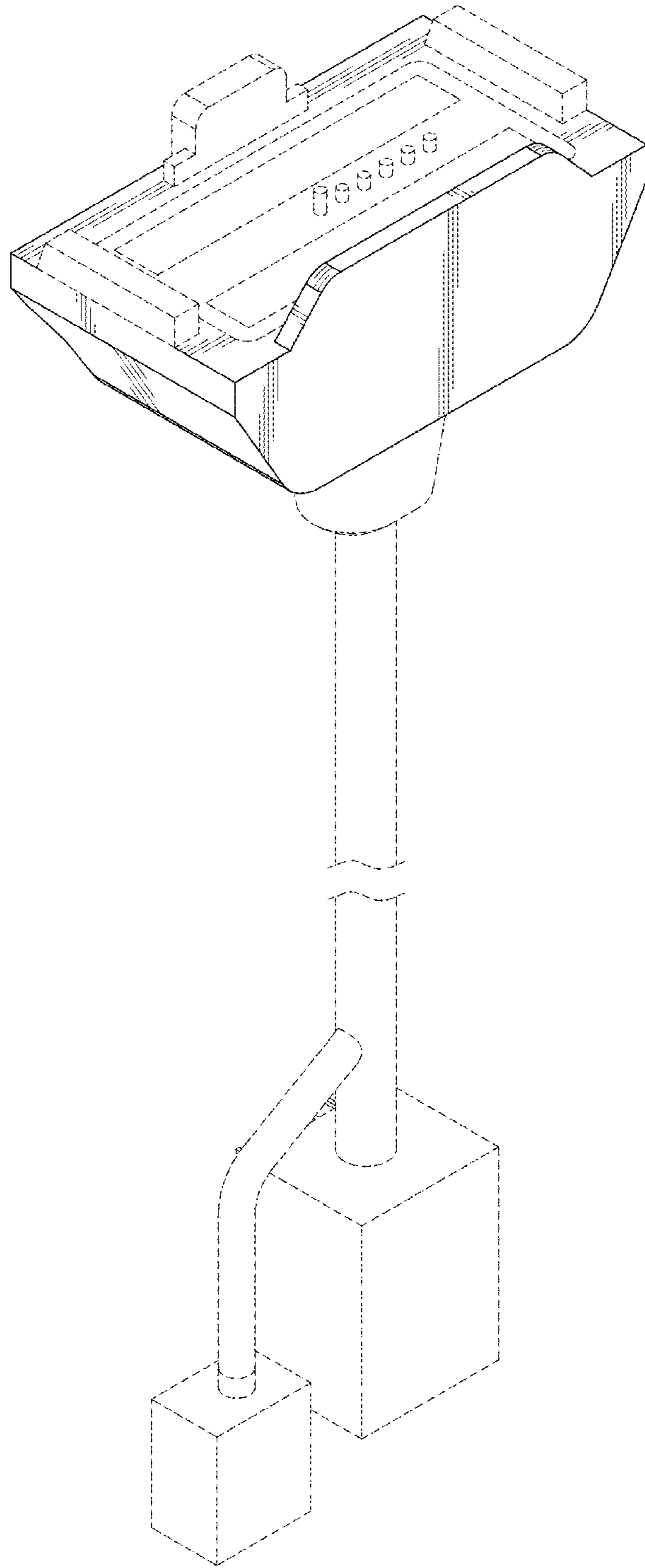


FIG. 1

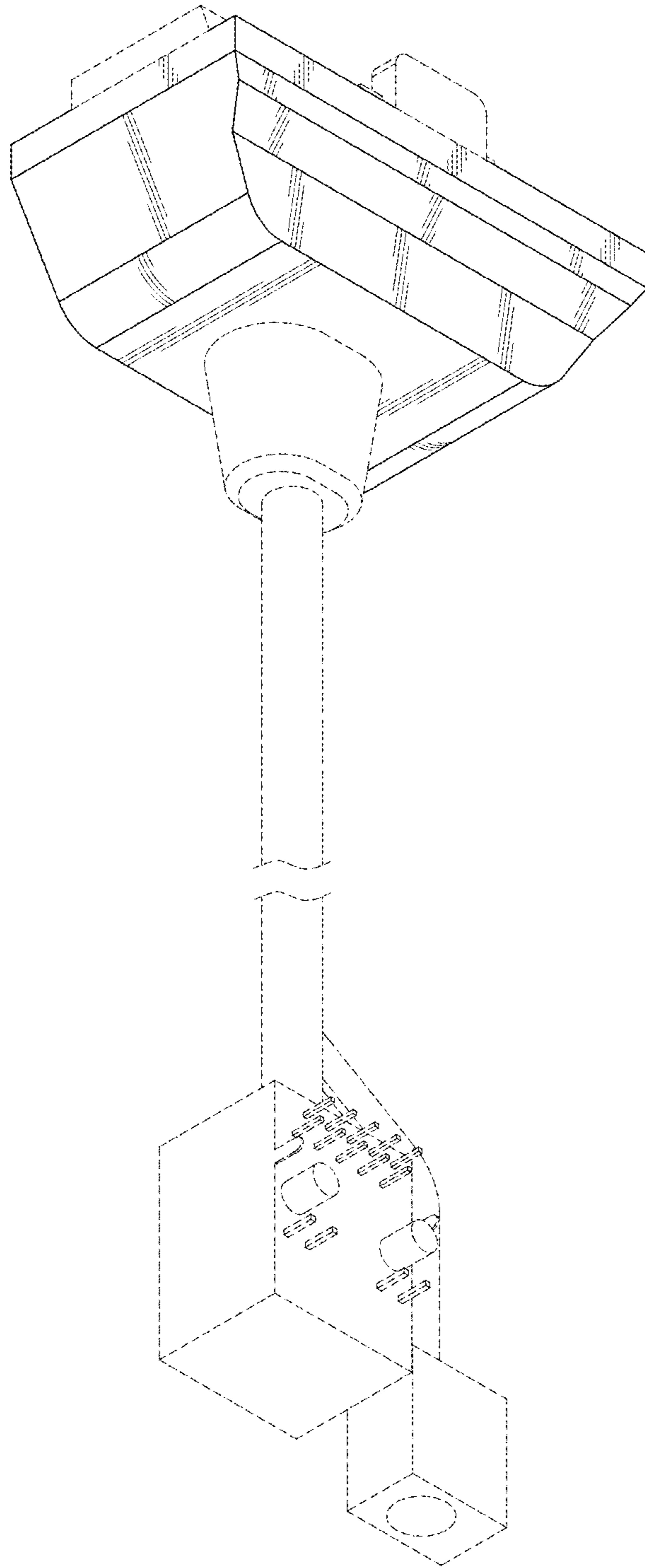


FIG. 2

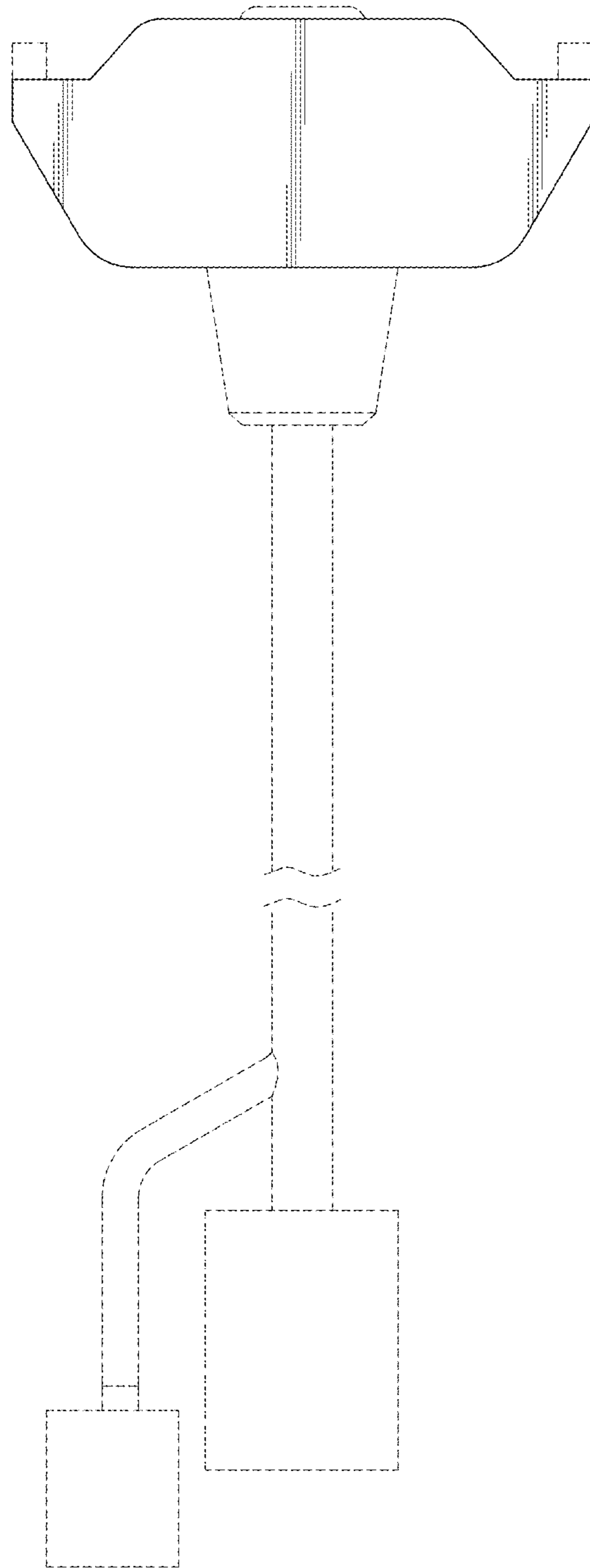


FIG. 3

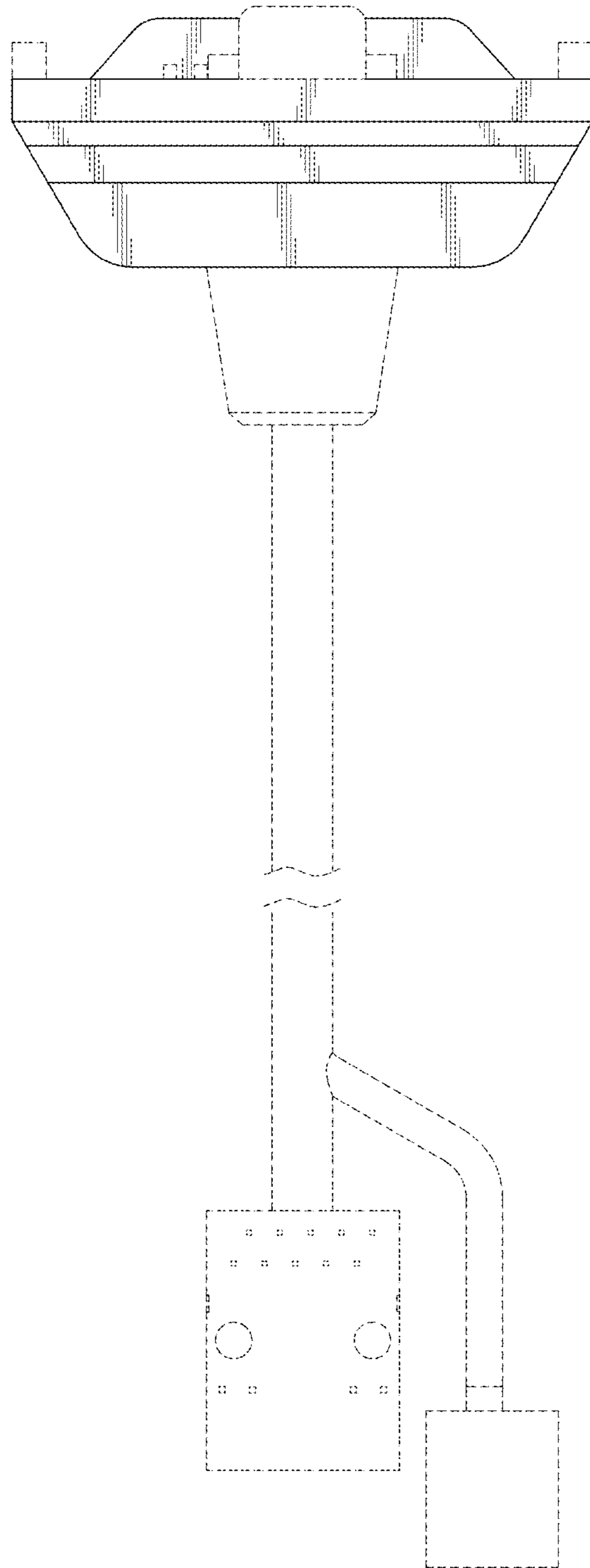


FIG. 4

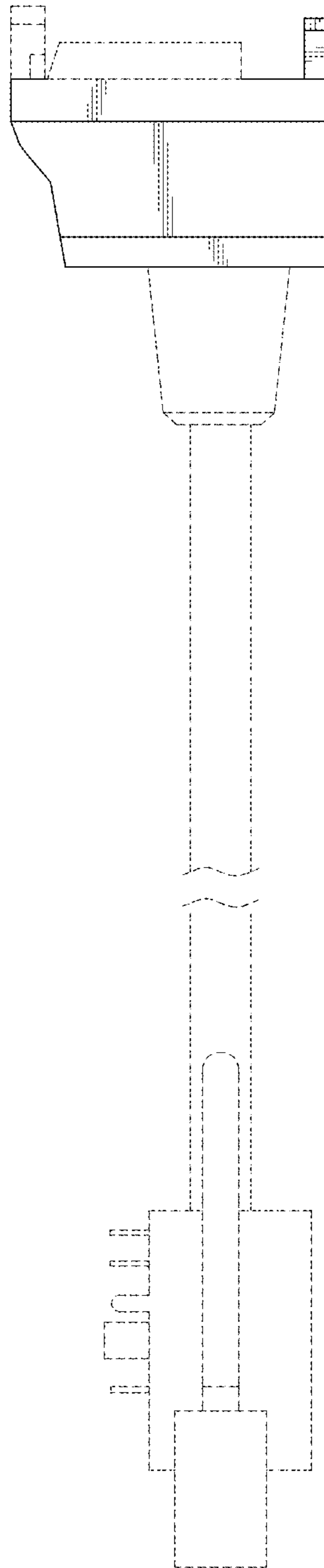


FIG. 5

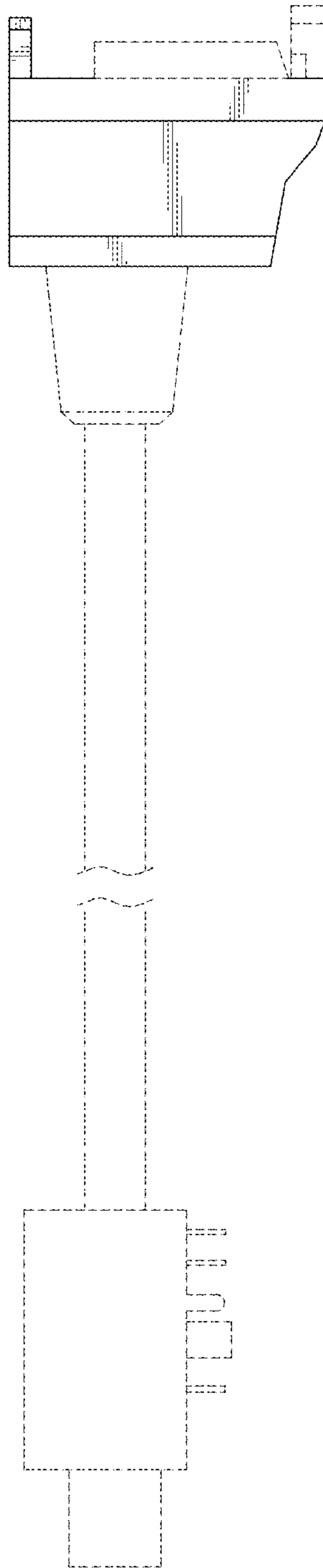


FIG. 6

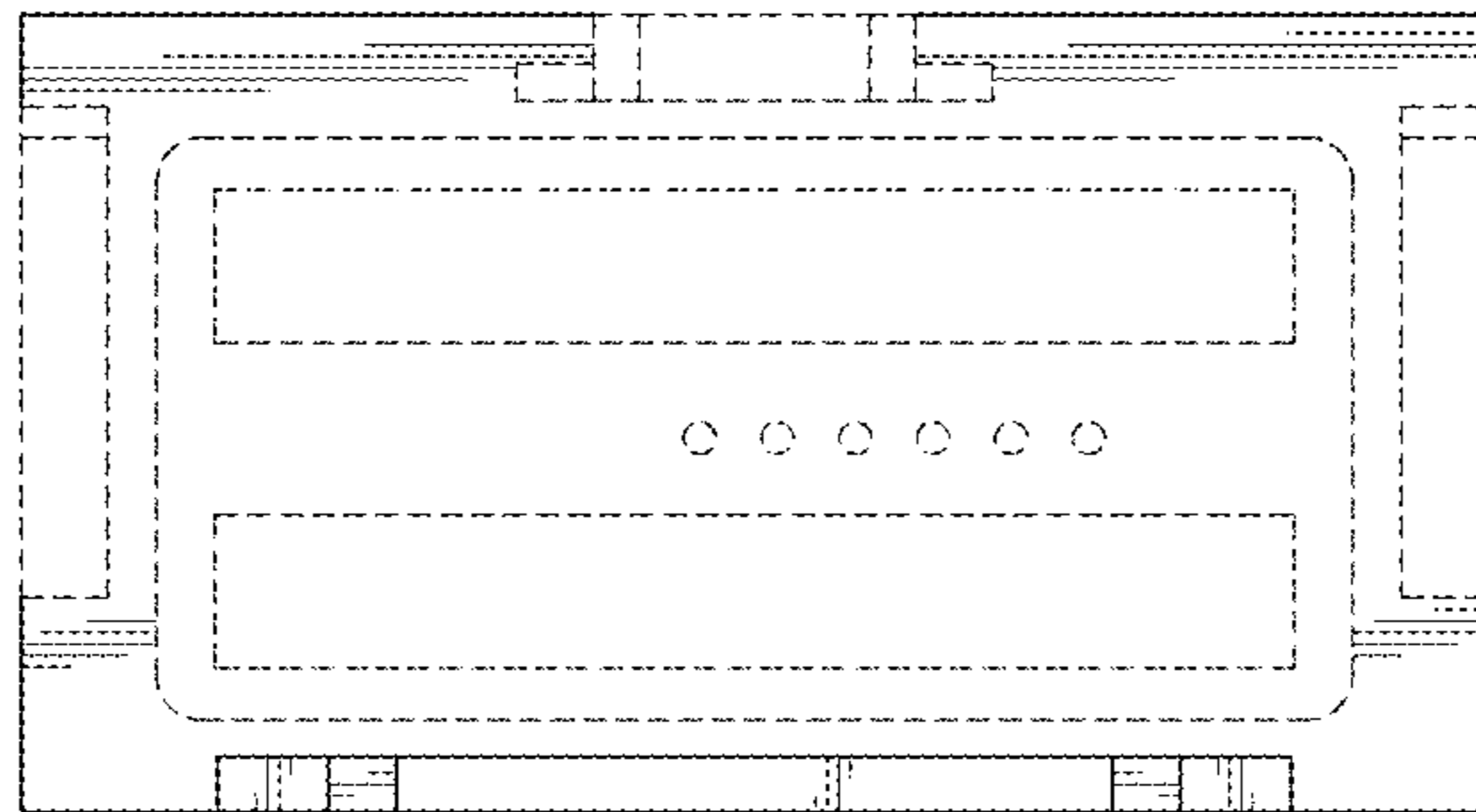


FIG. 7



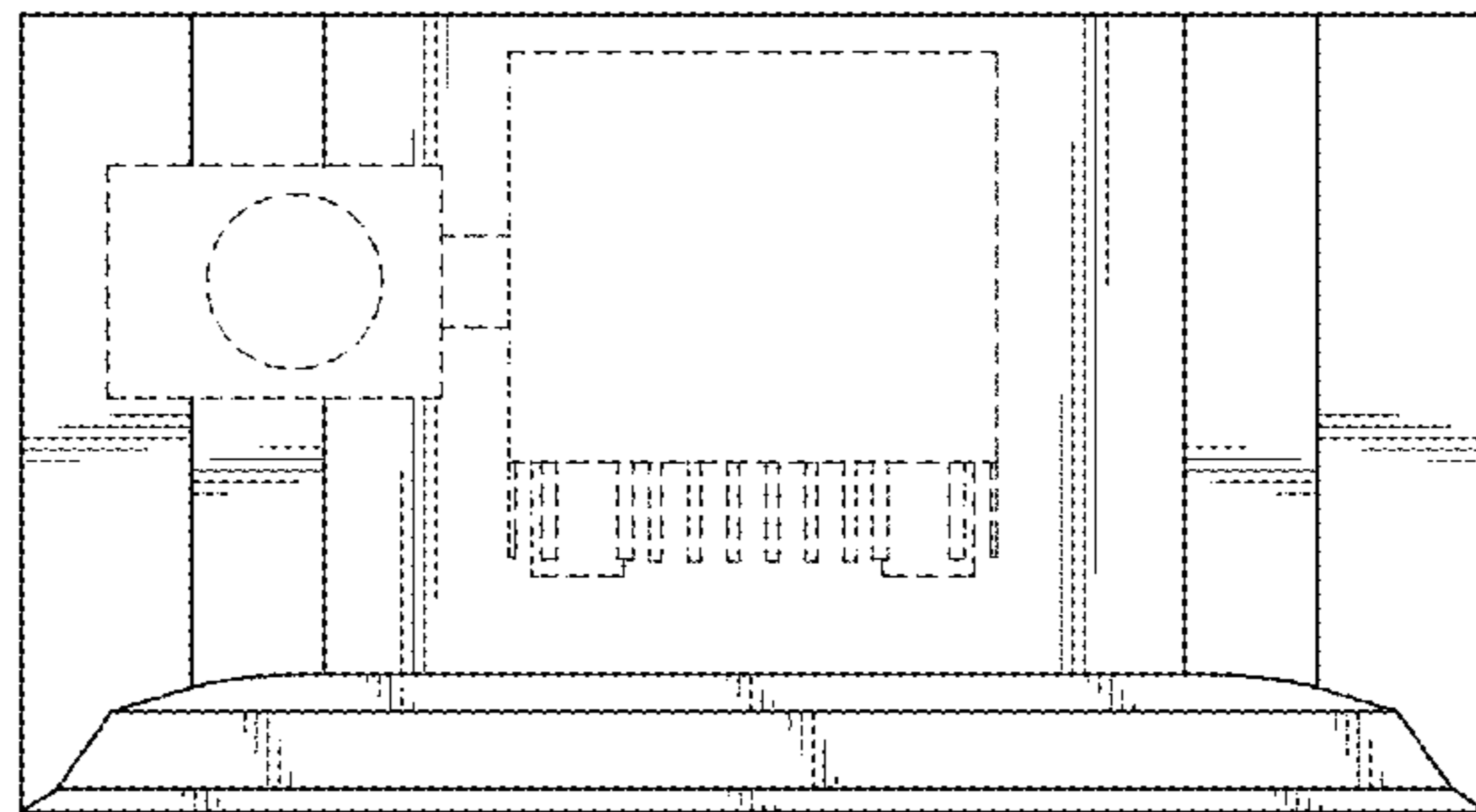


FIG. 8