



US00D951876S

(12) **United States Design Patent**  
**Zabjanovski et al.**

(10) **Patent No.:** **US D951,876 S**

(45) **Date of Patent:** **\*\* May 17, 2022**

(54) **CONNECTOR**

(71) Applicant: **Molex, LLC**, Lisle, IL (US)

(72) Inventors: **Lupco Zabjanovski**, Countryside, IL (US); **Robert Piszczor**, La Grange, IL (US); **Jeffrey J. Shrigley**, Wheaton, IL (US); **Michael A. Bandura**, Naperville, IL (US)

(73) Assignee: **Molex, LLC**, Lisle, IL (US)

(\*\*) Term: **15 Years**

(21) Appl. No.: **29/713,428**

(22) Filed: **Nov. 15, 2019**

(51) **LOC (13) Cl.** ..... **13-03**

(52) **U.S. Cl.**

USPC ..... **D13/147**; D13/154

(58) **Field of Classification Search**

USPC ..... D13/103, 110, 118–120, 123, 133, 146,  
D13/147, 154, 173, 174, 178, 184, 199

CPC ..... H01R 4/48; H01R 12/00; H01R 12/72;  
H01R 12/724; H01R 13/00; H01R 13/42;

H01R 13/428; H01R 13/44; H01R

13/514; H01R 13/62; H01R 13/627;

H01R 13/631; H01R 13/658; H01R

13/73; H01R 24/00;

(Continued)

(56) **References Cited**

**U.S. PATENT DOCUMENTS**

4,761,144 A \* 8/1988 Hunt, III ..... H01R 13/74  
29/825

5,184,964 A \* 2/1993 Douty ..... H01R 13/6315  
439/247

(Continued)

**FOREIGN PATENT DOCUMENTS**

GN 305045923 2/2019

JP D1584751 8/2017

TW D158697 2/2014

**OTHER PUBLICATIONS**

Molex EXTreme Ten60Power™ High-Current Connector, dated Nov. 10, 2009, [online], [site visited Feb. 24, 2021]. Available from Internet, URL: <https://www.youtube.com/watch?v=fYrC75UF94I> (Year: 2009).\*

(Continued)

*Primary Examiner* — Shawn T Gingrich

(74) *Attorney, Agent, or Firm* — Banner & Witcoff, Ltd.

(57) **CLAIM**

The ornamental design for a connector, as shown and described.

**DESCRIPTION**

FIG. 1 is a front top perspective view of a connector showing our new design;

FIG. 2 is a front bottom perspective view thereof;

FIG. 3 is a front view thereof;

FIG. 4 is a rear view thereof;

FIG. 5 is a right side view thereof;

FIG. 6 is a left side view thereof;

FIG. 7 is a top view thereof;

FIG. 8 is a bottom view thereof;

FIG. 9 is a front top perspective view of the connector of FIGS. 1-8 showing a mirrored embodiment;

FIG. 10 is a front bottom perspective view thereof;

FIG. 11 is a front view thereof;

FIG. 12 is a rear view thereof;

FIG. 13 is a left side view thereof;

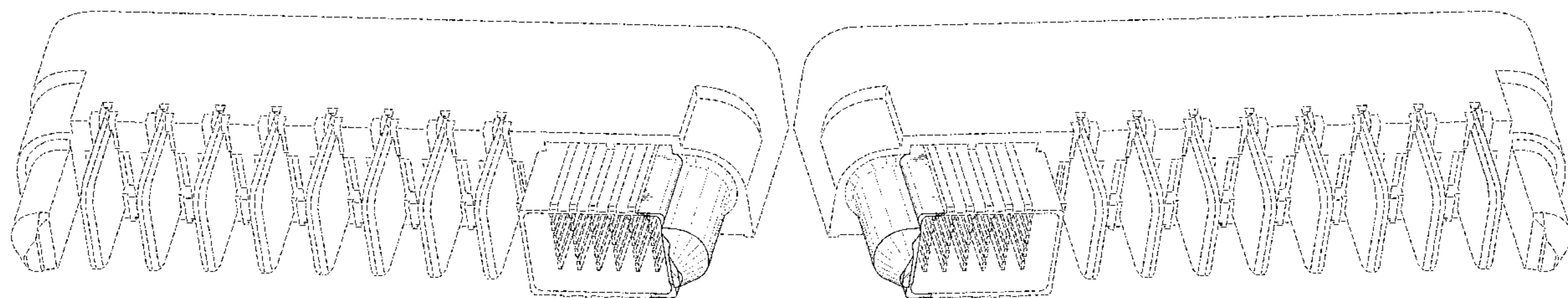
FIG. 14 is a right side view thereof;

FIG. 15 is a top view thereof; and,

FIG. 16 is a bottom view thereof.

The uneven-length broken lines immediately adjacent to the shaded area represent the bounds of the claimed design and form no part thereof. The even-length broken lines depicting the remainder of the connector form no part of the claimed design.

**1 Claim, 16 Drawing Sheets**



(58) **Field of Classification Search**

CPC ..... H01R 27/00; H01R 27/02; H01R 33/00;  
H01R 43/04; H01R 43/20; H05K 1/00;  
H05K 7/20; H05K 7/20127

See application file for complete search history.

(56) **References Cited**

U.S. PATENT DOCUMENTS

5,197,896 A \* 3/1993 Landis ..... H01R 13/6315  
439/247  
5,466,171 A \* 11/1995 Bixler ..... H01R 13/64  
439/378  
D488,447 S \* 4/2004 Kuroki ..... D13/147  
D490,377 S \* 5/2004 Sato ..... D13/147  
6,881,102 B2 \* 4/2005 Correll ..... H01R 13/428  
439/752  
8,419,476 B1 \* 4/2013 Yu ..... H01R 25/162  
439/626  
8,662,913 B2 \* 3/2014 Tai ..... H01R 13/50  
439/345  
D792,849 S \* 7/2017 Mugan ..... D13/147  
D836,071 S 12/2018 Webb  
D924,165 S \* 7/2021 Zabjanovski ..... D13/147  
D924,166 S \* 7/2021 Zabjanovski ..... D13/147  
D924,167 S \* 7/2021 Zabjanovski ..... D13/147  
D930,593 S \* 9/2021 Zabjanovski ..... D13/147  
11,121,509 B2 \* 9/2021 Wei ..... H01R 13/73  
2006/0281354 A1 \* 12/2006 Ngo ..... H01R 12/7088  
439/290  
2009/0088028 A1 \* 4/2009 Ngo ..... H01R 13/112  
439/682  
2011/0287658 A1 \* 11/2011 Yu ..... H01R 12/7088  
439/485  
2012/0142227 A1 \* 6/2012 Yu ..... H01R 13/506  
439/695  
2012/0164892 A1 \* 6/2012 Ke ..... H01R 13/11  
439/676  
2013/0252468 A1 \* 9/2013 Yu ..... H01R 12/7088  
439/626  
2016/0079704 A1 \* 3/2016 Chen ..... H01R 13/631  
439/374  
2016/0149363 A1 \* 5/2016 Patel ..... H01R 27/02  
439/638  
2017/0006733 A1 \* 1/2017 Gregori ..... H01R 13/514  
2018/0219332 A1 \* 8/2018 Brungard ..... H01R 12/724  
2020/0280142 A1 \* 9/2020 Hung ..... H01R 9/24  
2020/0328565 A1 \* 10/2020 Wei ..... H01R 12/724

OTHER PUBLICATIONS

Molex EXTreme Power Products, dated 2017, [online], [site visited Feb. 24, 2021]. Available from Internet, URL: [http://www.literature.molex.com/SQLImages/kelmscott/Molex/PDF\\_Images/987650-2582.PDF](http://www.literature.molex.com/SQLImages/kelmscott/Molex/PDF_Images/987650-2582.PDF) (Year: 2017).\*

EXTreme™ Ten60 Power™ High Current Connector Japan Molex, dated Aug. 20, 2012, [online], [site visited Feb. 24, 2021]. Available from Internet, URL: [http://blog.sina.com.cn/s/blog\\_725509fd01018imx.html](http://blog.sina.com.cn/s/blog_725509fd01018imx.html) (Year: 2012).\*

Molex Connector Part No.—46437-3001, published date unknown, but prior to the filing date of the present application, [online], [site visited Oct. 5, 2021]. Available from Internet, URL: [https://www.molex.com/molex/products/part-detail/pcb\\_headers/0464373001](https://www.molex.com/molex/products/part-detail/pcb_headers/0464373001).

Molex Connector Part No.—46437-3101, published date unknown, but prior to the filing date of the present application, [online], [site visited Oct. 5, 2021]. Available from Internet, URL: [https://www.molex.com/molex/products/part-detail/pcb\\_headers/0464373101](https://www.molex.com/molex/products/part-detail/pcb_headers/0464373101).

Molex Connector Part No.—46437-3105, published date unknown, but prior to the filing date of the present application, [online], [site visited Oct. 5, 2021]. Available from Internet, URL: [https://www.molex.com/molex/products/part-detail/pcb\\_headers/0464373105](https://www.molex.com/molex/products/part-detail/pcb_headers/0464373105).

Molex Connector Part No.—46437-3109, published date unknown, but prior to the filing date of the present application, [online], [site visited Oct. 5, 2021]. Available from Internet, URL: [https://www.molex.com/molex/products/part-detail/pcb\\_headers/0464373109](https://www.molex.com/molex/products/part-detail/pcb_headers/0464373109).

Molex Connector Part No.—46437-1273, published date unknown, but prior to the filing date of the present application, [online], [site visited Oct. 5, 2021]. Available from Internet, URL: [https://www.molex.com/molex/products/part-detail/pcb\\_headers/0464371273](https://www.molex.com/molex/products/part-detail/pcb_headers/0464371273).

Molex Connector Part No.—46437-1379, published date unknown, but prior to the filing date of the present application, [online], [site visited Oct. 5, 2021]. Available from Internet, URL: [https://www.molex.com/molex/products/part-detail/pcb\\_headers/0464371379](https://www.molex.com/molex/products/part-detail/pcb_headers/0464371379).

Molex Connector Part No.—46437-1003, published date unknown, but prior to the filing date of the present application, [online], [site visited Oct. 5, 2021]. Available from Internet, URL: [https://www.molex.com/molex/products/part-detail/pcb\\_headers/0464371003](https://www.molex.com/molex/products/part-detail/pcb_headers/0464371003).

Molex Connector Part No.—46437-1006, published date unknown, but prior to the filing date of the present application, [online], [site visited Oct. 5, 2021]. Available from Internet, URL: [https://www.molex.com/molex/products/part-detail/pcb\\_headers/0464371006](https://www.molex.com/molex/products/part-detail/pcb_headers/0464371006).

Molex Connector Part No.—46437-1073, published date unknown, but prior to the filing date of the present application, [online], [site visited Oct. 5, 2021]. Available from Internet, URL: [https://www.molex.com/molex/products/part-detail/pcb\\_headers/0464371073](https://www.molex.com/molex/products/part-detail/pcb_headers/0464371073).

Molex Connector Part No.—46437-1094, published date unknown, but prior to the filing date of the present application, [online], [site visited Oct. 5, 2021]. Available from Internet, URL: [https://www.molex.com/molex/products/part-detail/pcb\\_headers/0464371094](https://www.molex.com/molex/products/part-detail/pcb_headers/0464371094).

\* cited by examiner

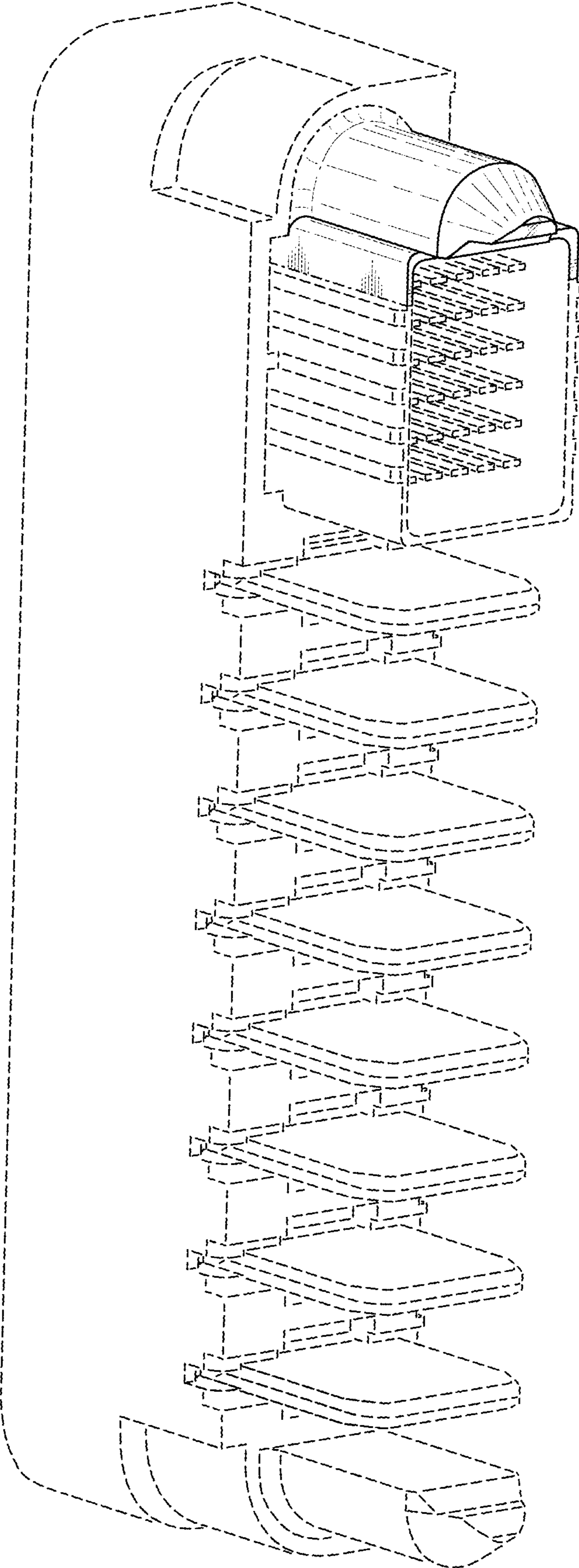


FIG. 1

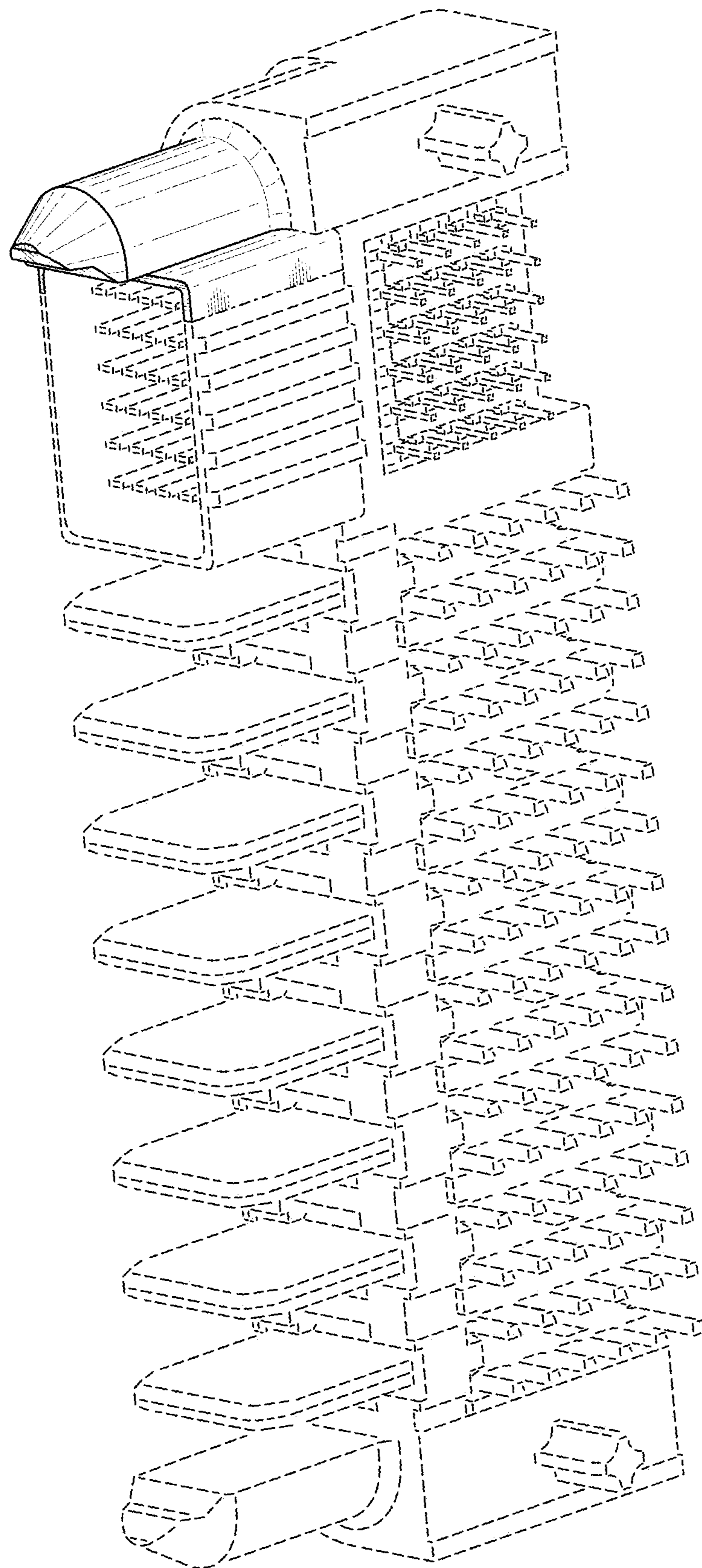


FIG. 2

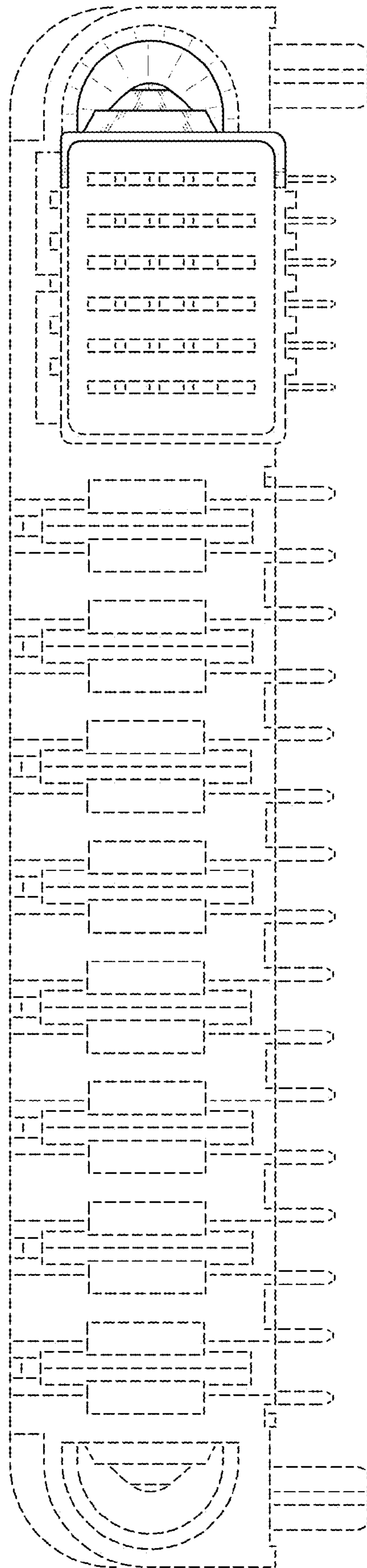


FIG. 3

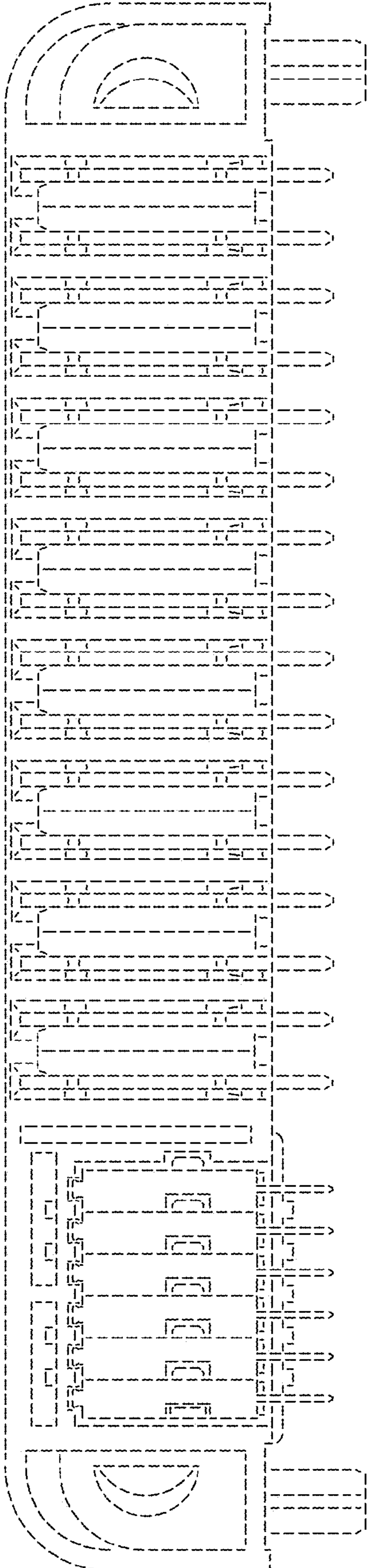


FIG. 4

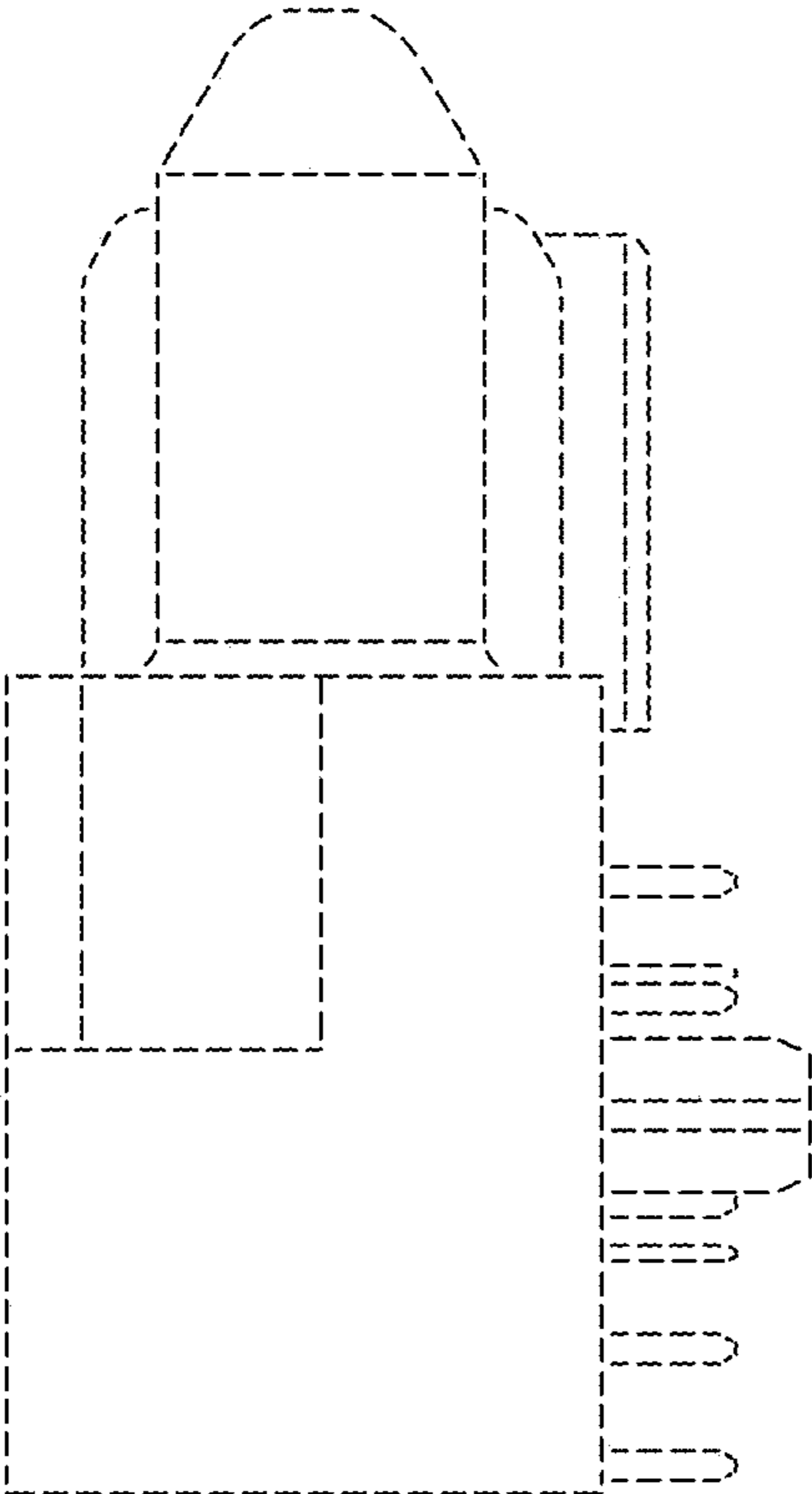


FIG. 5

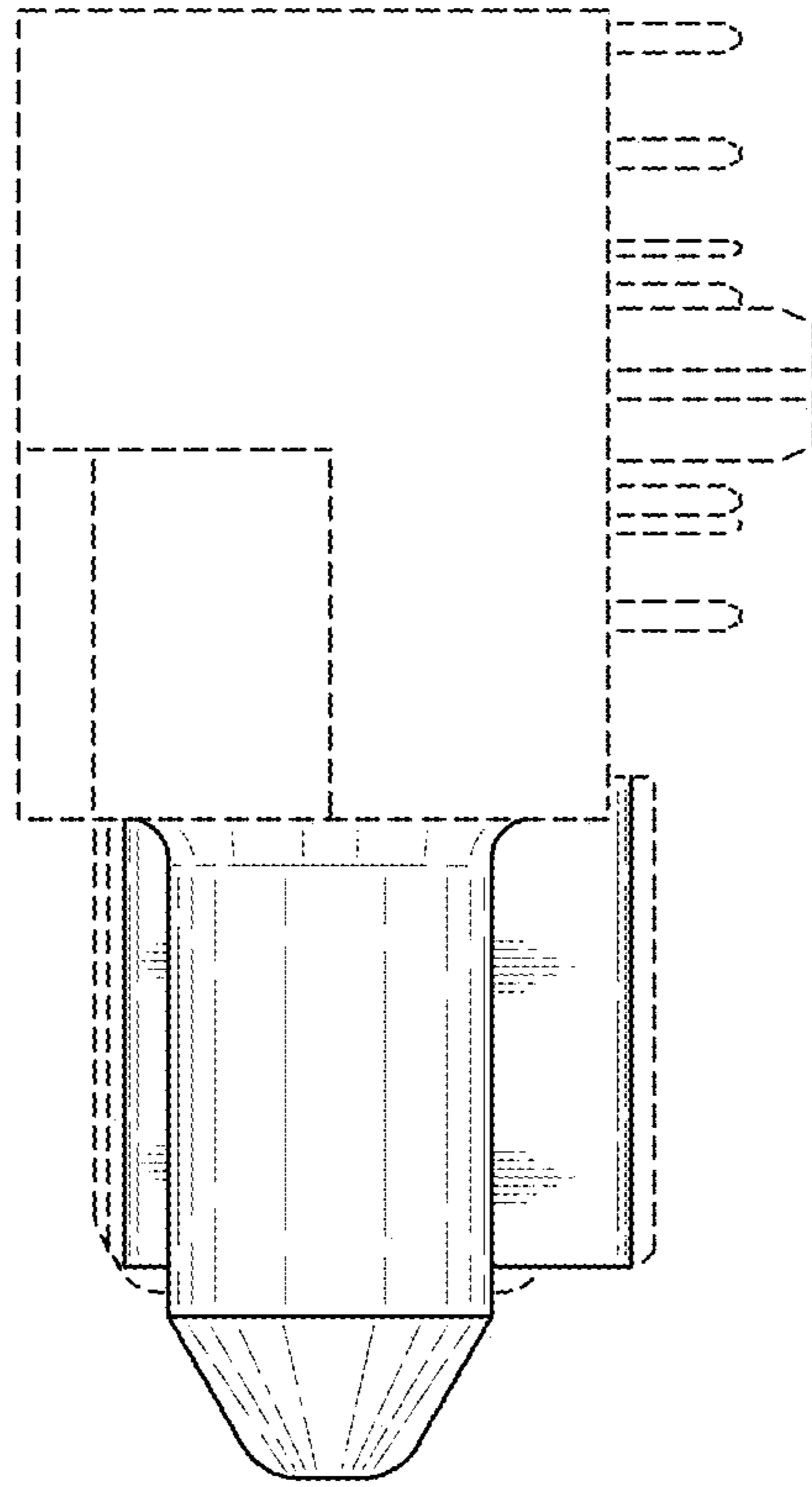


FIG. 6



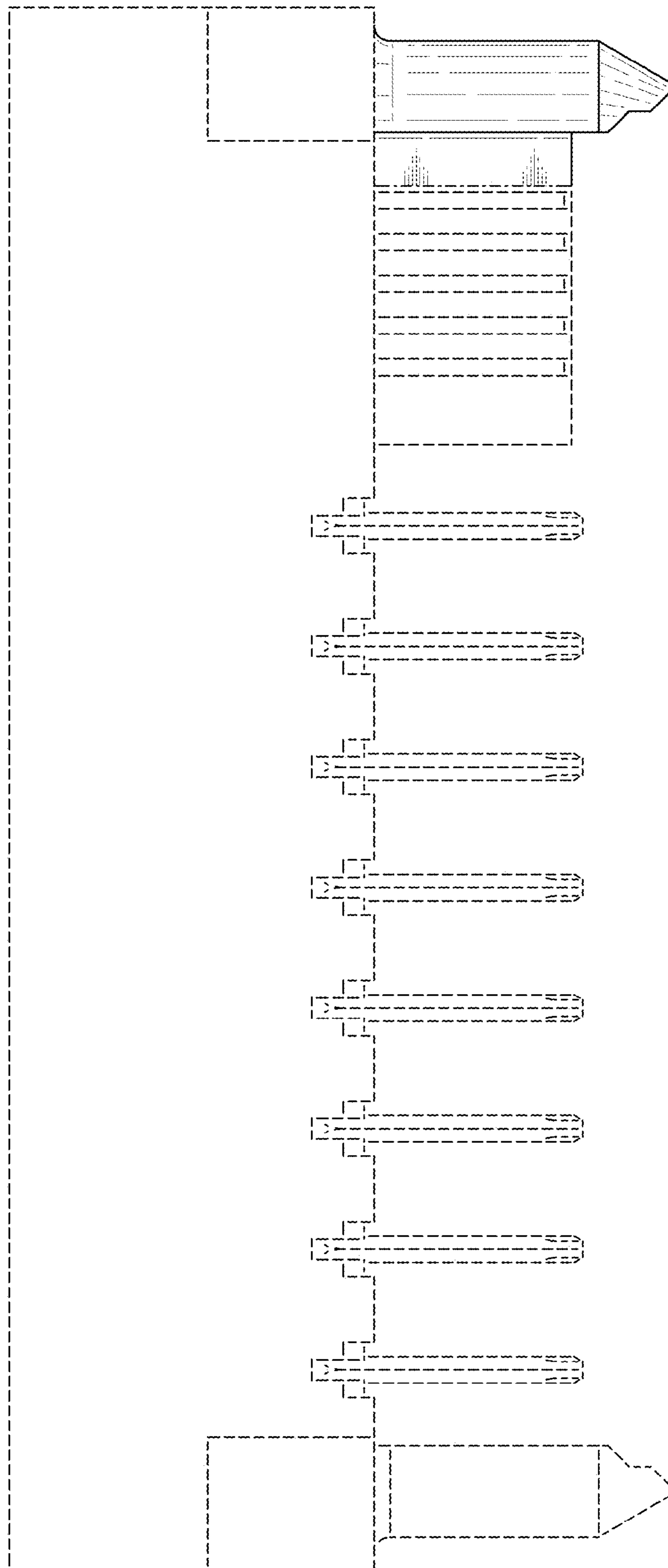


FIG. 7

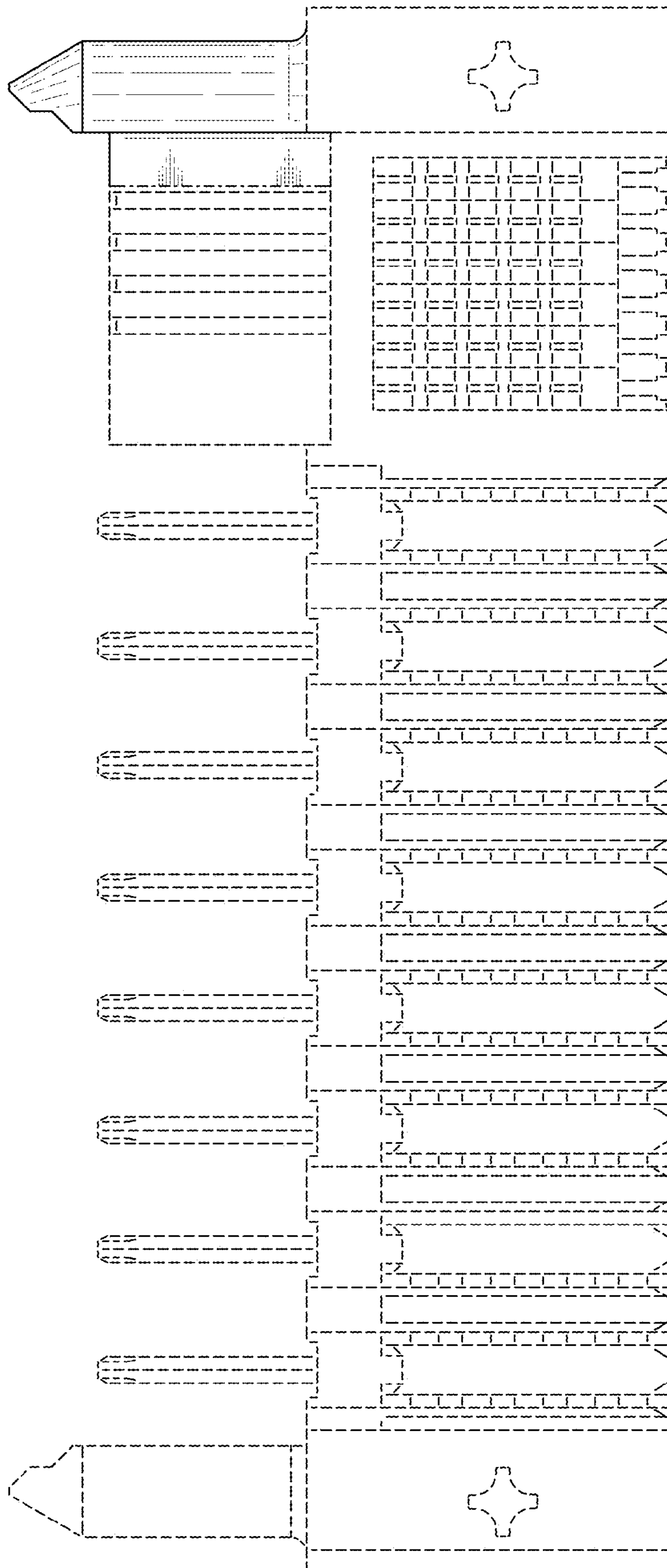


FIG. 8

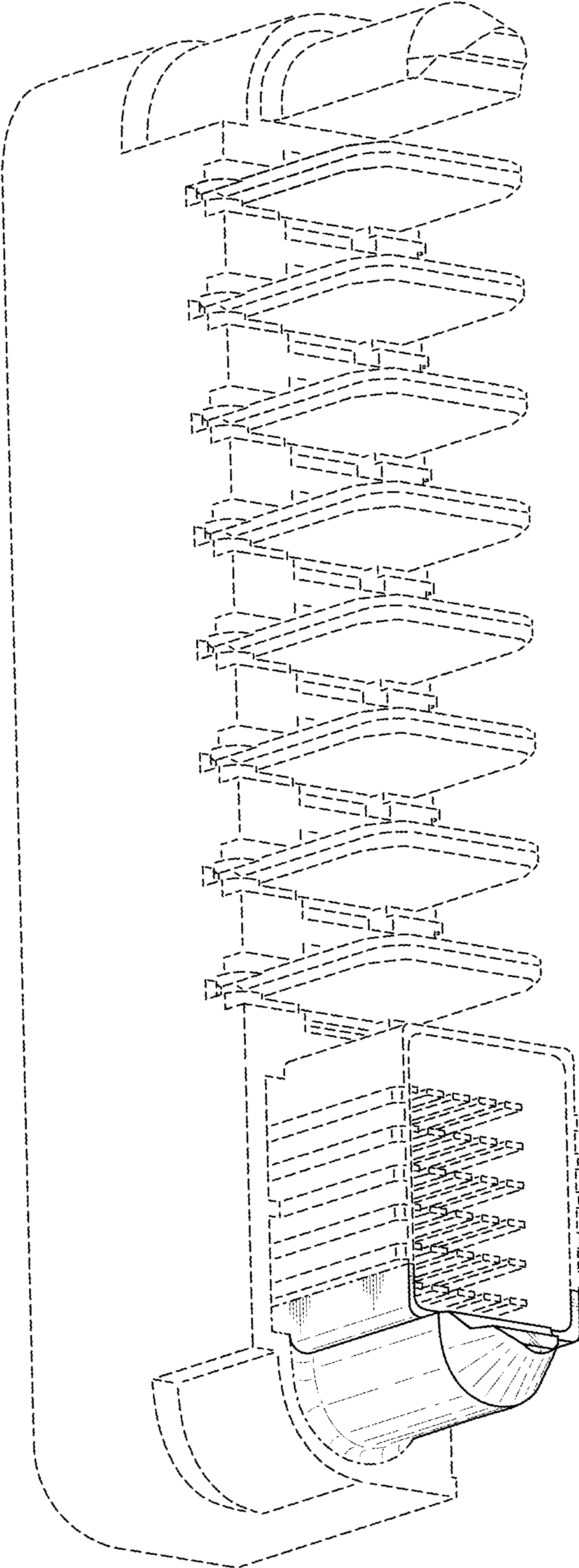


FIG. 9

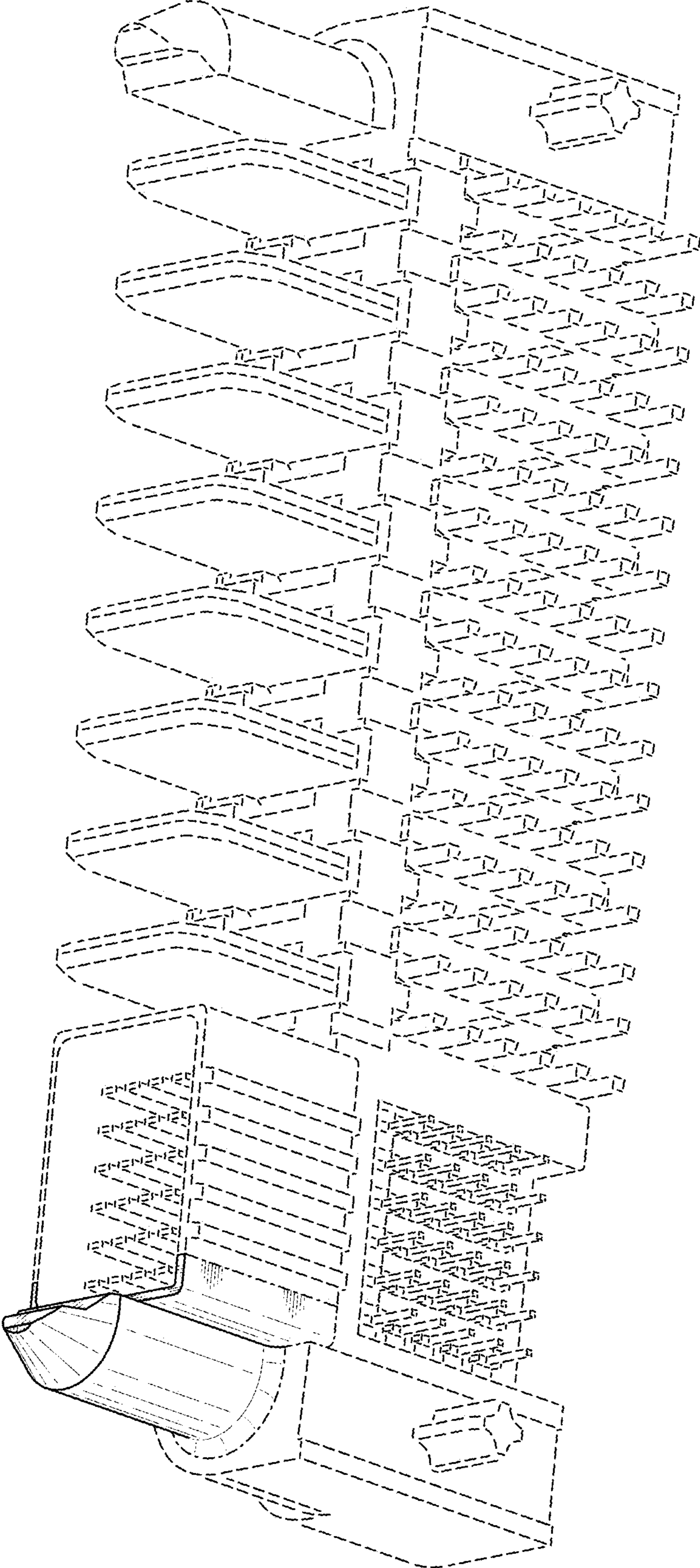


FIG. 10

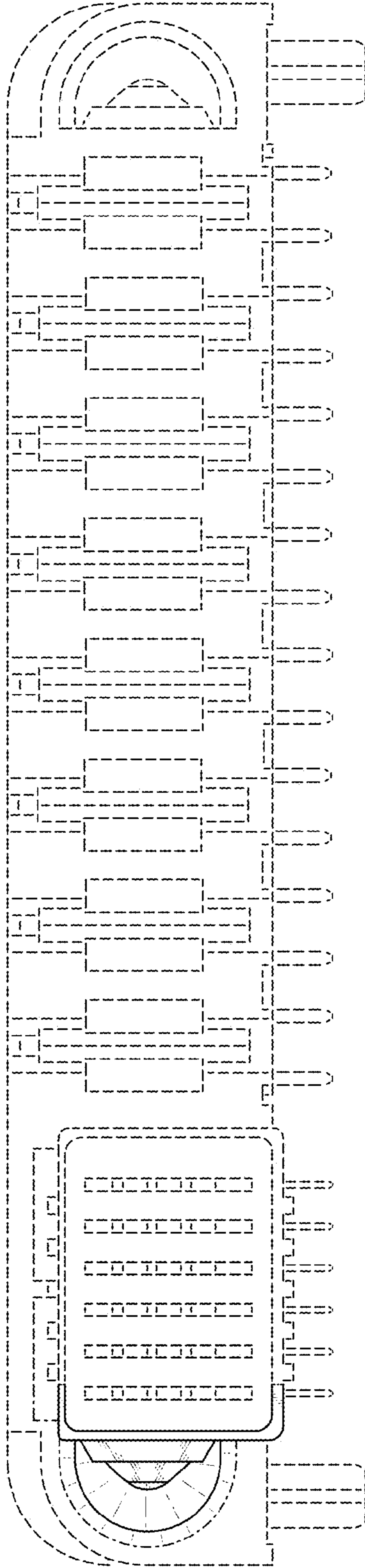


FIG. 11

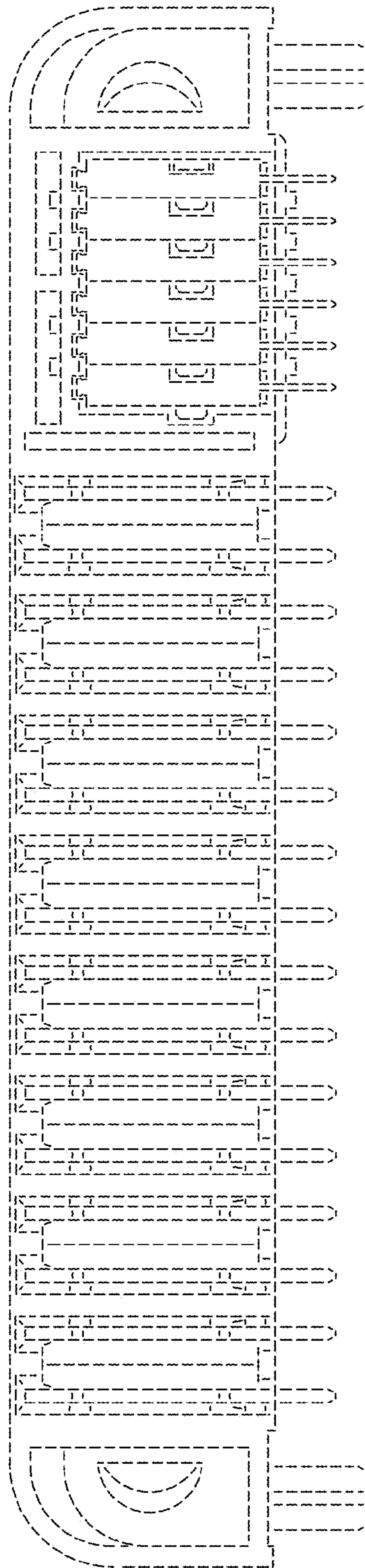


FIG. 12

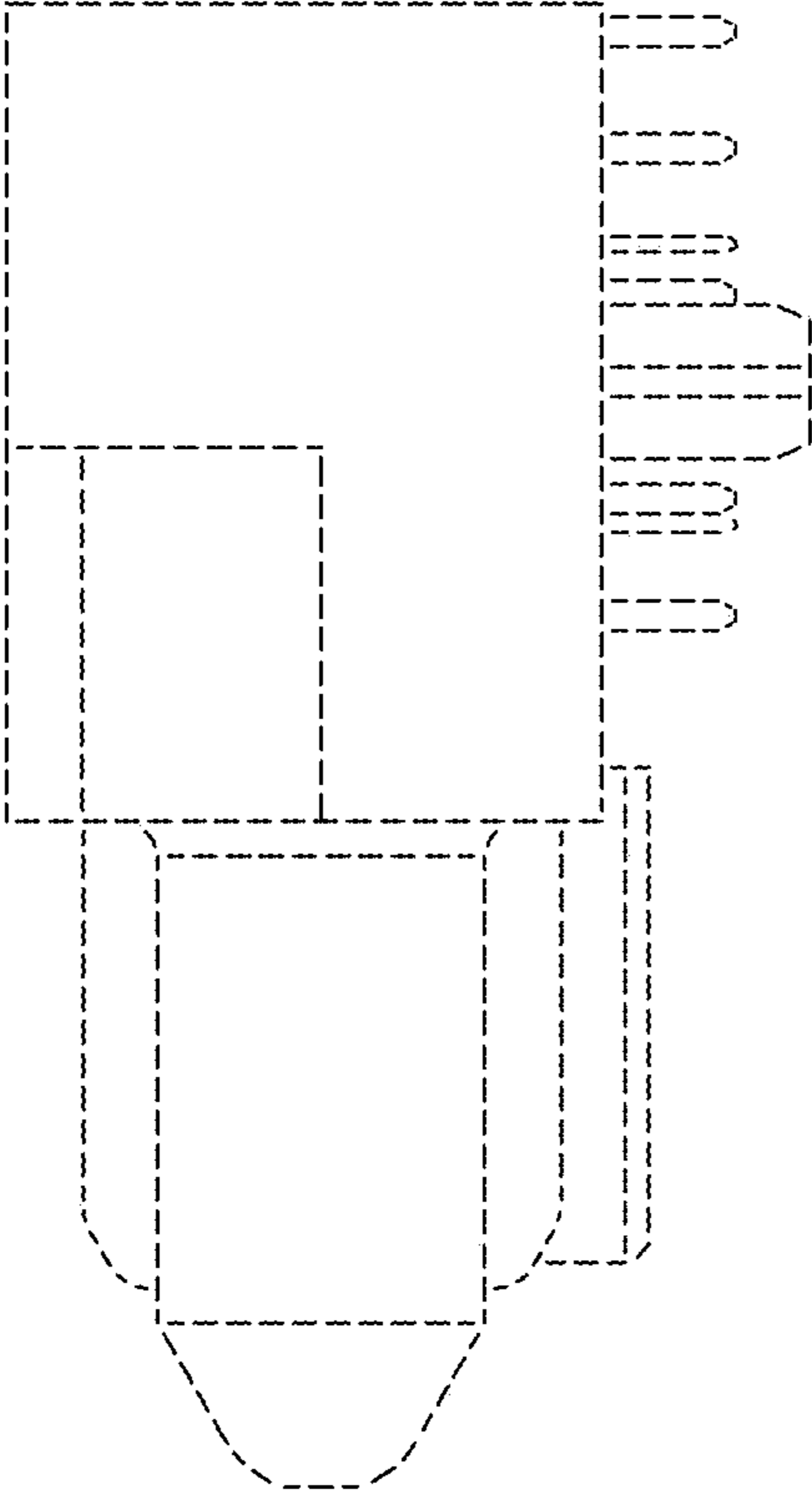


FIG. 13

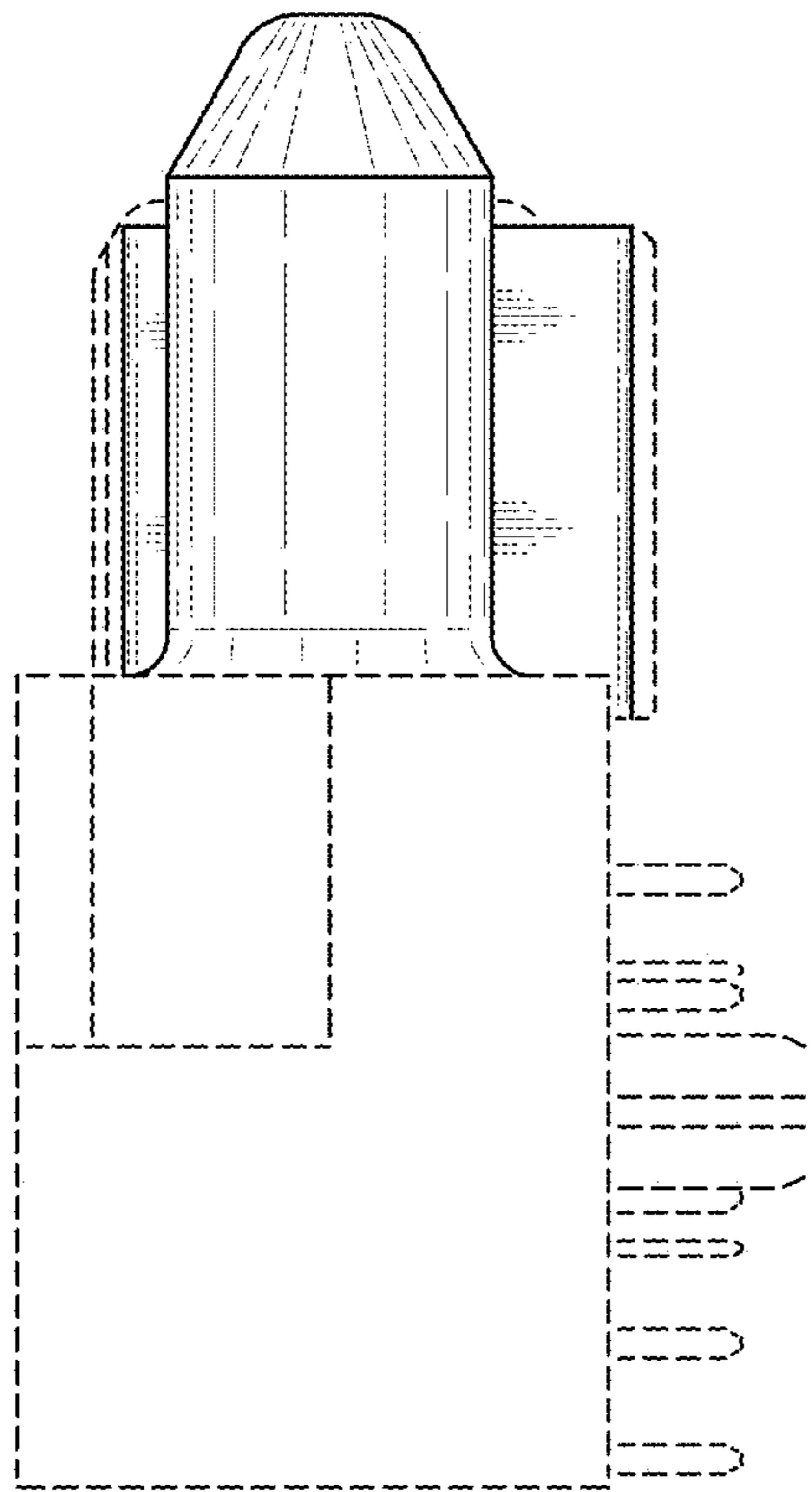


FIG. 14



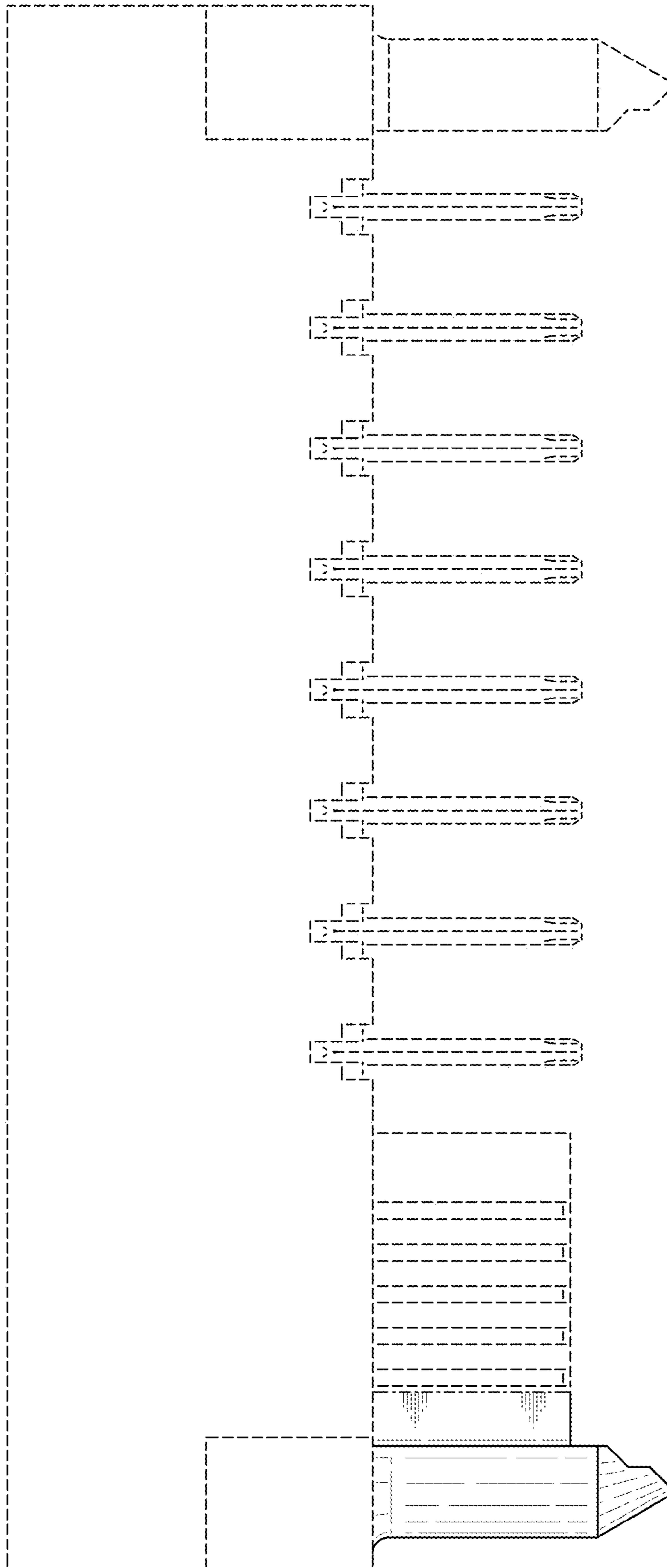


FIG. 15

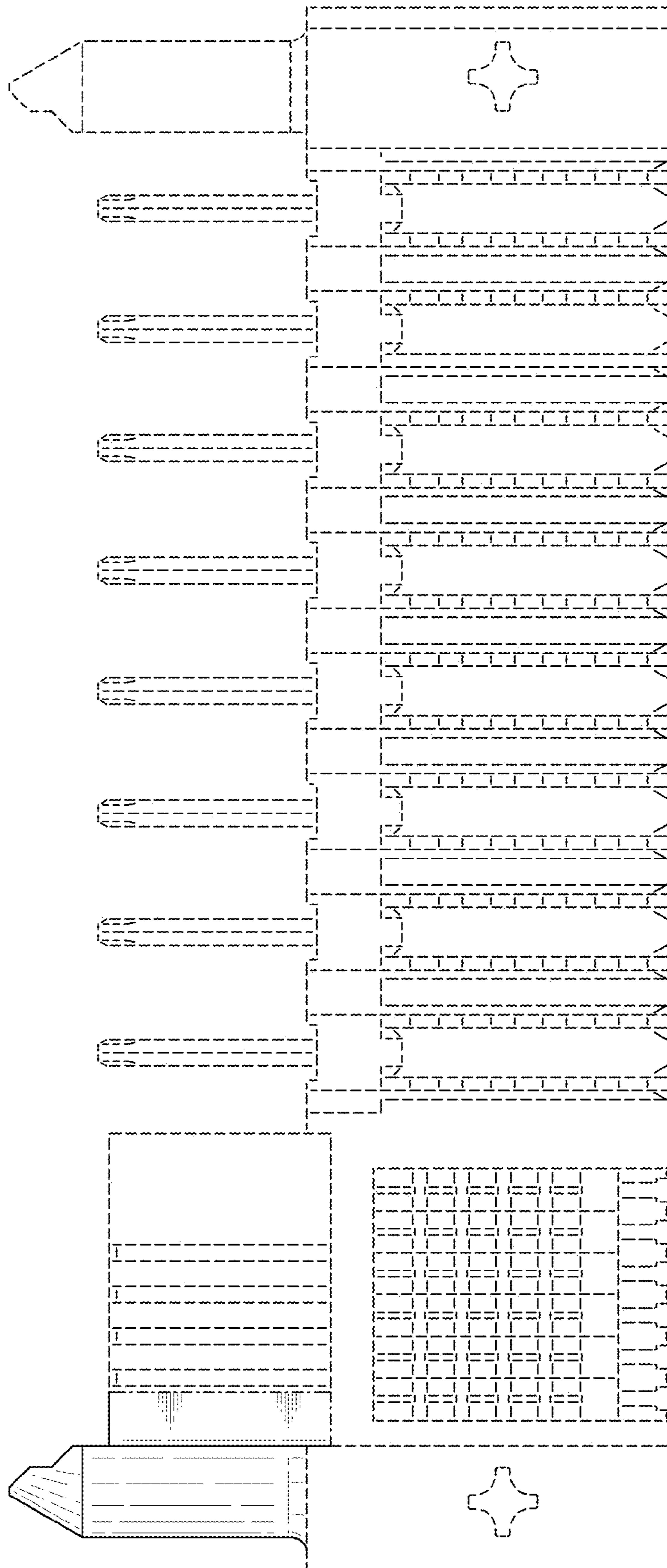


FIG. 16