



US00D951874S

(12) **United States Design Patent**  
**Jiang**

(10) **Patent No.:** **US D951,874 S**

(45) **Date of Patent:** **\*\* May 17, 2022**

(54) **TERMINAL**

(71) Applicant: **Shenzhen Han Hailong science and Technology Co., Ltd., Shenzhen (CN)**

(72) Inventor: **Shengwei Jiang, Suining (CN)**

(\*\*) Term: **15 Years**

(21) Appl. No.: **29/768,408**

(22) Filed: **Jan. 29, 2021**

(51) **LOC (13) Cl.** ..... **13-03**

(52) **U.S. Cl.**

USPC ..... **D13/146**; D13/118; D13/120

(58) **Field of Classification Search**

USPC ..... D4/120, 127; D8/107, 350, 382, 397;  
D13/118, 120, 133, 134, 139.4, 146, 147,  
D13/148, 151, 152, 154, 156, 178, 182,  
D13/199; D14/240, 256, 356; D15/78,  
D15/144, 144.2; D18/35; D21/479, 484,  
D21/495, 499, 501; D23/262, 265;  
D24/129, 185, 231

CPC ..... A63H 33/06; A63H 33/10; H01R 4/36;  
H01R 9/18; F16B 35/005

See application file for complete search history.

(56) **References Cited**

**U.S. PATENT DOCUMENTS**

- D283,635 S \* 4/1986 Kato ..... D21/499
- 5,000,713 A \* 3/1991 Cheng ..... A63H 33/06  
446/128
- 5,190,485 A \* 3/1993 Ransdell ..... H01R 4/36  
439/810
- D346,627 S \* 5/1994 Bach ..... D21/501
- 5,924,906 A \* 7/1999 Grafton ..... A63H 33/10  
446/124
- D422,036 S \* 3/2000 Laserna Fernandez ..... D21/499
- D549,804 S \* 8/2007 Lewis ..... D23/262
- D594,419 S 6/2009 Yoon

- D619,094 S \* 7/2010 Eilertsen ..... D13/120
- D632,763 S \* 2/2011 McCarthy ..... D23/262
- D835,727 S \* 12/2018 Ross ..... D21/495
- D921,127 S \* 6/2021 Kendall ..... D21/499
- D926,944 S \* 8/2021 Marcilese ..... D23/262
- D930,463 S \* 9/2021 Escobedo ..... D8/382

**OTHER PUBLICATIONS**

Alibaba, Date: Not Available, [online], [site visited Mar. 16, 2022]. Available from internet, URL: [https://www.alibaba.com/product-detail/Electrical-Brass-terminal-block-for-wire\\_1600241507329.html?spm=a2700.details.0.0.6aef2a69FHyg7w](https://www.alibaba.com/product-detail/Electrical-Brass-terminal-block-for-wire_1600241507329.html?spm=a2700.details.0.0.6aef2a69FHyg7w) (Year: 2022).\*

Globalsources, Date: Not Available, [online], [site visited Mar. 16, 2022]. Available from internet, URL: <https://wenzhousaijin.manufacturer.globalsources.com/si/6008854918631/Homepage.htm> (Year: 2022).\*

\* cited by examiner

*Primary Examiner* — Shawn T Gingrich  
*Assistant Examiner* — Bryan N. Melvin

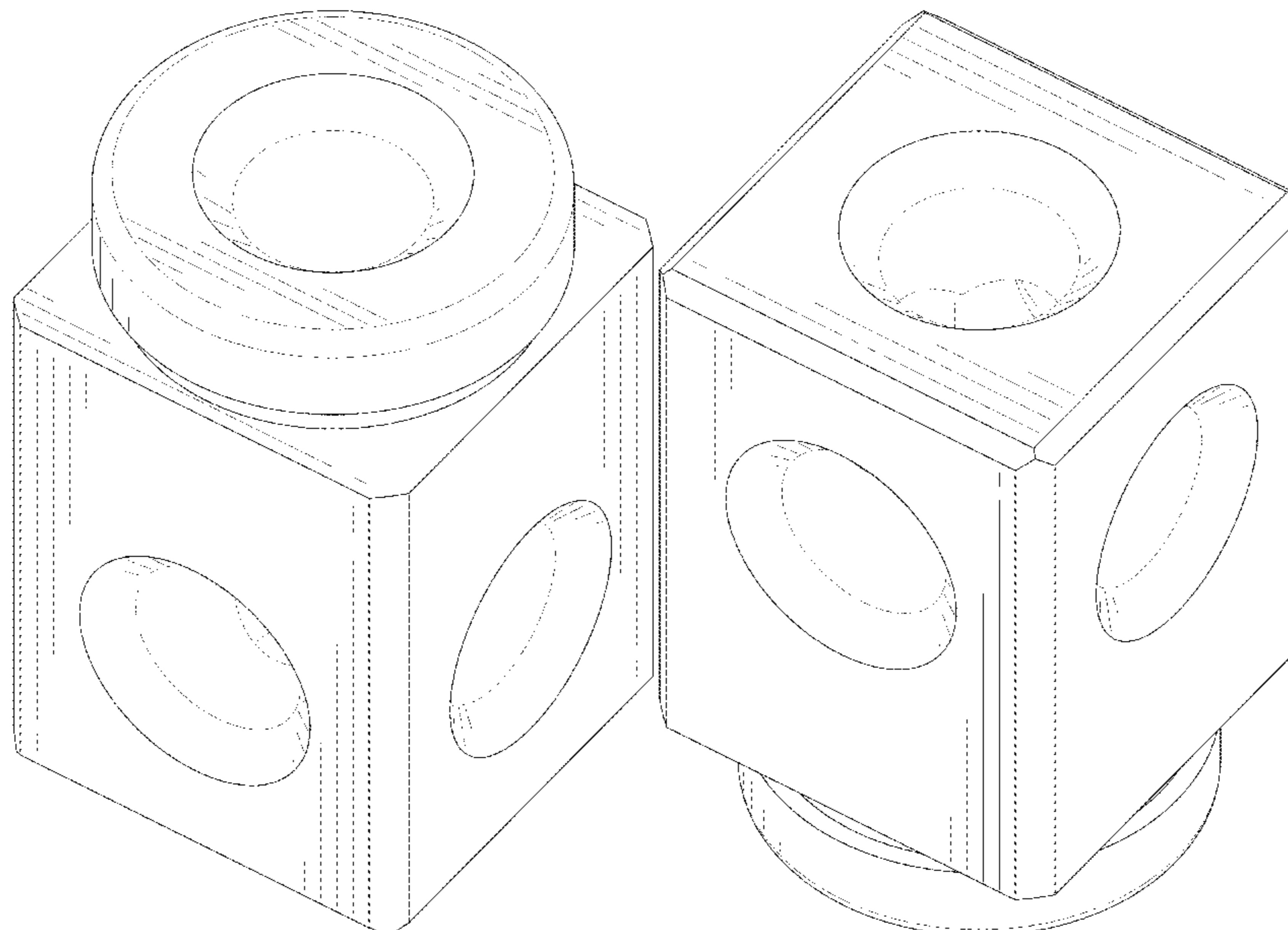
(57) **CLAIM**

The ornamental design for a terminal, as shown and described.

**DESCRIPTION**

FIG. 1 is a front and top perspective view of a terminal, showing my new design;  
FIG. 2 is a rear and bottom perspective view thereof;  
FIG. 3 is a front elevation view thereof;  
FIG. 4 is a rear elevation view thereof;  
FIG. 5 is a left side elevation view thereof;  
FIG. 6 is a right side elevation view thereof;  
FIG. 7 is a top plan view thereof; and,  
FIG. 8 is a bottom plan view thereof.  
The broken lines in the figures illustrate portions of the article that form no part of the claimed design.

**1 Claim, 8 Drawing Sheets**



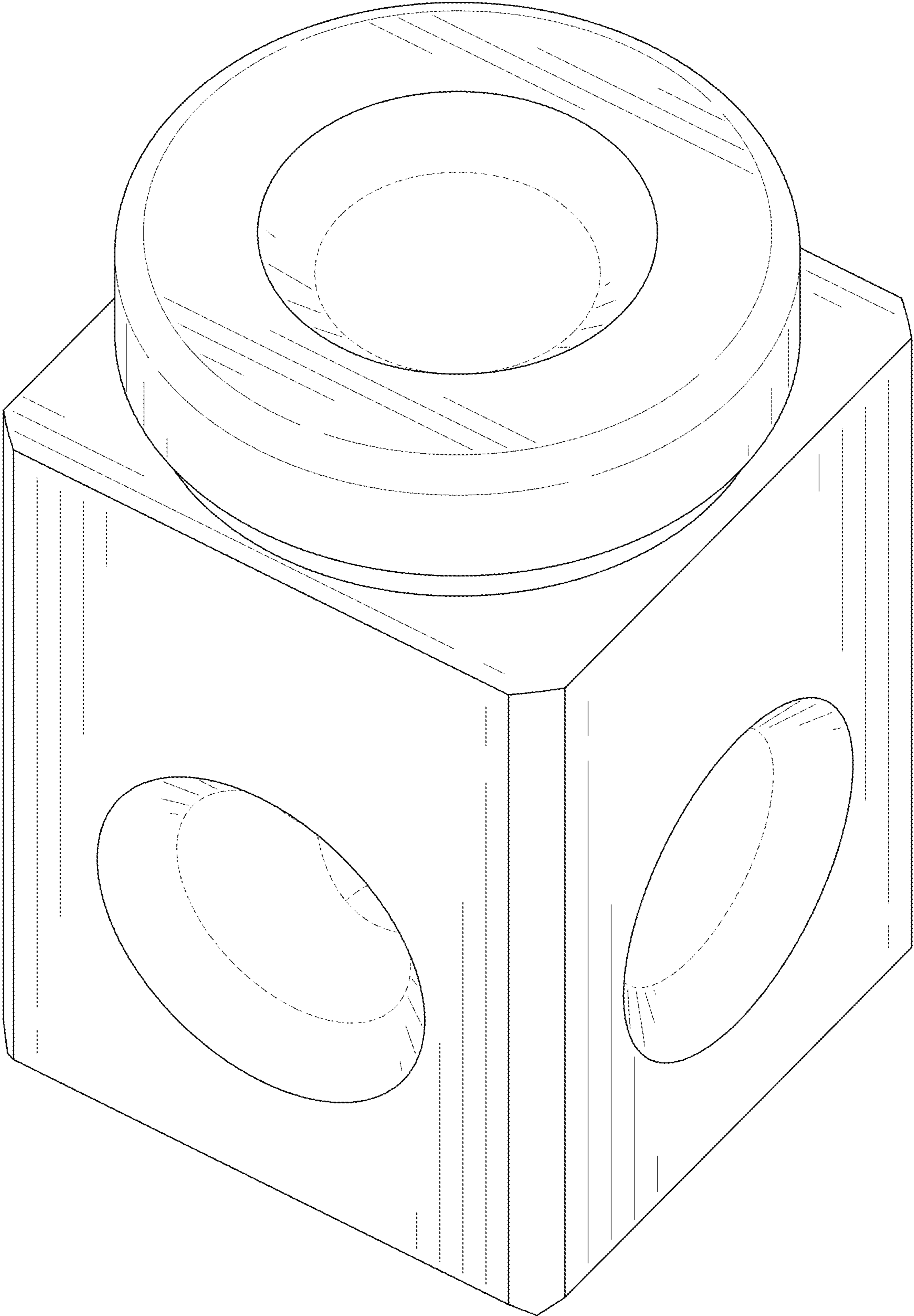


FIG. 1

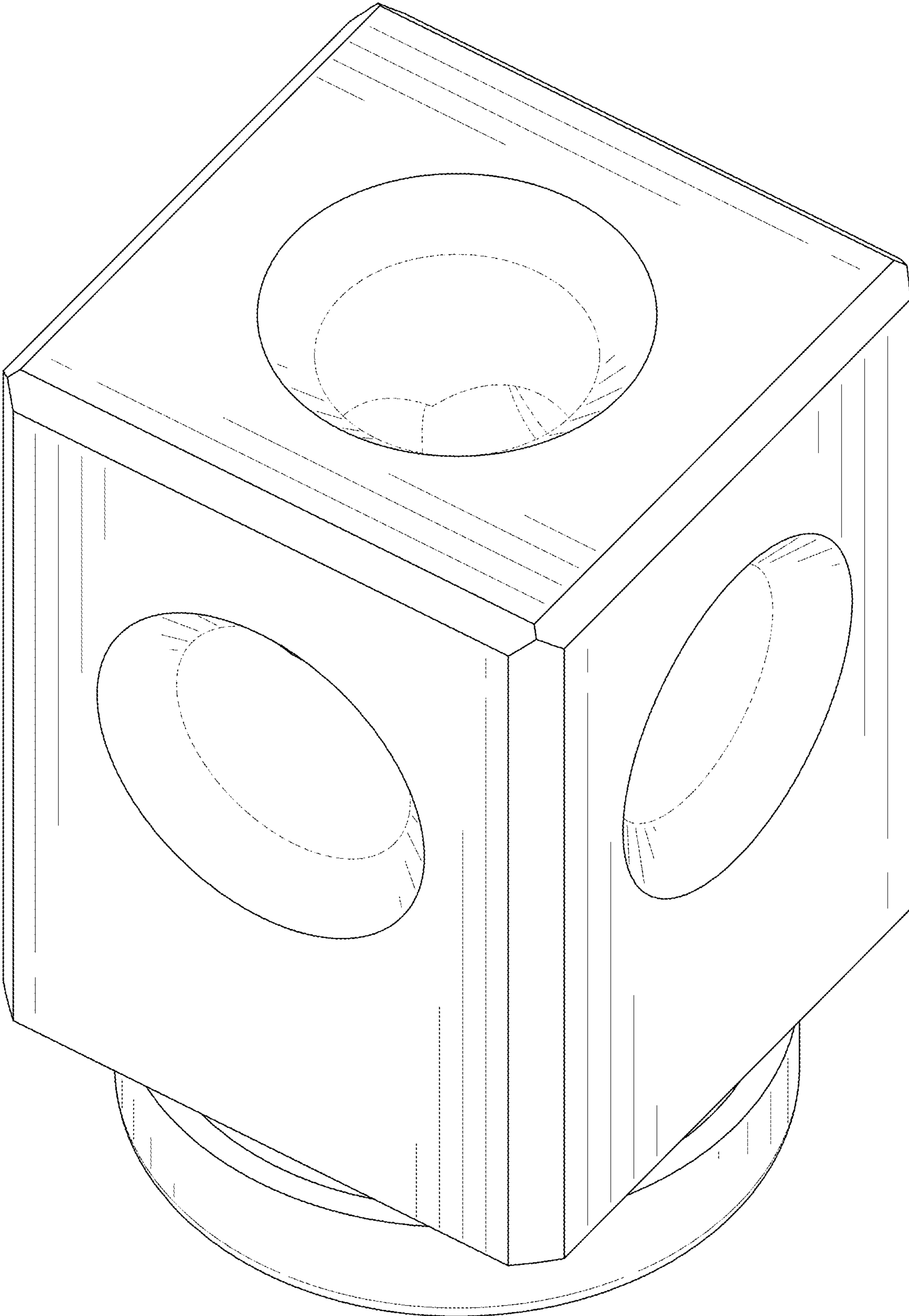


FIG. 2

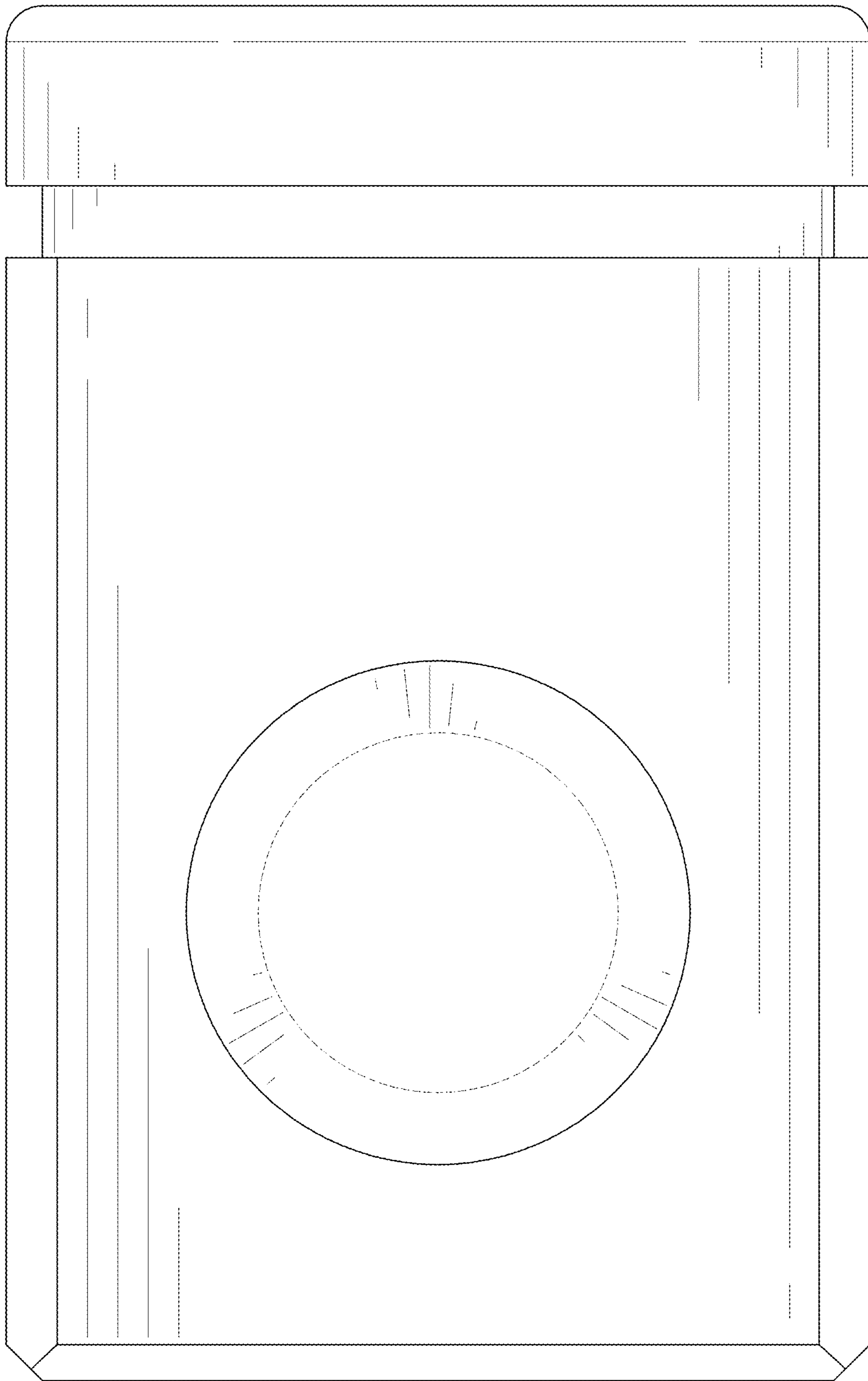


FIG. 3

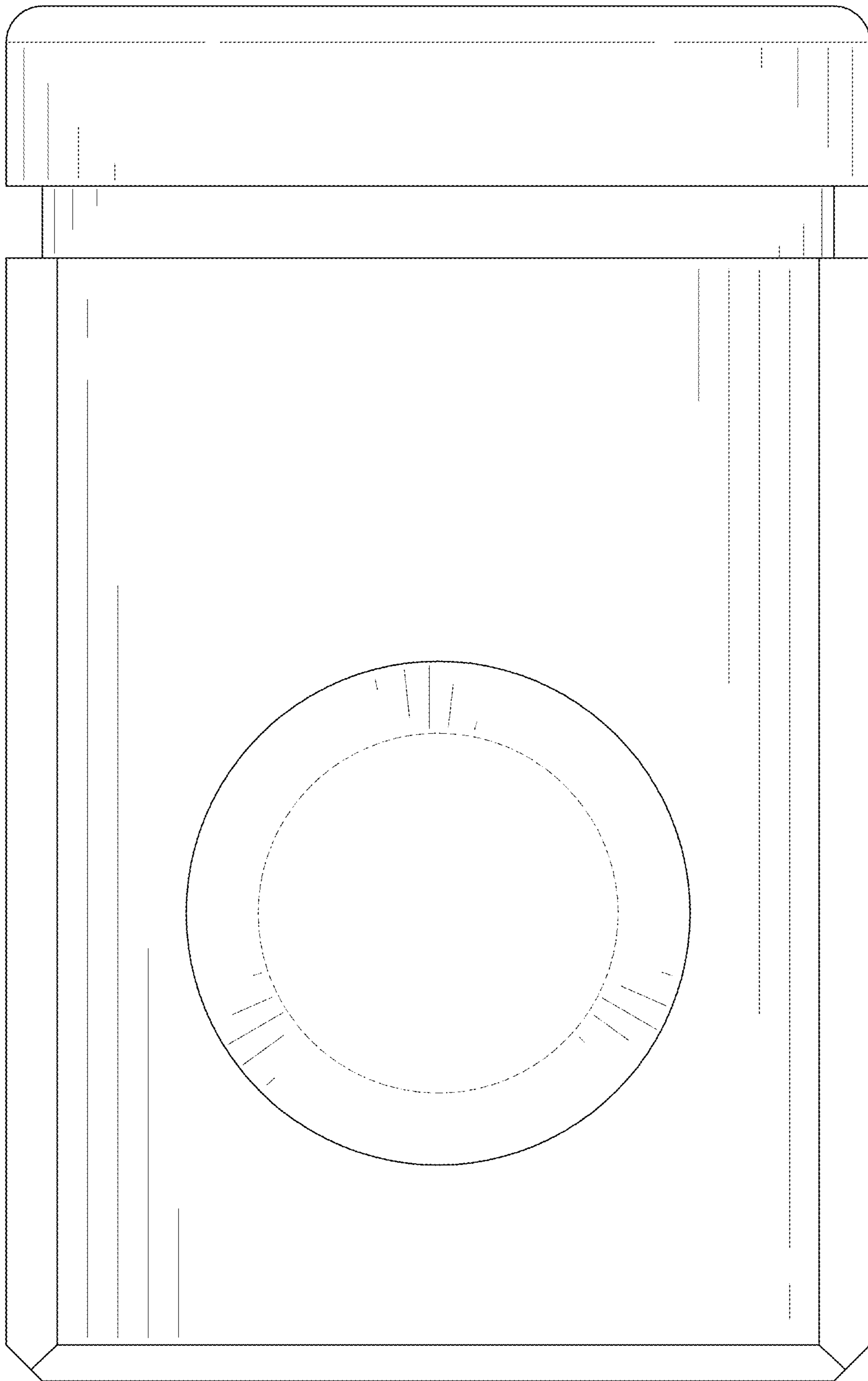


FIG. 4

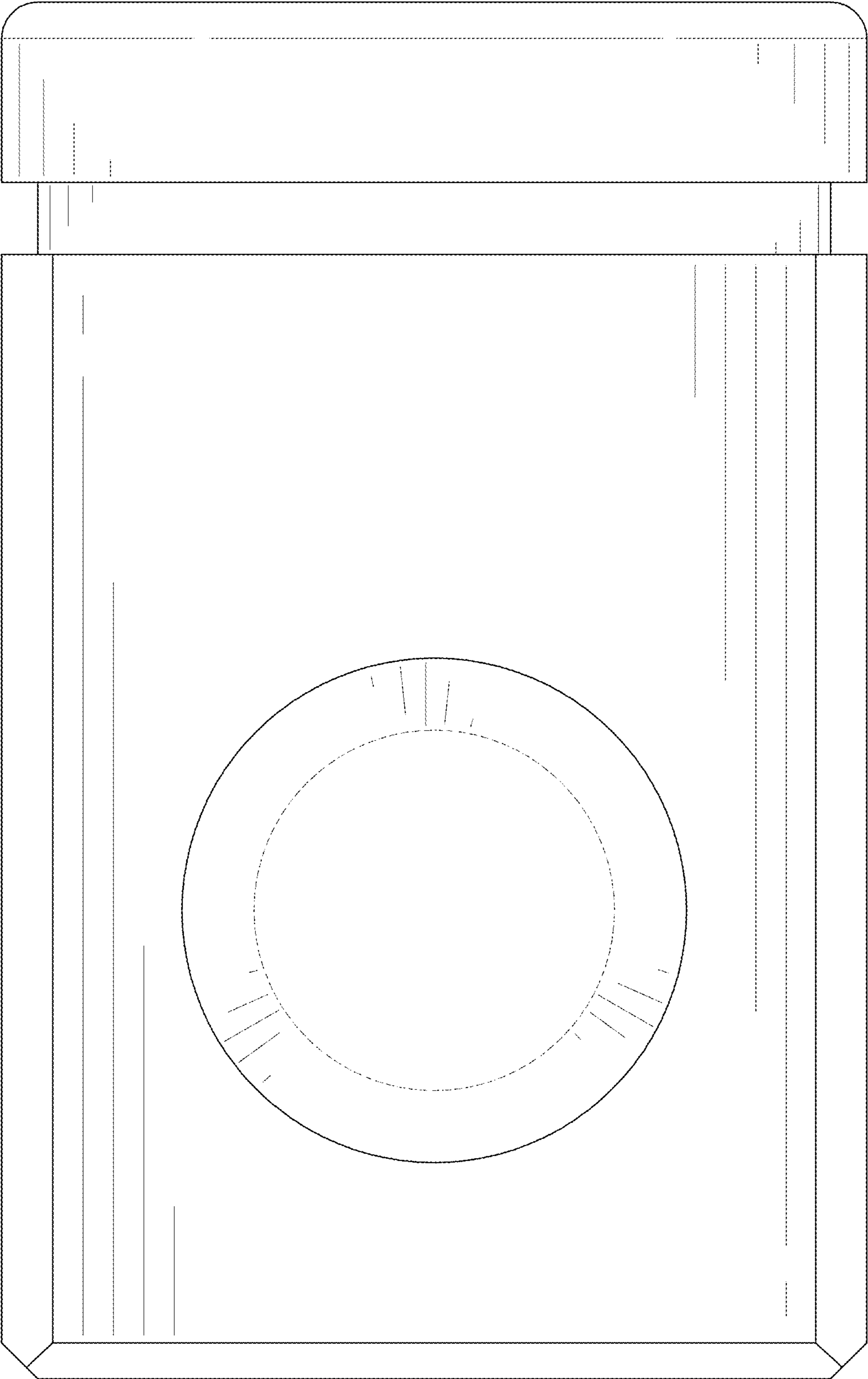


FIG. 5

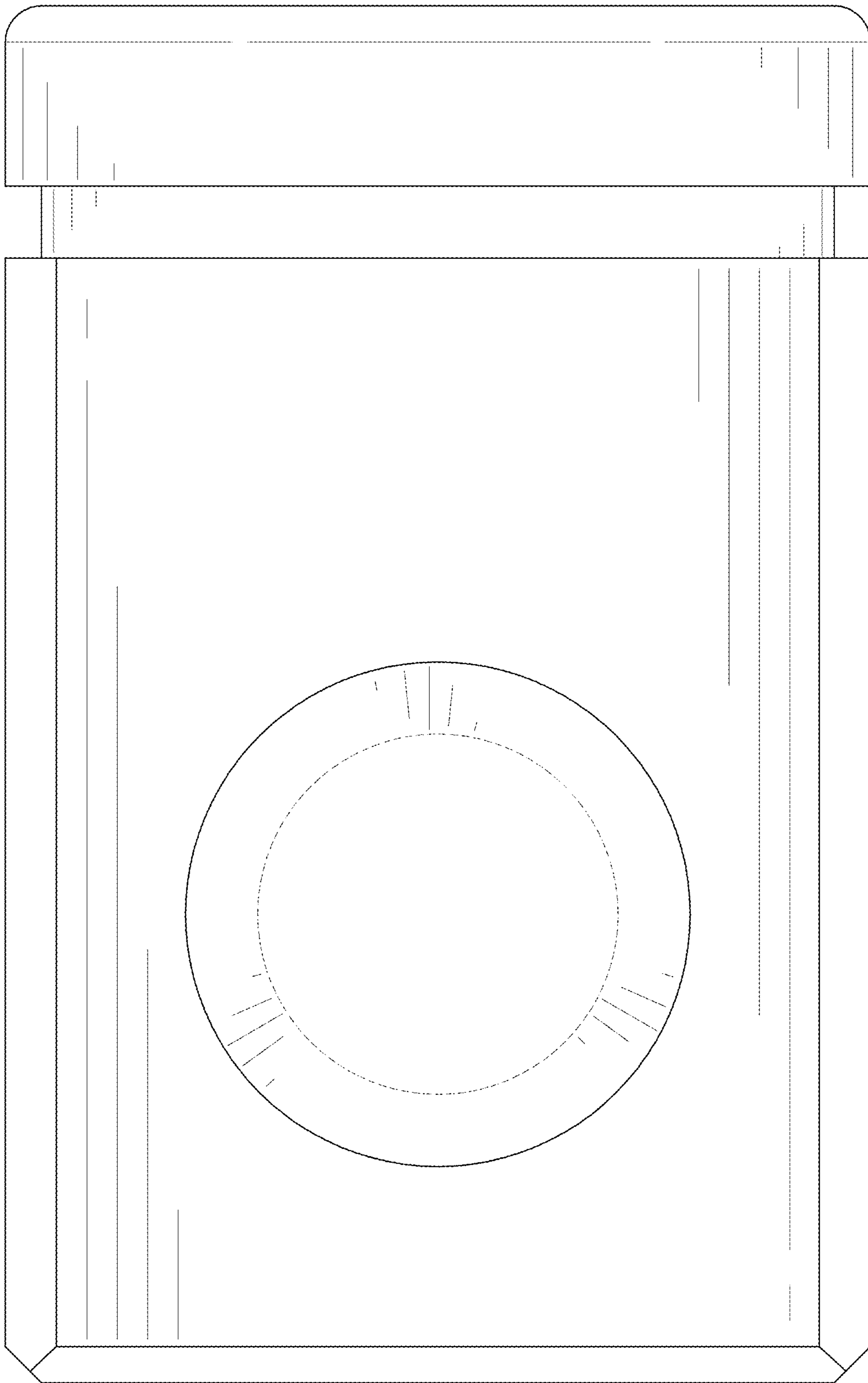


FIG. 6

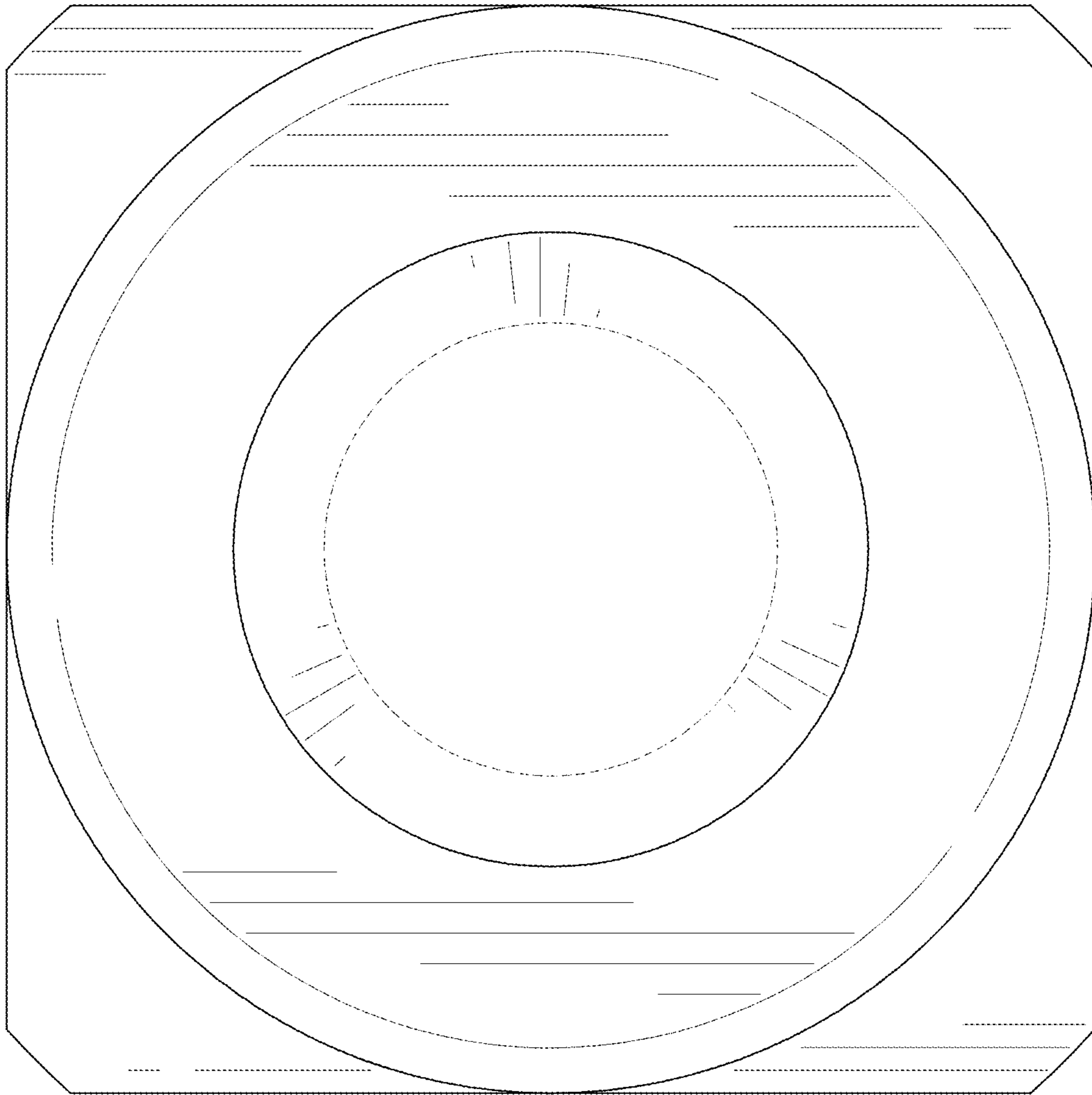


FIG. 7



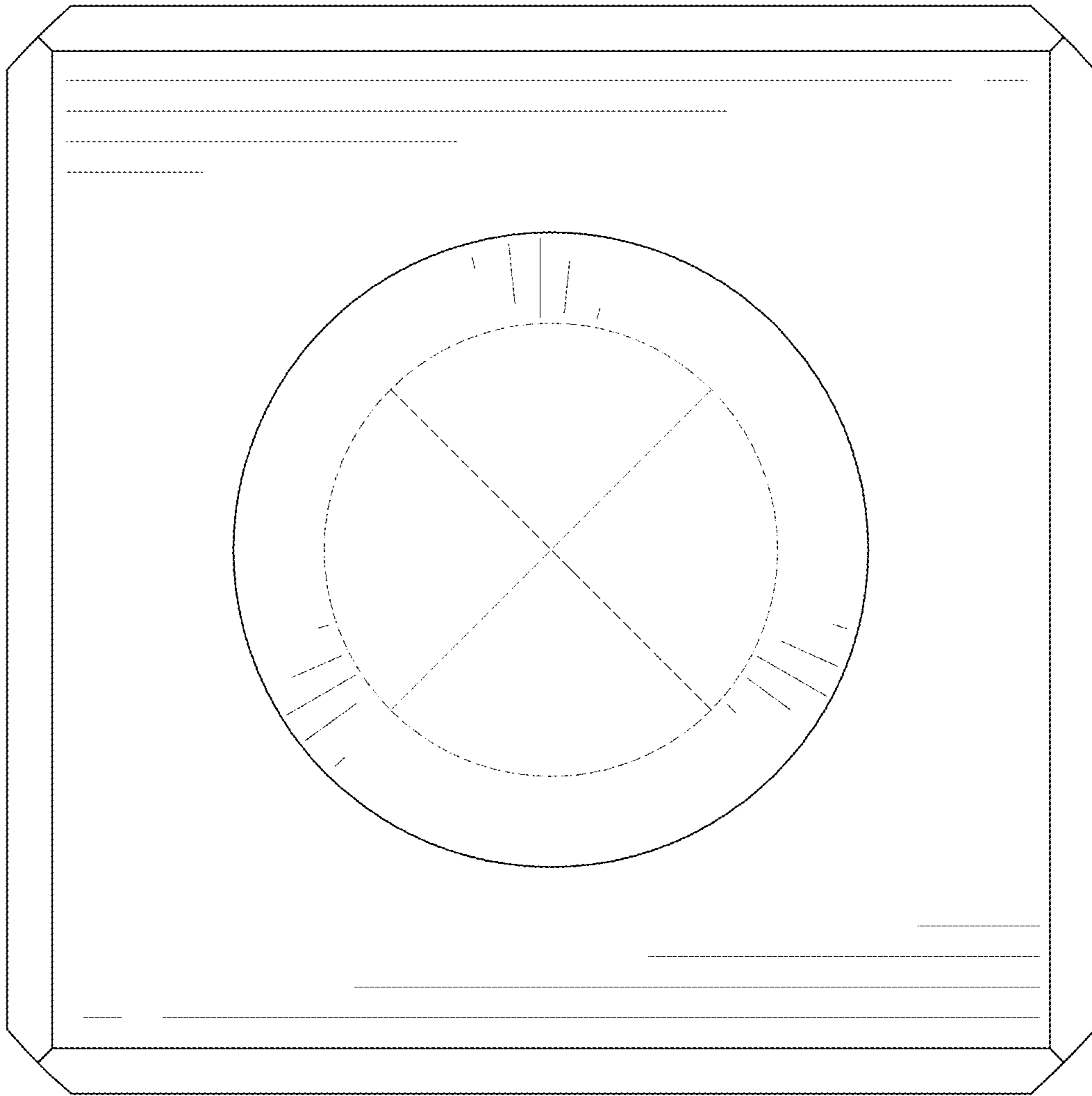


FIG. 8