

US00D951873S

(12) **United States Design Patent** (10) **Patent No.:** **US D951,873 S**  
**Ning** (45) **Date of Patent:** **\*\* May 17, 2022**

(54) **CAR CHARGER**

(71) Applicant: **Jing Ning**, Shenzhen (CN)

(72) Inventor: **Jing Ning**, Shenzhen (CN)

(\*\*) Term: **15 Years**

(21) Appl. No.: **29/747,485**

(22) Filed: **Aug. 24, 2020**

(51) **LOC (13) Cl.** ..... **13-03**

(52) **U.S. Cl.**  
USPC ..... **D13/144**

(58) **Field of Classification Search**  
USPC ..... D13/144, 108, 110, 107, 103; D12/114;  
D14/155, 252; D27/141  
CPC ..... H02J 7/342; H01R 2201/26  
See application file for complete search history.

(56) **References Cited**

**U.S. PATENT DOCUMENTS**

D303,954 S \* 10/1989 Michels ..... D14/260  
D409,568 S \* 5/1999 Lindahl ..... D13/107  
D655,247 S \* 3/2012 Fitch ..... D13/144  
D691,955 S \* 10/2013 Lee ..... D13/144

D711,829 S \* 8/2014 Liu ..... D13/144  
D913,949 S \* 3/2021 Kim ..... D13/144  
2009/0309542 A1\* 12/2009 Hung ..... H01R 31/065  
320/111

\* cited by examiner

*Primary Examiner* — Jennifer O King

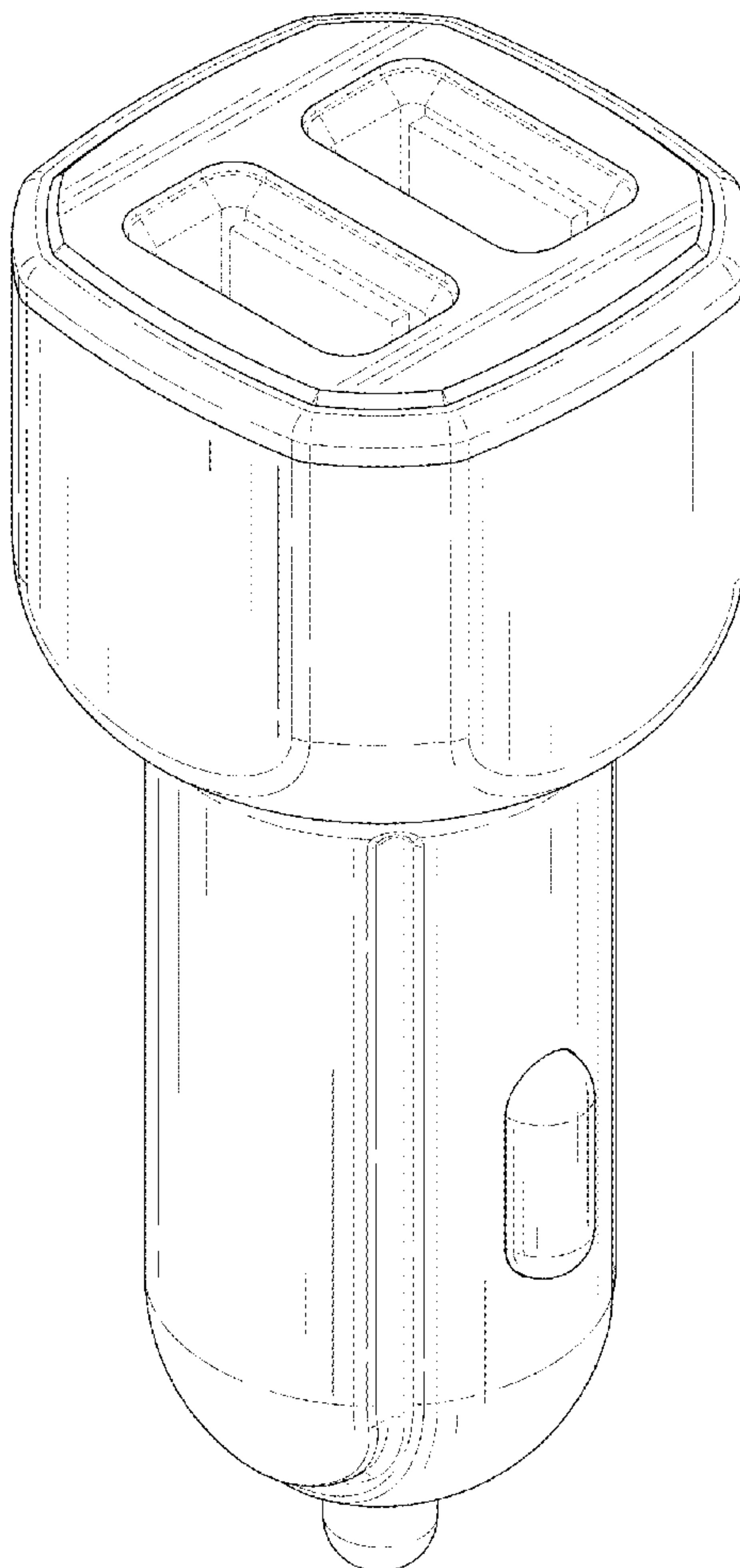
(57) **CLAIM**

The ornamental design for a car charger, as shown and described.

**DESCRIPTION**

FIG. 1 is a front and top perspective view of a car charger, showing my new design;  
FIG. 2 is a rear and bottom perspective view thereof;  
FIG. 3 is a front elevational view thereof;  
FIG. 4 is a rear elevational view thereof;  
FIG. 5 is a left side elevational view thereof;  
FIG. 6 is a right side elevational view thereof;  
FIG. 7 is a top plan view thereof; and,  
FIG. 8 is a bottom plan view thereof.  
The broken lines in the figures illustrate portions of the car charger that form no part of the claimed design.

**1 Claim, 8 Drawing Sheets**



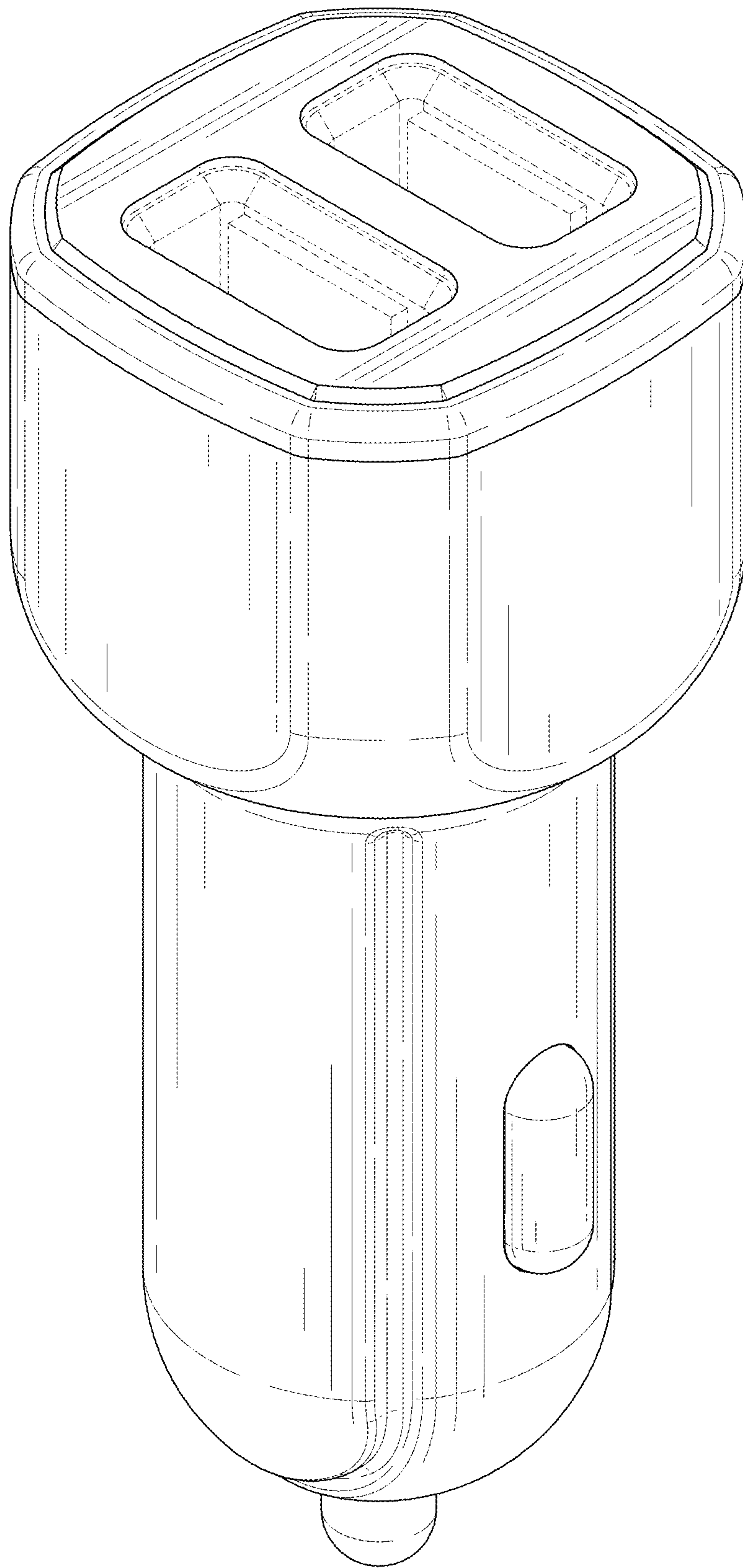


FIG. 1

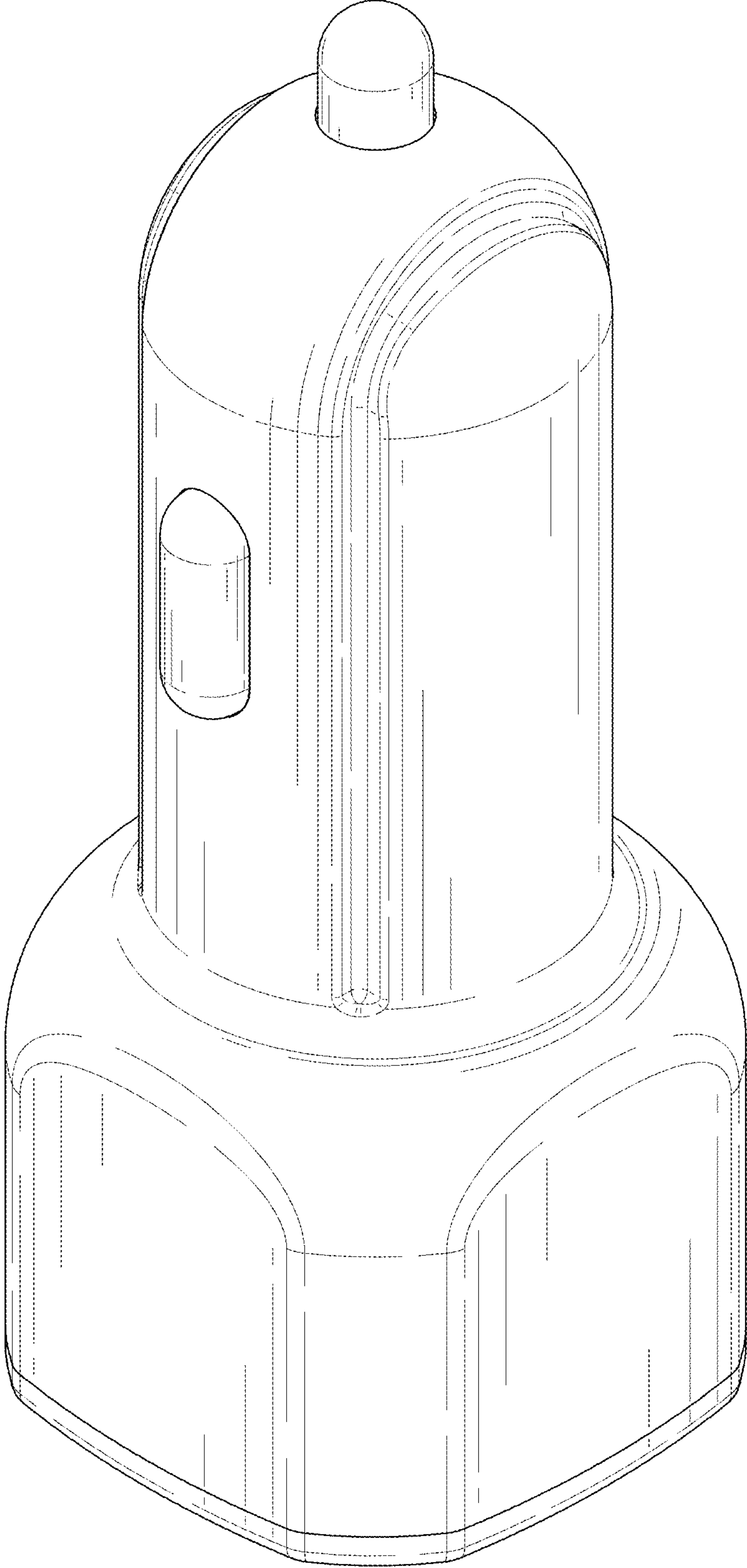


FIG. 2

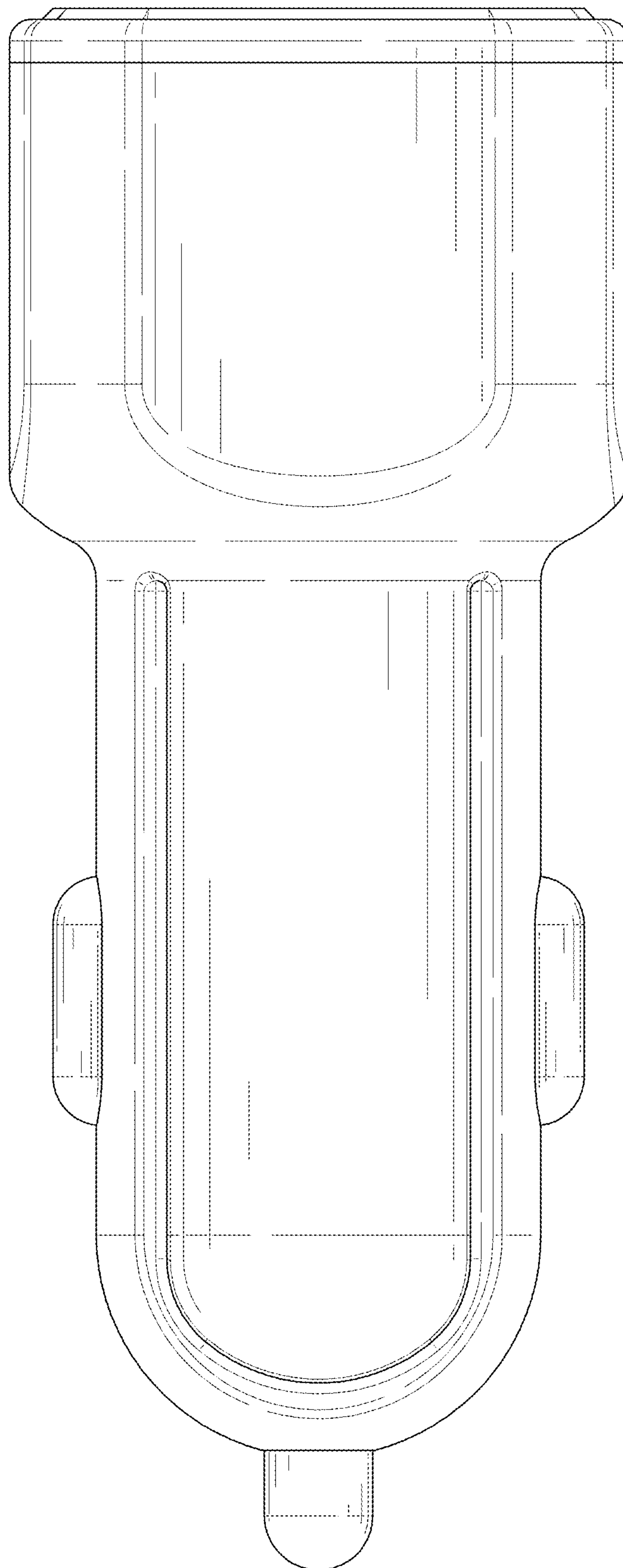


FIG. 3

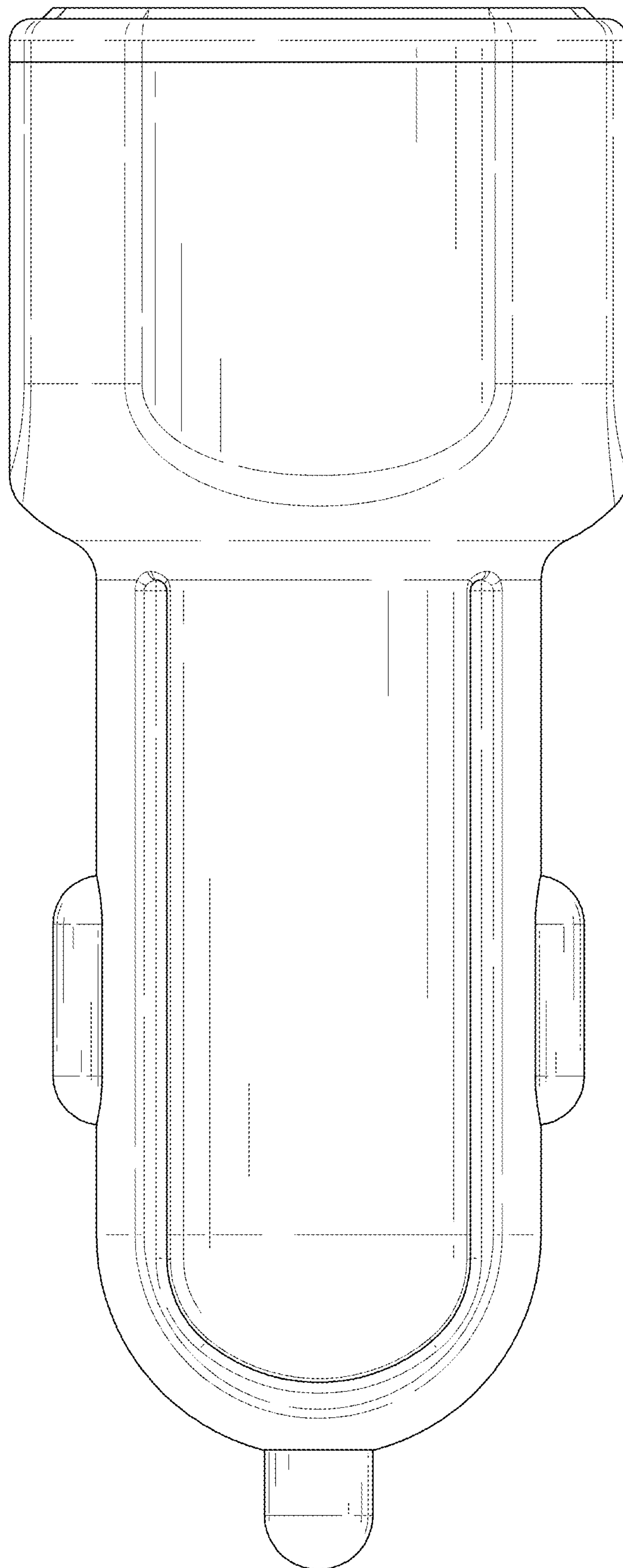


FIG. 4



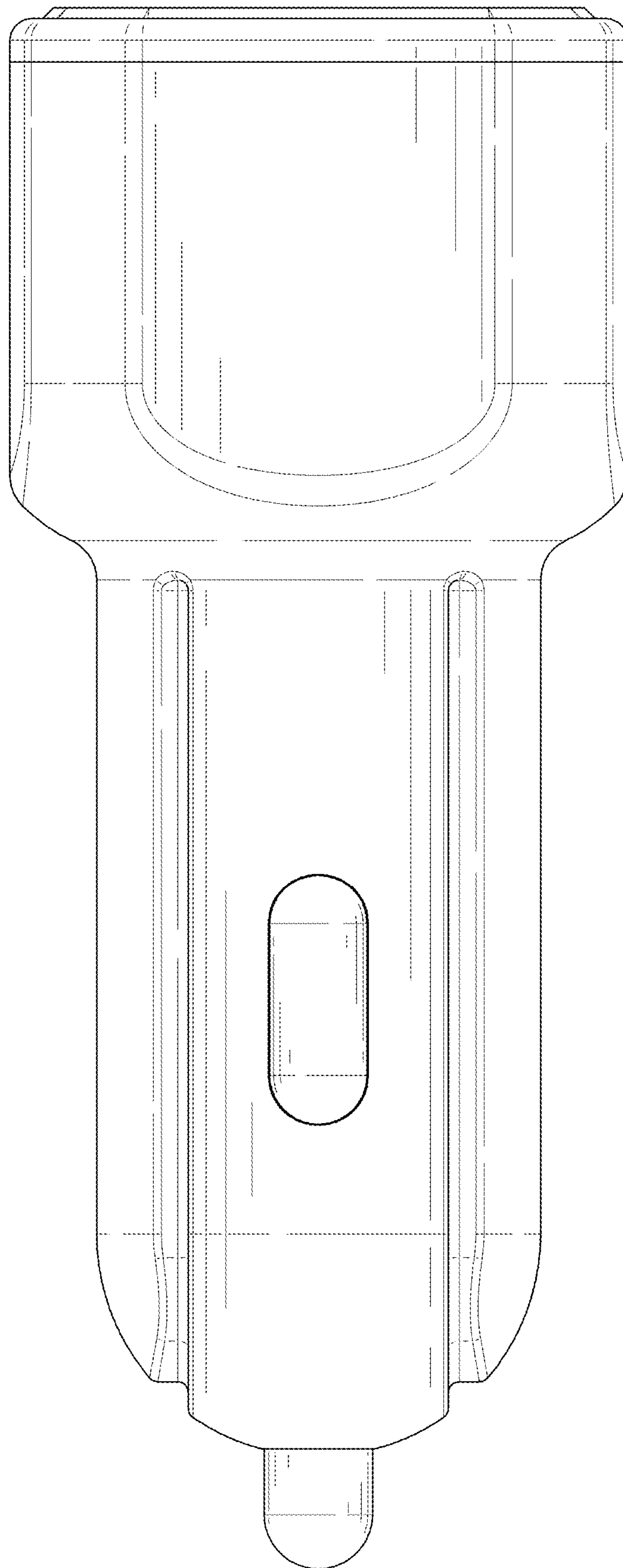


FIG. 5

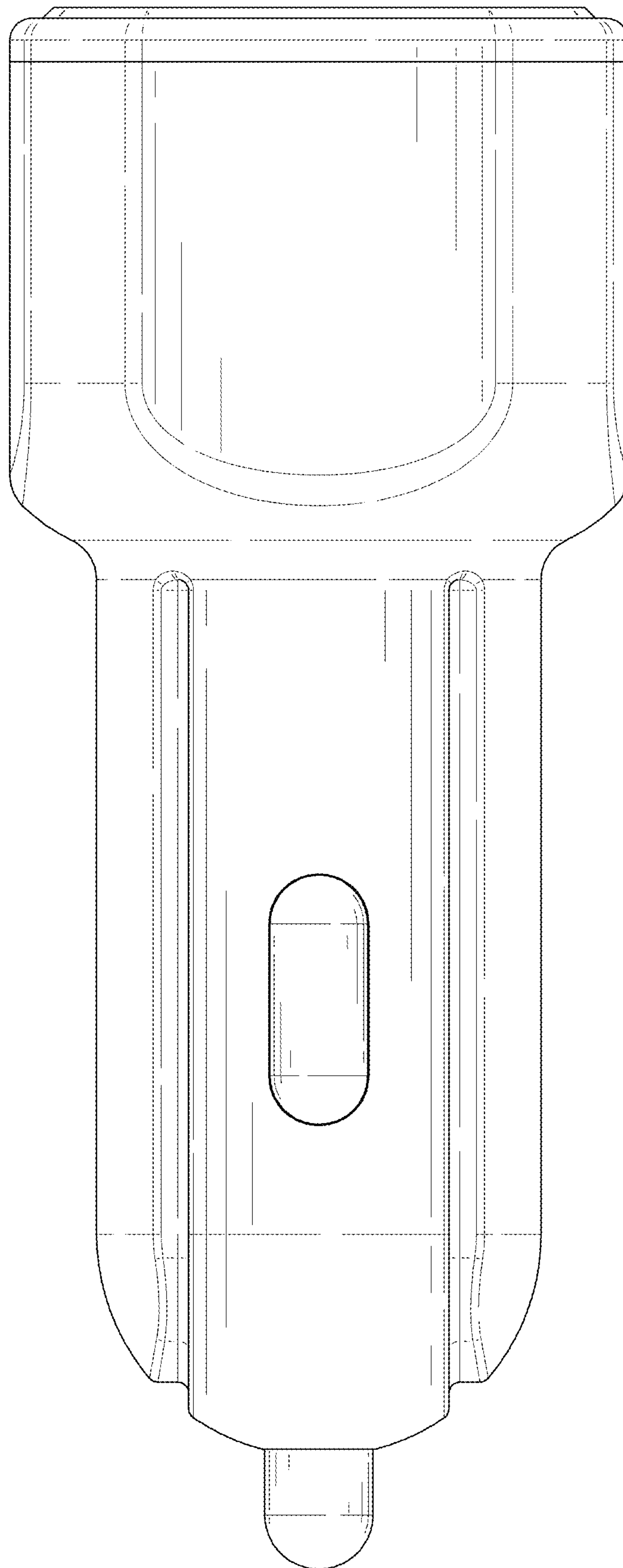


FIG. 6

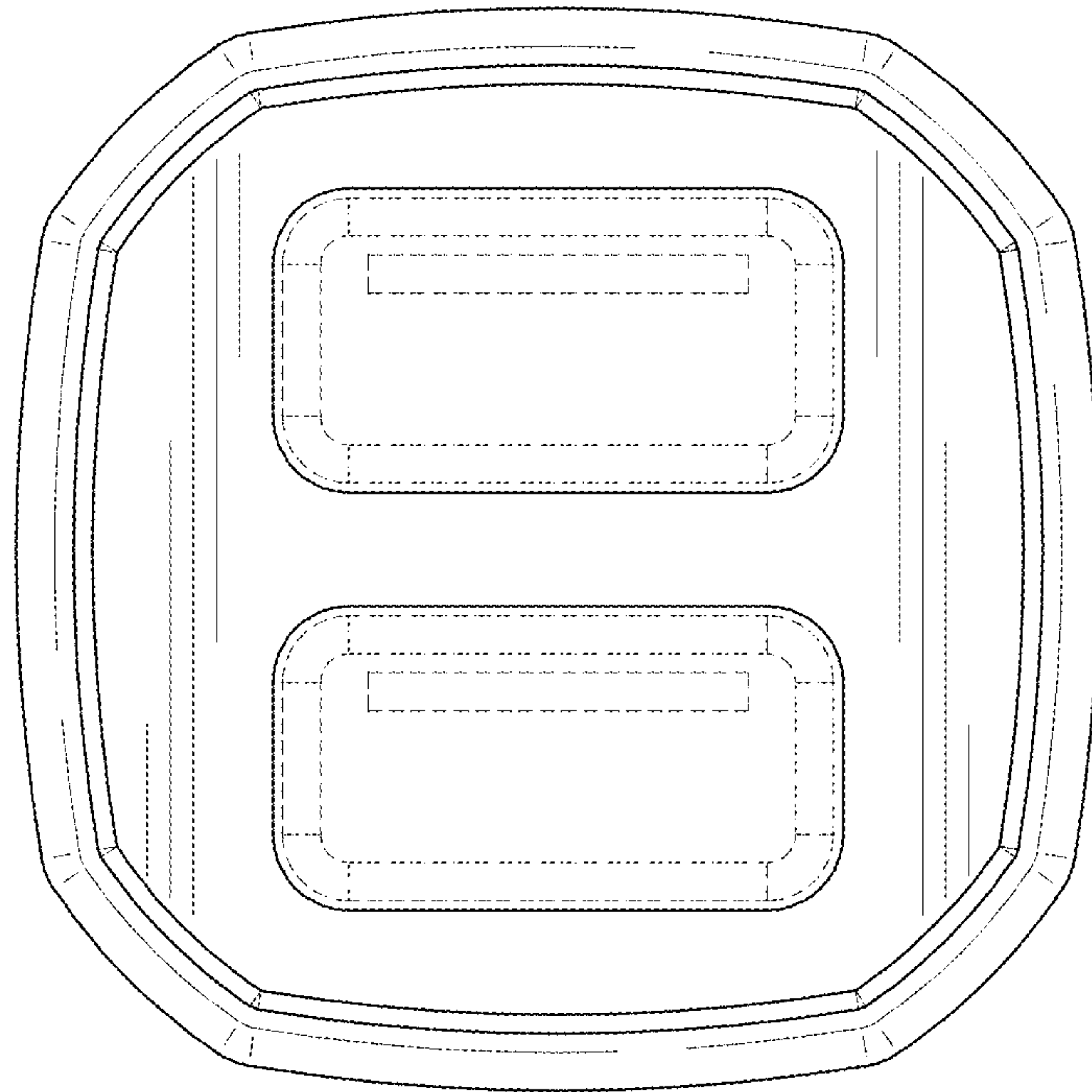


FIG. 7



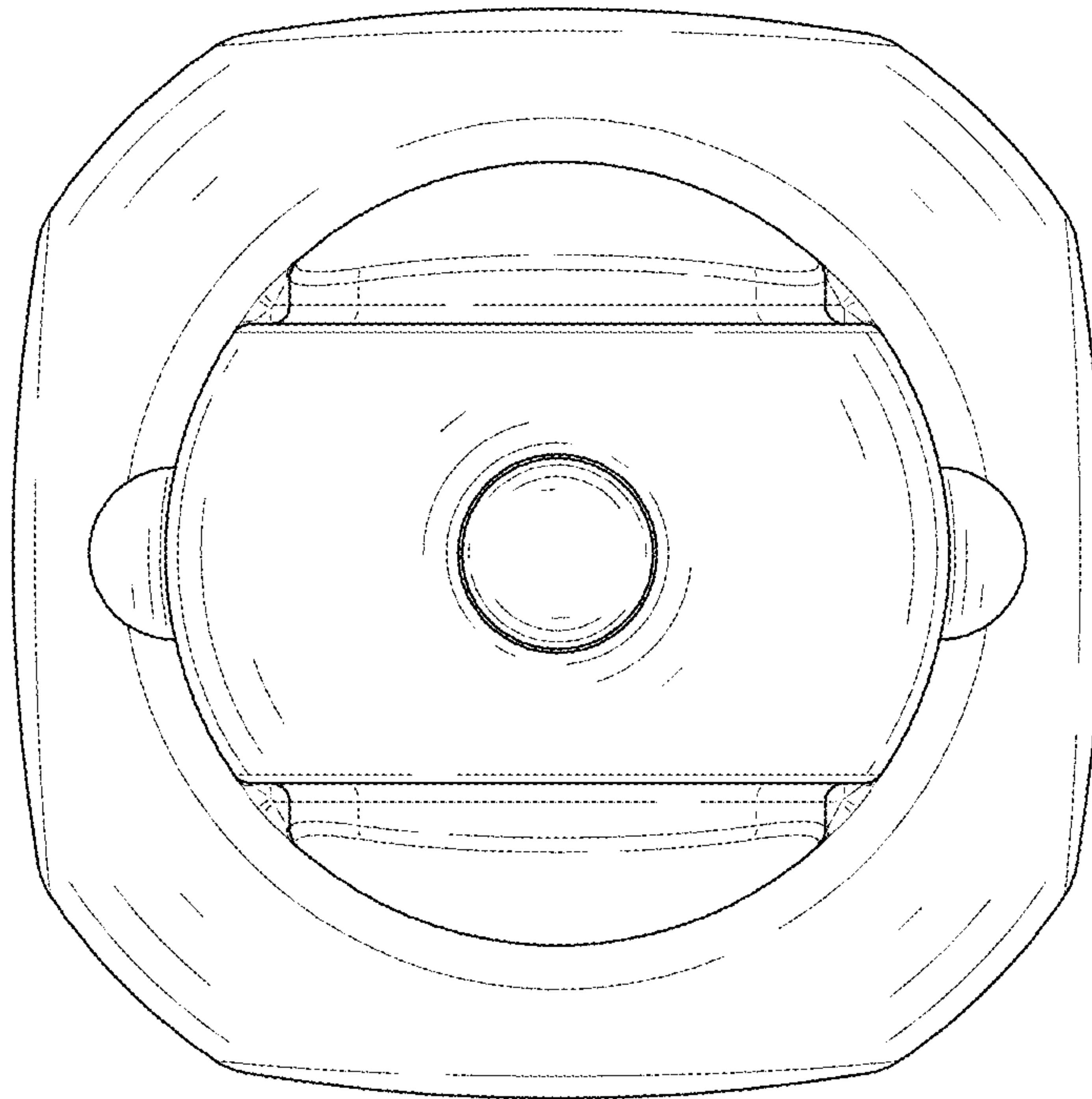


FIG. 8