



US00D951872S

(12) **United States Design Patent**
Park et al.

(10) **Patent No.:** **US D951,872 S**
(45) **Date of Patent:** **** May 17, 2022**

(54) **REMOTE CONTROLLER**

(71) Applicant: **SAMSUNG ELECTRONICS CO., LTD.**, Suwon-si (KR)

(72) Inventors: **Yu-Na Park**, Suwon-si (KR); **Jae-Ho Jang**, Suwon-si (KR); **Min Kyung Choi**, Suwon-si (KR); **Deok-Sang Yun**, Suwon-si (KR); **Sang-In Lee**, Suwon-si (KR)

(73) Assignee: **SAMSUNG ELECTRONICS CO., LTD.**, Gyeonggi-Do (KR)

(**) Term: **15 Years**

(21) Appl. No.: **29/724,395**

(22) Filed: **Feb. 14, 2020**

(30) **Foreign Application Priority Data**

Sep. 10, 2019 (KR) 30-2019-0043685

(51) **LOC (13) Cl.** **13-03**

(52) **U.S. Cl.**
USPC **D13/144**

(58) **Field of Classification Search**
USPC D13/144, 108, 110, 107, 103; D12/114;
D14/155, 252; D27/141
CPC H02J 7/342; H01R 2201/26
See application file for complete search history.

(56) **References Cited**

U.S. PATENT DOCUMENTS

D541,254 S *	4/2007	Dayan	D14/155
D575,383 S	8/2008	Dalal		
D600,206 S *	9/2009	Ledbetter	D13/110
D609,644 S *	2/2010	Lin	D13/144
D641,342 S *	7/2011	Chang	D14/240
D778,822 S *	2/2017	Broadhurst, IV	D13/107
D834,521 S *	11/2018	Wang	D13/144
D846,501 S *	4/2019	Esses	D13/144

D871,362 S *	12/2019	Tang	D14/155
D873,233 S *	1/2020	Du	D14/155
D898,694 S *	10/2020	DeLuna	D14/496
D898,696 S *	10/2020	Du	D14/155
D898,697 S *	10/2020	Du	D14/155
D902,170 S *	11/2020	Jia	D14/155

FOREIGN PATENT DOCUMENTS

EM	0012483550001	12/2010
EM	0021486680002	12/2012
EM	0024491080005	4/2014
EM	0031764600001	6/2016

* cited by examiner

Primary Examiner — Jennifer O King

(74) *Attorney, Agent, or Firm* — Cantor Colburn LLP

(57) **CLAIM**

The ornamental design for a remote controller, as shown and described.

DESCRIPTION

FIG. 1 is a front perspective view of a remote controller, showing our new design;
FIG. 2 is a front view thereof;
FIG. 3 is a rear view thereof;
FIG. 4 is a left-side view thereof;
FIG. 5 is a right-side view thereof;
FIG. 6 is a top view thereof;
FIG. 7 is a bottom view thereof;
FIG. 8 is a bottom perspective view thereof;
FIG. 9 is an exploded view thereof;
FIG. 10 is another exploded view thereof; and,
FIG. 11 is an enlarged view of the encircled portion, '11' in FIG. 6.

The broken lines shown represent portions of the remote controller that form no part of the claimed design. The dot-dash broken lines encircling enlarged portions of the design form no part of the claimed design.

1 Claim, 11 Drawing Sheets

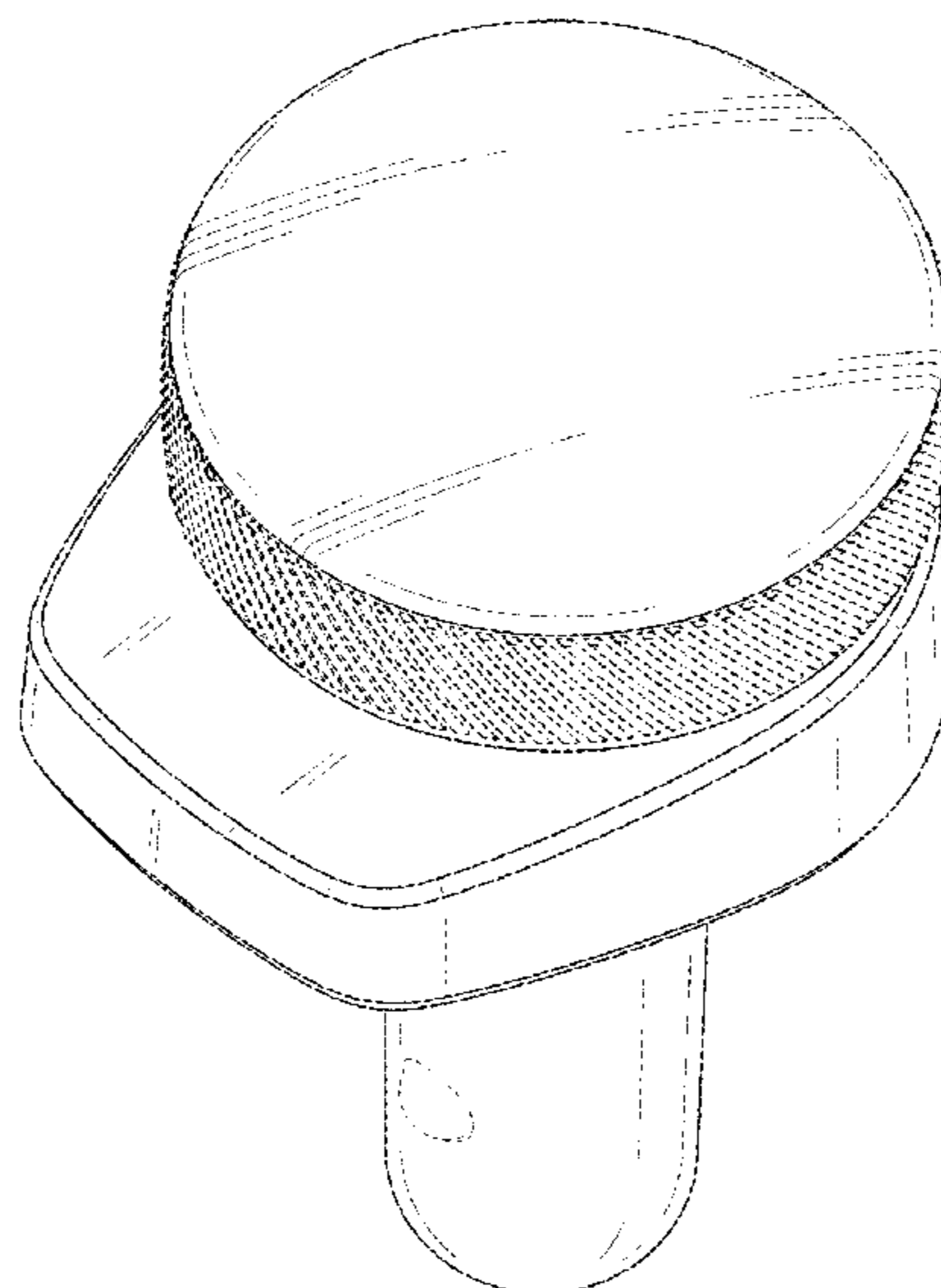


FIG. 1

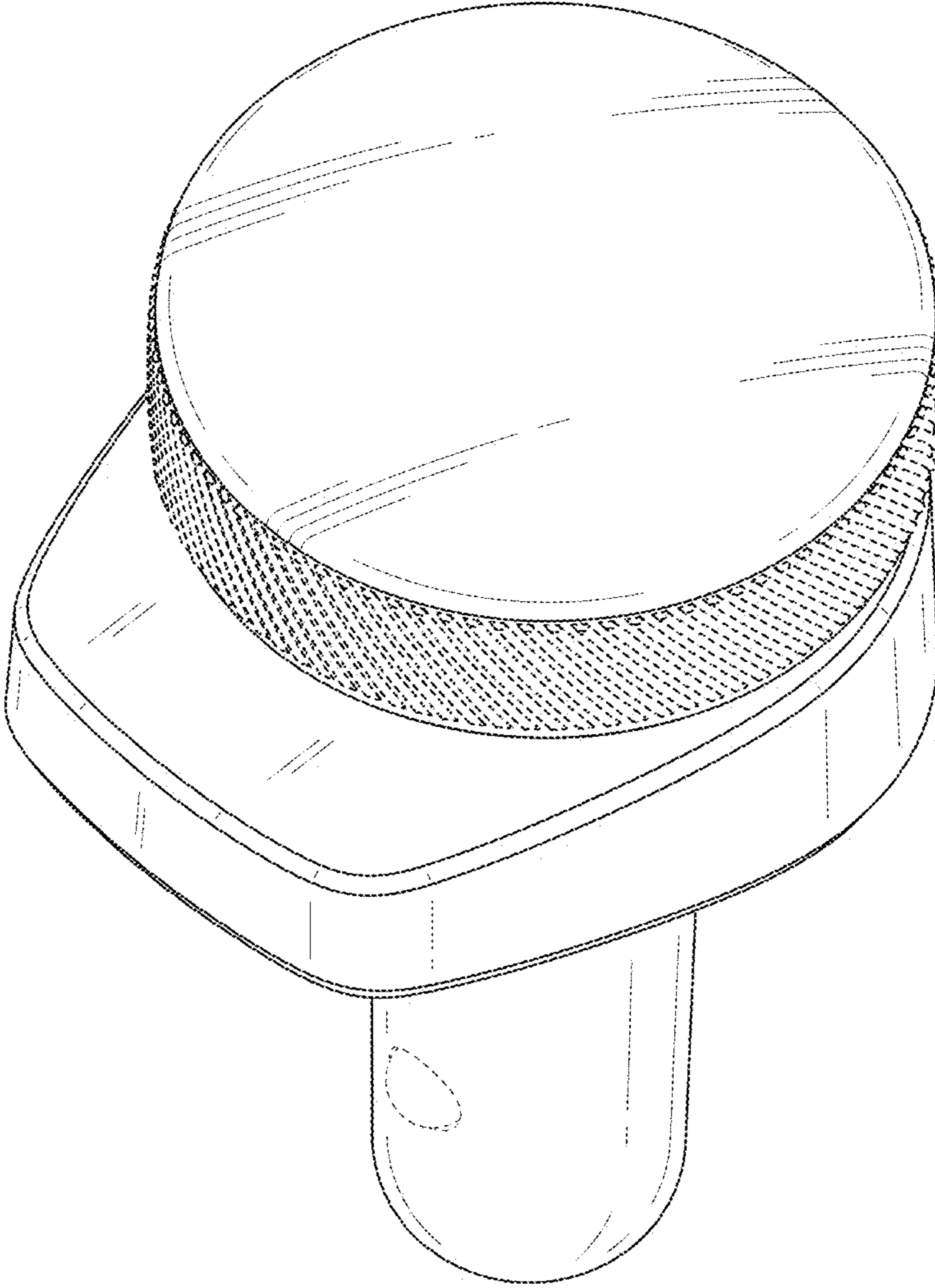


FIG. 2

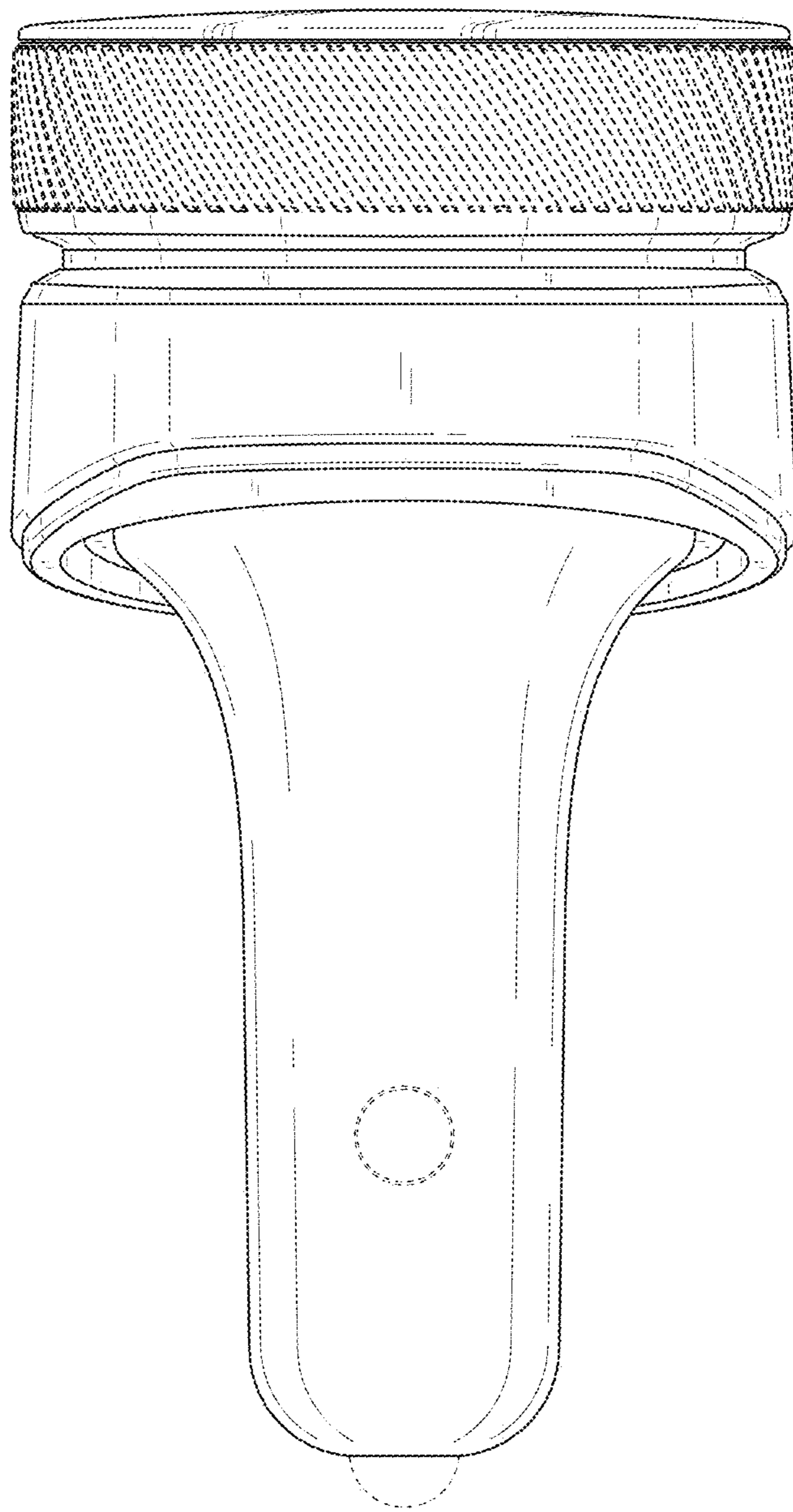


FIG. 3

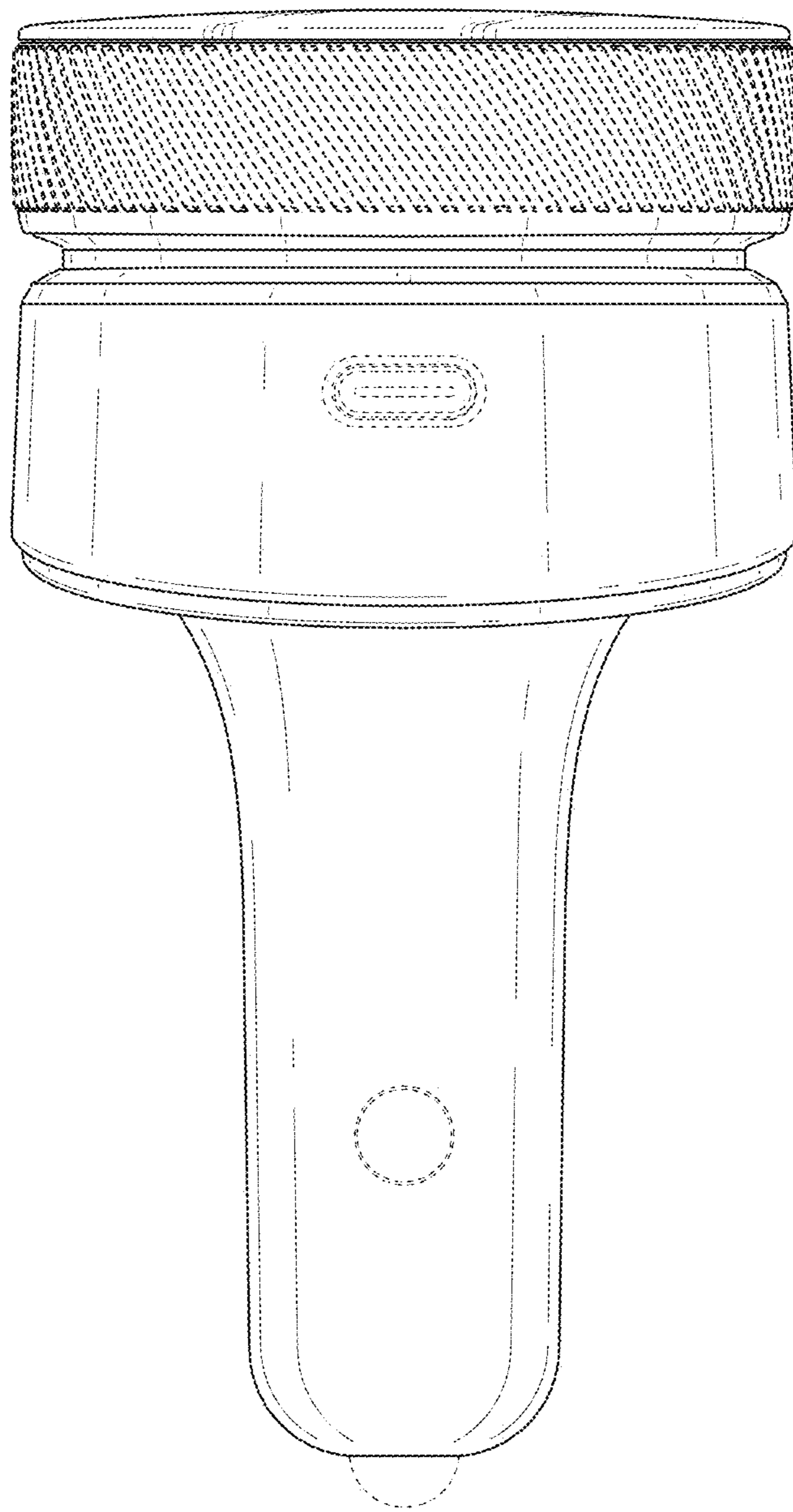


FIG. 4

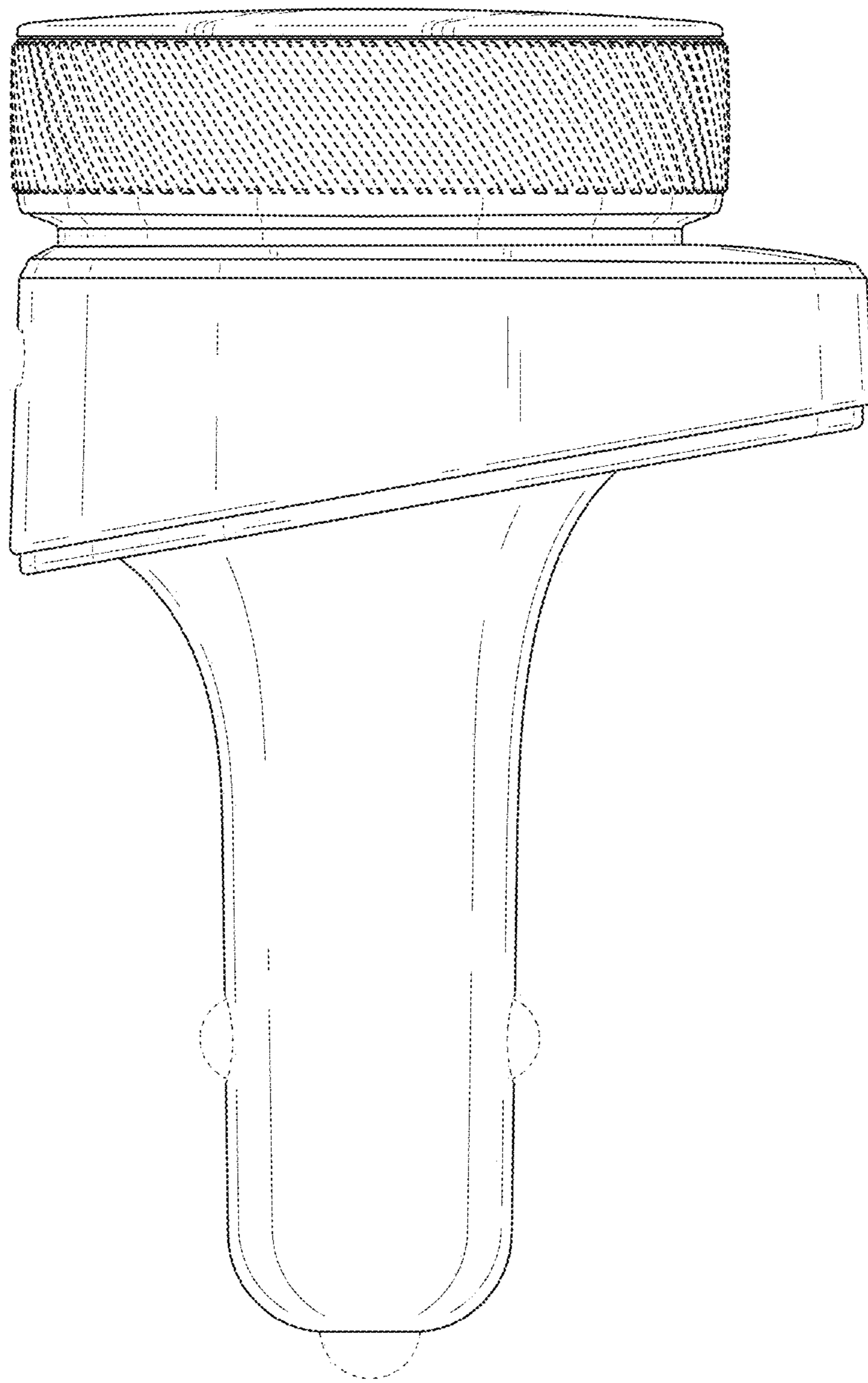


FIG. 5

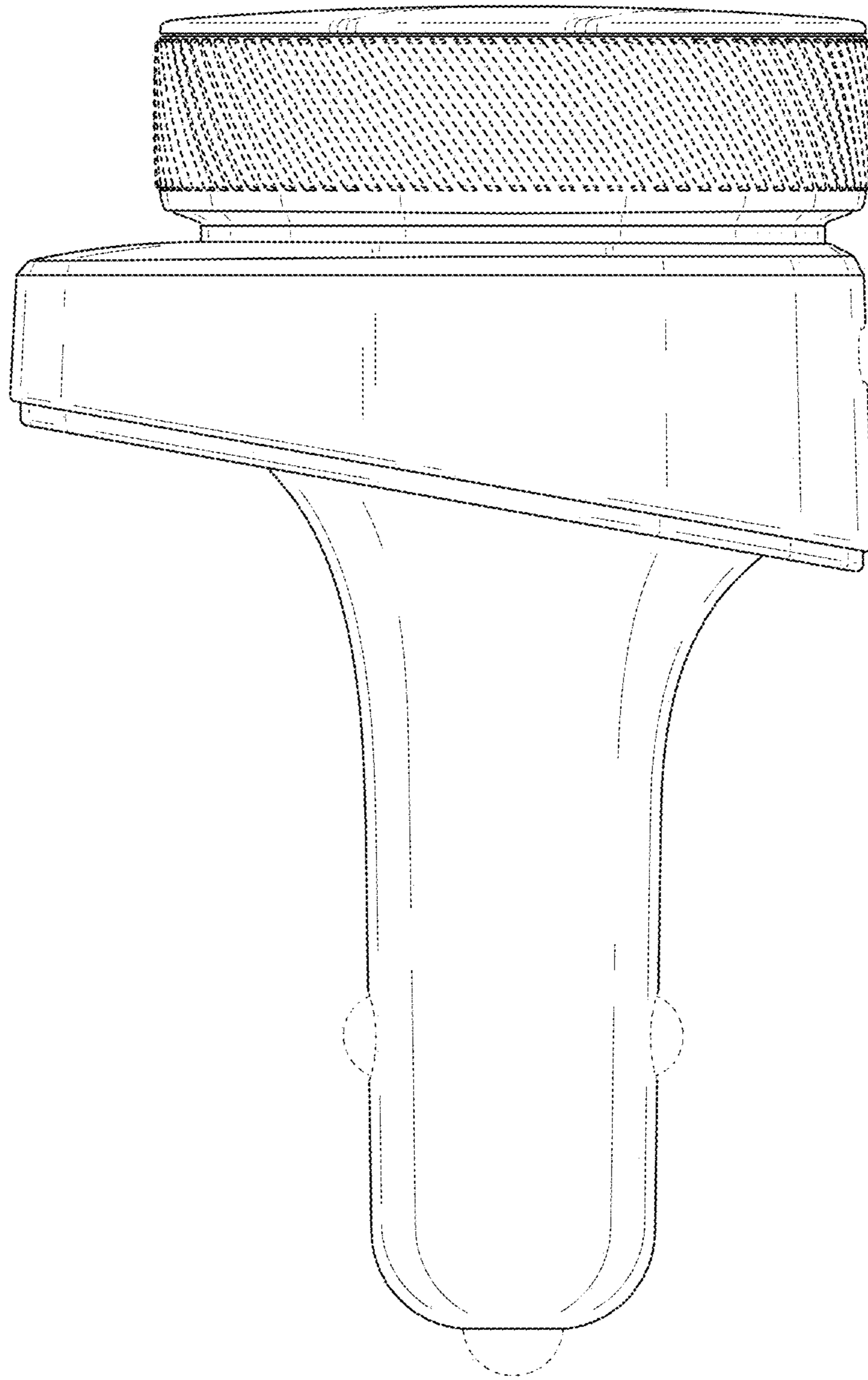


FIG. 6

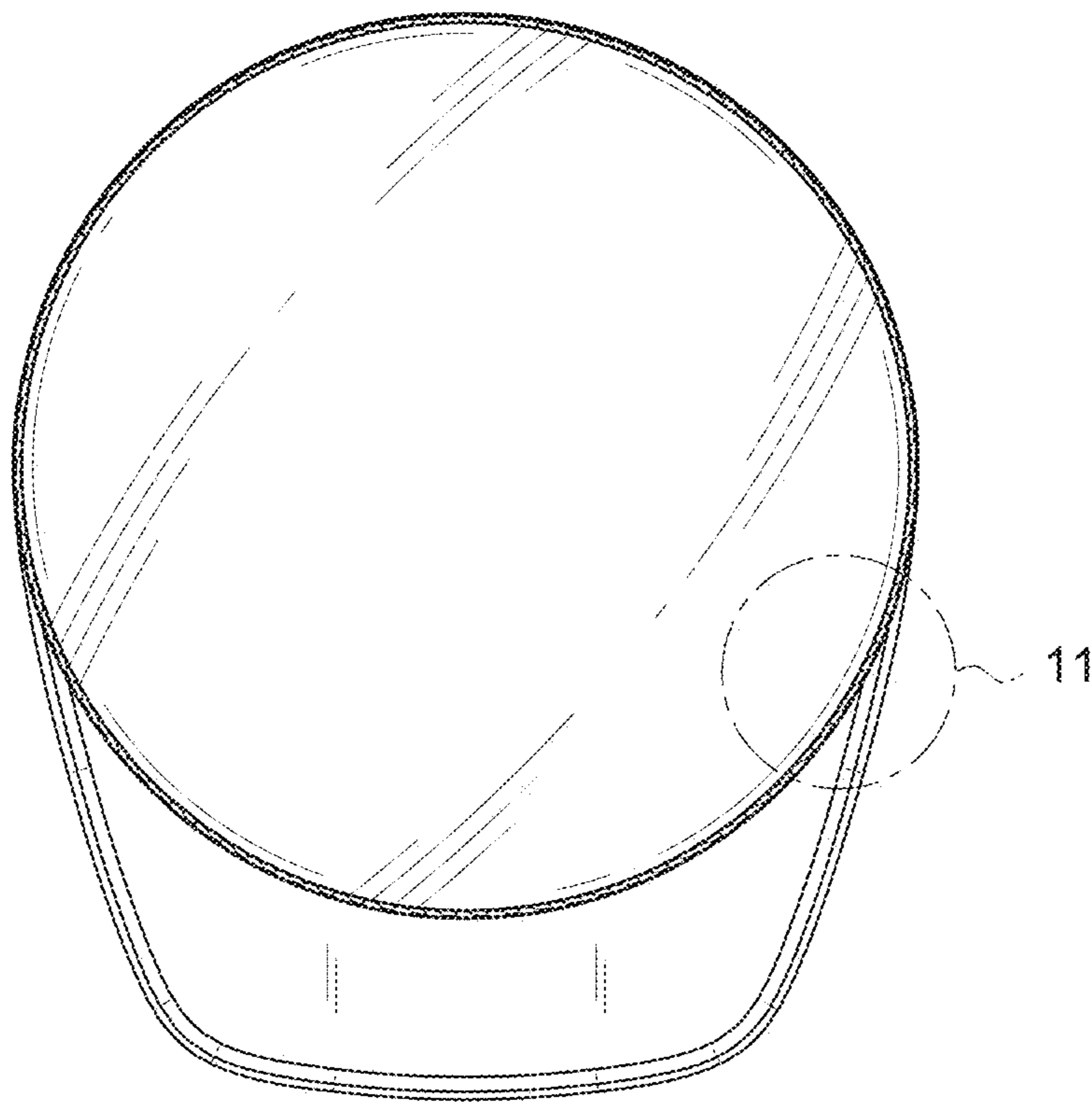


FIG. 7

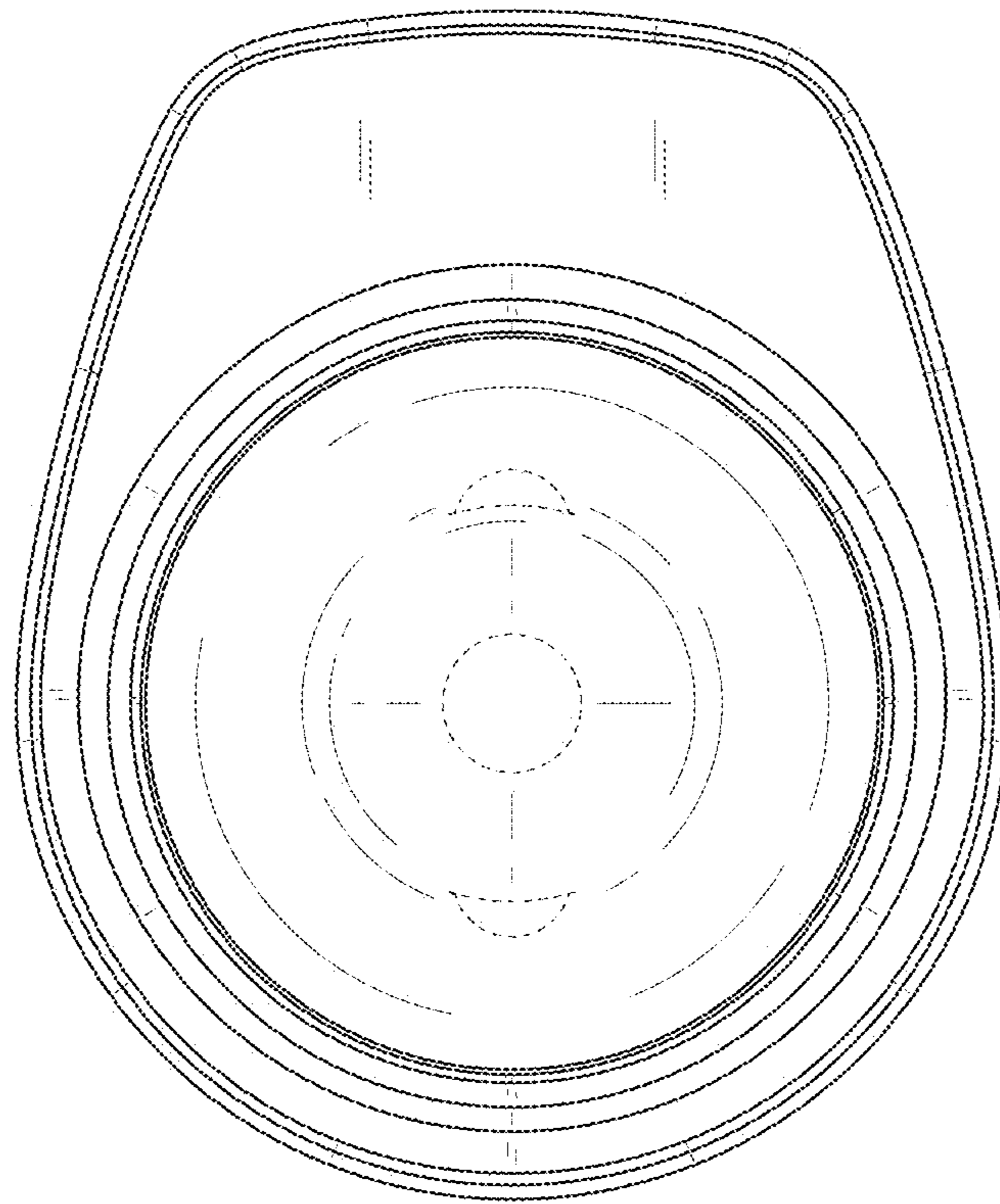


FIG. 8

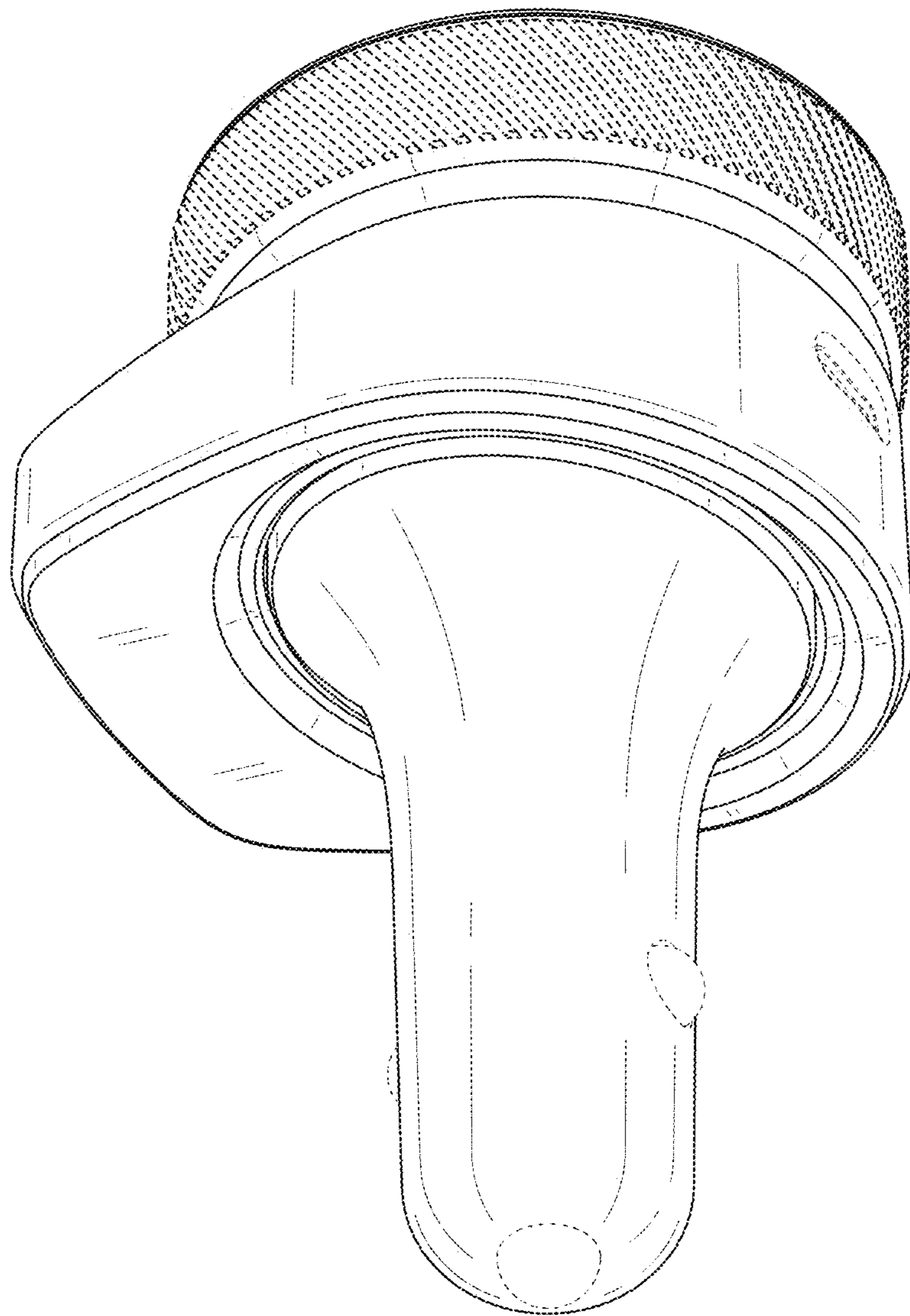


FIG. 9

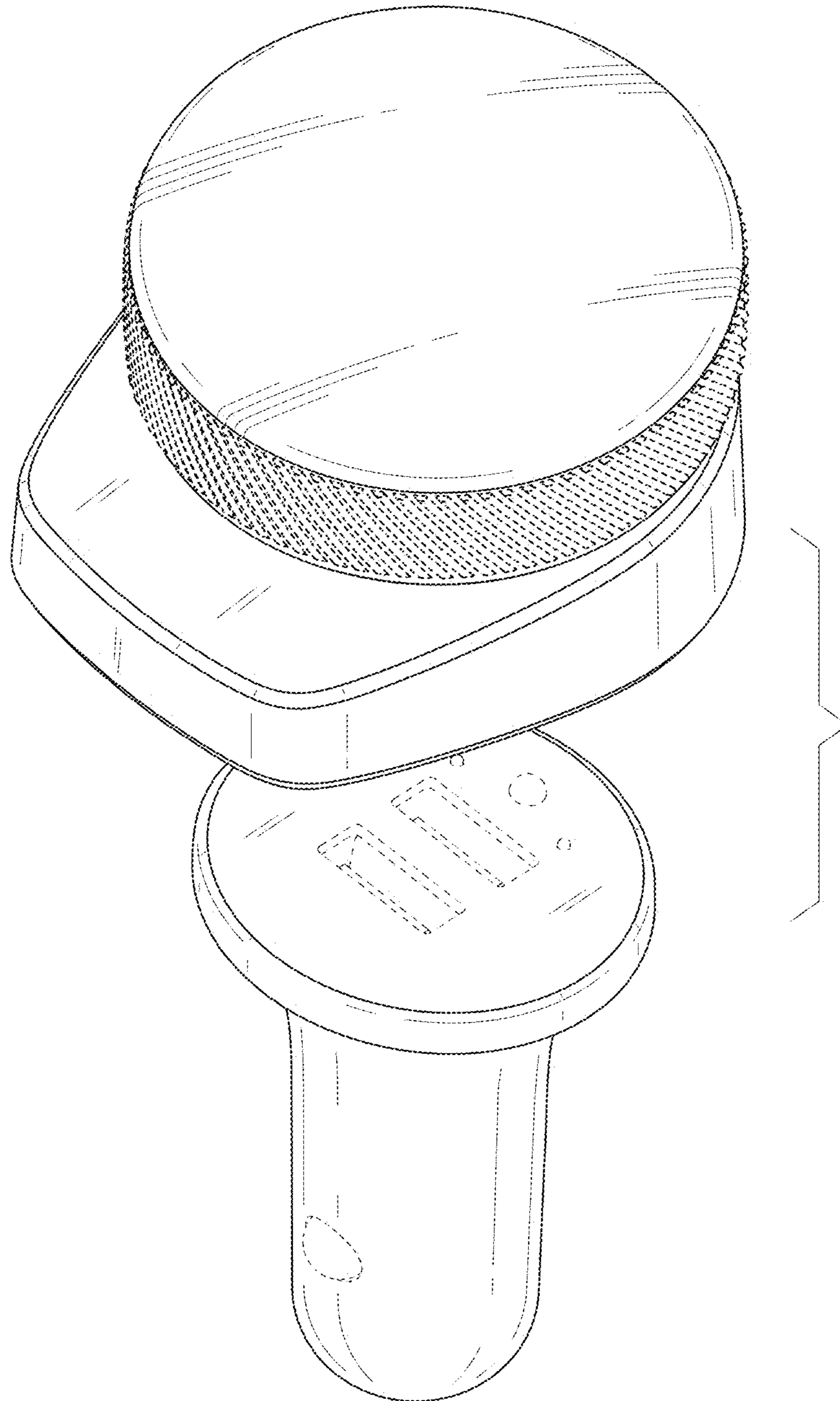


FIG. 10

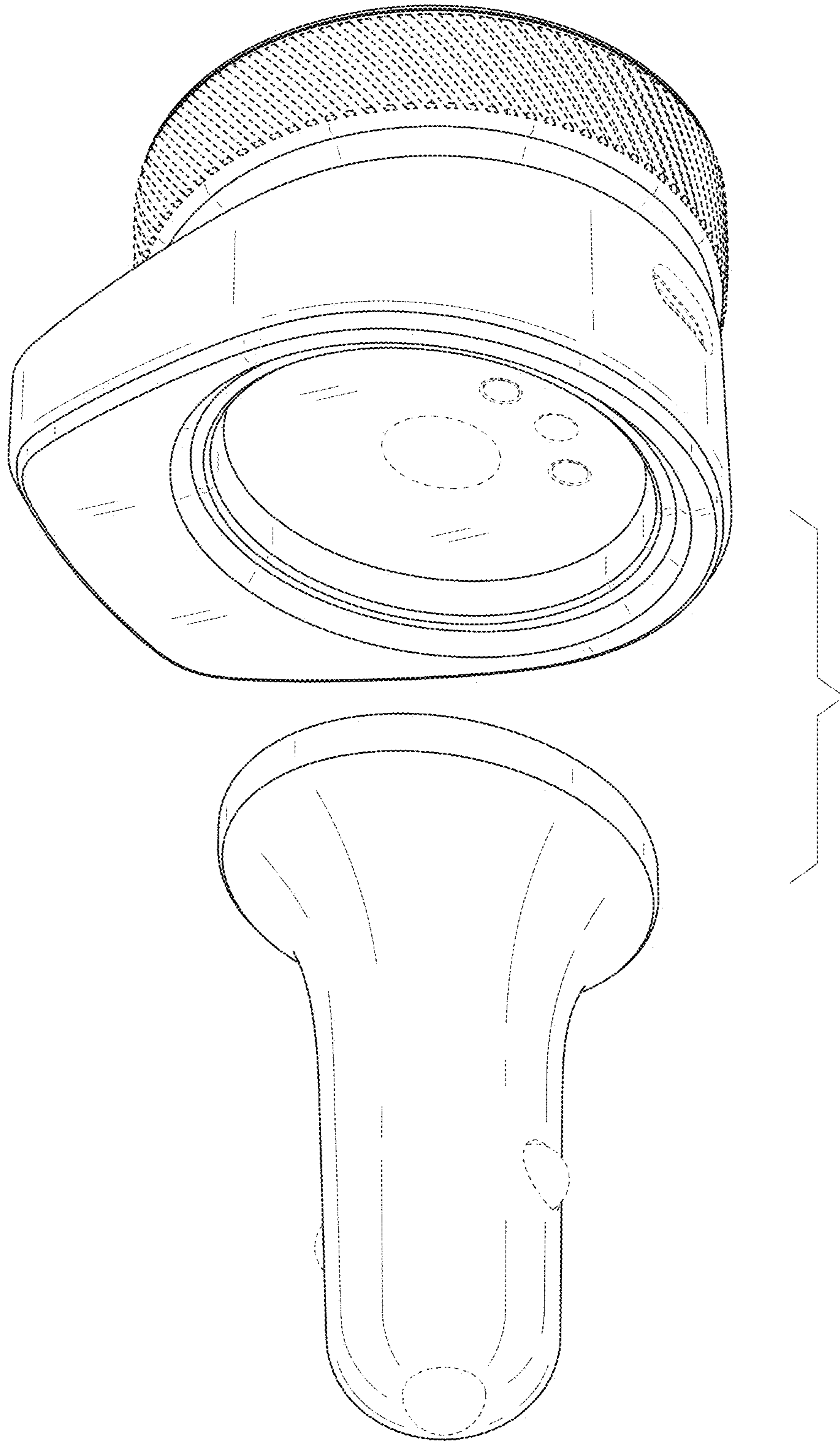


FIG. 11

