



US00D951871S

(12) **United States Design Patent** (10) **Patent No.:** **US D951,871 S**
Valley (45) **Date of Patent:** **** May 17, 2022**

(54) **ELECTRICAL RECEPTACLE**
(71) Applicant: **Group Dekko, Inc.**, Fort Wayne, IN (US)
(72) Inventor: **Austin S. Valley**, Grand Rapids, MI (US)
(73) Assignee: **Group Dekko, Inc.**, Fort Wayne, IN (US)

9,425,570 B2 8/2016 Oostermann et al.
9,680,656 B2 1/2017 Rivera
D801,936 S * 11/2017 Rose D13/139.4
(Continued)

FOREIGN PATENT DOCUMENTS

CA 173786 * 7/2019
CA 186156 * 5/2020
(Continued)

(**) Term: **15 Years**

OTHER PUBLICATIONS

(21) Appl. No.: **29/770,347**
(22) Filed: **Feb. 11, 2021**
(51) **LOC (13) Cl.** **13-03**
(52) **U.S. Cl.**
USPC **D13/139.7**
(58) **Field of Classification Search**
USPC D13/137.1, 137.2, 137.3, 137.4, 138.1,
D13/138.2, 139.1, 139.2, 139.3, 139.4,
D13/139.5, 139.6, 139.7, 139.8, 103, 107,
D13/108, 110, 119, 123, 133, 145, 152,
D13/153, 154, 156, 158, 160, 162, 177,
D13/184, 199
CPC H01R 13/00; H01R 13/03; H01R 13/04;
H01R 13/10; H01R 13/35; H01R 13/44;
H01R 13/453; H01R 13/4534; H01R
13/502; H01R 13/514; H01R 13/631;
H01R 13/639; H01R 13/6633; H01R
13/6666; H01R 13/6675; H01R 13/7135;
H01R 31/02; H01R 31/06; H01R 31/065
See application file for complete search history.

“3 Outlet Desk Clamp Power Strip, Desktop Power Strip with USB Ports, Desk Mount USB Charging Power Station, on Desk Edge Power Outlet 125V 12A 1500W, 6FT Desk Outlet Strip.”, first available May 6, 2019. Amazon.com [https://www.amazon.com/dp/B07RR39CDF] (Year: 2019).*

(Continued)

Primary Examiner — Rosemary K Tarcza
Assistant Examiner — Seth David Kumpf
(74) *Attorney, Agent, or Firm* — Taylor IP, P.C.

(57) **CLAIM**

The ornamental design for a electrical receptacle, as shown and described.

DESCRIPTION

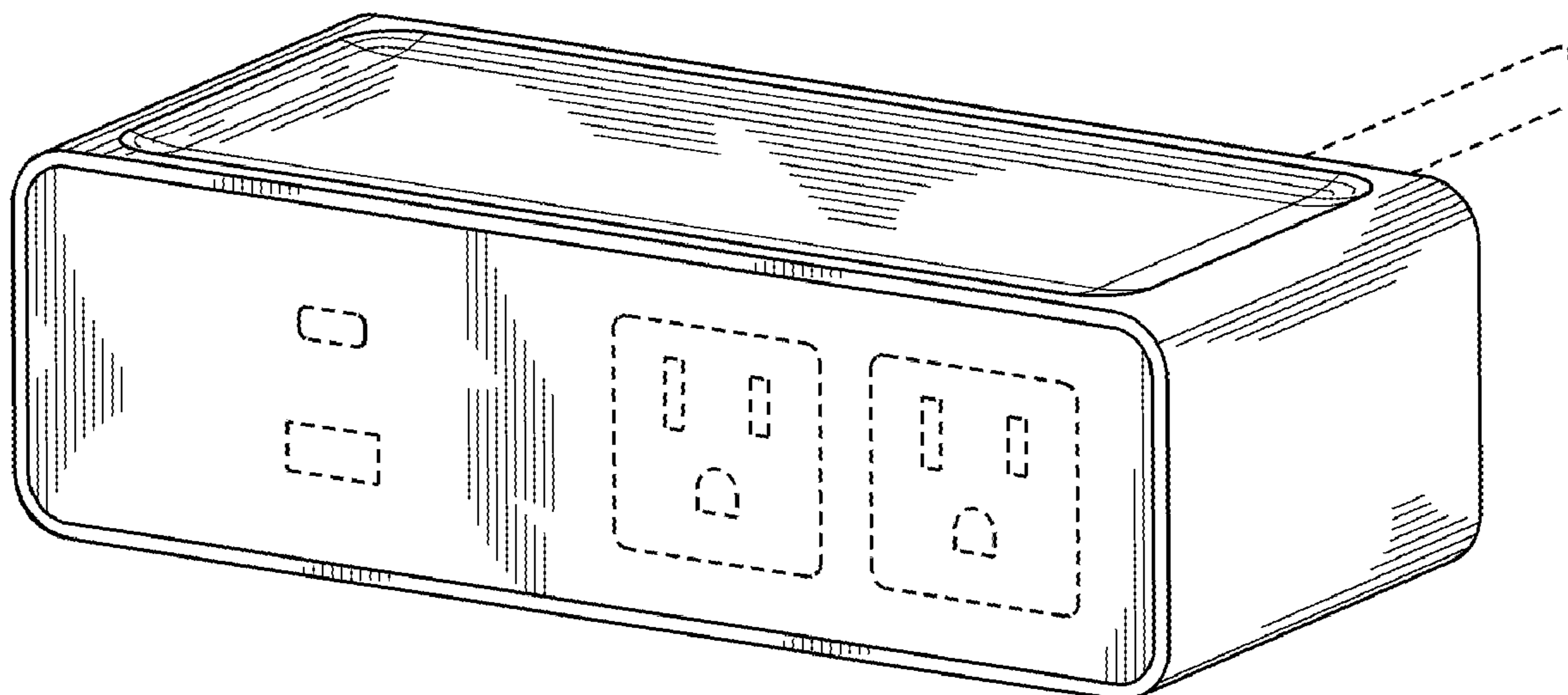
FIG. 1 is a perspective view of a electrical receptacle showing my new design;
FIG. 2 is a front view thereof;
FIG. 3 is a back view thereof;
FIG. 4 is a right side view thereof, the left side view being a mirror image thereof;
FIG. 5 is a top view thereof; and,
FIG. 6 is a bottom view thereof.
In the drawings, the broken lines are for the purpose of illustrating portions of the article that form no part of the claimed design.

1 Claim, 3 Drawing Sheets

(56) **References Cited**

U.S. PATENT DOCUMENTS

4,875,871 A 10/1989 Booty, Sr. et al.
6,309,248 B1 10/2001 King
6,514,652 B2 2/2003 Cash, Jr.
9,048,598 B2 6/2015 Byrne et al.
9,246,317 B2 1/2016 Byrne et al.



(56)

References Cited

OTHER PUBLICATIONS

U.S. PATENT DOCUMENTS

D801,937	S	*	11/2017	Rose	D13/139.4
D849,686	S	*	5/2019	Byrne	D13/137.2
D851,597	S	*	6/2019	Ding	D13/137.2
D852,140	S	*	6/2019	Chen	D13/137.2
D867,996	S	*	11/2019	Chen	D13/137.2
D872,695	S	*	1/2020	Bo	D13/137.2
D902,862	S	*	11/2020	Rupert	D13/137.1
D902,864	S	*	11/2020	Turksu	D13/139.1
D930,591	S	*	9/2021	Rupert	D13/137.1
D939,446	S	*	12/2021	Molaie Shargh	D13/137.2
2018/0375313	A1		12/2018	Misener et al.		
2019/0348793	A1		11/2019	Boe		

FOREIGN PATENT DOCUMENTS

CA		187898	*	6/2020
CA		187899	*	6/2020

“Ashley Duo Surface Power Module”, first accessed Jan. 20, 2022. OfficeChairUSA.com [https://www.officechairsusa.com/ashley-duo-surface-power-module/?gclid=EAIaIQobChMlh6CotP_A9QIVGeylCh1yDQ-OEAQYASABEgLk7PD_BwE](Year: 2022).*

“Power Strip Desktop Extension Cord—8FT Flat Plug Desk Clamp Power Strip with USB C Power Delivery Charger, 2 AC Outlet Extender, Desk Mount USB Charging Power Station for Office, Home”, first available Oct. 19, 2021. Amazon.com [<https://www.amazon.com/dp/B09JSRMVPB>] (Year: 2021).*

“Belkin Wall Mount Surge Protector—3 AC Multi Outlets & 2 USB Ports—Flat Rotating Plug Splitter—Wall Outlet Extender for Home, Office, Travel, Computer Desktop & Charging Brick—918 Joules”, first available Dec. 27, 2012. Amazon.com [<https://www.amazon.com/dp/B00ATZJ5YS>] (Year: 2012).*

* cited by examiner

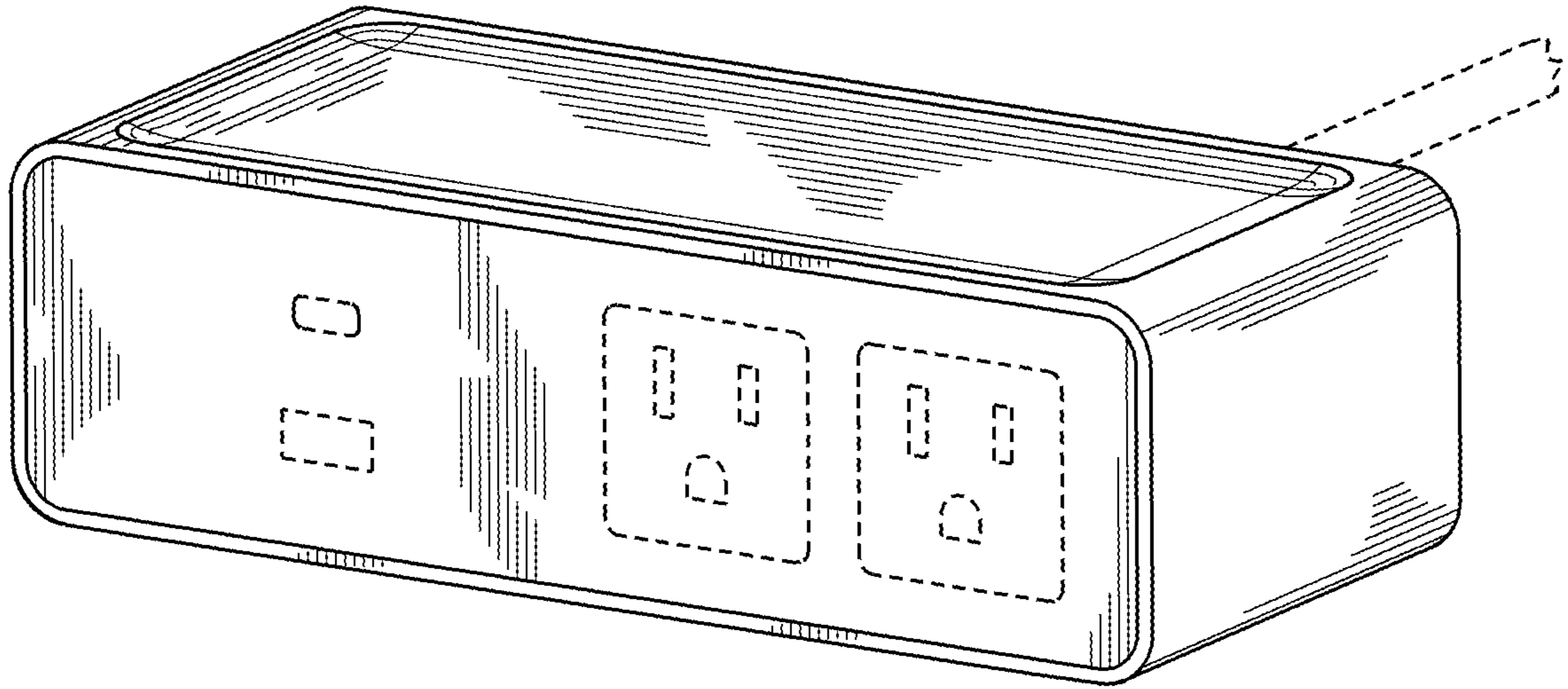


FIG. 1

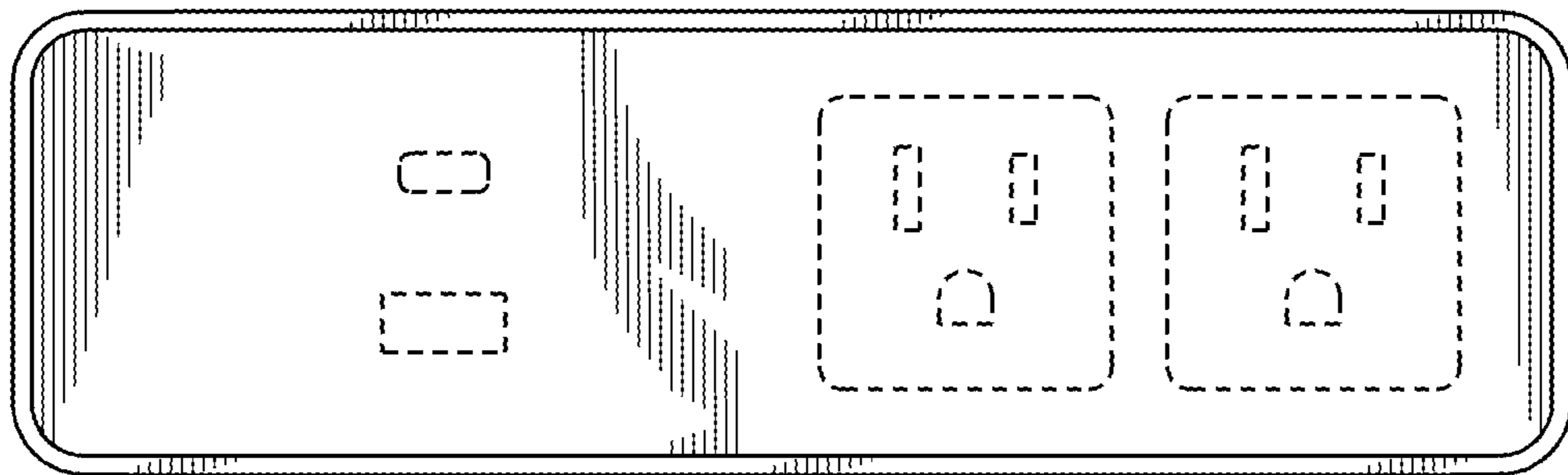


FIG. 2

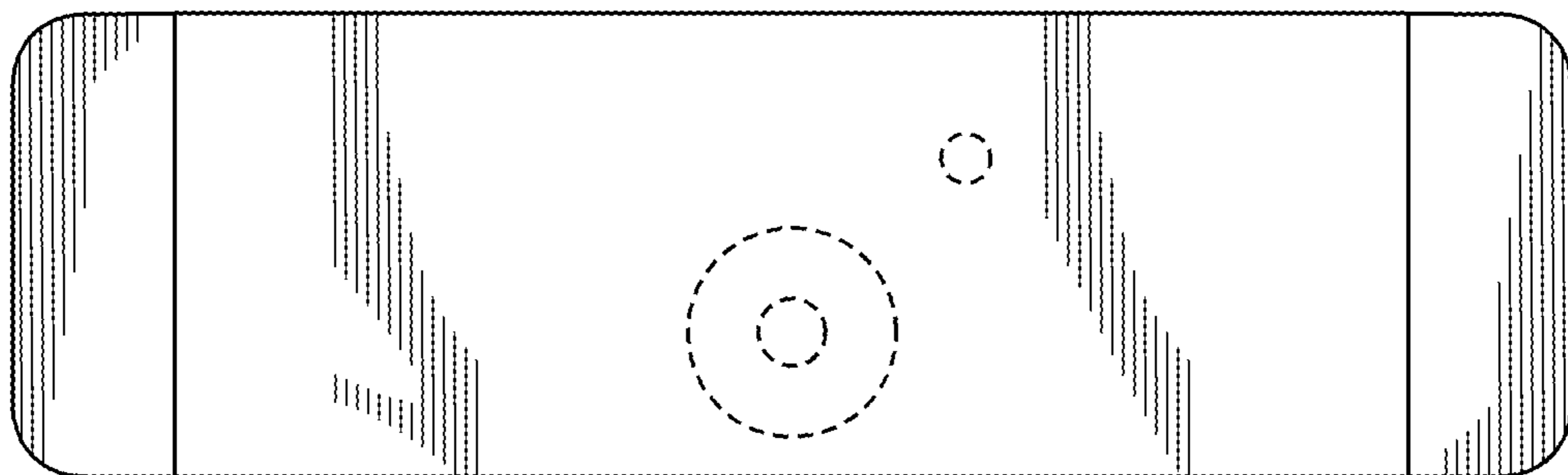


FIG. 3

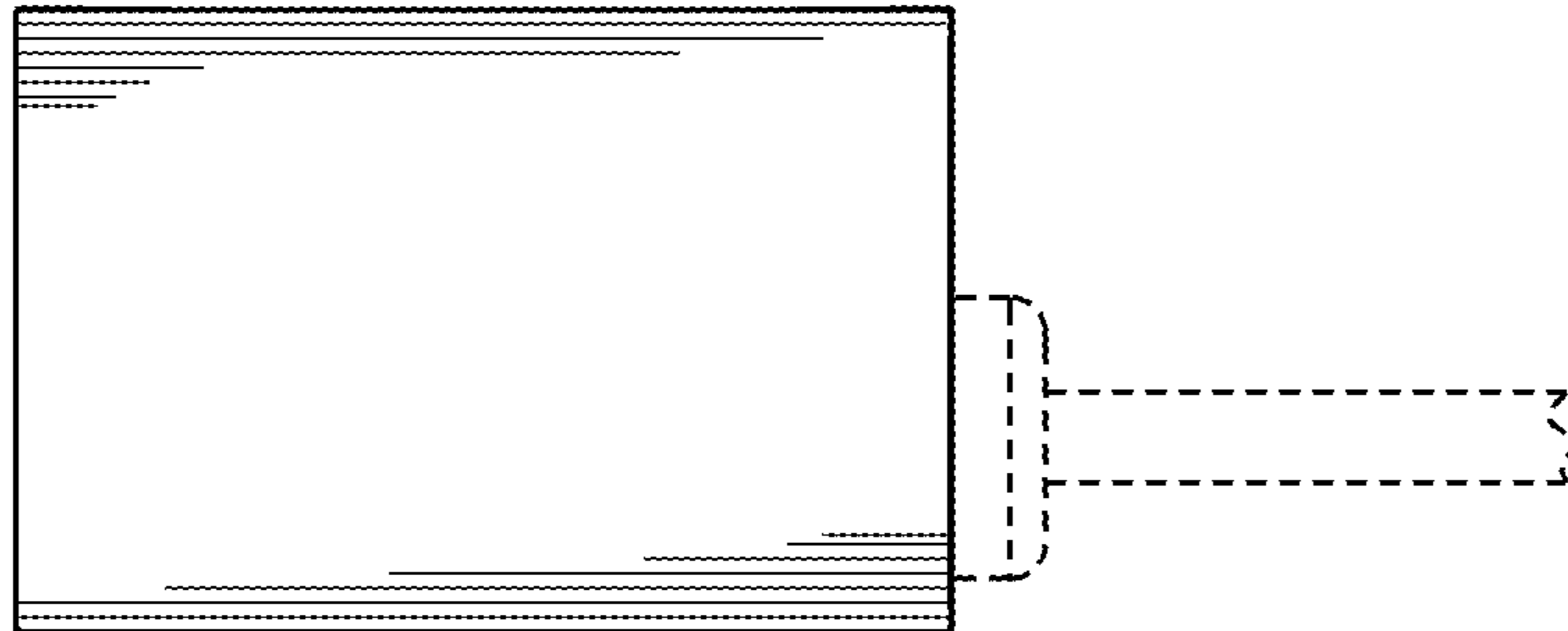


FIG. 4

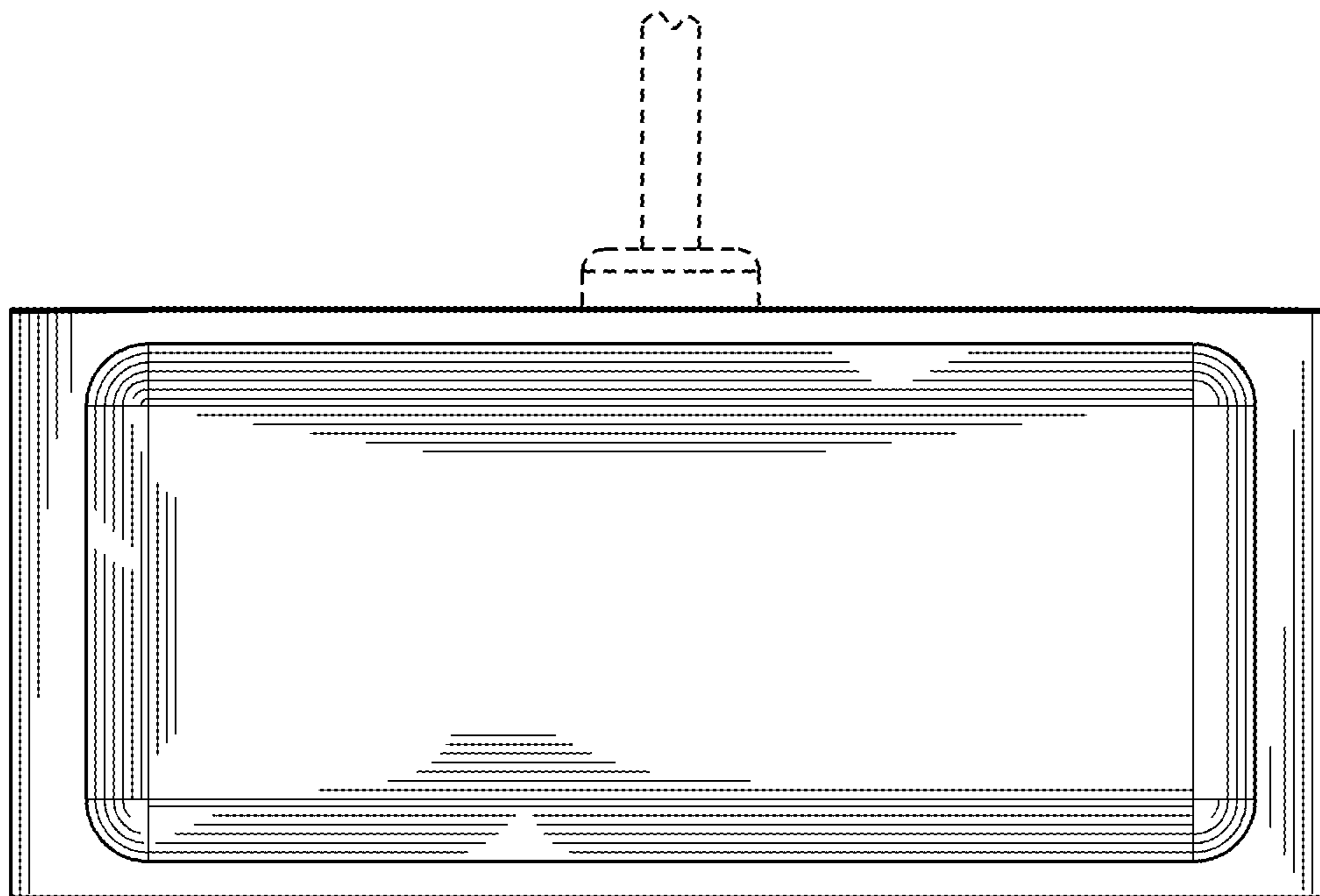


FIG. 5

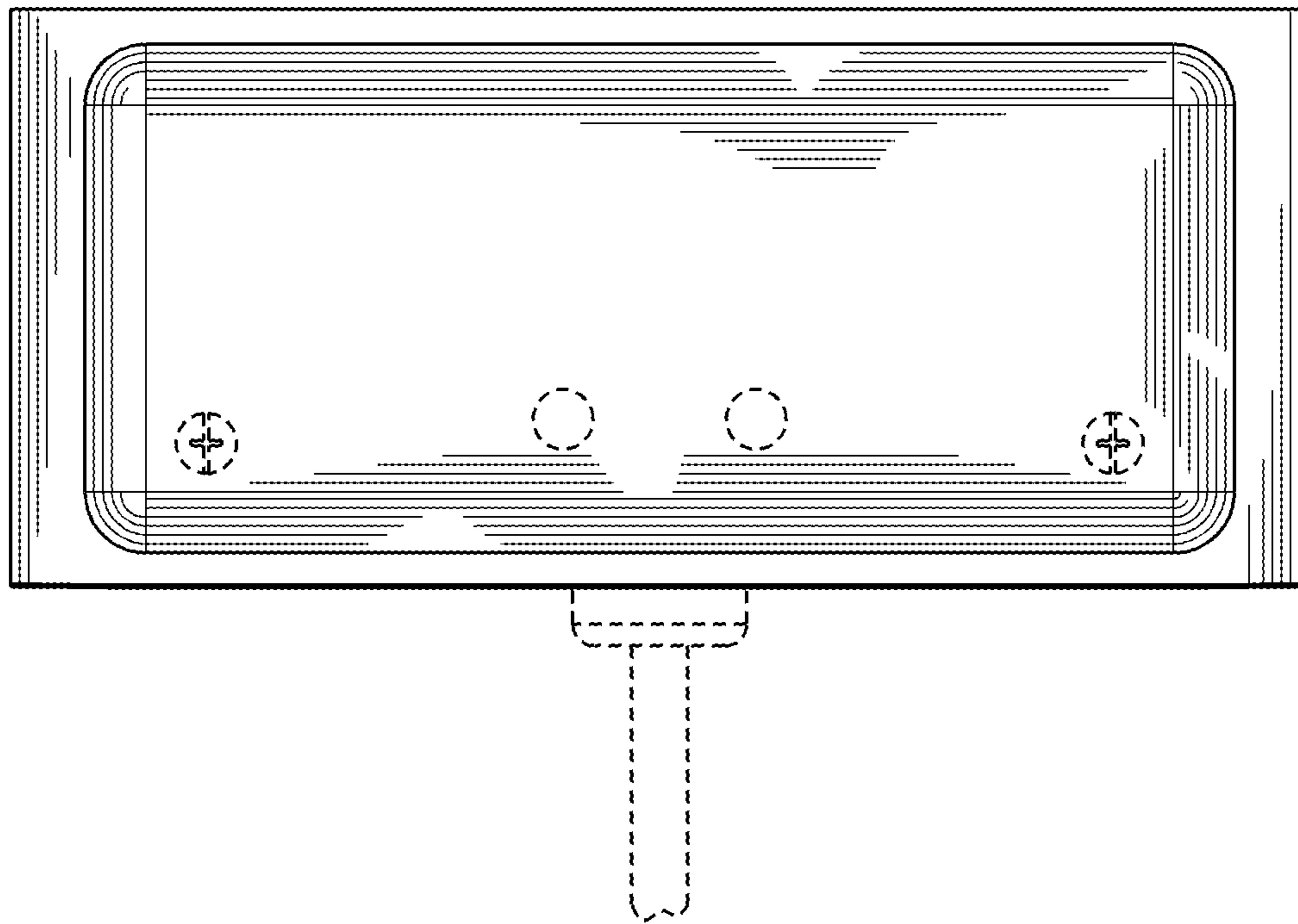


FIG. 6