



US00D951866S

(12) **United States Design Patent**
Elison et al.

(10) **Patent No.:** **US D951,866 S**
(45) **Date of Patent:** **** May 17, 2022**

(54) **BATTERY MODULE CONNECTOR BARREL**

(71) Applicant: **CPS Technology Holdings LLC**, New York, NY (US)

(72) Inventors: **Nicholas E. Elison**, Milwaukee, WI (US); **Richard M. DeKeuster**, Racine, WI (US)

(73) Assignee: **CPS Technology Holdings LLC**, New York, NY (US)

(**) Term: **15 Years**

(21) Appl. No.: **29/771,667**

(22) Filed: **Feb. 24, 2021**

Related U.S. Application Data

(60) Division of application No. 29/683,626, filed on Mar. 14, 2019, now Pat. No. Des. 920,251, which is a continuation-in-part of application No. 14/850,728, filed on Sep. 10, 2015, now Pat. No. 10,249,916.

(51) **LOC (13) Cl.** **13-03**

(52) **U.S. Cl.**
USPC **D13/119; D13/133**

(58) **Field of Classification Search**
USPC D13/103, 118-120, 123, 133, 146, 147, D13/149, 154, 184, 199
CPC B60L 11/18; B60R 16/0215; H01M 2/10; H01M 2/1022; H01M 2/105; H01M 2/24; H01M 10/48; H01R 13/02; H01R 13/436; H01R 13/641; H01R 13/73; H01R 31/06
See application file for complete search history.

(56) **References Cited**

U.S. PATENT DOCUMENTS

D256,356 S 8/1980 Lazerson
D312,447 S * 11/1990 Esslinger D13/133
D319,813 S 9/1991 Kozono
5,127,848 A 7/1992 Taguchi

D335,647 S 5/1993 Hood
5,378,552 A 1/1995 Dixon, Jr.
5,626,489 A * 5/1997 Marshall H01R 4/22
439/402
5,681,178 A 10/1997 Kunkle
(Continued)

FOREIGN PATENT DOCUMENTS

CN 103081214 A 2/2012
CN 103534835 A 1/2014
(Continued)

OTHER PUBLICATIONS

PCT/US2016/017918 Search Report and Written Opinion dated May 3, 2016.

Primary Examiner — Shawn T Gingrich

(74) *Attorney, Agent, or Firm* — Boardman & Clark LLP

(57) **CLAIM**

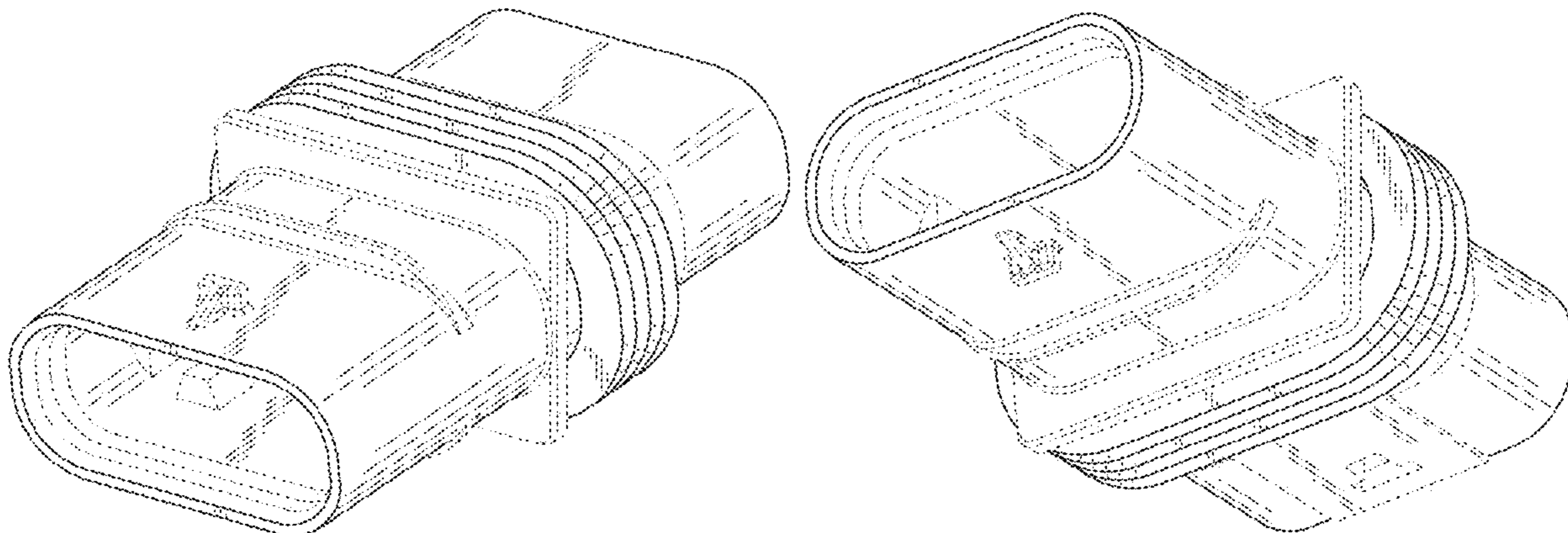
The ornamental design for a connector barrel of a battery module, as shown and described herein.

DESCRIPTION

FIG. 1 is a front overhead perspective view of a connector barrel showing our new design;
FIG. 2 is a front underside perspective view thereof;
FIG. 3 is a back overhead perspective view thereof;
FIG. 4 is a back underside perspective view thereof;
FIG. 5 is a top plan view thereof;
FIG. 6 is a bottom plan view thereof;
FIG. 7 is a right side elevation view thereof;
FIG. 8 is a left side elevation view thereof;
FIG. 9 is a front elevation view thereof; and,
FIG. 10 is a back elevation view thereof.

The broken line portion of the figure drawings is included to show portions of the battery module connector barrel that form no part of the claimed design.

1 Claim, 5 Drawing Sheets



(56)

References Cited

U.S. PATENT DOCUMENTS

D389,457 S 1/1998 Beranek
 D434,377 S * 11/2000 Bussett D13/133
 6,312,277 B1 11/2001 Holub
 6,372,377 B1 4/2002 Ovshinsky et al.
 6,376,122 B1 4/2002 Cheeseman
 D475,014 S 5/2003 Kano
 D503,150 S * 3/2005 Yamawaki D13/147
 D544,843 S 6/2007 Sugita
 D588,990 S 3/2009 Kok
 D589,444 S 3/2009 Kok
 7,722,372 B2 5/2010 Matsumoto et al.
 7,879,485 B2 2/2011 Yoon et al.
 7,892,011 B2 2/2011 Beer
 8,038,450 B2 10/2011 Nakagawa
 D651,567 S * 1/2012 Hodge D13/133
 8,147,280 B2 4/2012 Fernandez et al.
 8,221,165 B2 7/2012 DeWitte
 8,237,400 B2 8/2012 Gamboa et al.
 8,328,581 B2 12/2012 DeChazal
 D675,568 S 2/2013 Drew
 D678,203 S 3/2013 Corona
 8,679,666 B1 3/2014 Tsukamoto et al.
 8,808,031 B2 8/2014 Zhao
 D729,169 S * 5/2015 Corona D13/146
 9,150,107 B2 10/2015 Ferrel
 9,321,340 B2 4/2016 Maskew et al.
 D765,030 S 8/2016 Tyler
 9,413,040 B2 8/2016 Murakami et al.
 D797,043 S 9/2017 Akana
 D803,778 S 11/2017 Tononishi
 D817,278 S 5/2018 Tyler
 10,249,916 B2 4/2019 Tyler
 10,439,182 B2 10/2019 Ellison
 D867,993 S 11/2019 DeKeuster

10,543,795 B2 1/2020 DeKeuster
 D894,128 S 8/2020 Somanathapura et al.
 10,819,073 B2 10/2020 Azad
 D913,234 S * 3/2021 DeKeuster D13/119
 D913,235 S * 3/2021 DeKeuster D13/119
 D913,929 S * 3/2021 DeKeuster D13/119
 D920,251 S 5/2021 Elison et al.
 2001/0018294 A1 8/2001 Kameyama
 2002/0179312 A1 * 12/2002 Santelli, Jr. G02B 6/4459
 174/34
 2007/0087266 A1 4/2007 Bourke et al.
 2012/0308869 A1 12/2012 Obasih
 2013/0267108 A1 * 10/2013 Nagamine H01R 13/5219
 439/271
 2014/0045026 A1 2/2014 Fritz
 2014/0062493 A1 3/2014 Farrell
 2014/0327444 A1 11/2014 Rollan et al.
 2015/0069829 A1 3/2015 Dulle et al.
 2015/0217707 A1 8/2015 Tanigaki
 2015/0243946 A1 8/2015 Ahn
 2016/0043448 A1 2/2016 Fritz
 2016/0107530 A1 4/2016 Roberts et al.
 2016/0133908 A1 5/2016 Zhao
 2016/0197320 A1 * 7/2016 Mack H01M 50/571
 429/158
 2016/0197384 A1 7/2016 DeKeuster
 2016/0226112 A1 8/2016 Maskew et al.
 2018/0065573 A1 * 3/2018 DeKeuster H01M 10/0525

FOREIGN PATENT DOCUMENTS

EP 0921607 6/1999
 EP 2355209 8/2011
 WO 9831059 7/1998
 WO 2012142284 A1 10/2012
 WO 2013188680 12/2013

* cited by examiner

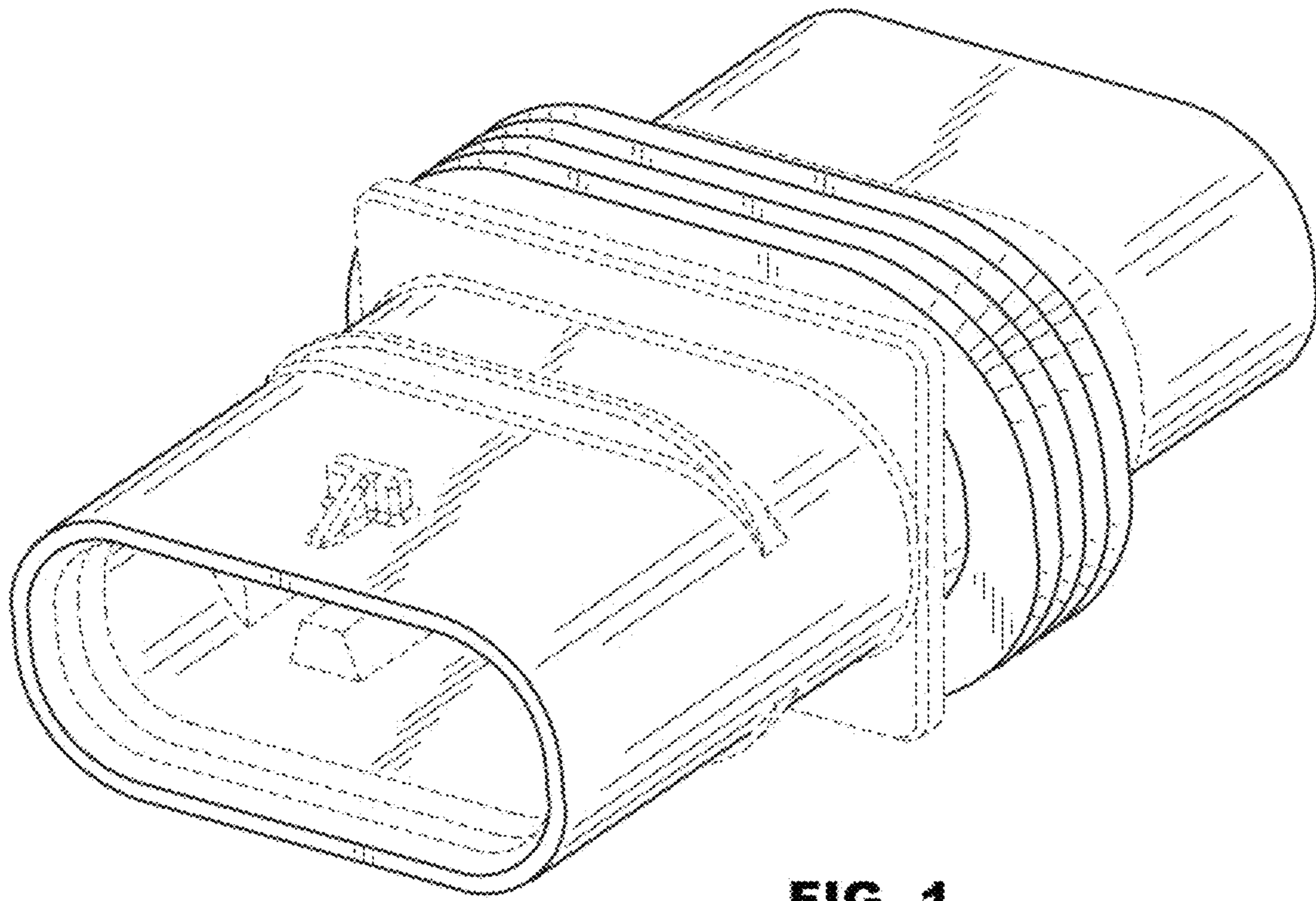


FIG. 1

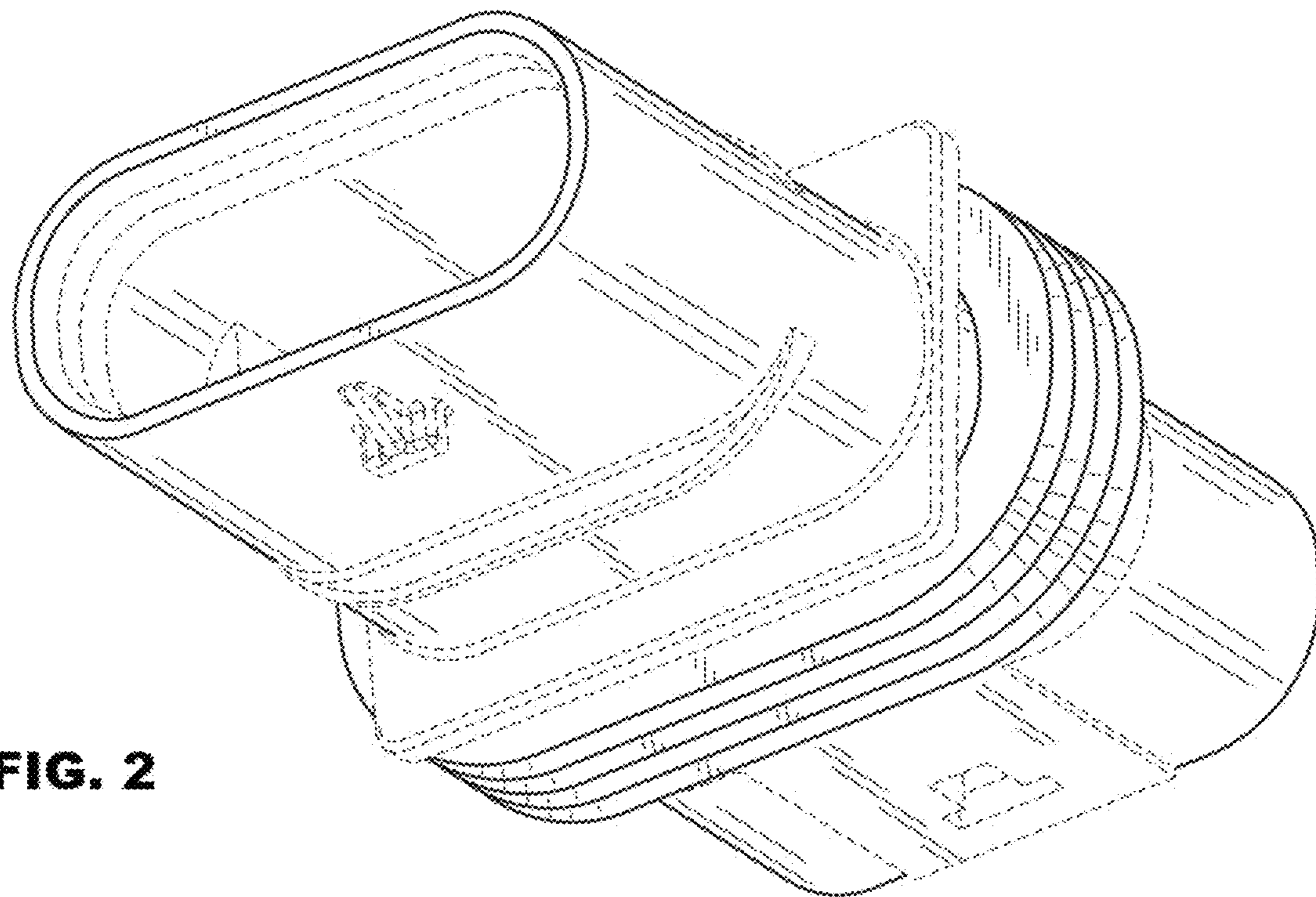
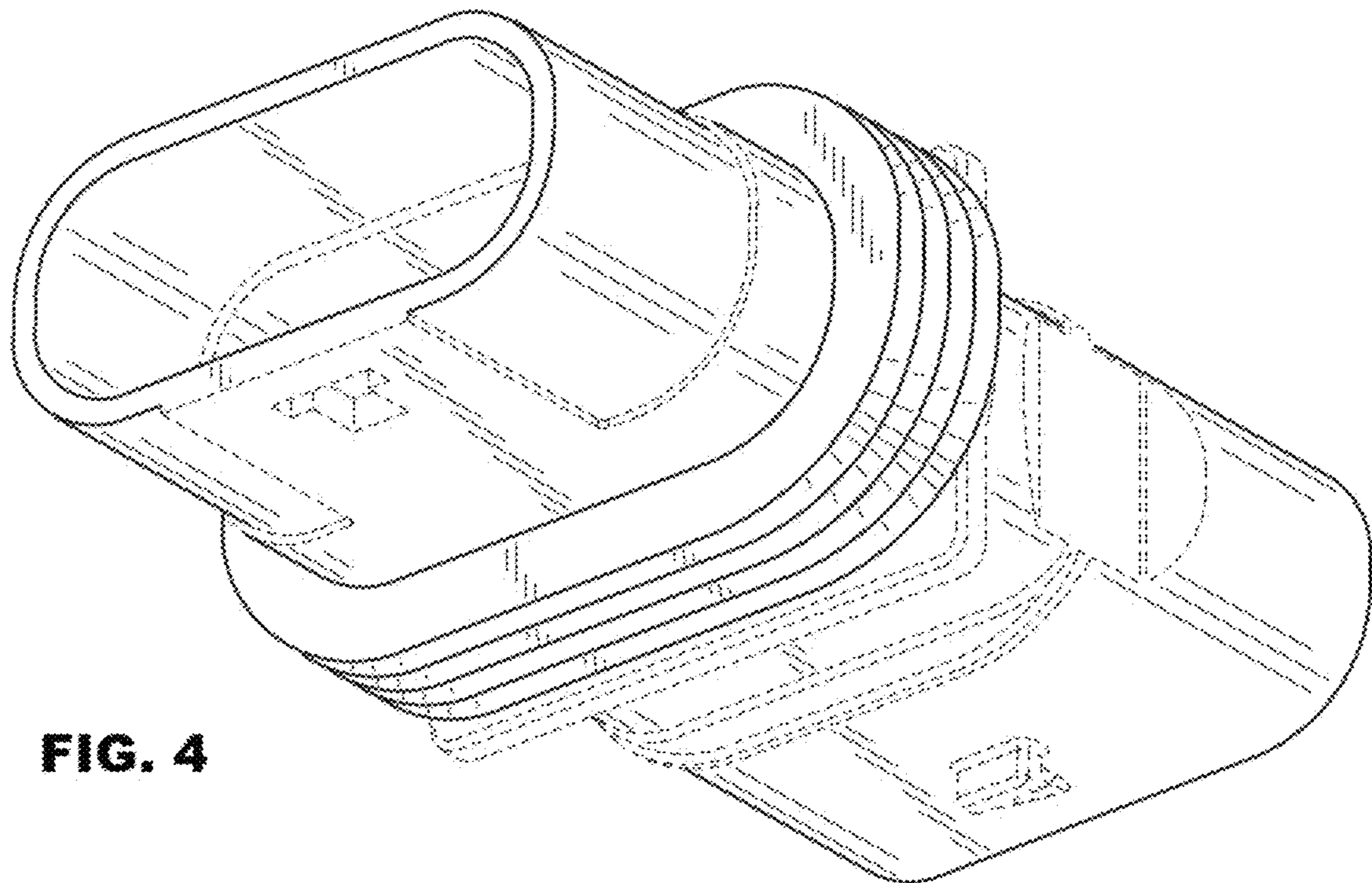
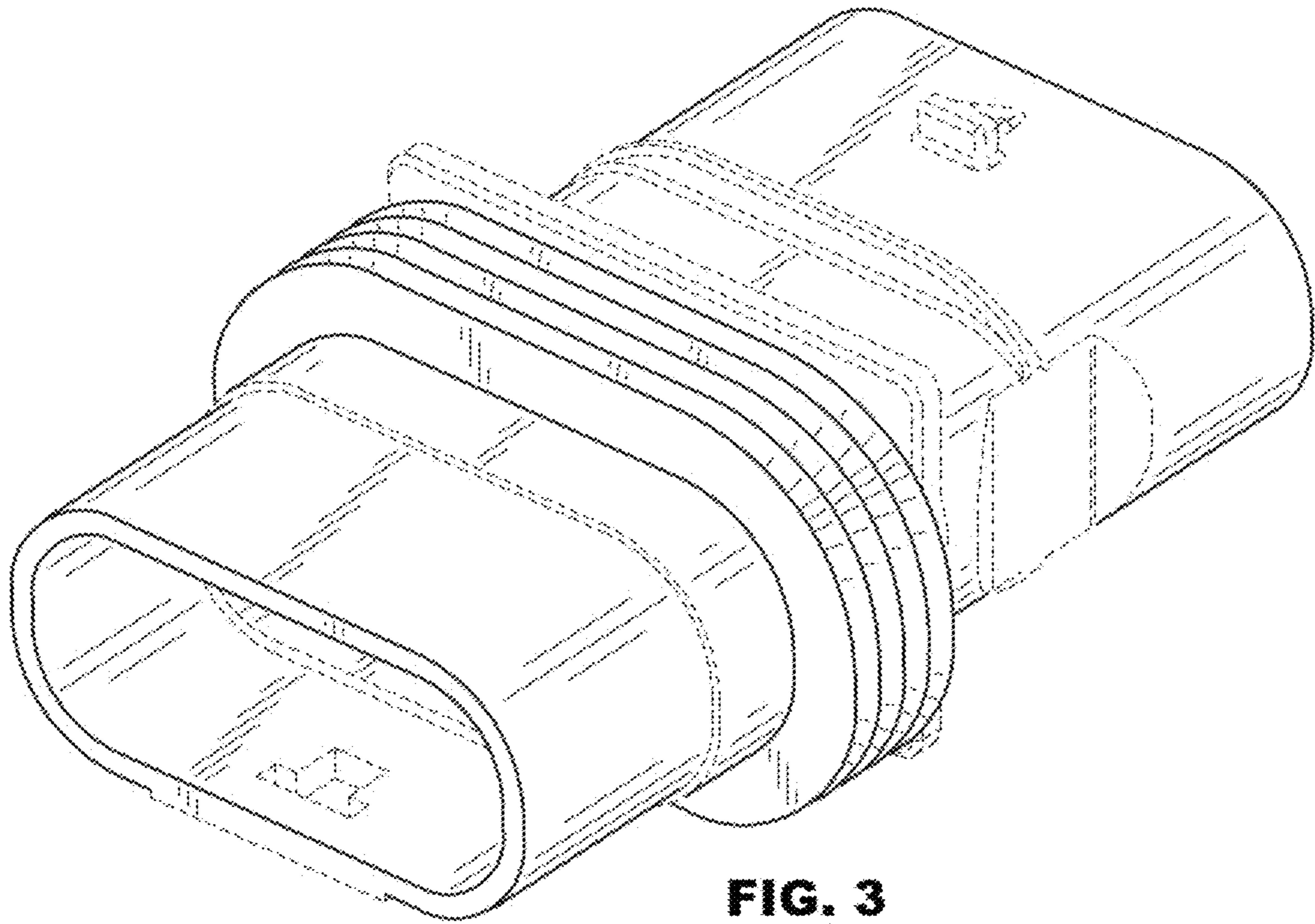


FIG. 2



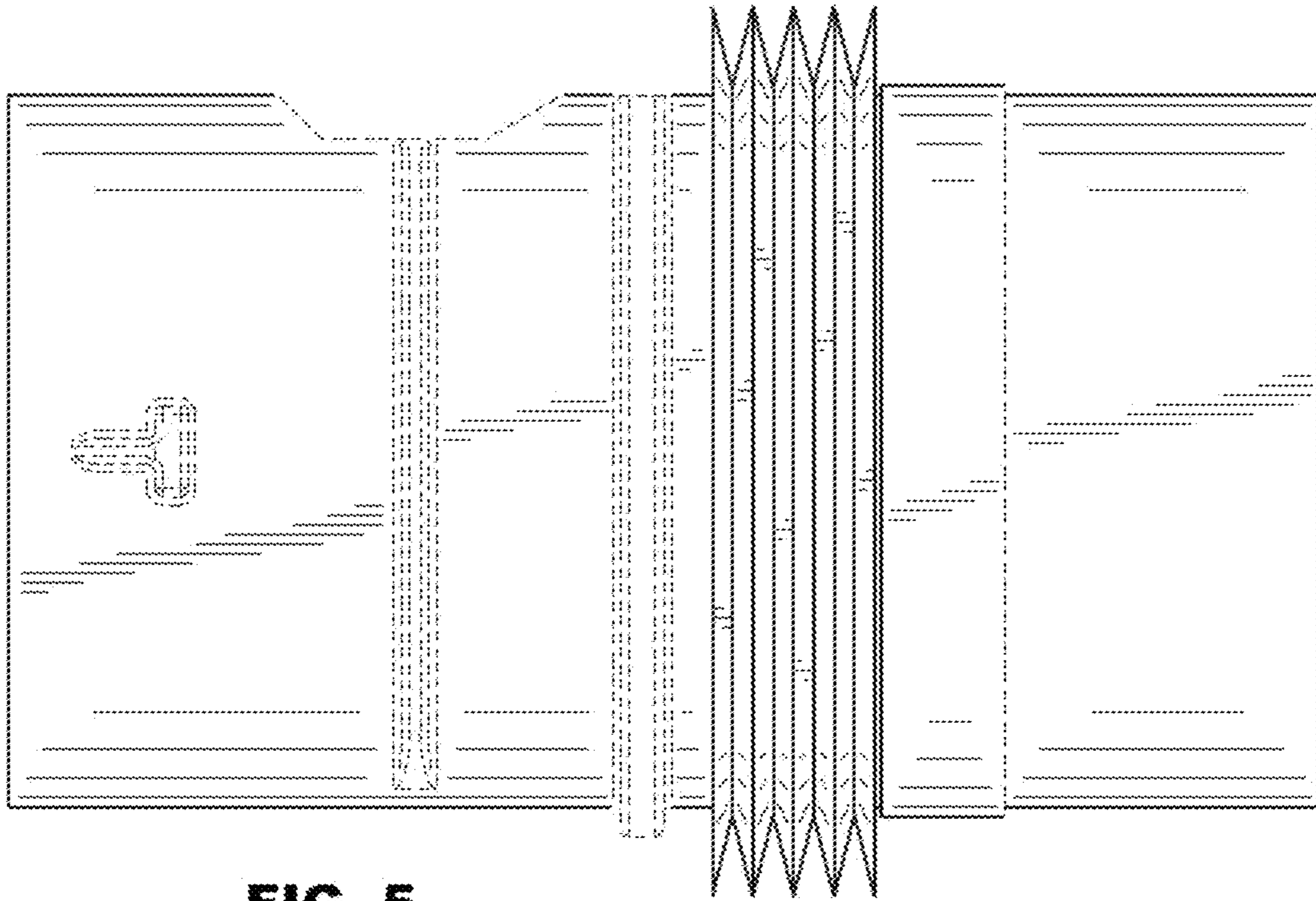


FIG. 5

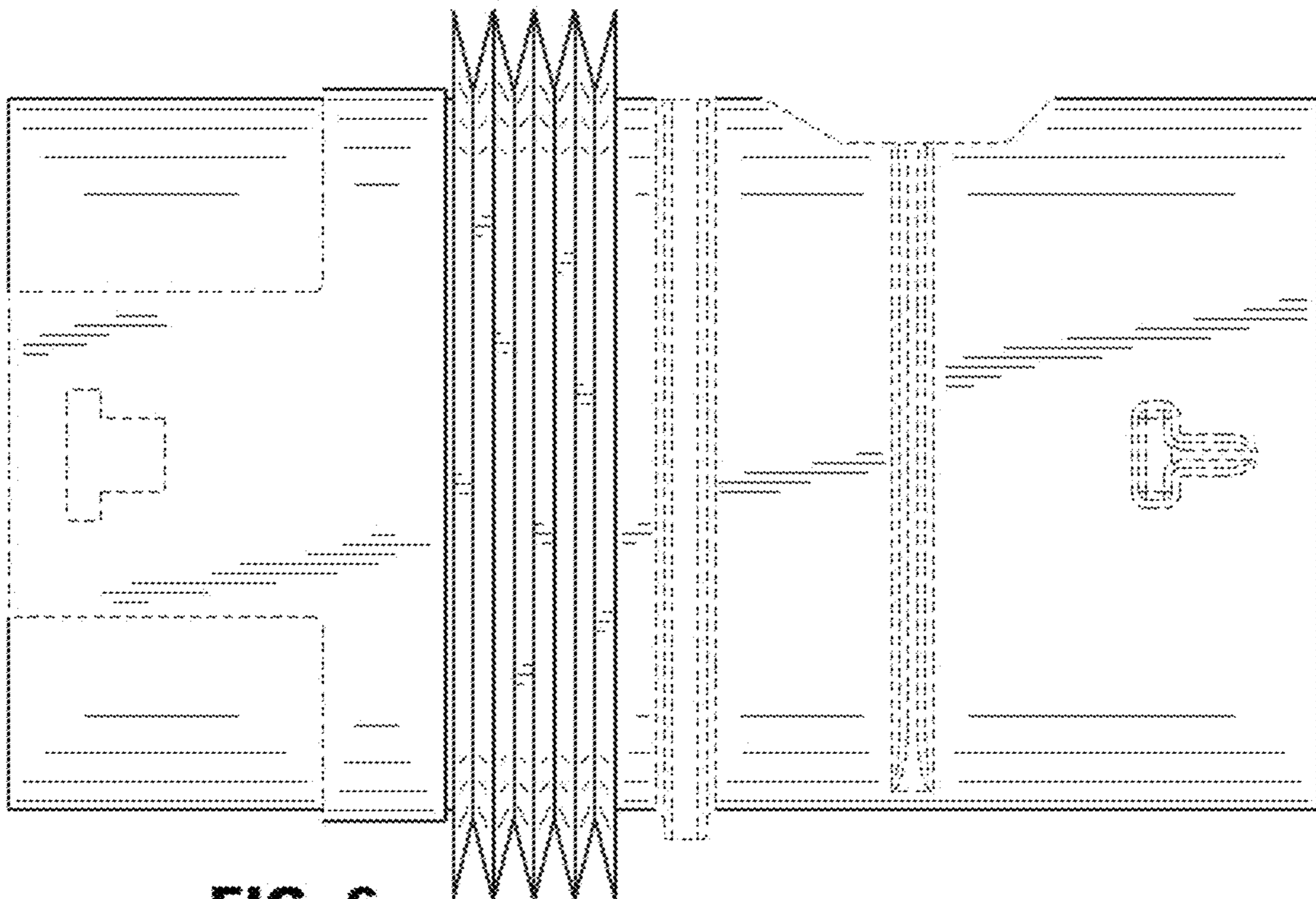


FIG. 6

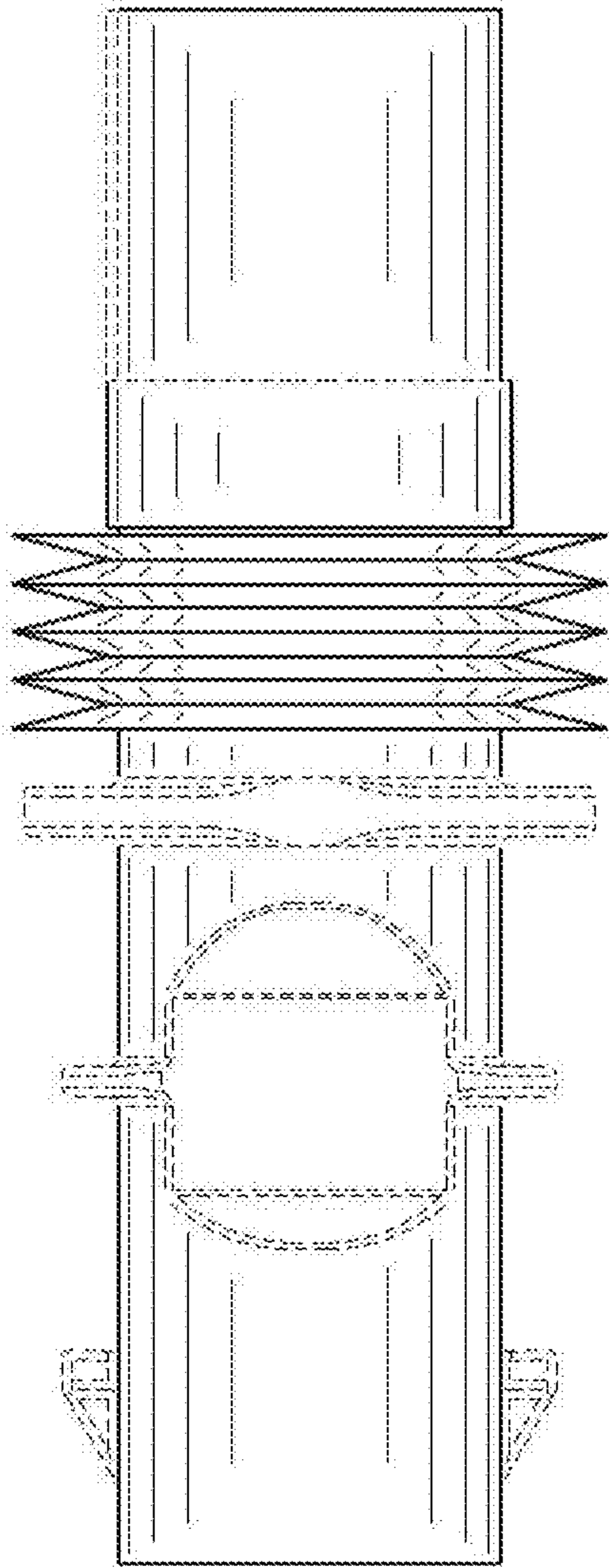


FIG. 7

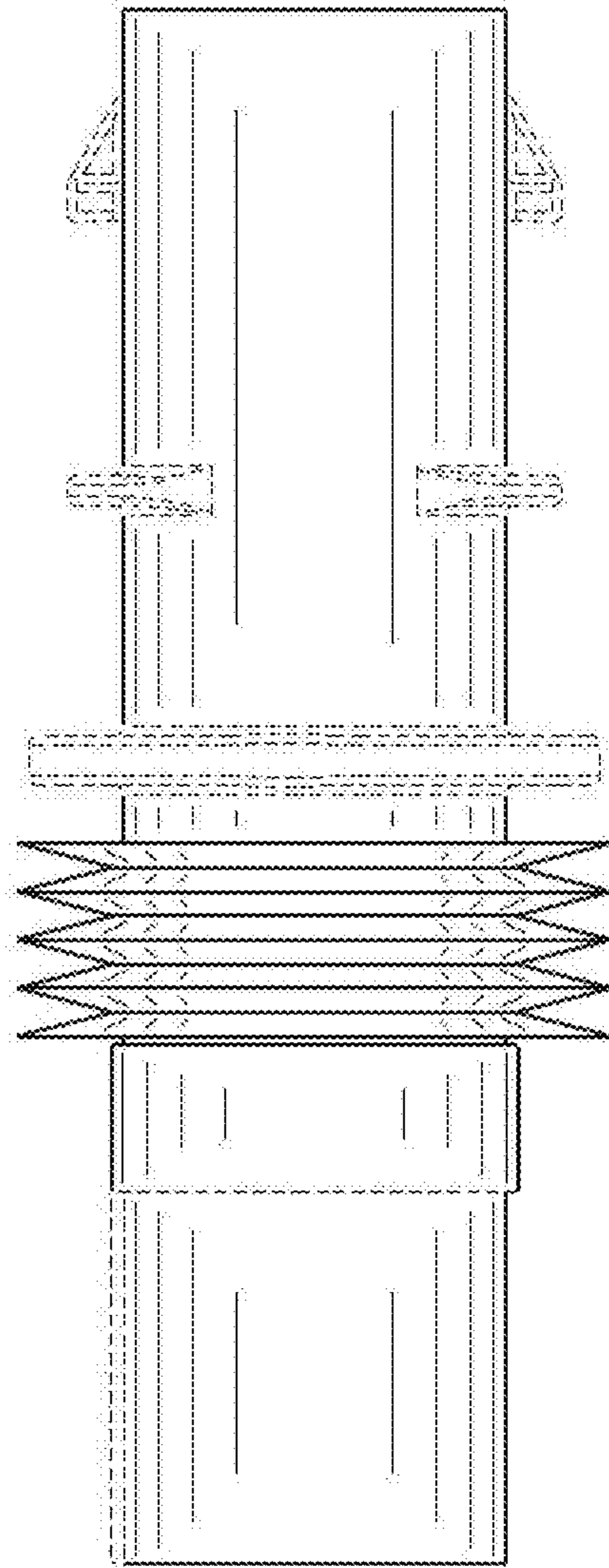


FIG. 8

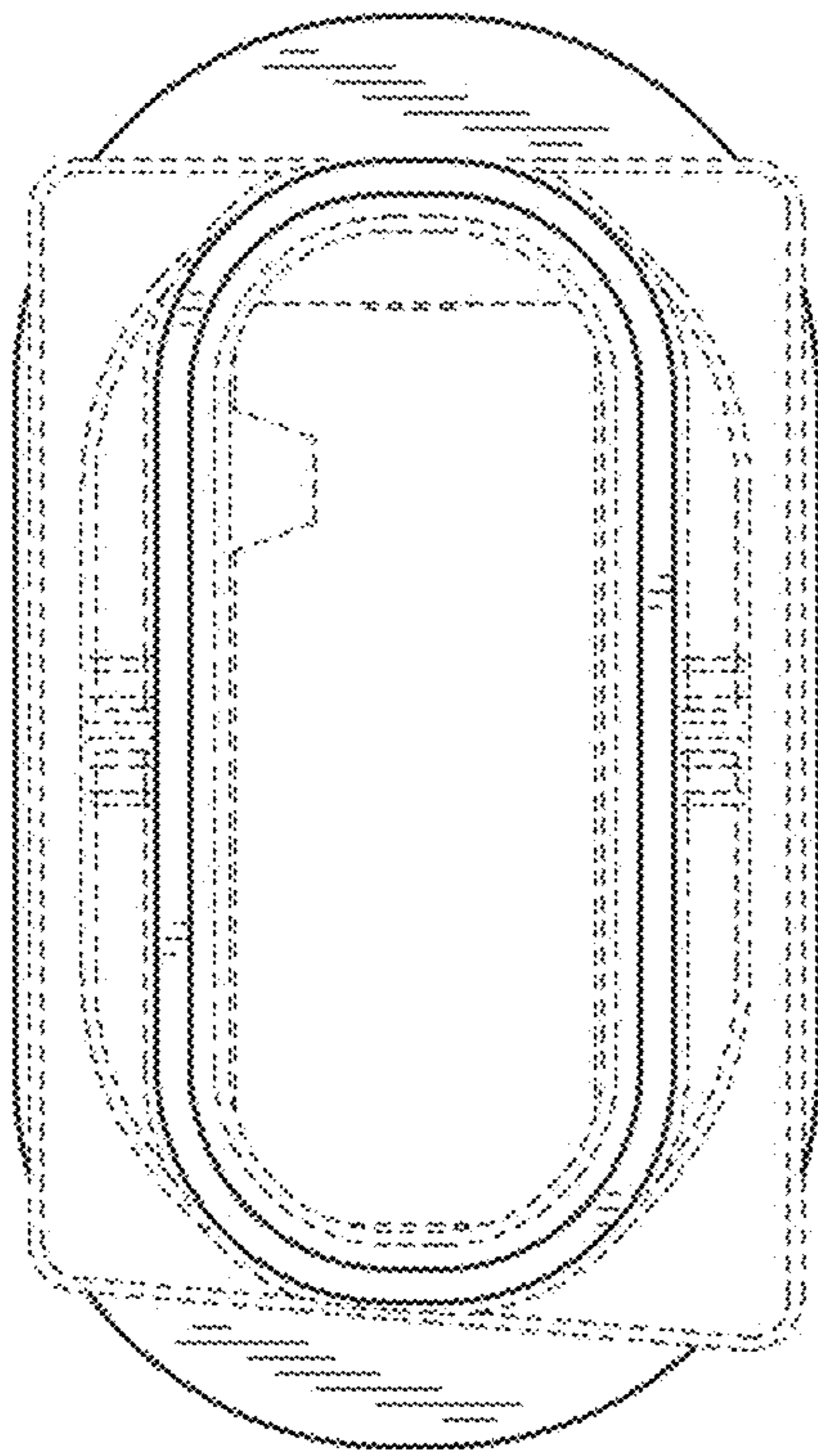


FIG. 9

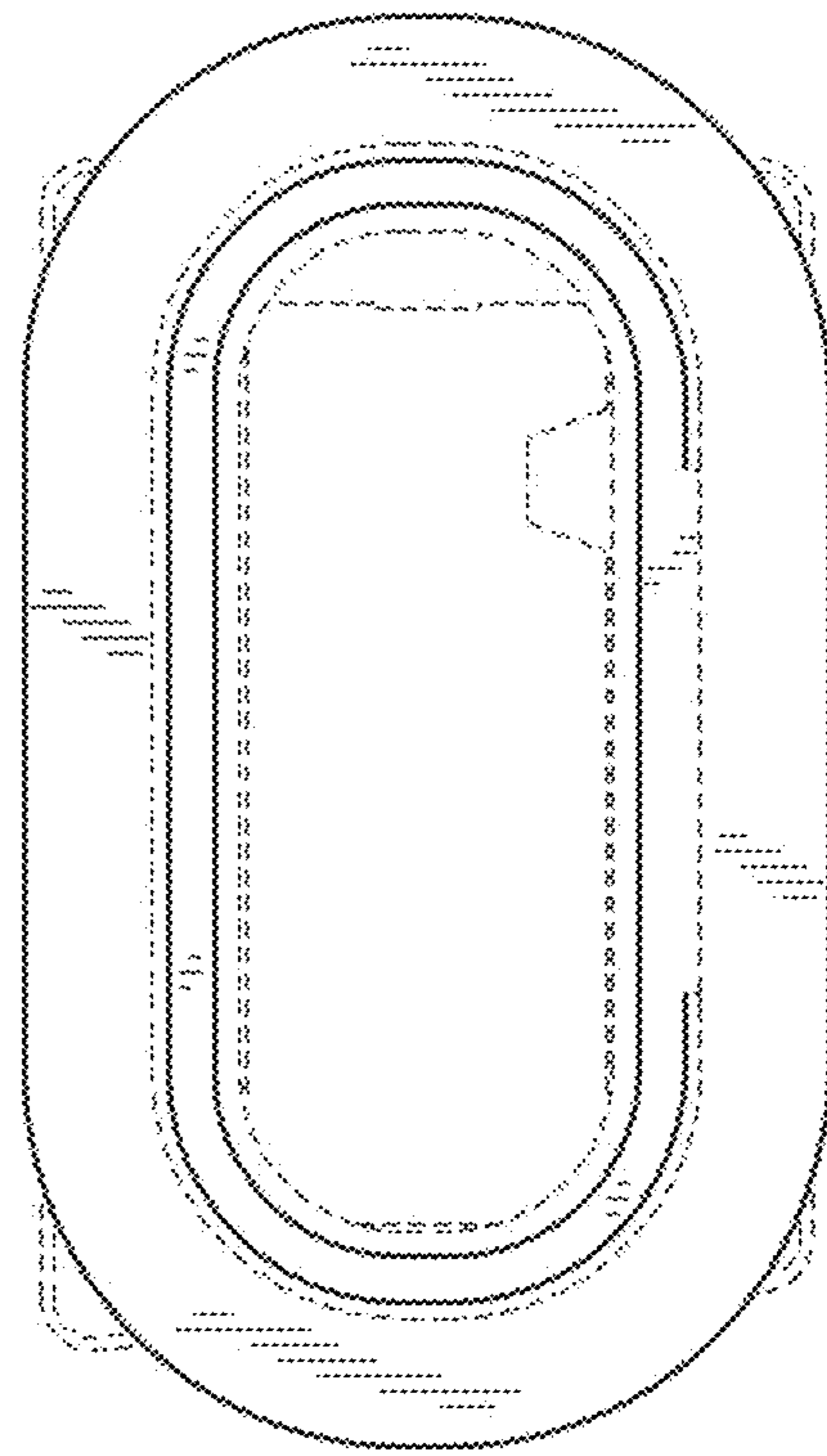


FIG. 10

UNITED STATES PATENT AND TRADEMARK OFFICE
CERTIFICATE OF CORRECTION

PATENT NO. : D951,866 S
APPLICATION NO. : 29/771667
DATED : May 17, 2022
INVENTOR(S) : Nicholas E. Elison et al.

Page 1 of 1

It is certified that error appears in the above-identified patent and that said Letters Patent is hereby corrected as shown below:

On the Title Page

1. In Column 1, below "Related U.S. Application Data", delete Item "(60)" and insert Item -- (62) --, therefor.

2. In Item (60), under "Related U.S. Application Data", in Column 1, Line 4, delete "10,249,916." and insert -- 10,249,916 which is a provisional of application No. 62/146,853, filed on Apr. 13, 2015. --, therefor.

Signed and Sealed this
Thirtieth Day of April, 2024
Katherine Kelly Vidal

Katherine Kelly Vidal
Director of the United States Patent and Trademark Office