



US00D951863S

(12) **United States Design Patent**  
**Jiang**

(10) **Patent No.:** **US D951,863 S**

(45) **Date of Patent:** **\*\* May 17, 2022**

(54) **WIRELESS CHARGER**

FOREIGN PATENT DOCUMENTS

(71) Applicant: **CYSPO TECHNOLOGY (SHEN ZHEN) CO., LTD.**, Shenzhen (CN)

CN 202030319952.6 \* 10/2020  
CN 202130508861.1 \* 11/2021

(72) Inventor: **Ping Jiang**, Shenzhen (CN)

OTHER PUBLICATIONS

(\*\*) Term: **15 Years**

“Anker PowerWave Wireless Charger”. Found online Dec. 2, 2021 at amazon.com. Reference dated May 19, 2018. Retrieved from <https://www.amazon.com/Anker-PowerWave-Qi-Certified-Compatible-Qi-Enabled/dp/B07DBXNV58>. (Year: 2018).\*

(21) Appl. No.: **29/778,571**

(Continued)

(22) Filed: **Apr. 14, 2021**

(51) **LOC (13) Cl.** ..... **13-02**

(52) **U.S. Cl.**  
USPC ..... **D13/108**

(58) **Field of Classification Search**  
USPC ..... D13/103, 107, 108, 118, 119, 183;  
D14/251, 253, 432, 434, 447; D6/682,  
D6/682.1, 682.5  
CPC ..... H02J 15/00; H02J 7/0044; H04B 1/3877  
See application file for complete search history.

*Primary Examiner* — Kendra Leslie Hamilton  
*Assistant Examiner* — Amanda Christensen

(57) **CLAIM**

The ornamental design for a wireless charger, as shown and described.

**DESCRIPTION**

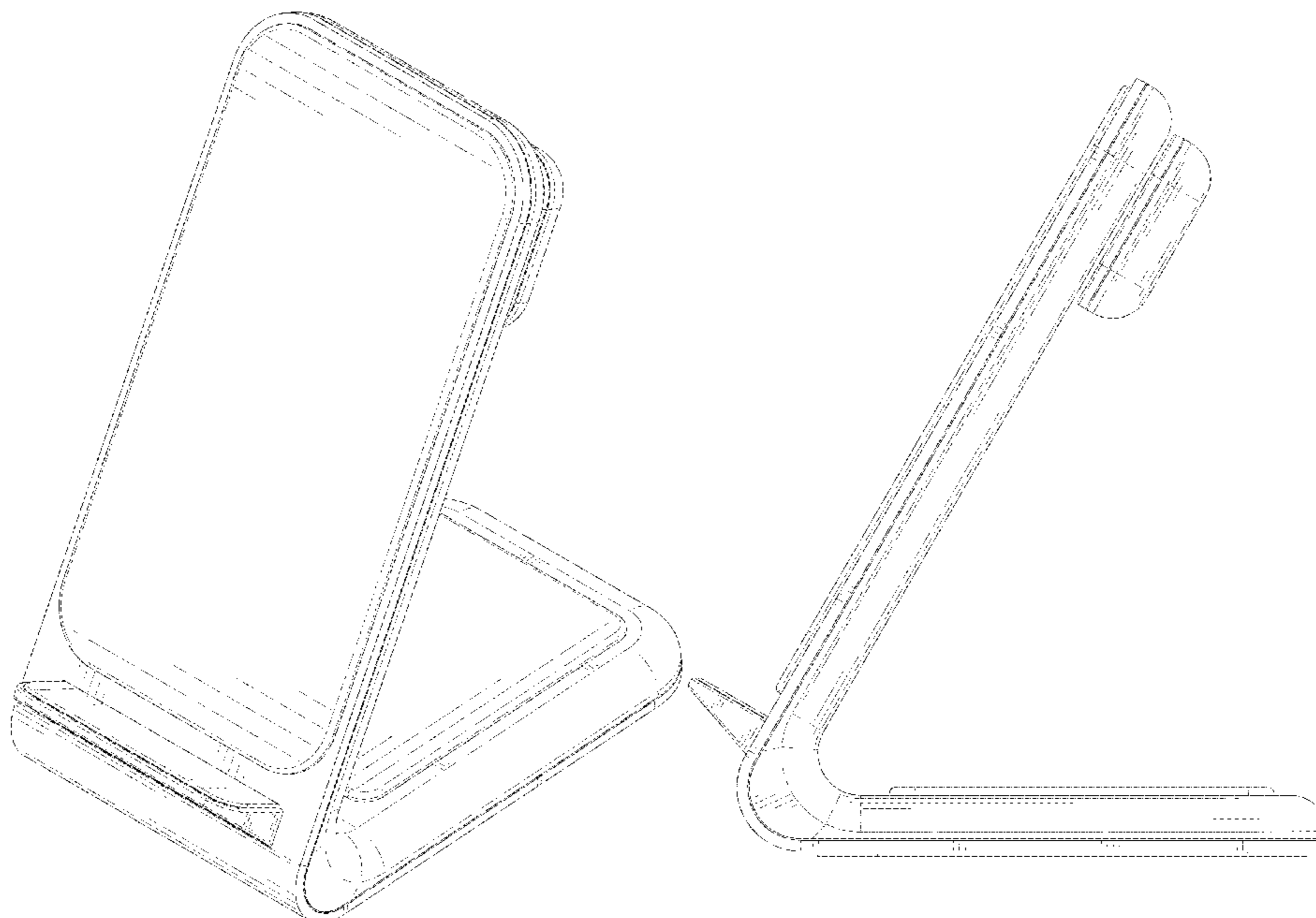
(56) **References Cited**

U.S. PATENT DOCUMENTS

D688,235 S *	8/2013	Song	.....	D14/253
D791,072 S *	7/2017	Hoehn	.....	D13/107
D812,564 S *	3/2018	Feng	.....	D13/108
D871,332 S *	12/2019	Liao	.....	D13/108
D880,418 S *	4/2020	Zhang	.....	D13/108
D896,174 S *	9/2020	Li	.....	D13/108
D896,816 S *	9/2020	Qiu	.....	D14/434
D904,297 S	12/2020	Zhao	.....	
D915,276 S *	4/2021	Peng	.....	D13/108
D931,208 S *	9/2021	Liao	.....	D13/108
D931,209 S *	9/2021	Hahn	.....	D13/108
2015/0171649 A1 *	6/2015	Kim	.....	H02J 7/0044 320/114
2015/0188356 A1 *	7/2015	Chen	.....	H02J 50/90 320/108
2020/0052506 A1 *	2/2020	Green	.....	H02J 7/0027

FIG. 1 is a top, front, right side perspective view of a wireless charger, showing my new design closed, in a first configuration;  
FIG. 2 is a bottom, rear, left side perspective view thereof;  
FIG. 3 is a front elevation view thereof;  
FIG. 4 is a rear elevation view thereof;  
FIG. 5 is a left side elevation view thereof;  
FIG. 6 is a right side elevation view thereof;  
FIG. 7 is a top plan view thereof;  
FIG. 8 is a bottom plan view thereof; and,  
FIG. 9 is a bottom, rear, right side perspective view of the wireless charger of FIG. 1, shown open, in a second configuration and in a condition for use.  
The broken lines depict portions of the wireless charger that form no part of the claimed design.

**1 Claim, 9 Drawing Sheets**



(56)

**References Cited**

OTHER PUBLICATIONS

“Belkin Charge Dock”. Found online Feb. 10, 2021 at amazon.com. Reference dated Oct. 15, 2018. Retrieved from [https://www.amazon.com/Belkin-Powerhouse-Charge-iPhone-Charging/dp/B07HMBQL58/ref=psdc\\_2407761011\\_t3\\_B081J53ZRQ](https://www.amazon.com/Belkin-Powerhouse-Charge-iPhone-Charging/dp/B07HMBQL58/ref=psdc_2407761011_t3_B081J53ZRQ). (Year: 2018).\*

“Samsung Fast Charge Wireless Charger Stand”. Found online Feb. 10, 2021 at amazon.com. Reference dated Aug. 8, 2019. Retrieved from <https://www.amazon.com/Samsung-Charge-Wireless-Charger-Stand/dp/B07VG9JMG1>. (Year: 2019).\*

\* cited by examiner

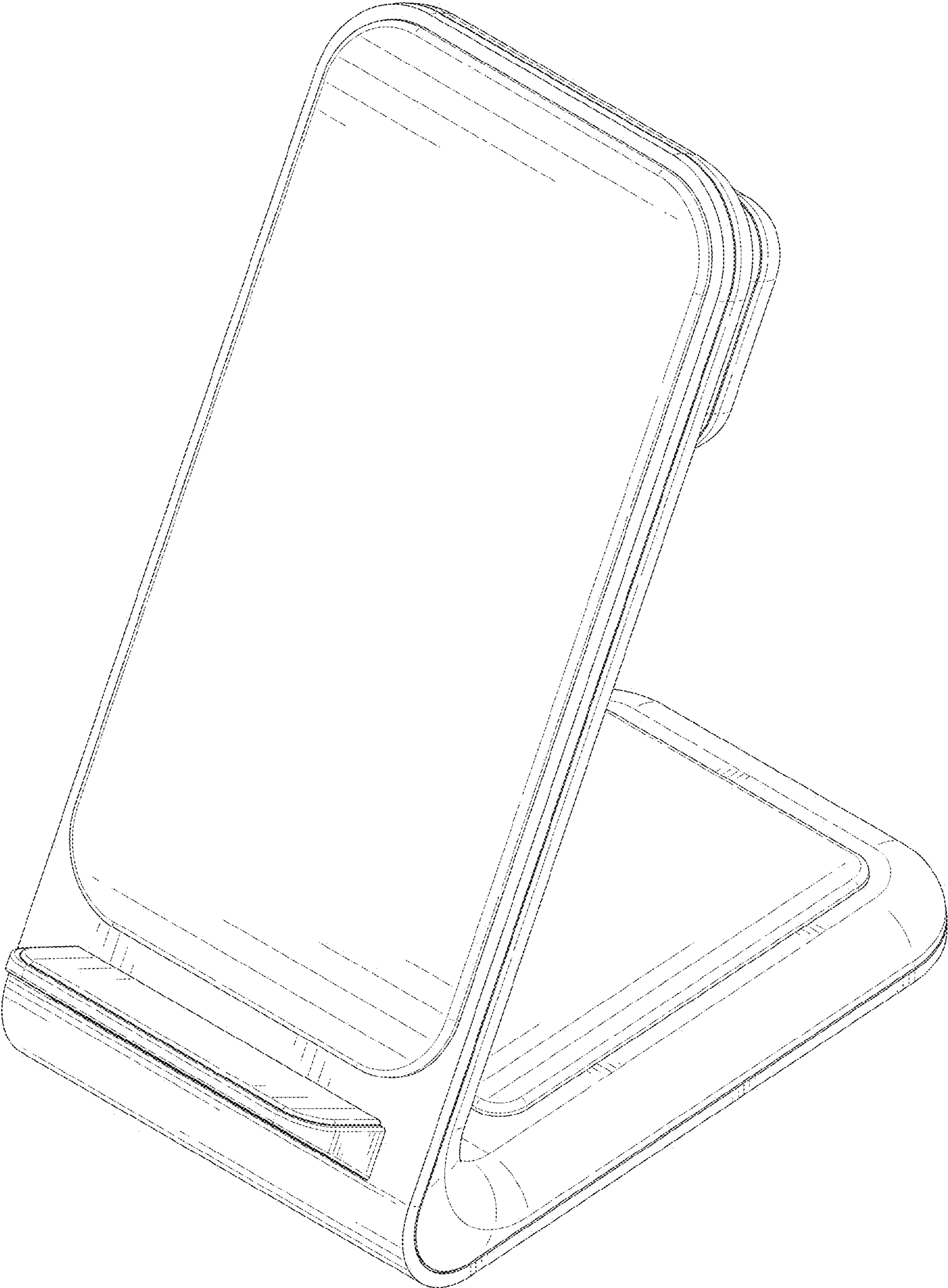


FIG. 1

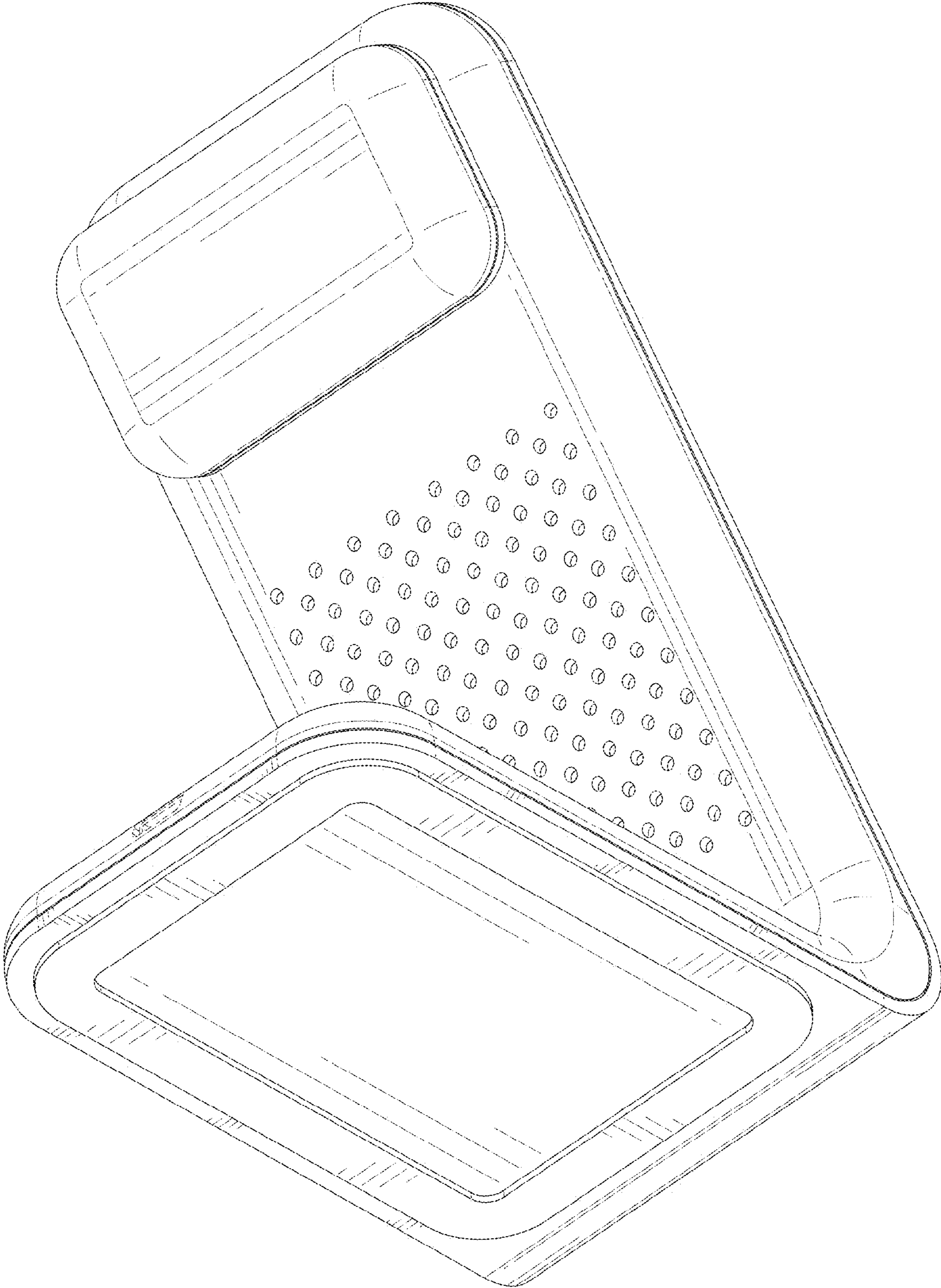


FIG. 2

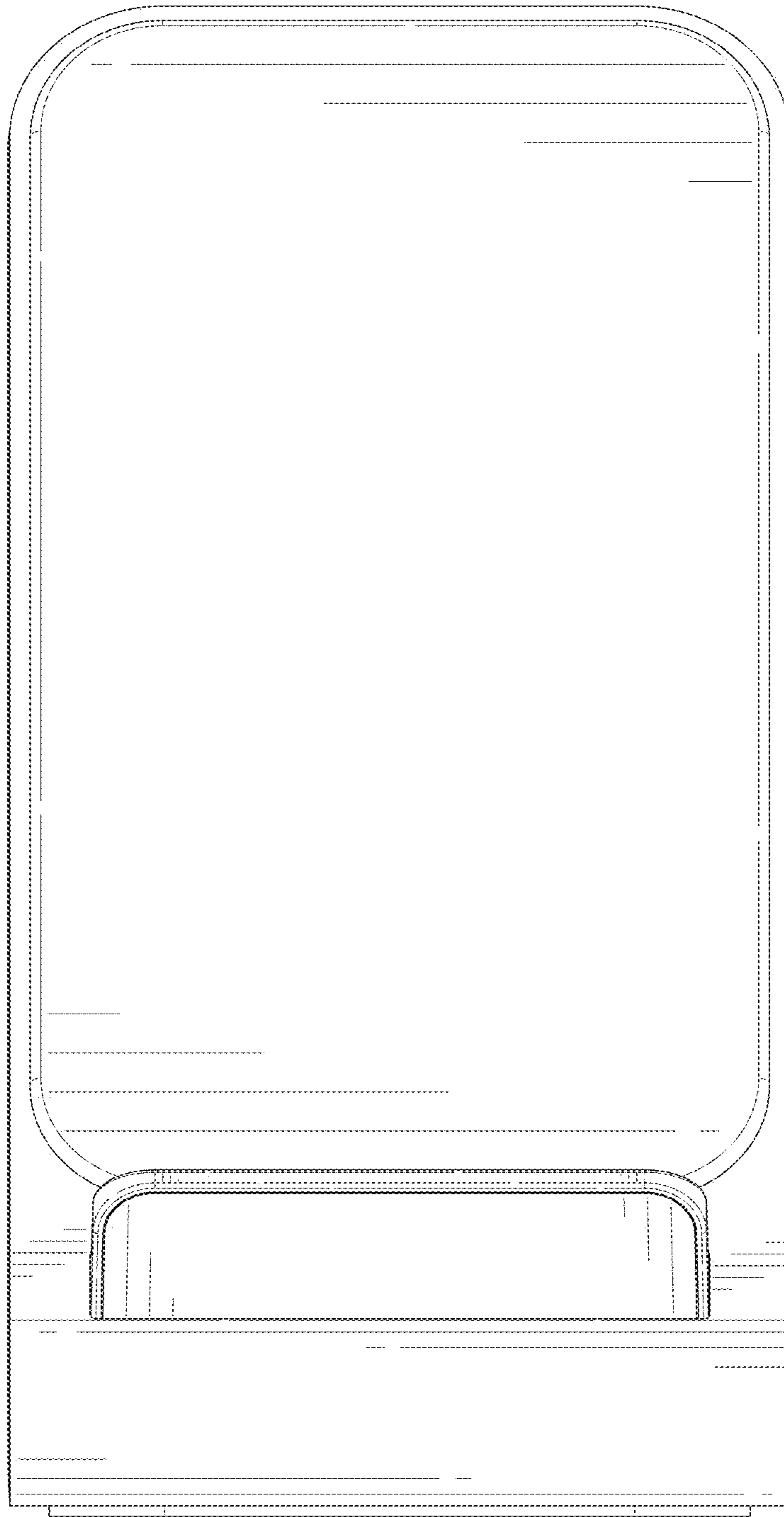


FIG. 3

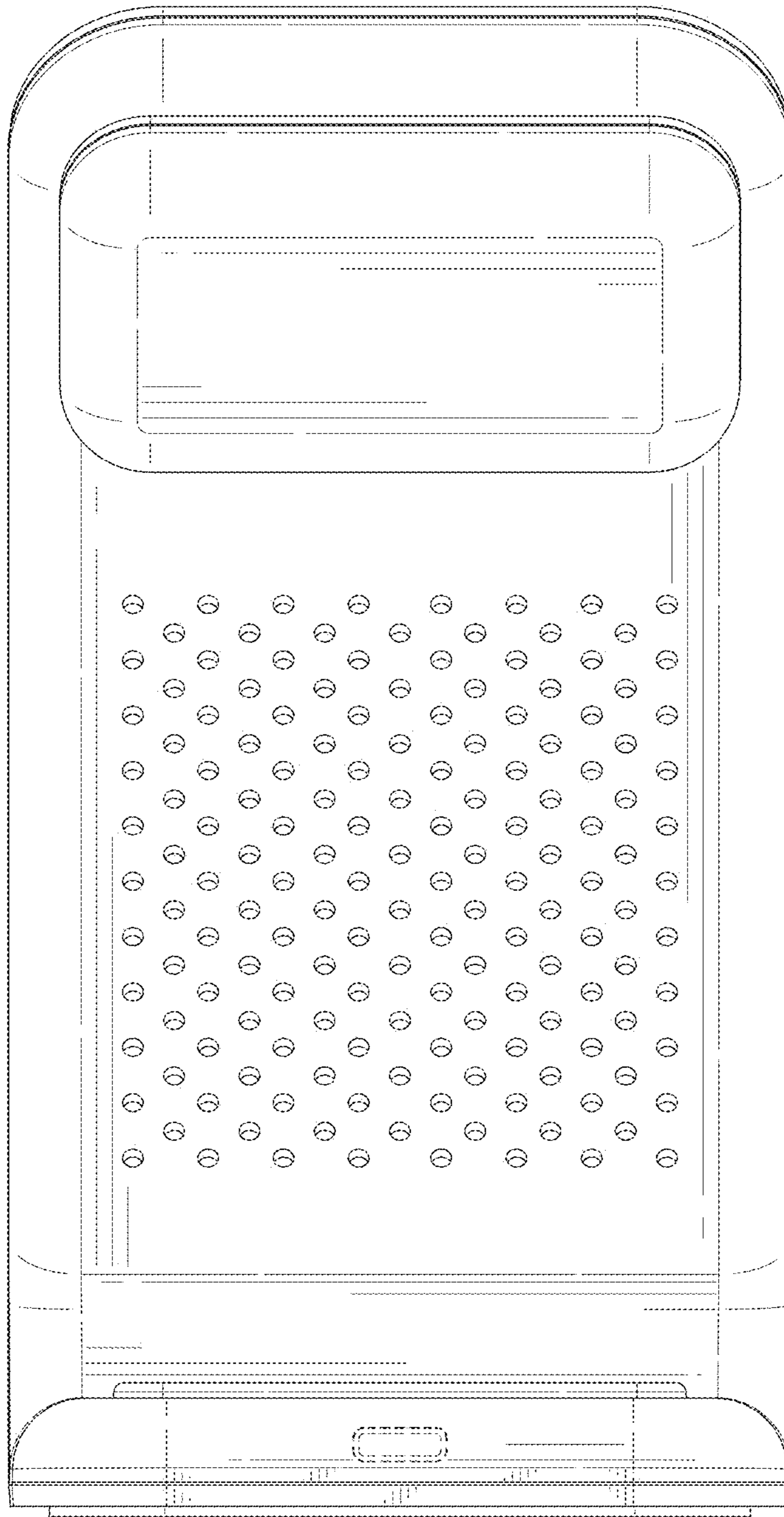


FIG. 4

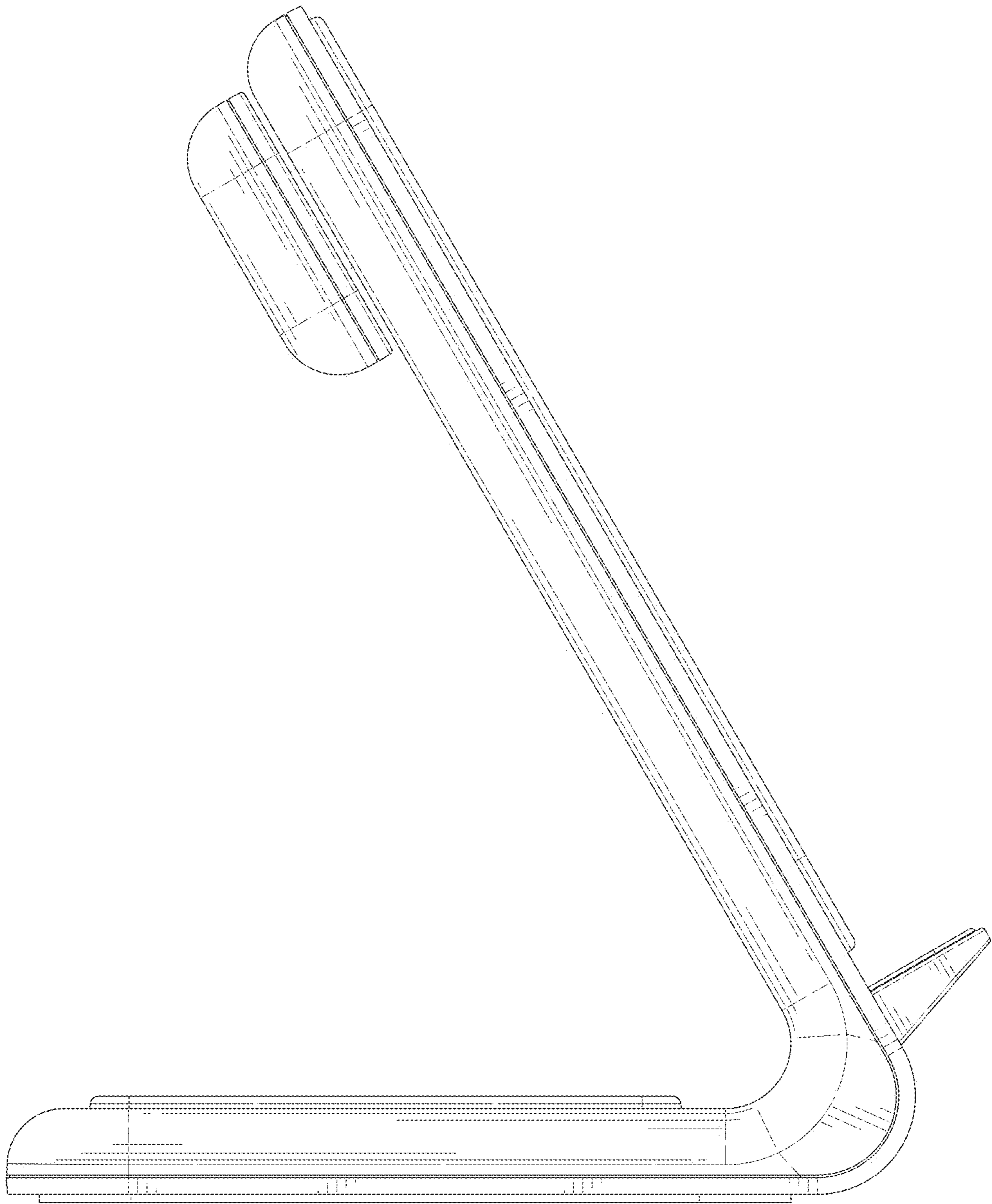


FIG. 5

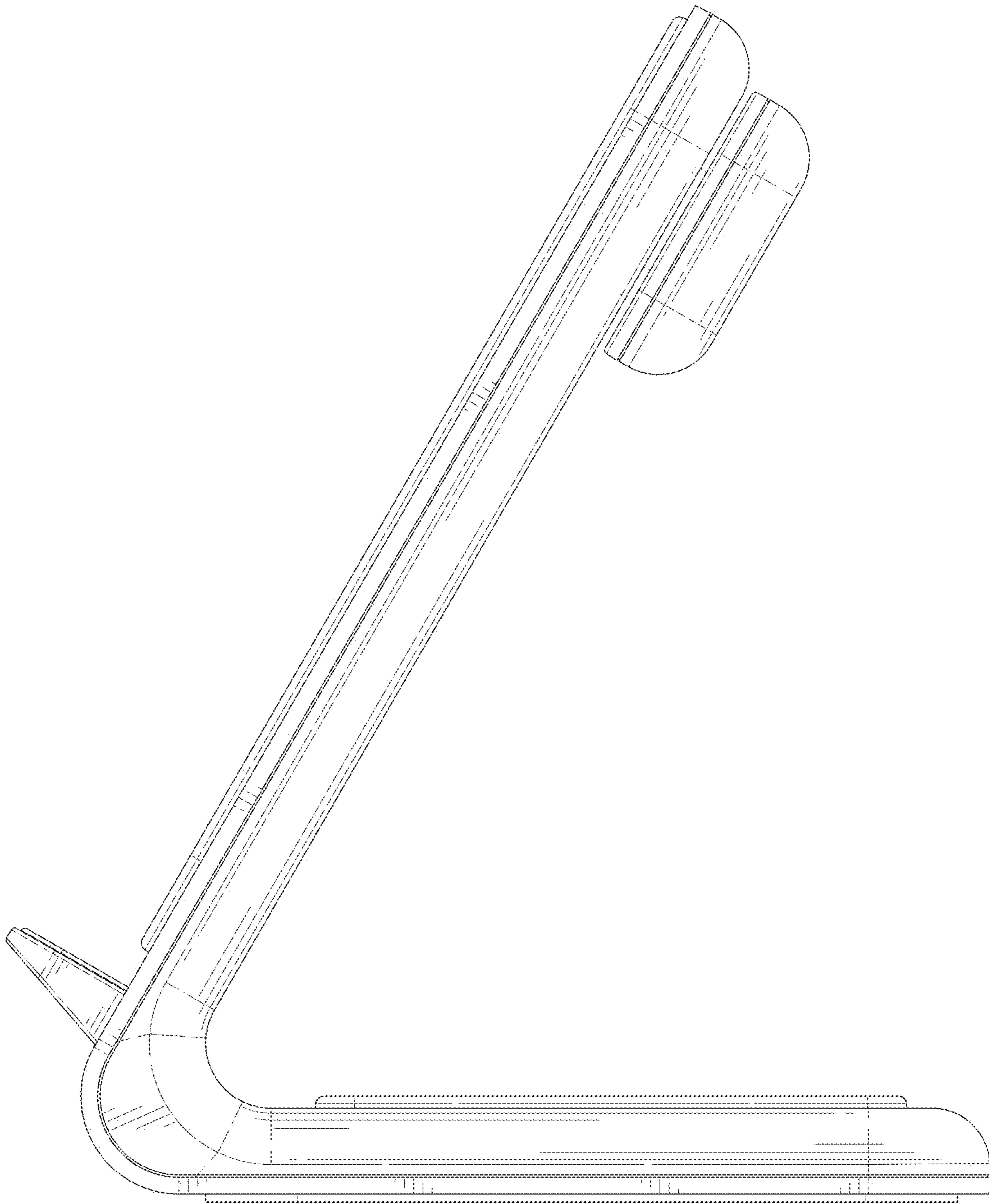


FIG. 6



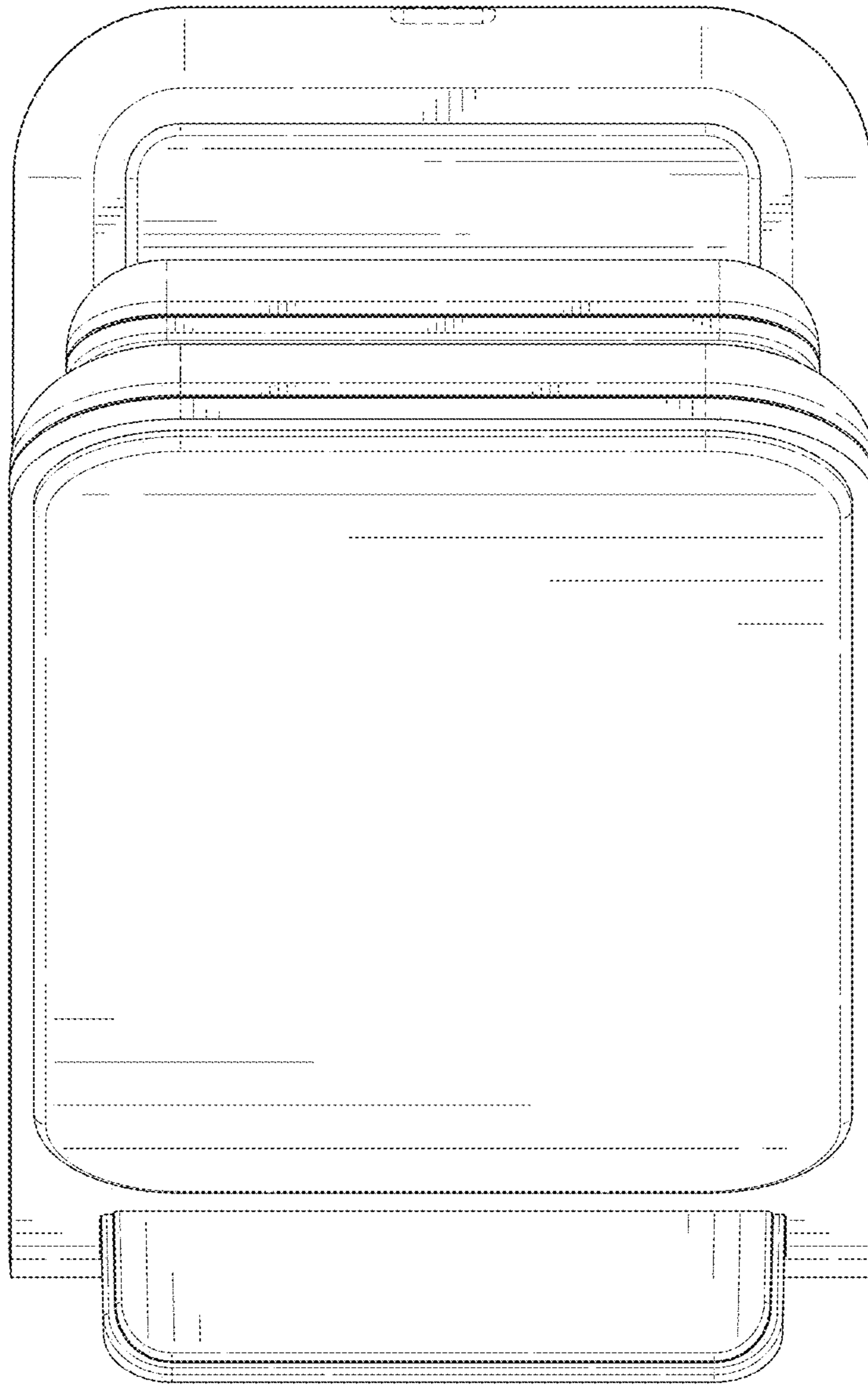


FIG. 7

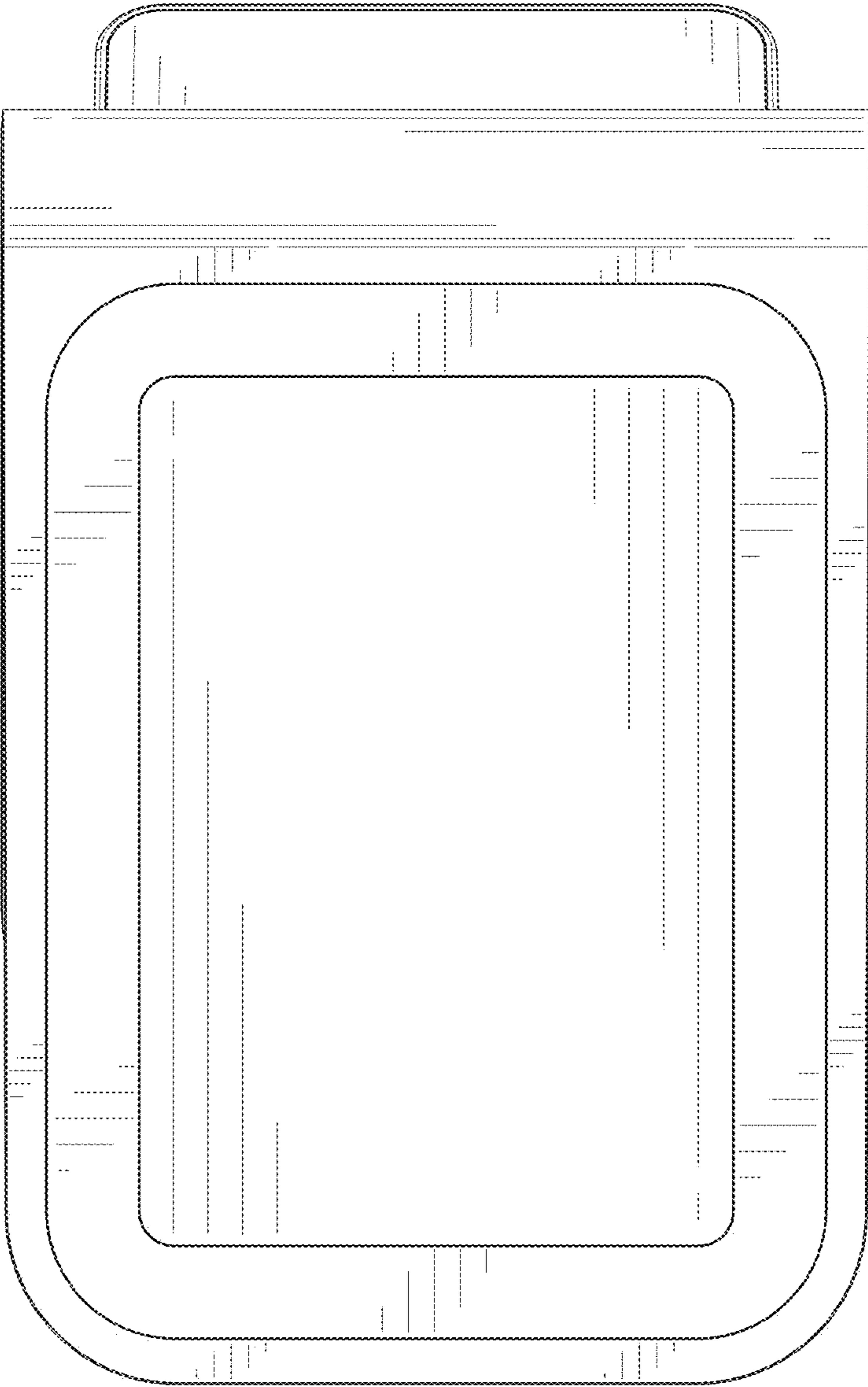


FIG. 8

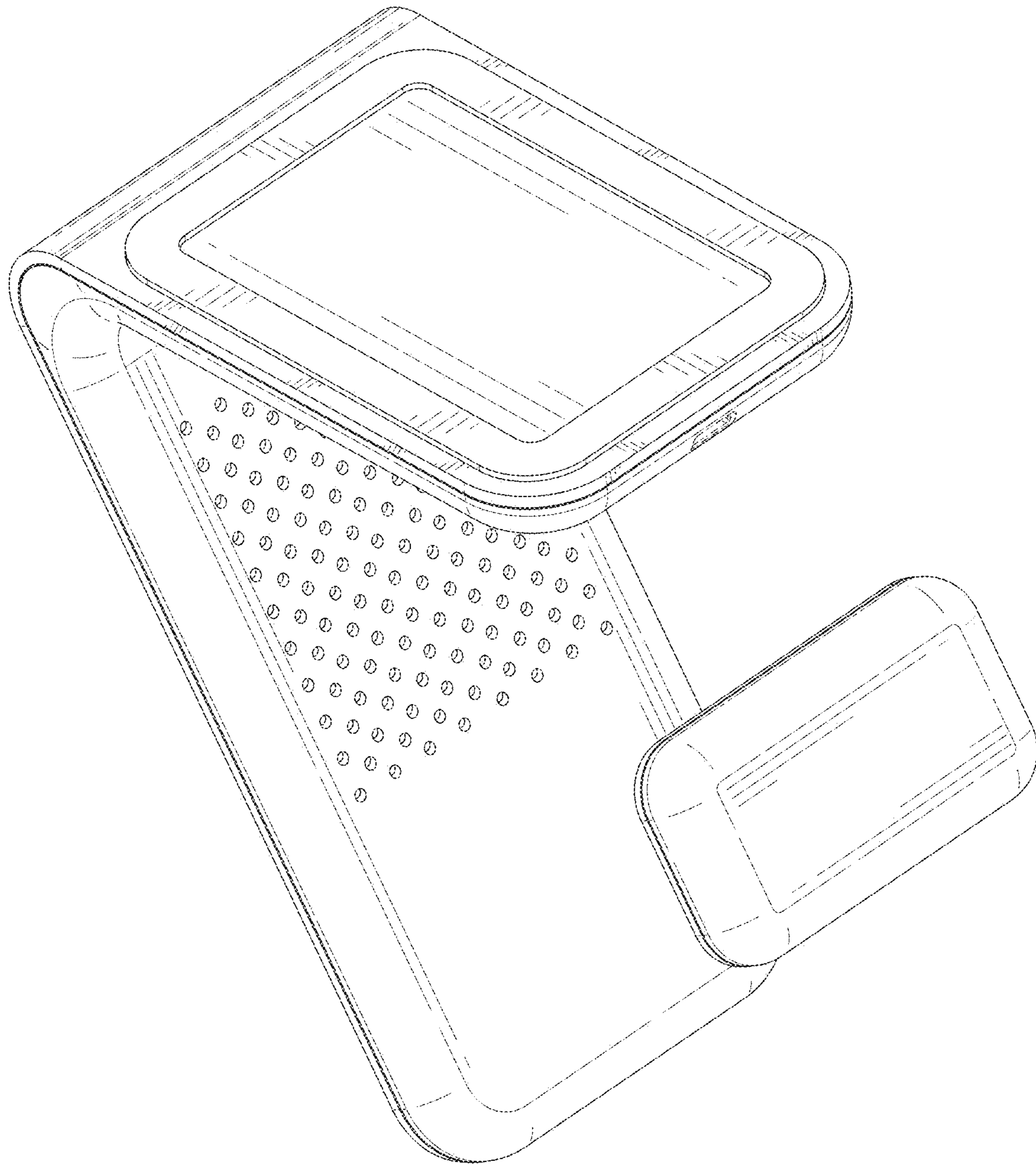


FIG. 9