



US00D951862S

(12) **United States Design Patent**
Xia

(10) **Patent No.:** **US D951,862 S**

(45) **Date of Patent:** **** May 17, 2022**

(54) **RECHARGEABLE BATTERY**

(71) Applicant: **Xiu Xia**, Hunan (CN)

(72) Inventor: **Xiu Xia**, Hunan (CN)

(**) Term: **15 Years**

(21) Appl. No.: **29/772,584**

(22) Filed: **Mar. 3, 2021**

(51) **LOC (13) Cl.** **13-02**

(52) **U.S. Cl.**
USPC **D13/103**

(58) **Field of Classification Search**
USPC D13/103–106, 110, 118–119, 184, 199
CPC .. H01M 10/05; H01M 10/052; H01M 10/054;
H01M 10/425; H01M 10/48; H01M
10/486; H01M 50/249; H01M 2220/30;
H01M 2250/30
See application file for complete search history.

(56) **References Cited**

U.S. PATENT DOCUMENTS

D588,058 S *	3/2009	Obata	D13/103
D594,403 S *	6/2009	Yang	D13/103
D681,550 S *	5/2013	Corbin	D13/103
D682,193 S *	5/2013	Corbin	D13/103
D682,194 S *	5/2013	Jiang	D13/103
D686,569 S *	7/2013	Lau	D13/103
D712,348 S *	9/2014	Zhang	D13/103

D712,826 S *	9/2014	Marino	D13/103
D818,948 S *	5/2018	Waldron	D13/103
D826,150 S *	8/2018	Cayon	D13/103
D835,573 S *	12/2018	Chen	D13/103
D856,273 S *	8/2019	Houghton	D13/103
D873,766 S *	1/2020	Ansehn	D13/103
D891,363 S *	7/2020	Roberts	D13/103
D898,662 S *	10/2020	Waldron	D13/103
D911,268 S *	2/2021	Matteo	D13/103
D922,939 S *	6/2021	Ye	D13/103
D924,795 S *	7/2021	Zhong	D13/103

* cited by examiner

Primary Examiner — Rosemary K Tarcza

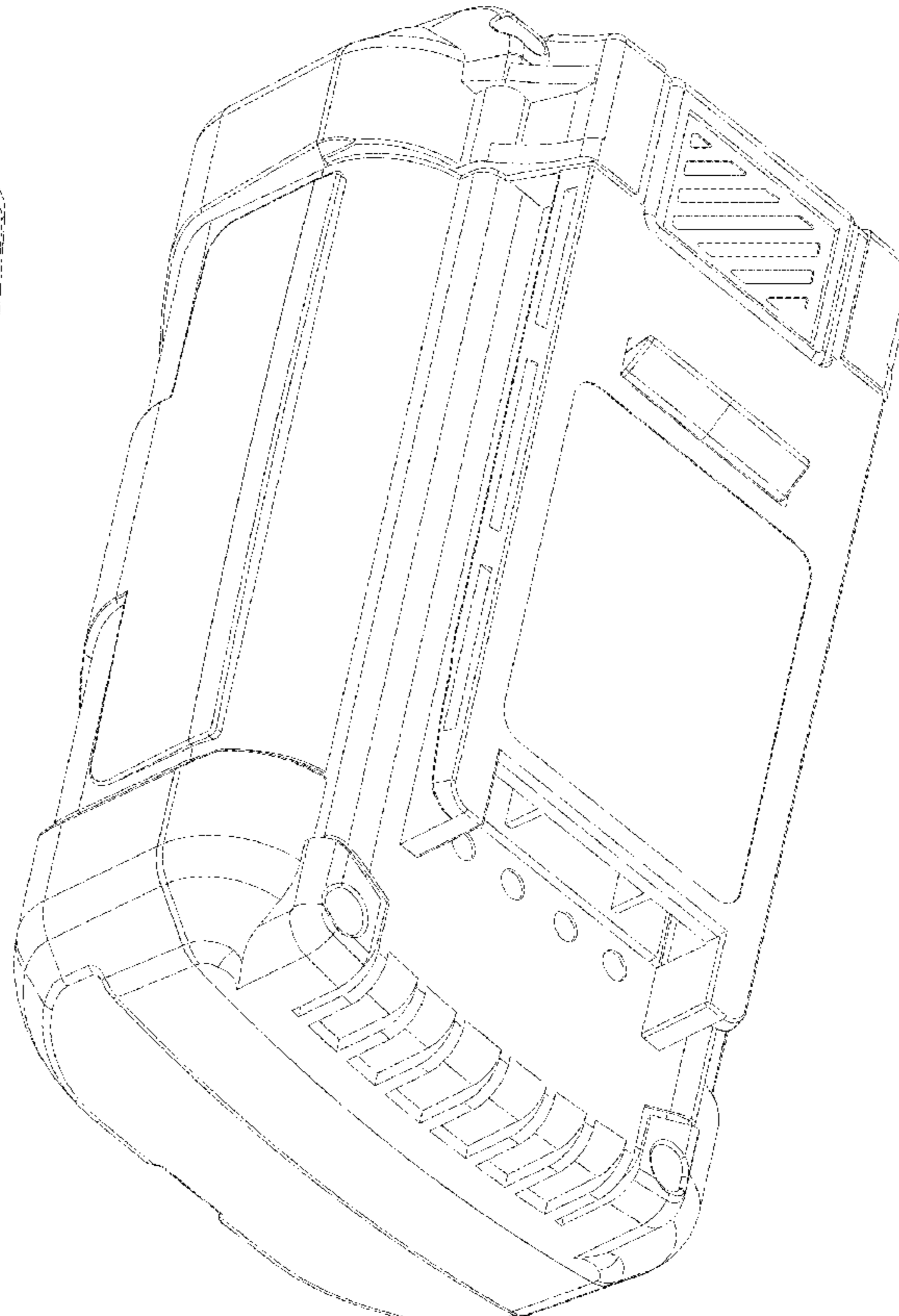
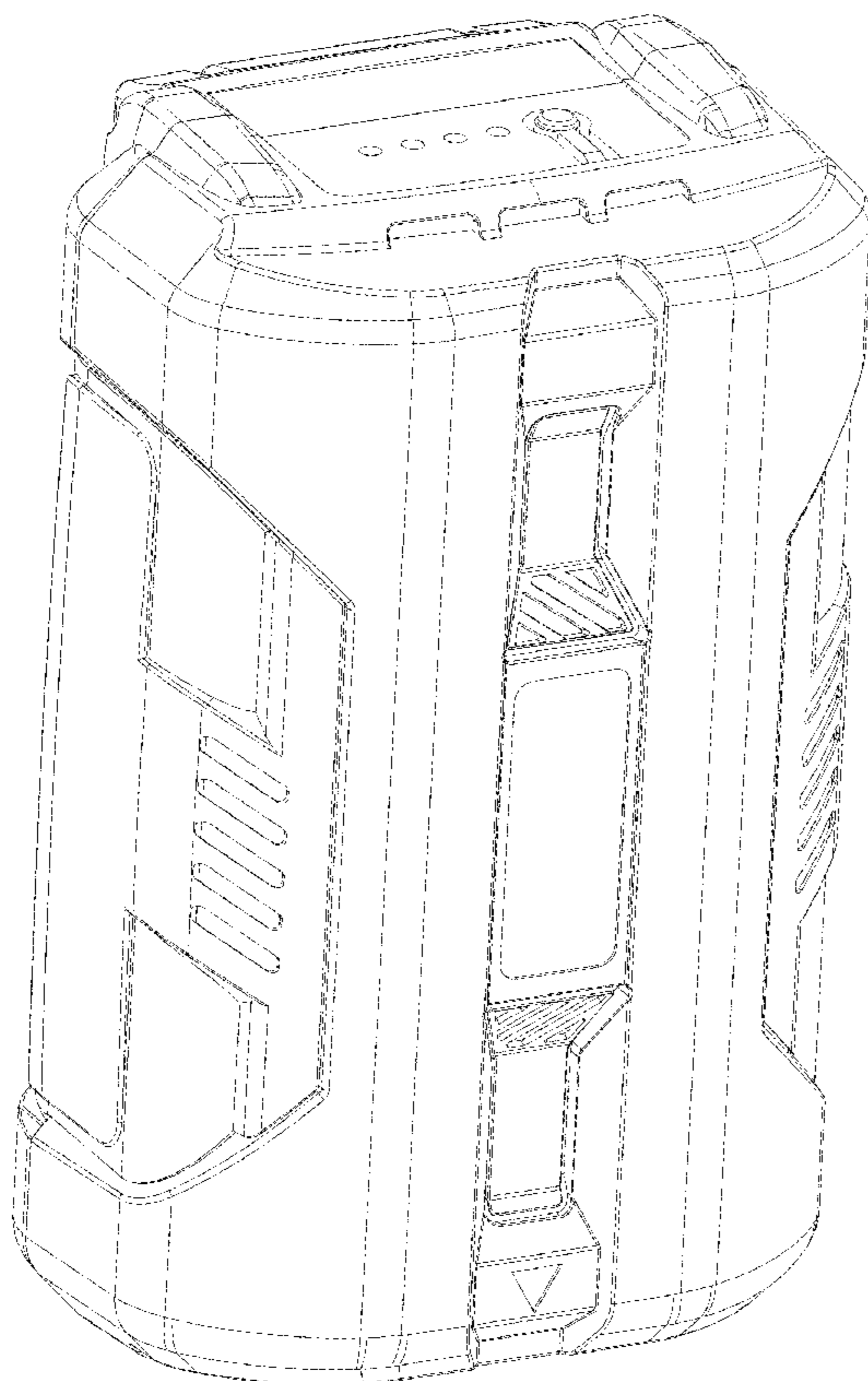
(57) **CLAIM**

The ornamental design for a rechargeable battery, as shown.

DESCRIPTION

FIG. 1 is a front elevational view of a rechargeable battery showing my new design;
FIG. 2 is a rear elevational view thereof;
FIG. 3 is a left side view thereof;
FIG. 4 is a right side view thereof;
FIG. 5 is a top plan view thereof;
FIG. 6 is a bottom plan view thereof;
FIG. 7 is a perspective view thereof;
FIG. 8 is second perspective view thereof;
FIG. 9 is third perspective view thereof;
FIG. 10 is fourth perspective view thereof; and,
FIG. 11 is fifth perspective view thereof.

1 Claim, 11 Drawing Sheets



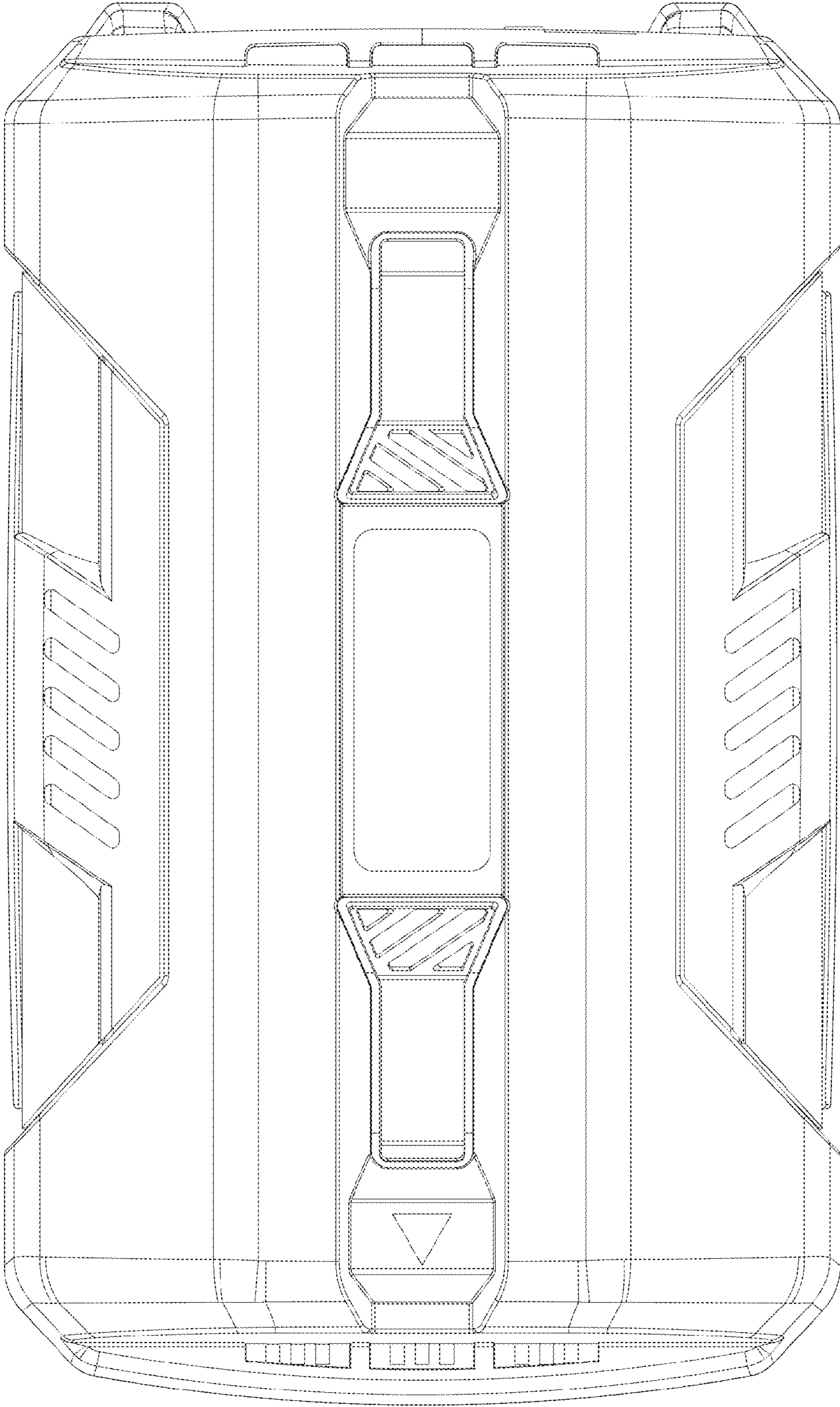


FIG. 1

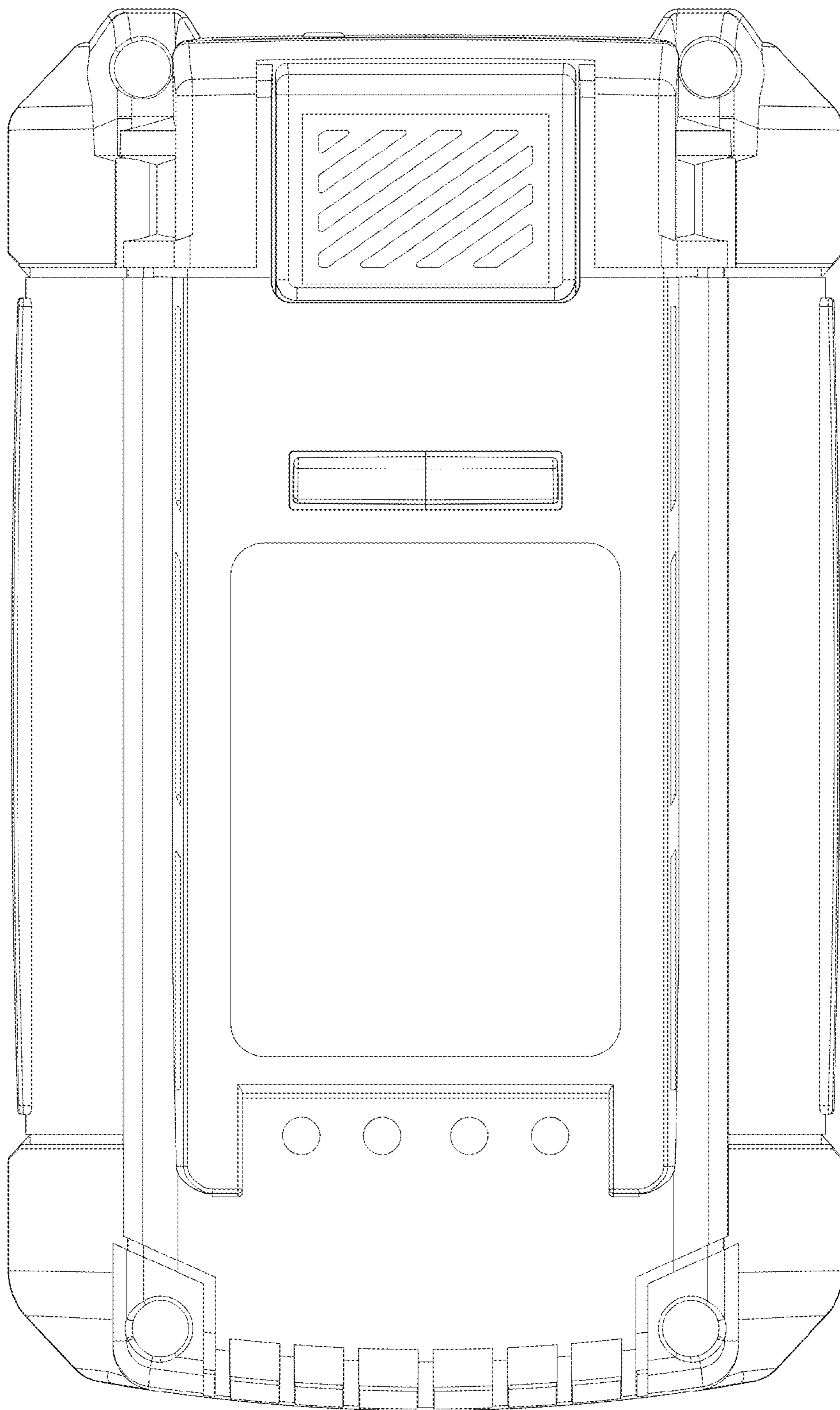


FIG. 2

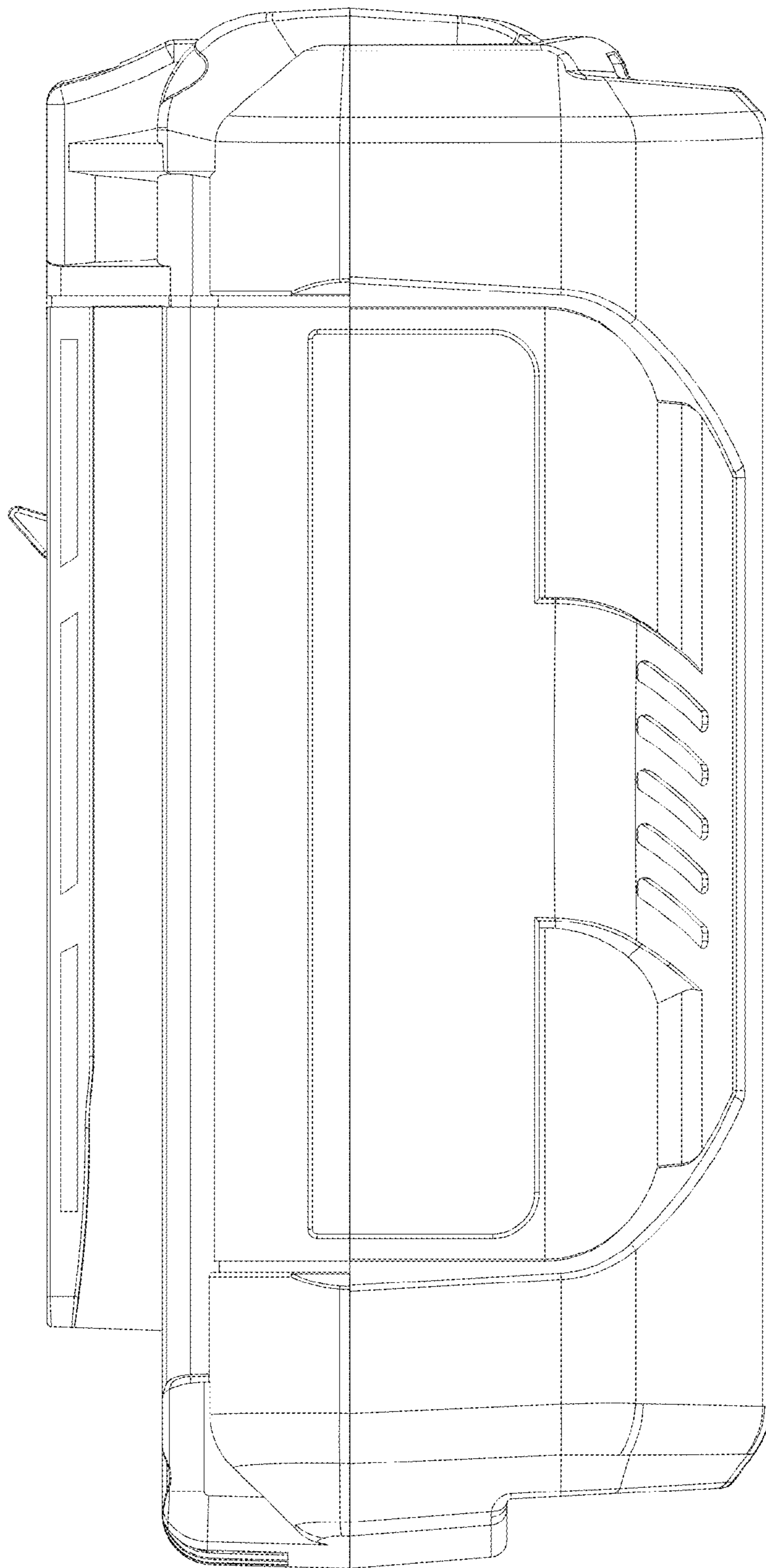


FIG. 3

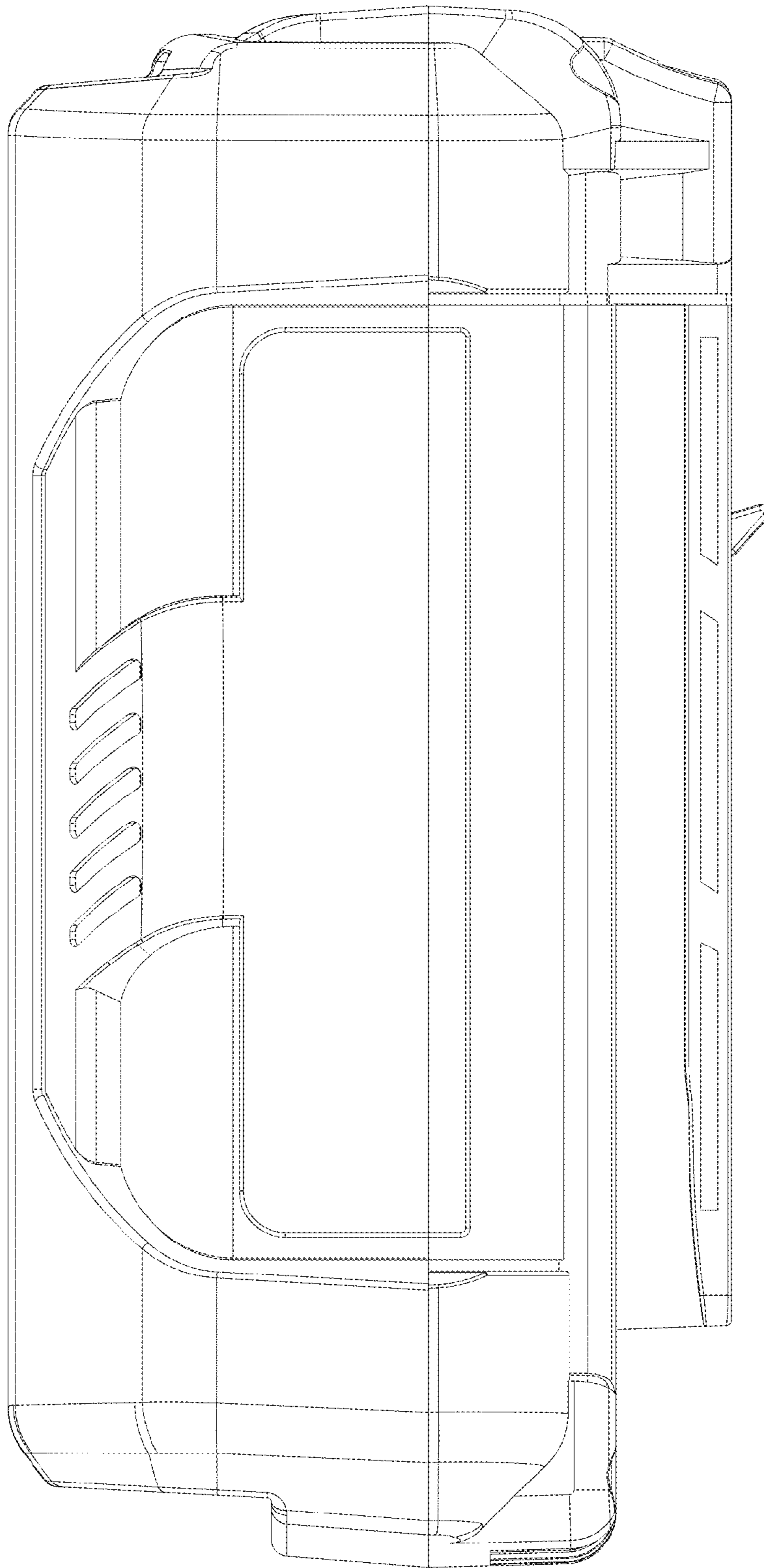


FIG. 4

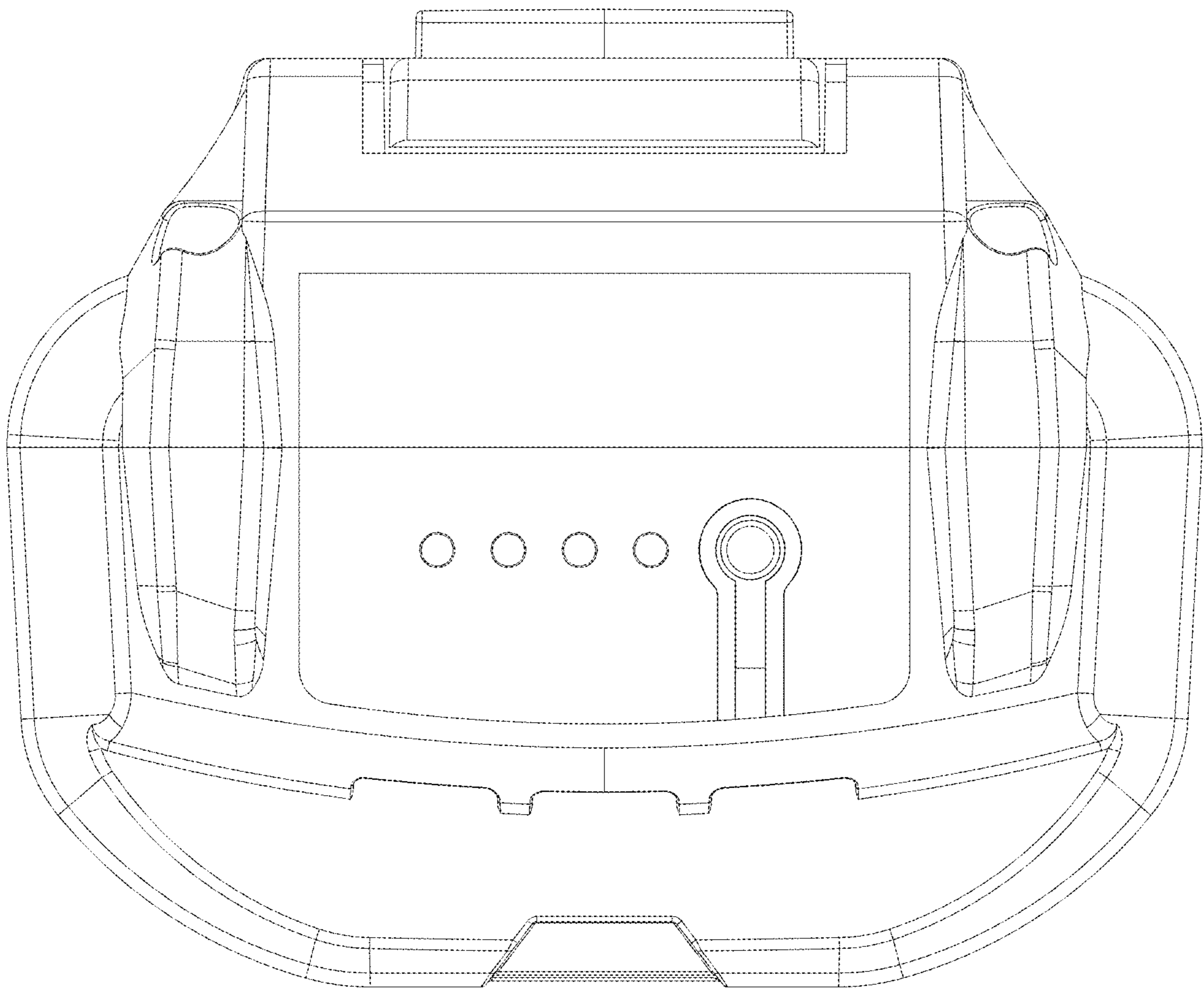


FIG. 5

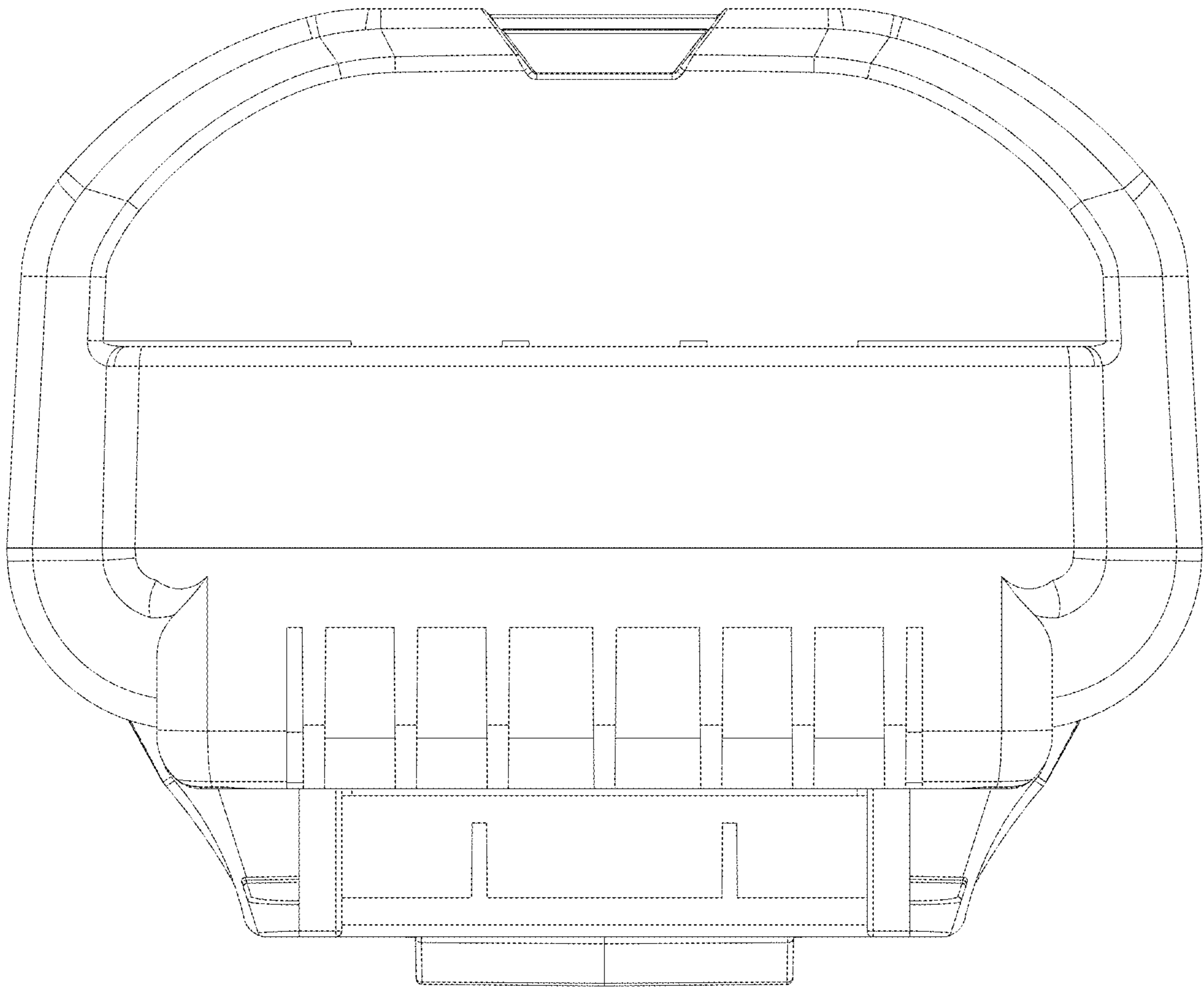


FIG. 6

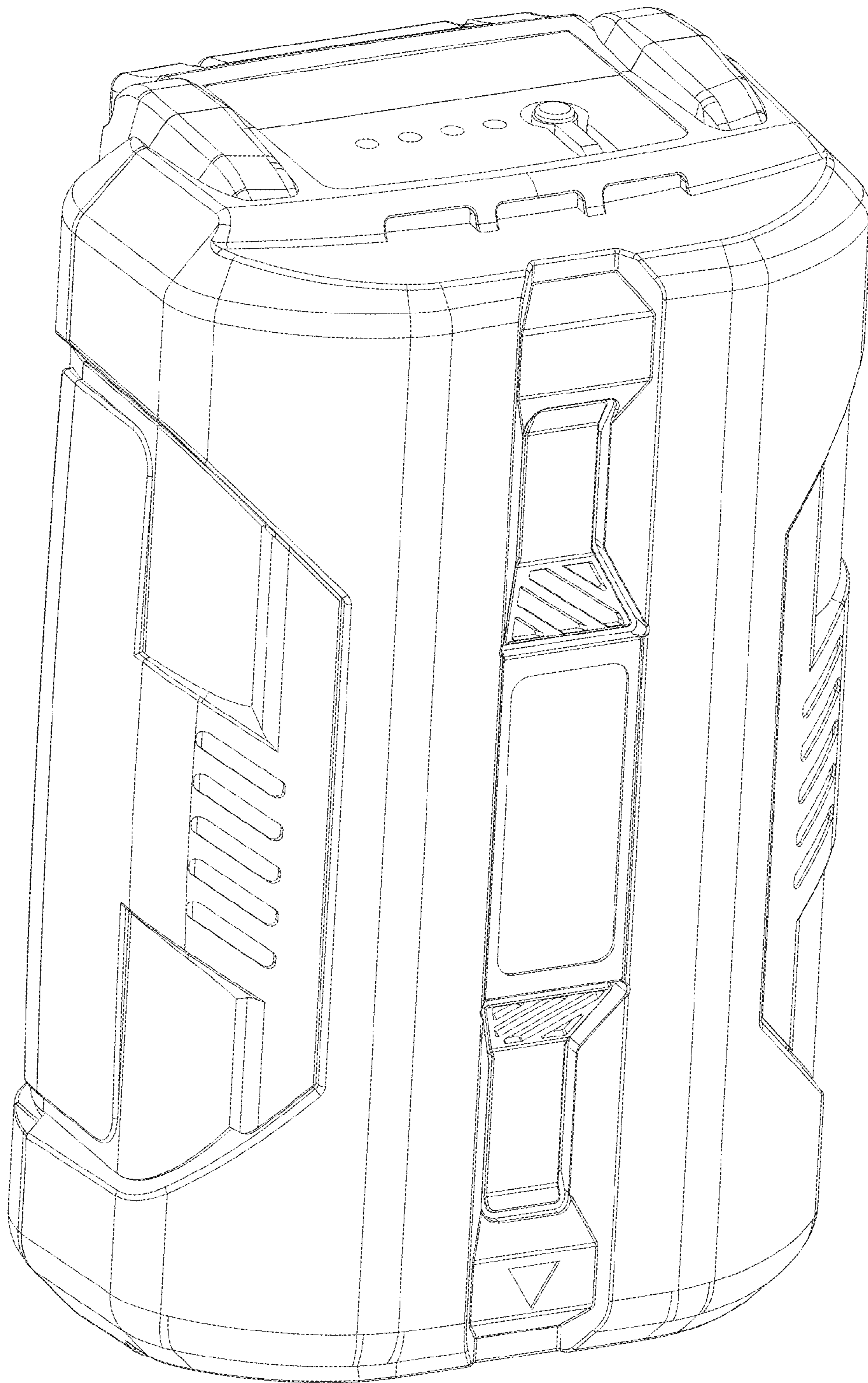


FIG. 7

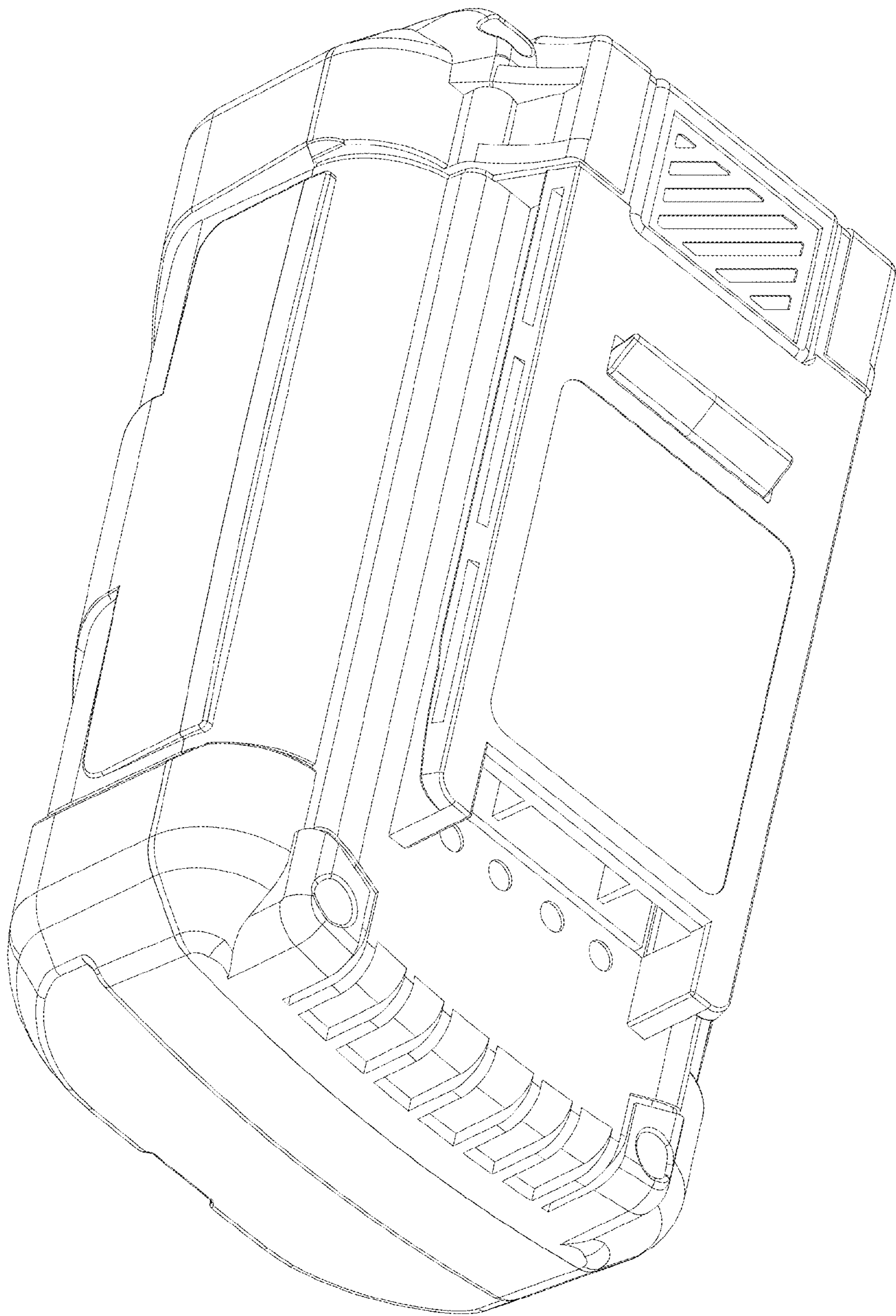


FIG. 8

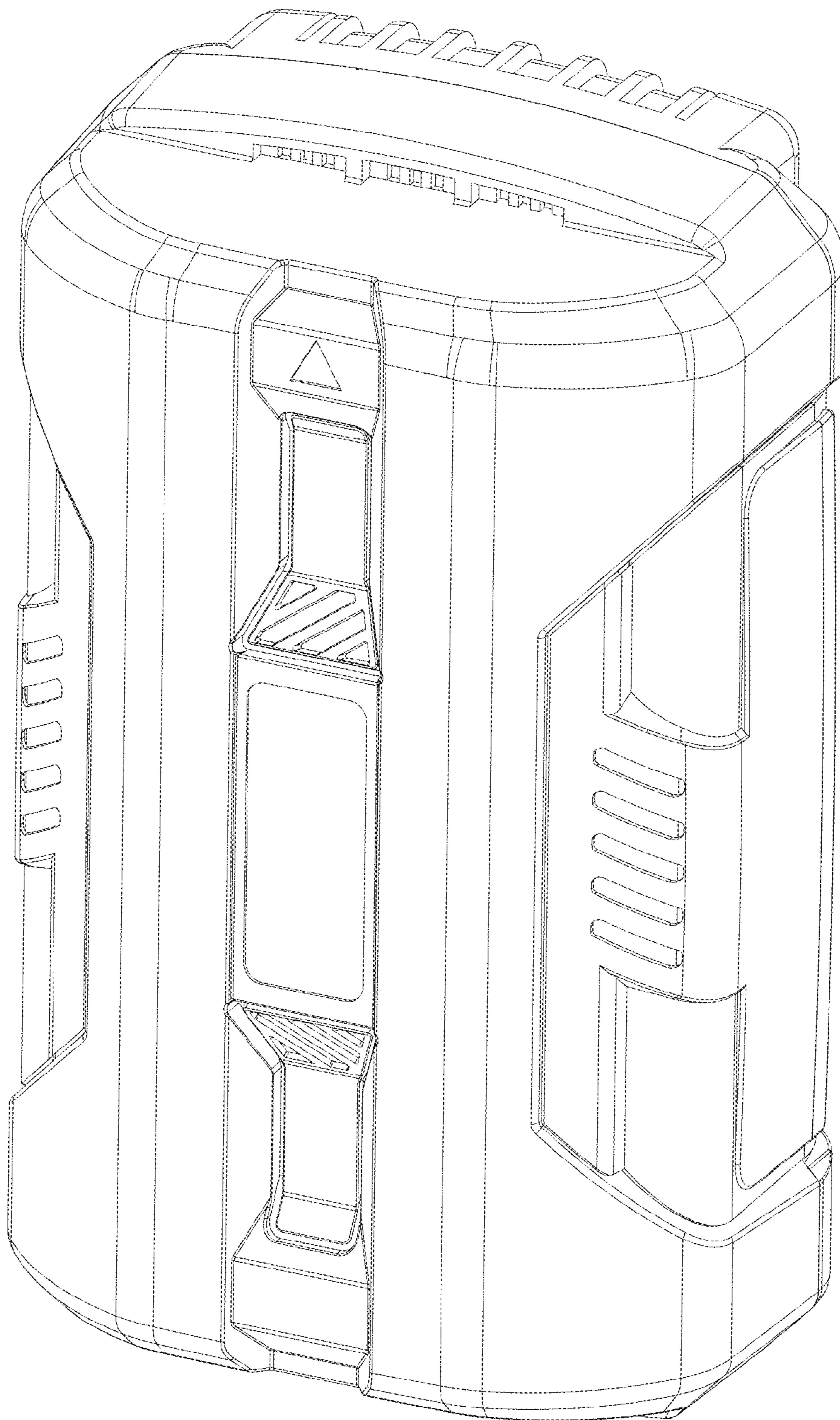


FIG. 9

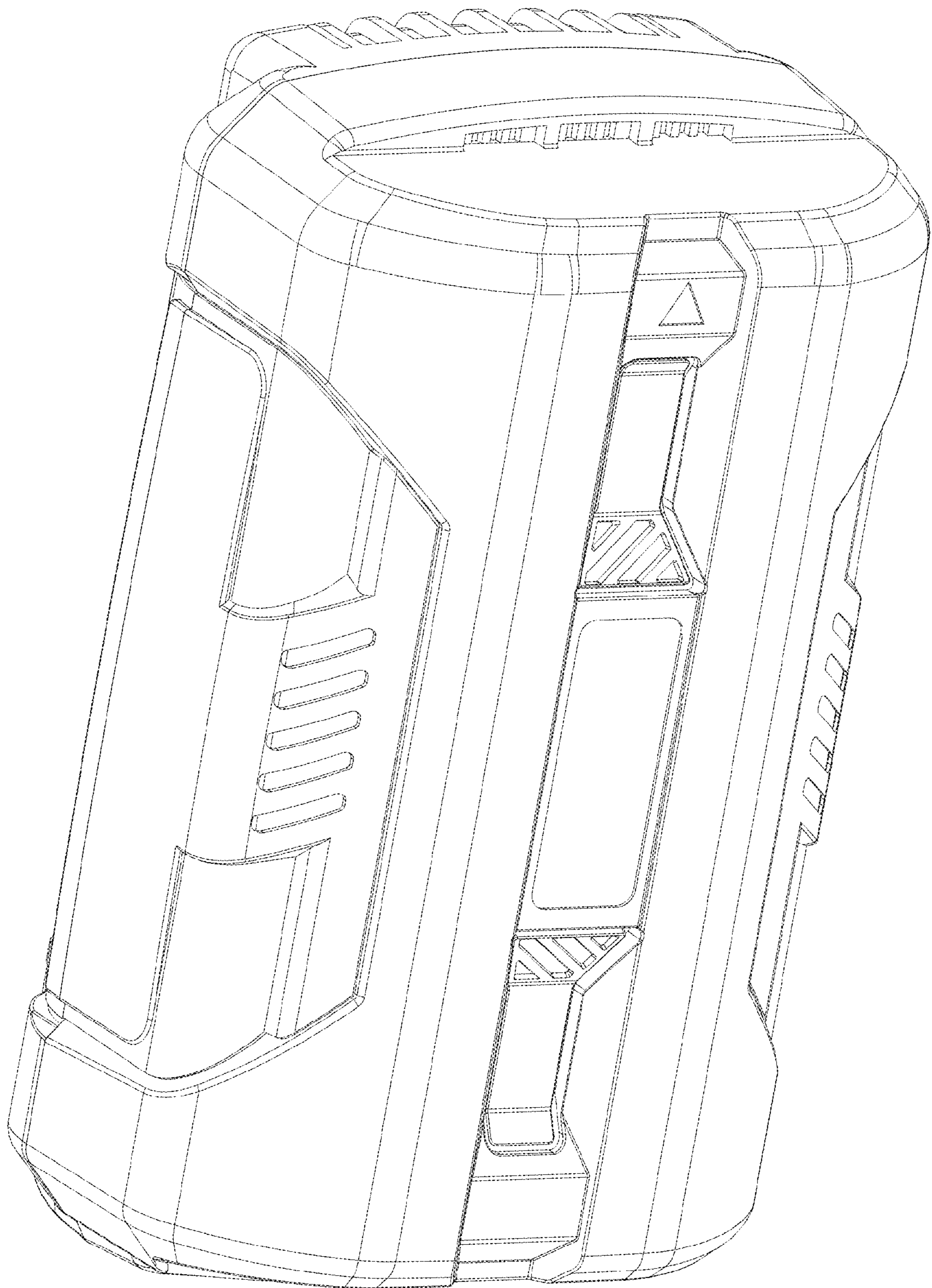


FIG. 10

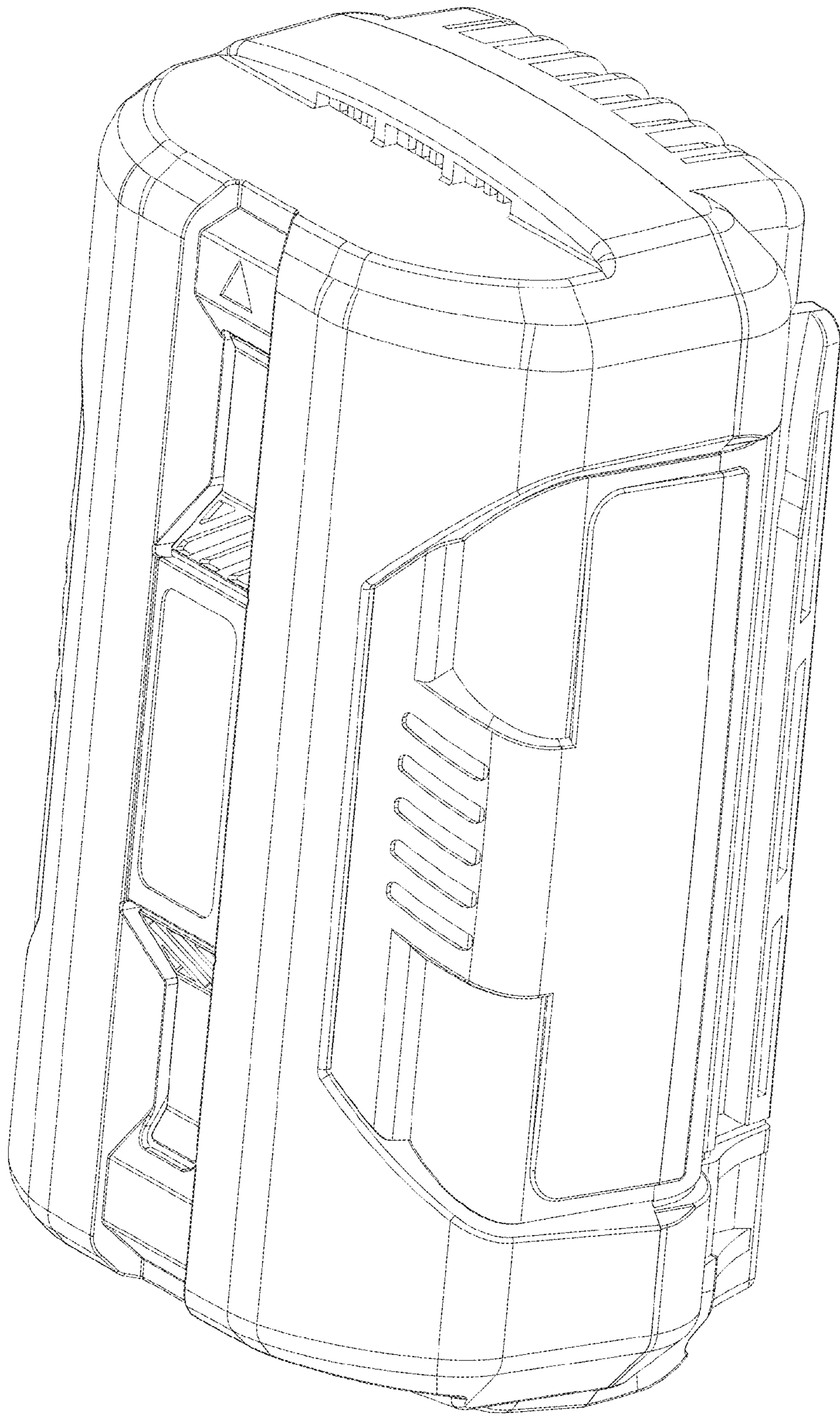


FIG. 11