



US00D951861S

(12) **United States Design Patent** (10) **Patent No.:** **US D951,861 S**
Yang (45) **Date of Patent:** **** May 17, 2022**

(54) **POWER BANK**

(71) Applicant: **Rixian Yang**, Guangdong (CN)

(72) Inventor: **Rixian Yang**, Guangdong (CN)

(**) Term: **15 Years**

(21) Appl. No.: **29/747,105**

(22) Filed: **Aug. 19, 2020**

(51) **LOC (13) Cl.** **13-02**

(52) **U.S. Cl.**
USPC **D13/103**

(58) **Field of Classification Search**
USPC D13/103, 107, 108, 110, 118, 119, 123,
D13/133, 137.1, 184, 199
CPC H02M 1/10; H01M 10/46; H02J 13/0096;
H02J 7/00; H02J 7/0042
See application file for complete search history.

(56) **References Cited**

U.S. PATENT DOCUMENTS

D888,660 S *	6/2020	Jen	D13/103
D893,418 S *	8/2020	Liao	D13/103
D898,667 S *	10/2020	Liu	D13/103
D899,354 S *	10/2020	Liu	D13/102
D908,085 S *	1/2021	Liu	D13/110
D909,966 S *	2/2021	Liao	D13/108
D911,954 S *	3/2021	Xie	D13/103
D917,391 S *	4/2021	Su	D13/103
D918,830 S *	5/2021	Chen	D13/103
D923,564 S *	6/2021	Liao	D13/103
D924,132 S *	7/2021	Turksu	D13/103
D933,591 S *	10/2021	Liu	D13/103
D942,374 S *	2/2022	Liu	D13/103

OTHER PUBLICATIONS

Generators. (Design—© Questel) orbit.com. [Online PDF compi-

lation of references] 43 pgs. Print Dates Range Apr. 17, 2020-Aug. 20, 2021 [Retrieved Feb. 18, 2022].*
Power Badge Power Bank. Apr. 4, 2019. BH Photo Video. https://www.bhphotovideo.com/c/product/1462220-REG/acellories_pb500_b_10_000_mah_power_bank.html/reviews.*
Samsung 20000mAH Power Bank. Jan. 19, 2019. Get Now. <https://www.getnow.pk/shop/samsung-20000mah-power-bank/>.*
10000mAh Power Bank with Built in Cables. Jul. 8, 2020. Amazon, <https://www.amazon.com/10000mAh-Portable-Chargers-External-Compatible/dp/B08CK6RSBD>.*

* cited by examiner

Primary Examiner — Manpreet S Matharu

Assistant Examiner — Suzanne E Tisdell

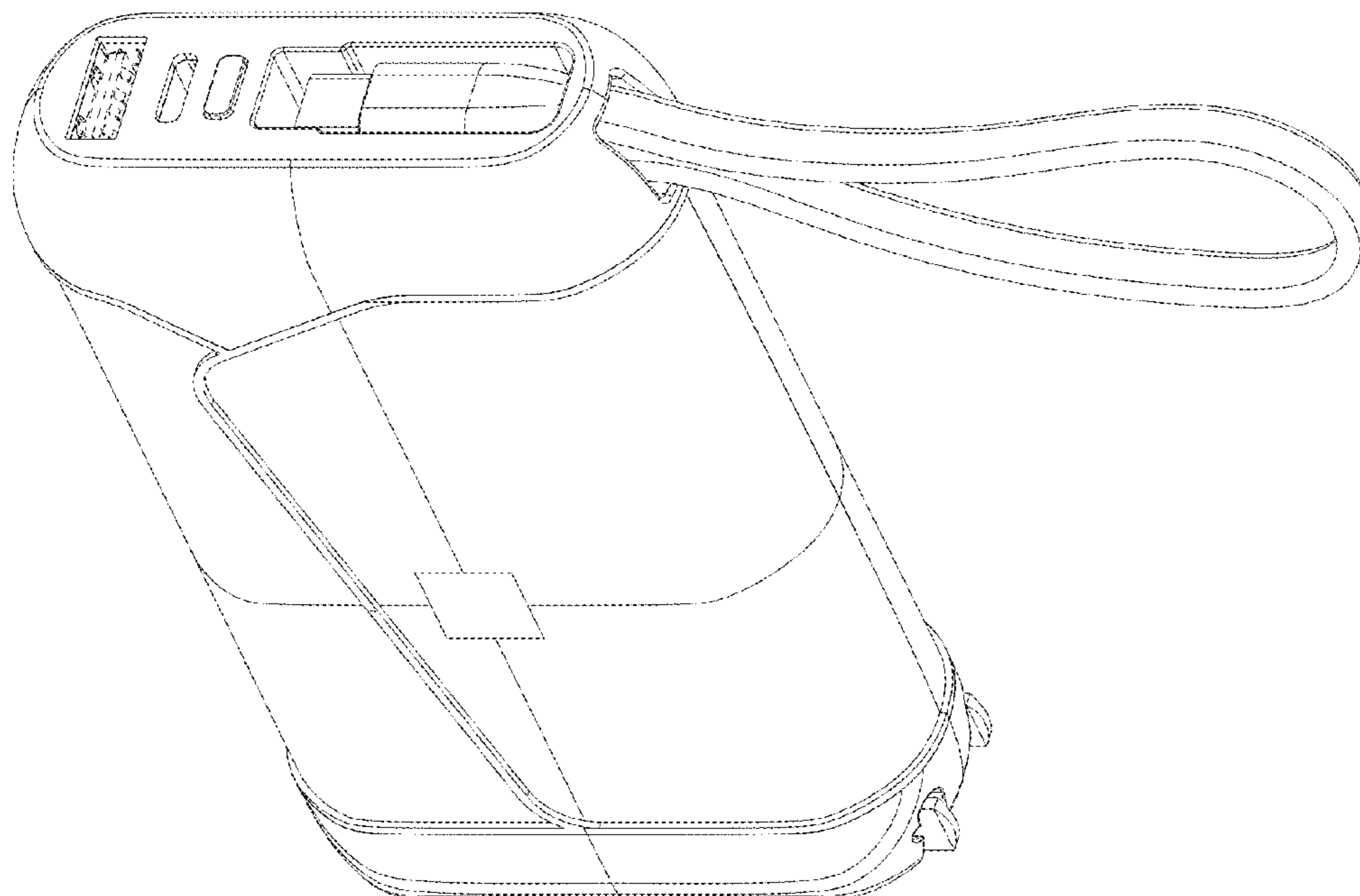
(57) **CLAIM**

The ornamental design for a power bank, as shown and described.

DESCRIPTION

FIG. 1 is a front elevational view of a power bank showing my new design;
FIG. 2 is a rear elevational view thereof;
FIG. 3 is a left side view thereof;
FIG. 4 is a right side view thereof;
FIG. 5 is a top plan view thereof;
FIG. 6 is a bottom plan view thereof;
FIG. 7 is a perspective view thereof;
FIG. 8 is a second perspective view thereof; and,
FIG. 9 is a third perspective view thereof.
Broken lines shown in FIGS. 5 & 7 show portions of the power bank that form no part of the claimed design. Broken lines included in FIG. 9 show environmental structures that form no part of the claimed design.

1 Claim, 8 Drawing Sheets



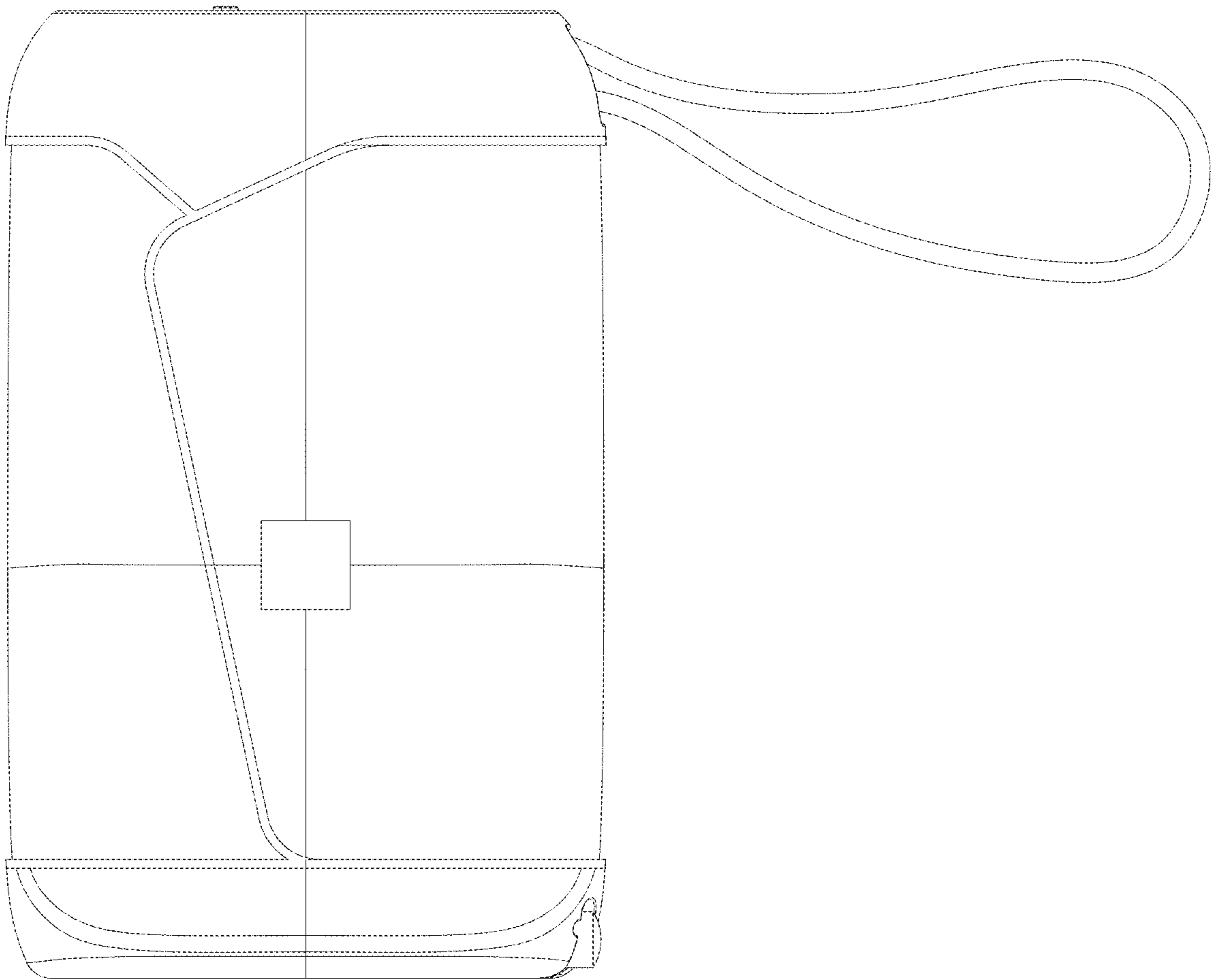


FIG. 1

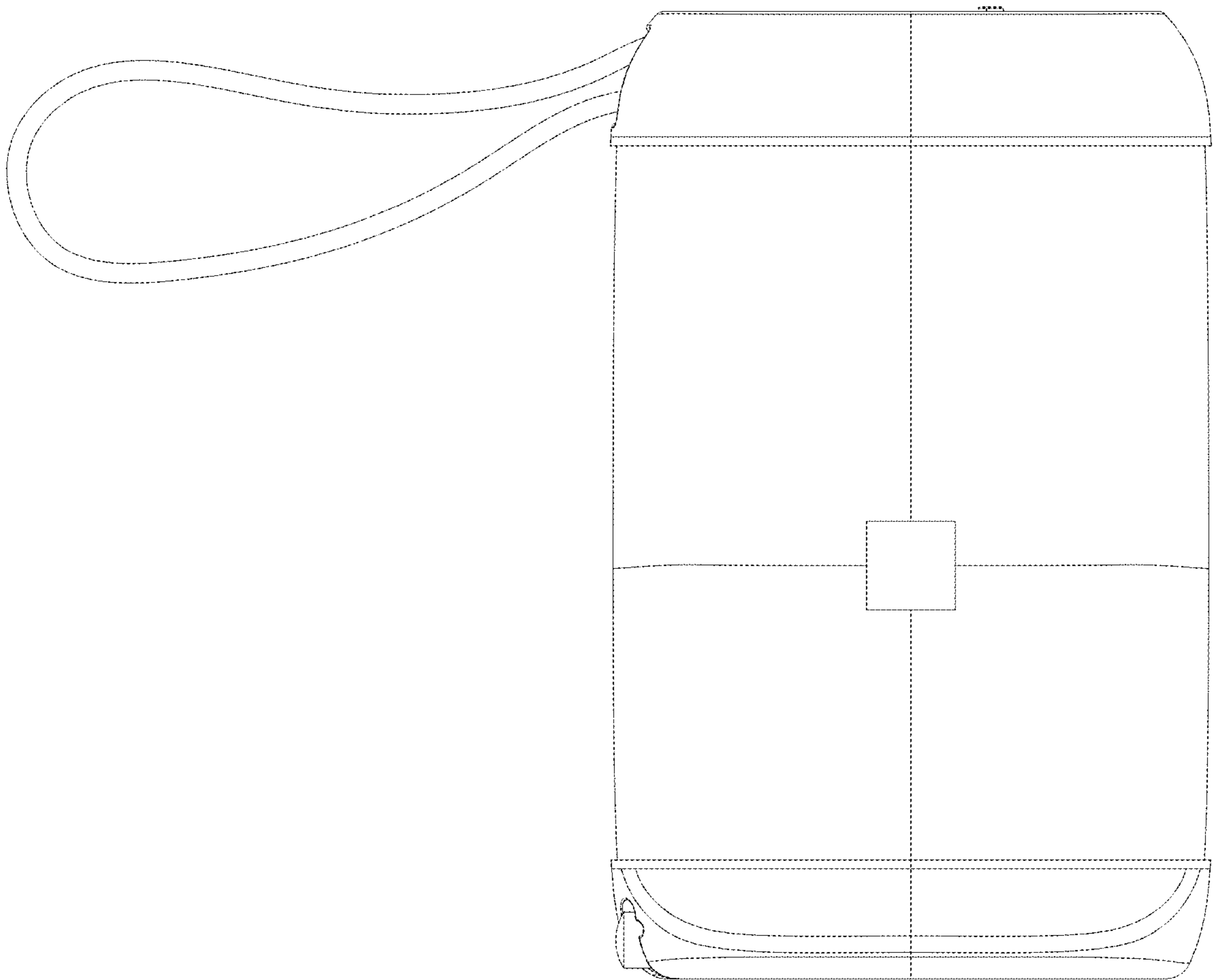


FIG. 2

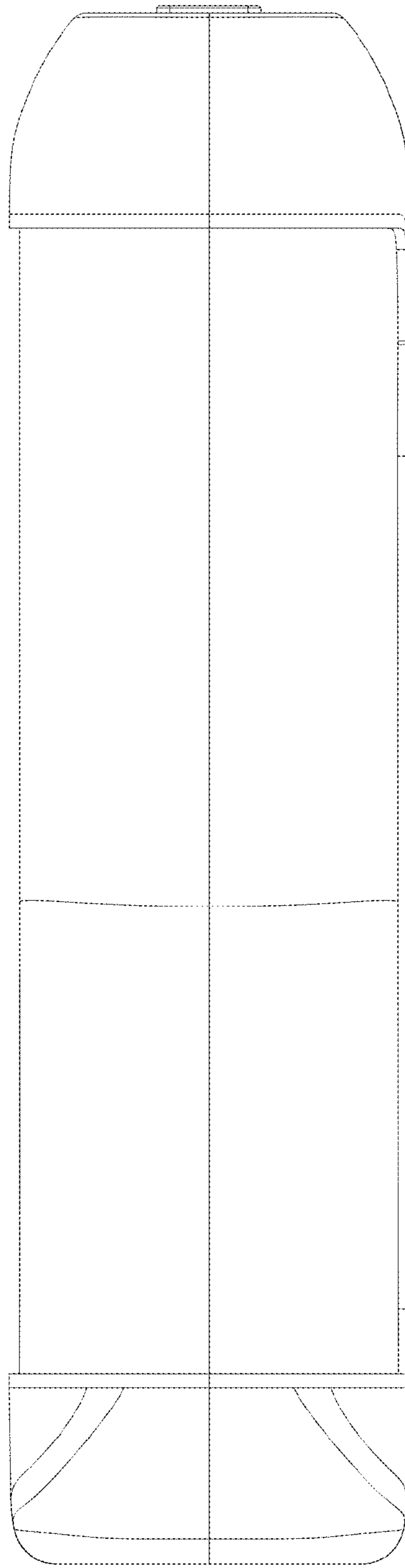


FIG. 3

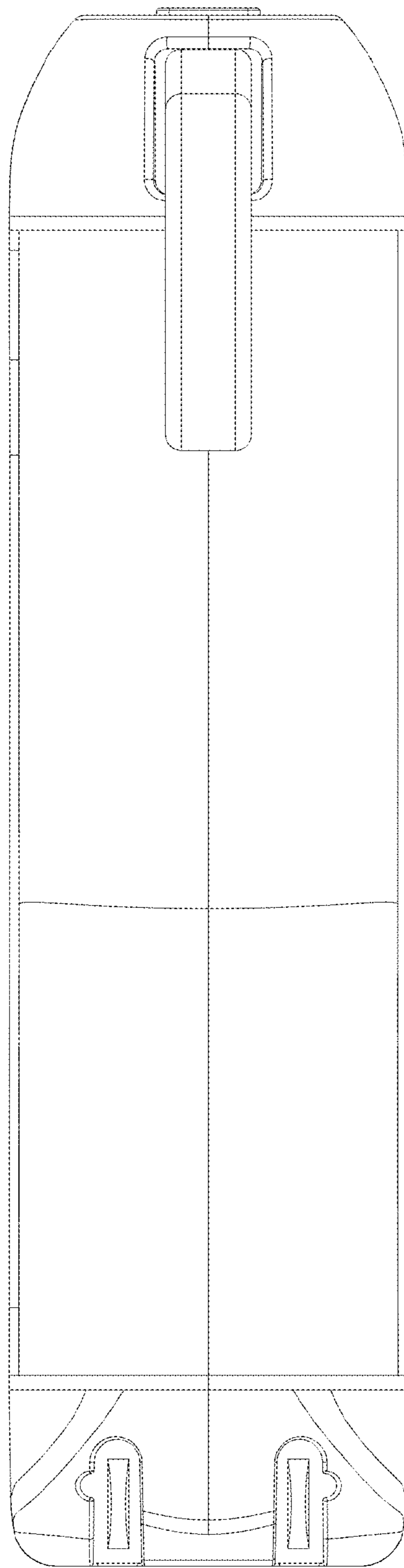


FIG. 4

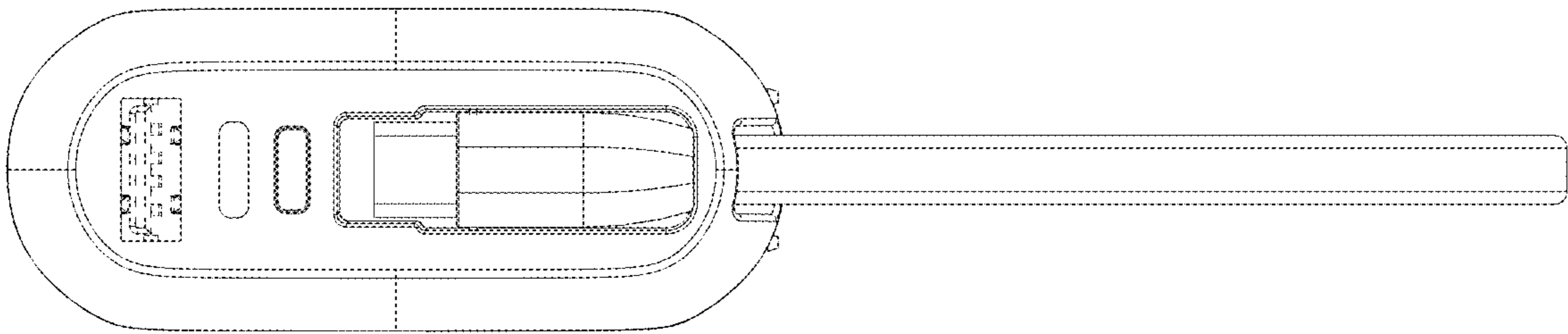


FIG. 5

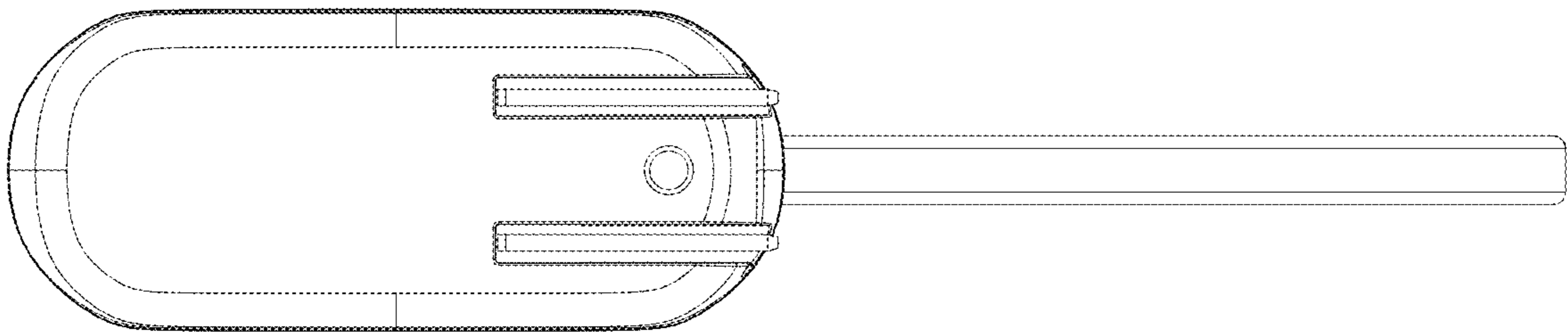


FIG. 6

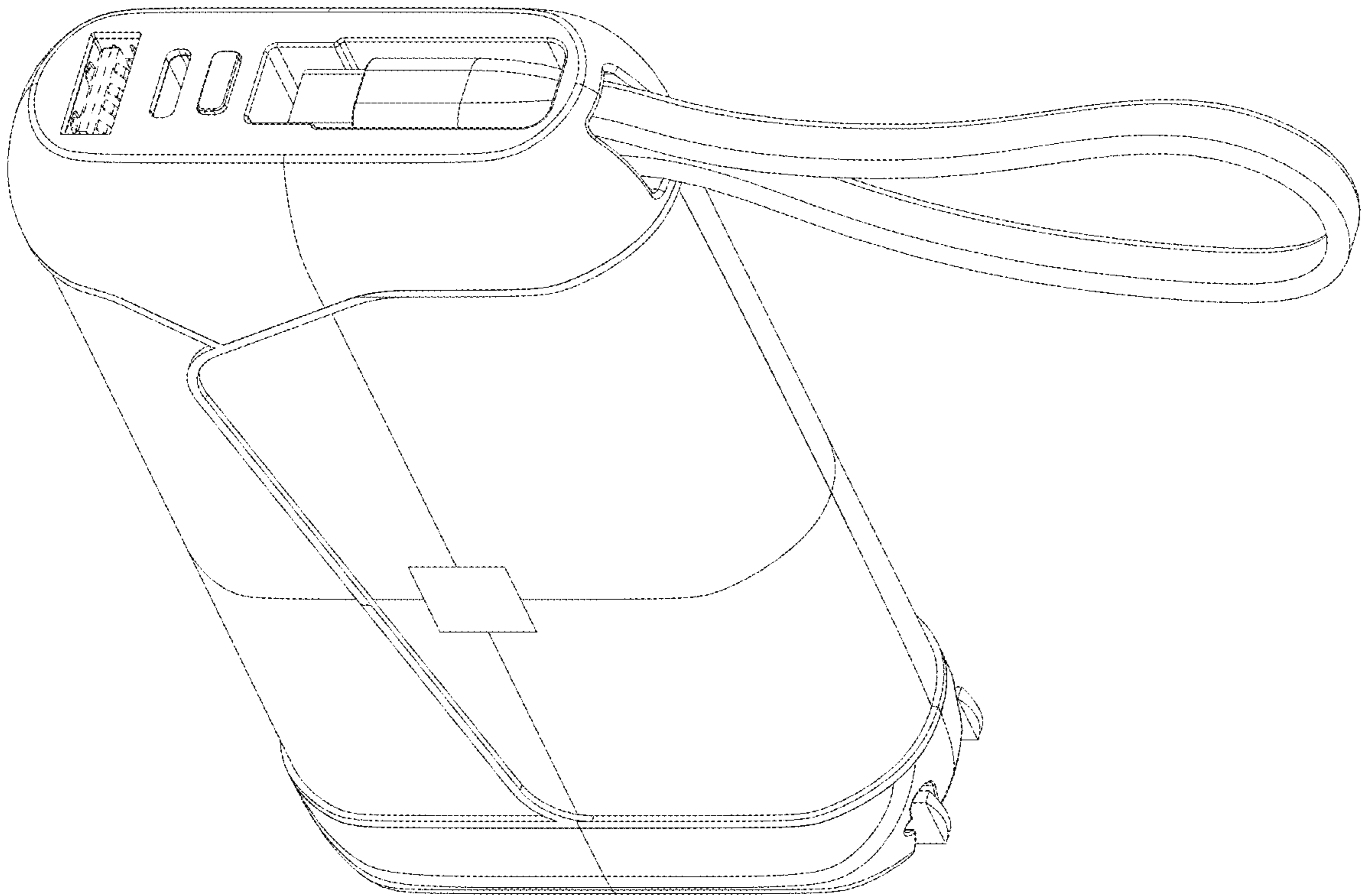


FIG. 7

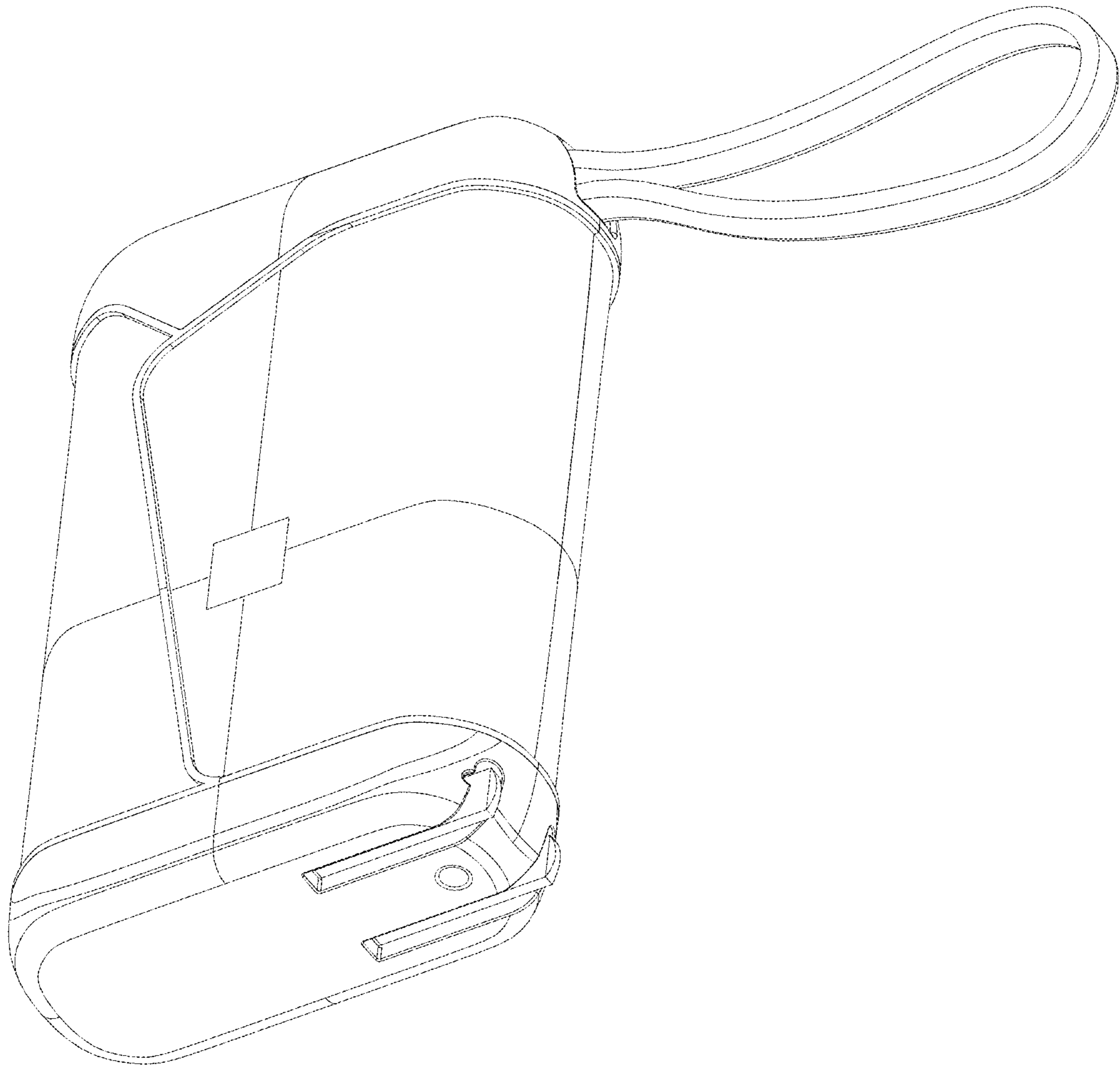


FIG. 8

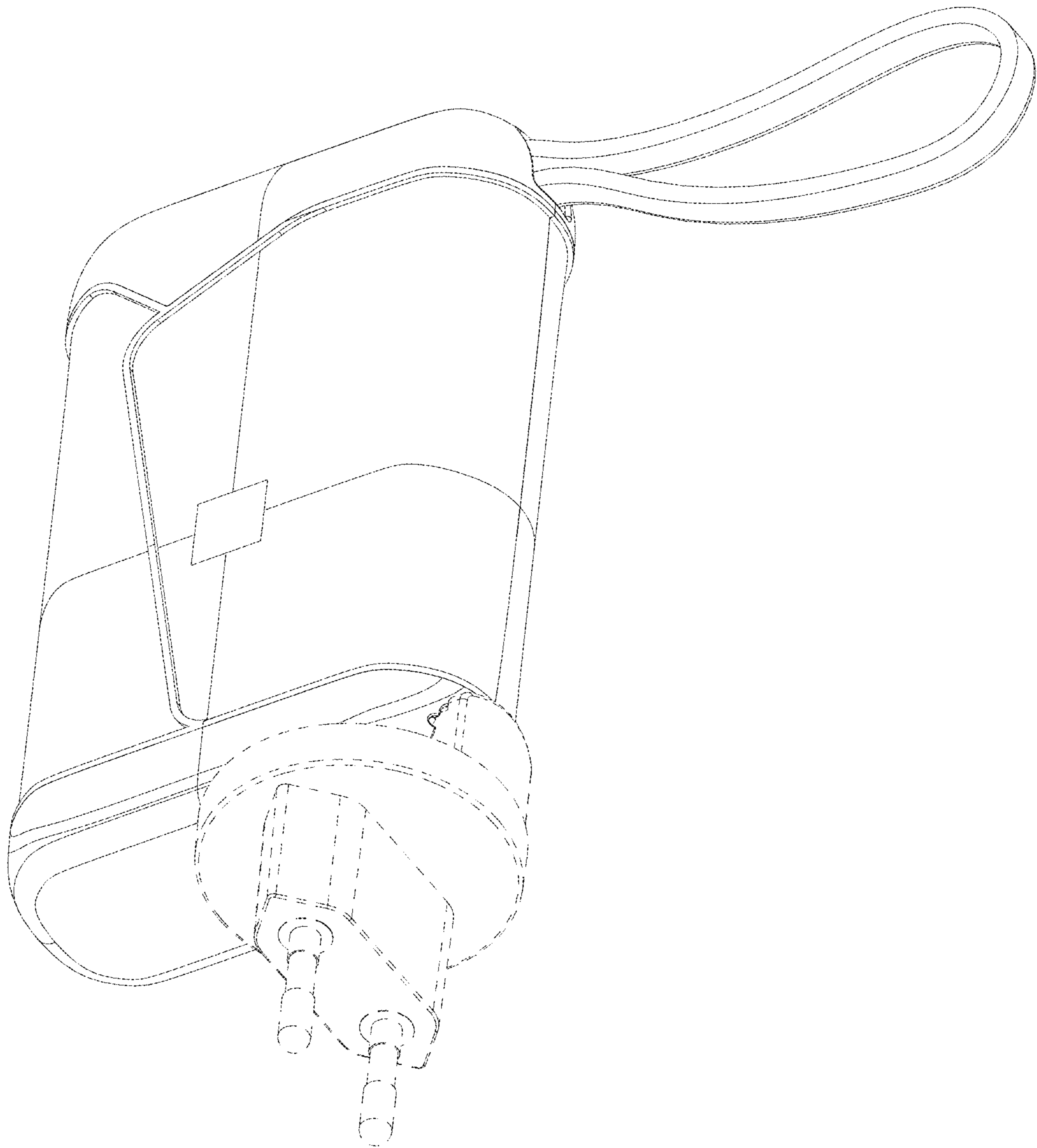


FIG. 9