



US00D951860S

(12) **United States Design Patent** (10) **Patent No.:** **US D951,860 S**
Forsberg et al. (45) **Date of Patent:** **** *May 17, 2022**

(54) **BATTERY PACK**

(71) Applicant: **Robert Bosch GmbH**, Stuttgart (DE)

(72) Inventors: **Karl Forsberg**, Segeltorp (SE); **Viktor Berglin**, Stockholm (SE); **Andreas Lundbaeck**, Stockholm (SE)

(73) Assignee: **Robert Bosch GmbH**, Stuttgart (DE)

(*) Notice: This patent is subject to a terminal disclaimer.

(**) Term: **15 Years**

(21) Appl. No.: **29/745,457**

(22) Filed: **Aug. 6, 2020**

(30) **Foreign Application Priority Data**

Feb. 7, 2020 (EM) 007671755

(51) **LOC (13) Cl.** **13-02**

(52) **U.S. Cl.**
USPC **D13/103**

(58) **Field of Classification Search**
USPC D13/103, 106, 107, 108, 109, 110, 112,
D13/114, 116, 118, 119, 184, 199
CPC H01M 10/46; H02J 7/0044; F02B 63/04
See application file for complete search history.

(56) **References Cited**

U.S. PATENT DOCUMENTS

D610,537 S *	2/2010	Sweeney	D13/103
D613,142 S *	4/2010	Aglassinger	D8/70
D633,036 S *	2/2011	Murray	D13/103
D640,628 S *	6/2011	Lopano	D13/103
D679,651 S *	4/2013	Stratford	D13/103
D682,192 S *	5/2013	Corbin	D13/103
D699,670 S *	2/2014	Cooper	D13/103
D801,919 S *	11/2017	Elder	D13/103
D898,662 S *	10/2020	Waldron	D13/103

D924,794 S *	7/2021	Kuang	D13/103
2016/0072106 A1 *	3/2016	Baumgartner	H02J 7/00 320/113
2016/0126533 A1 *	5/2016	Velderman	H01M 10/4207 429/97

(Continued)

OTHER PUBLICATIONS

“DEWALT MAX CompactBattery Pack”. Found online Feb. 2, 2021 at homedeot.com. Reference dated Dec. 24, 2013. Retrieved from <https://www.homedepot.com/p/DEWALT-20-Volt-MAX-Compact-Lithium-Ion-2-0Ah-Battery-Pack-DCB203/204222436>. (Year: 2013).*

(Continued)

Primary Examiner — Kendra Leslie Hamilton

Assistant Examiner — Amanda Christensen

(74) *Attorney, Agent, or Firm* — Maginot, Moore & Beck LLP

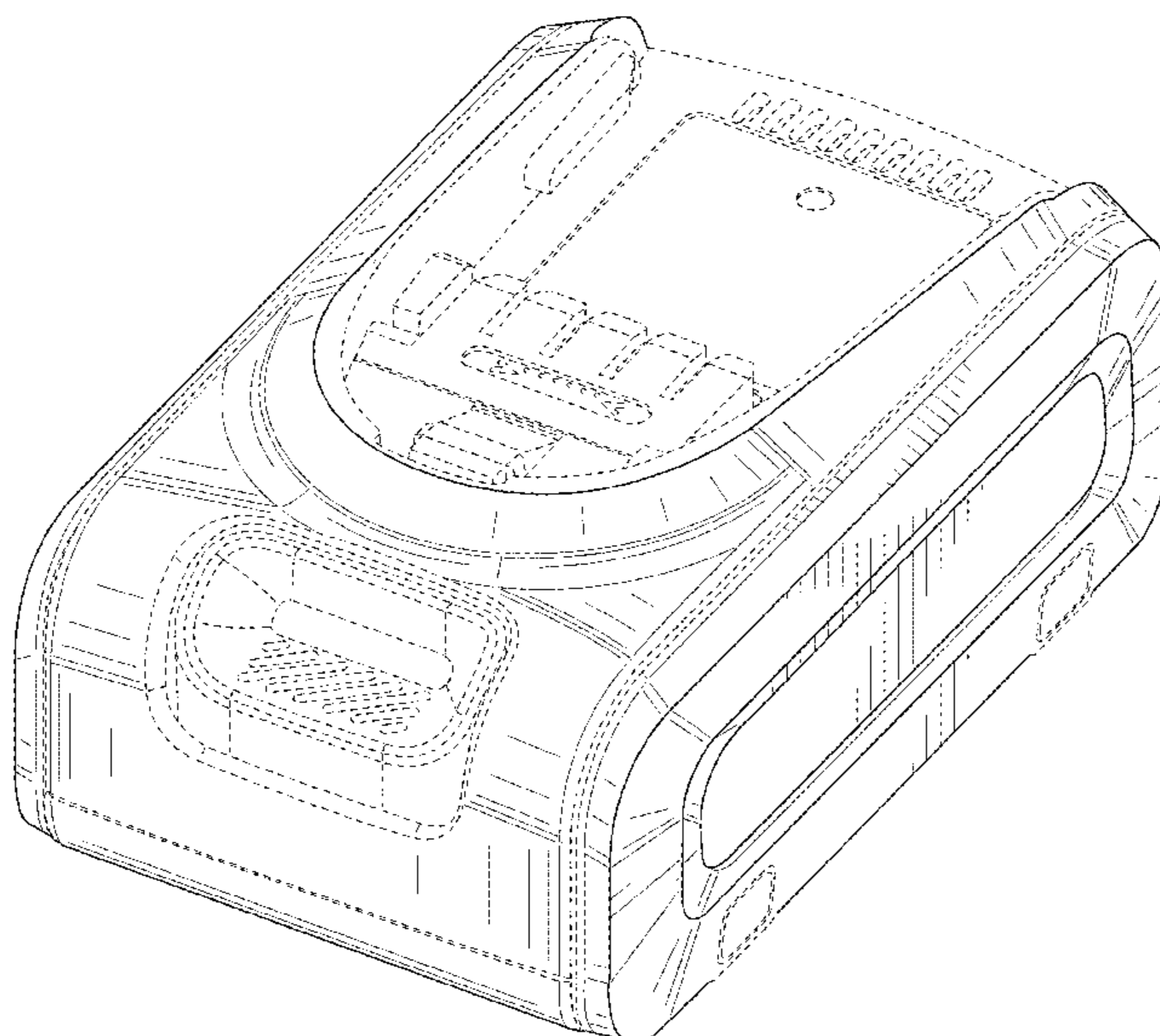
(57) **CLAIM**

The ornamental design for a battery pack, as shown and described.

DESCRIPTION

Cross reference is made to copending U.S. design patent application Ser. No. 29/745,458 entitled “Battery Pack” by Forsberg et al., which was filed on even date herewith. FIG. 1 is a top-front-right side perspective view of a battery pack showing our new design; FIG. 2 is a front elevational view thereof; FIG. 3 is a rear elevational view thereof; FIG. 4 is a left side elevational view thereof; FIG. 5 is a right side elevational view thereof; FIG. 6 is a top plan view thereof; and, FIG. 7 is a bottom plan view thereof. The broken lines shown in the drawings depict portions of the battery pack that form no part of the claimed design.

1 Claim, 7 Drawing Sheets



(56)

References Cited

U.S. PATENT DOCUMENTS

2020/0227695 A1* 7/2020 Jones H01M 50/20

OTHER PUBLICATIONS

“Enermall Battery”. Found online Aug. 24, 2021 at amazon.com. Reference dated Apr. 28, 2019. Retrieved from https://www.amazon.com/Lithium-Premium-DCB205-2-DCD771C2-DCS355D1/dp/B07RLML7W9/ref=sr_1_41. (Year: 2019).*

“Vanon Lithium Replacement Battery”. Found online Aug. 24, 2021 at amazon.com. Reference dated Jan. 6, 2017. Retrieved from https://www.amazon.com/dp/B0711T6WG1/ref=sspa_dk_detail_6. (Year: 2017).*

* cited by examiner

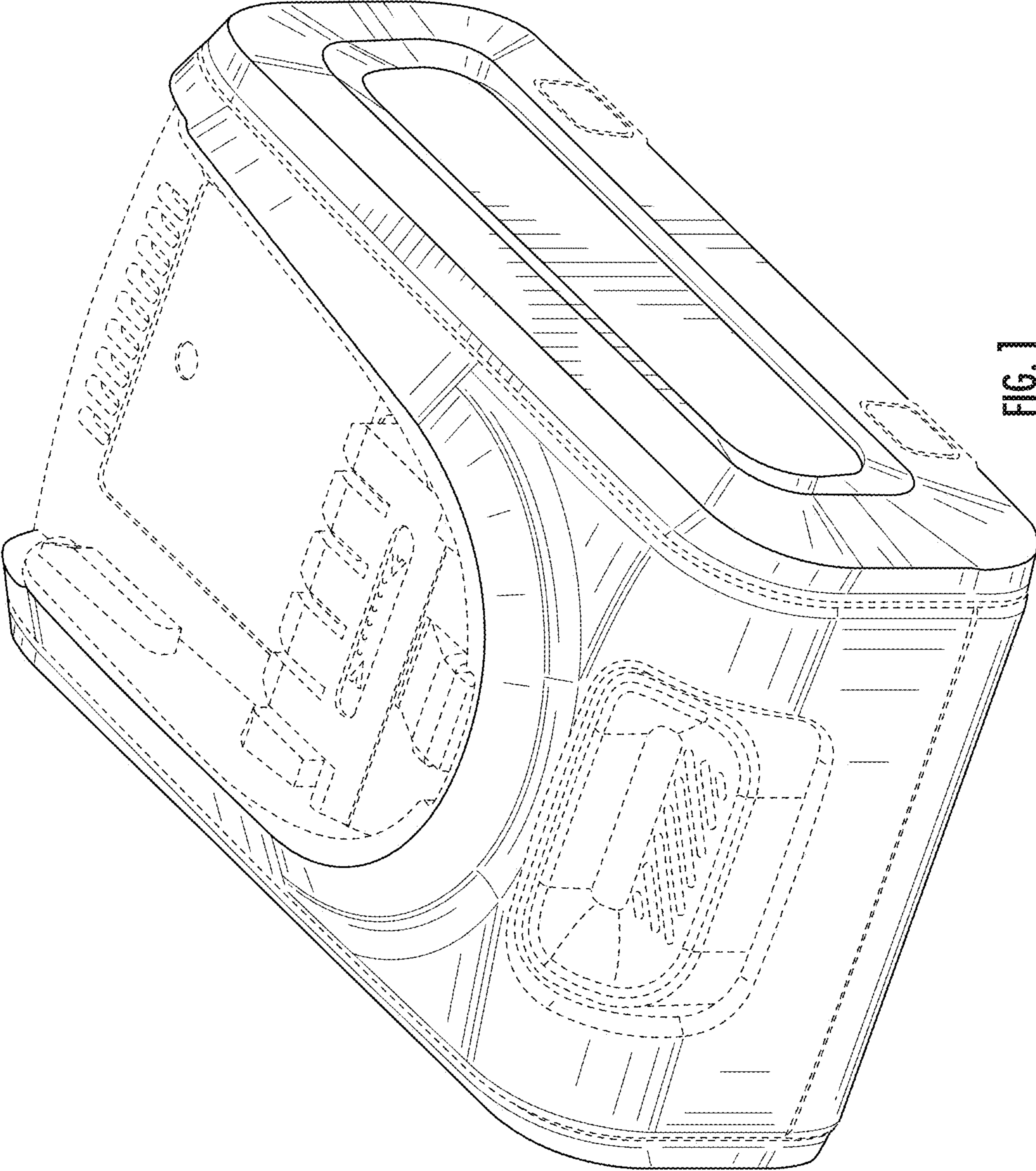


FIG. 1

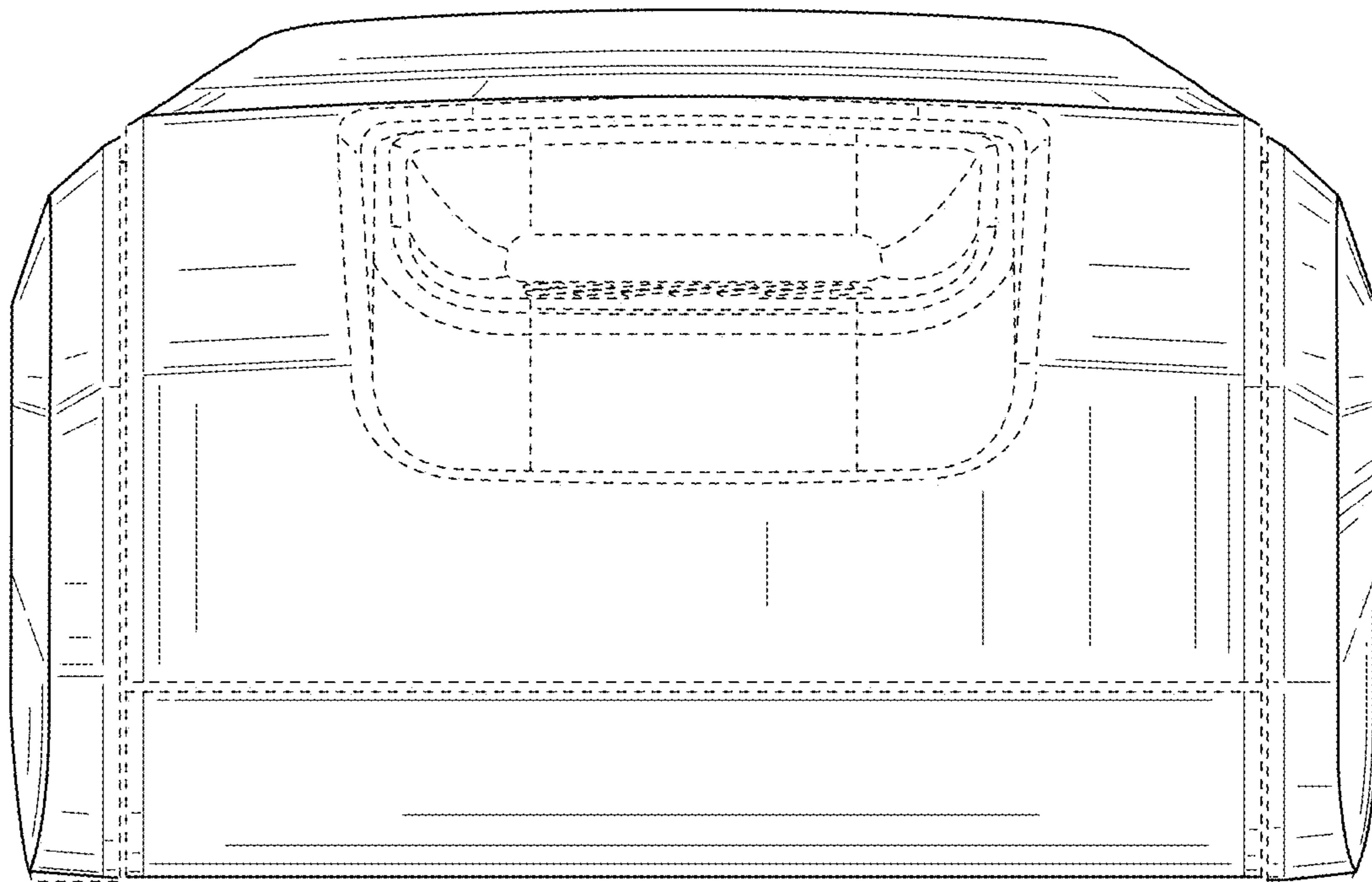


FIG. 2

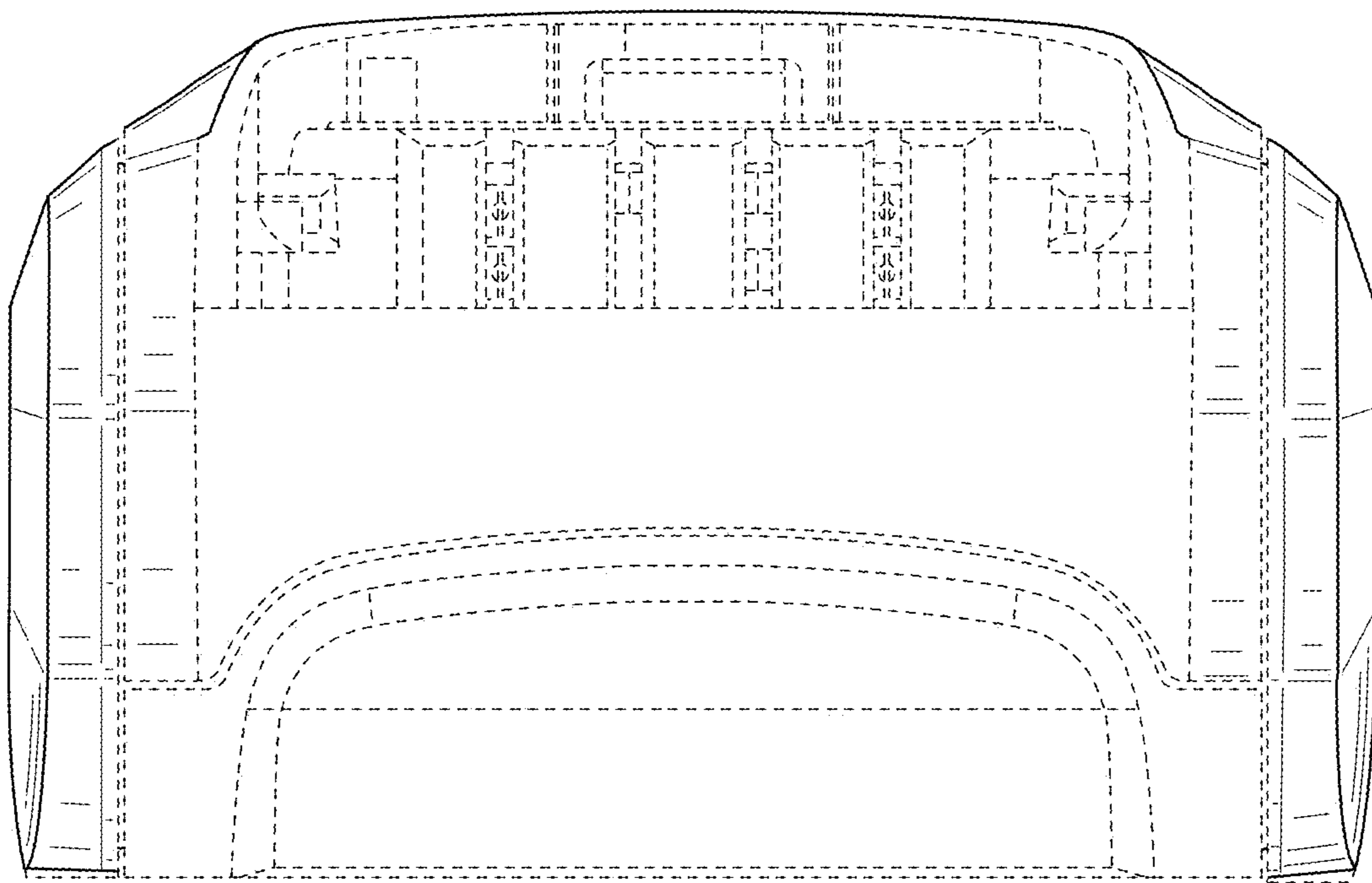


FIG. 3

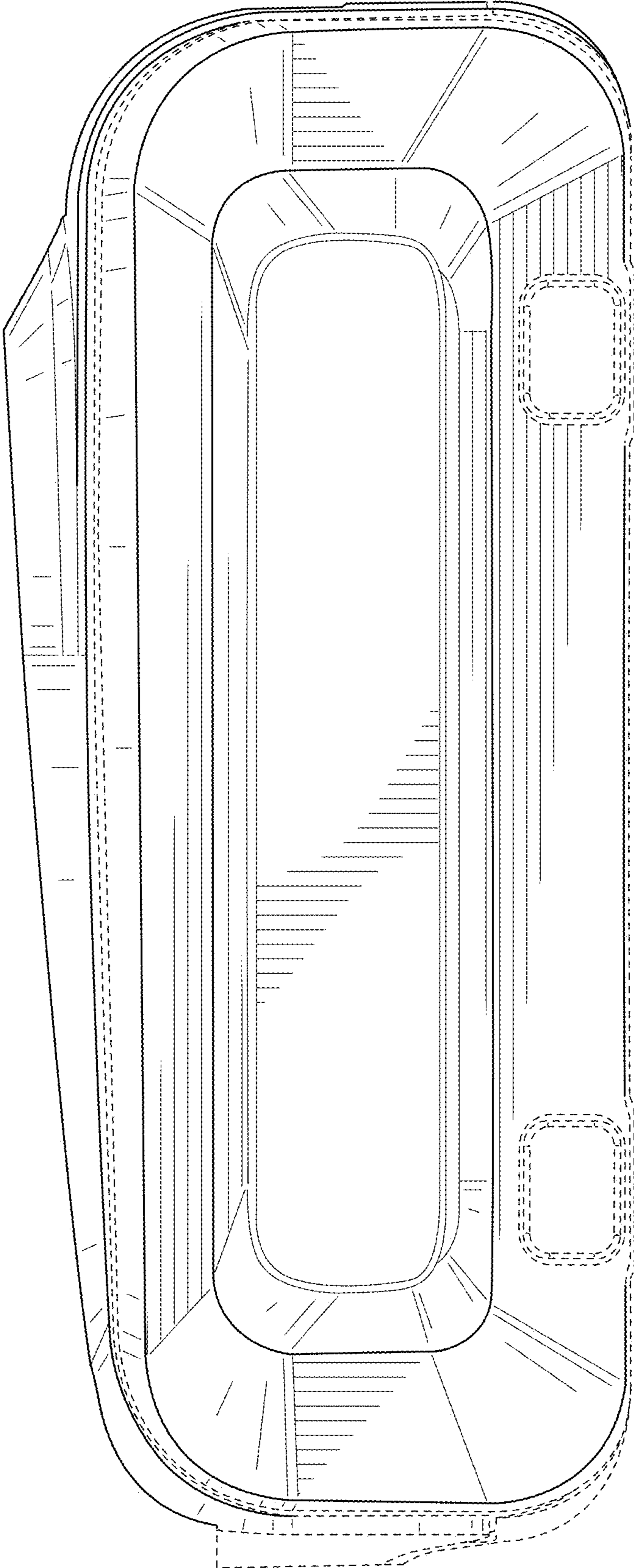


FIG. 4

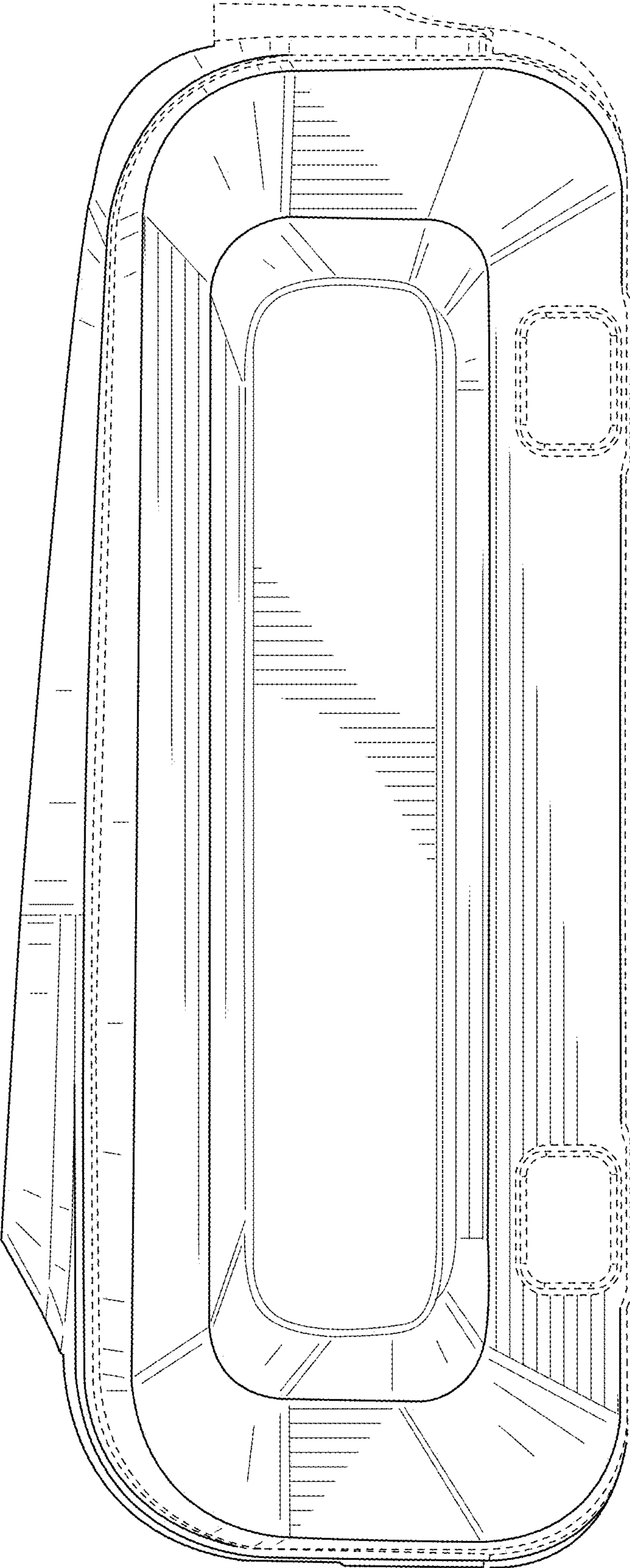


FIG. 5

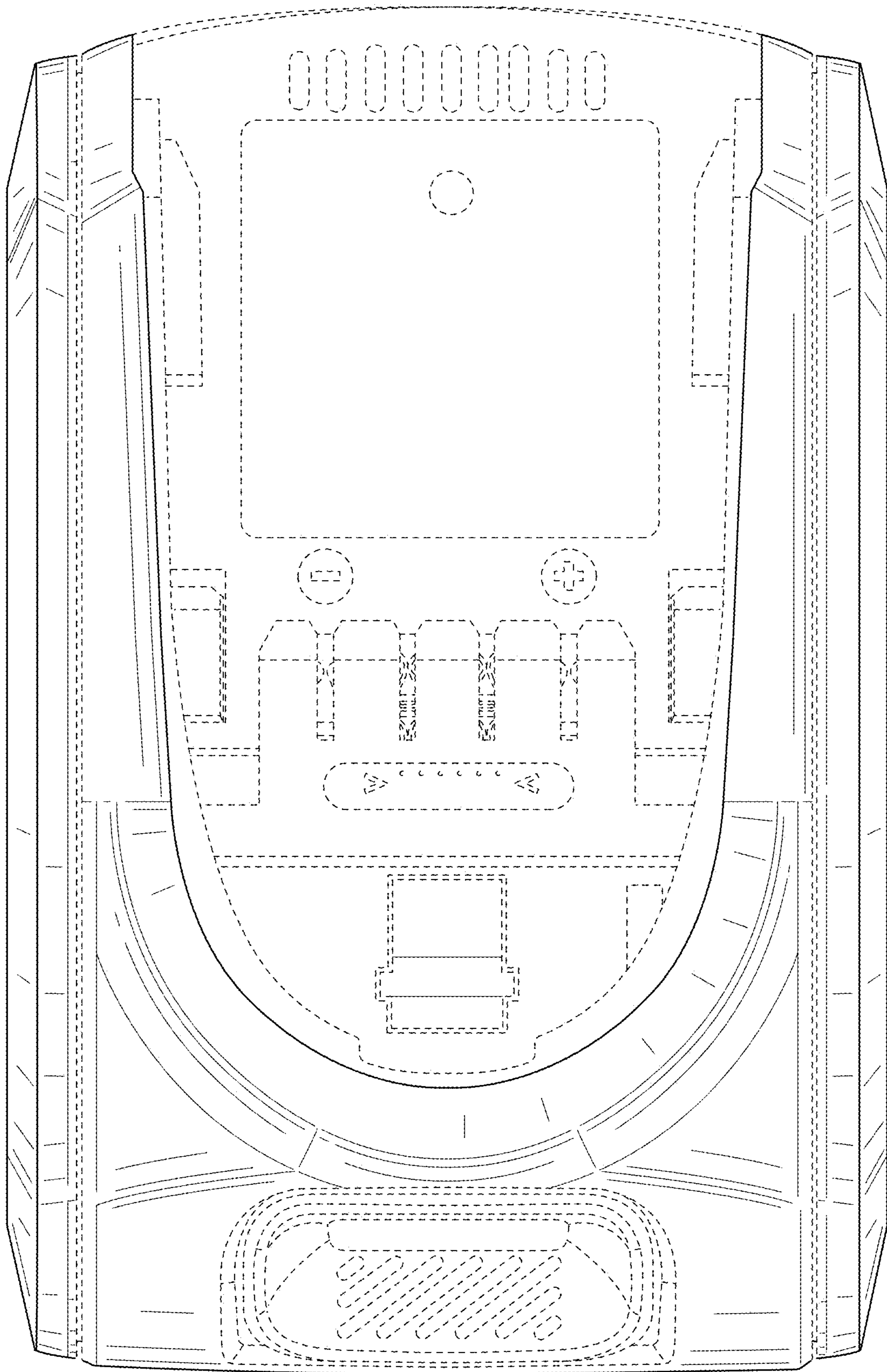


FIG. 6

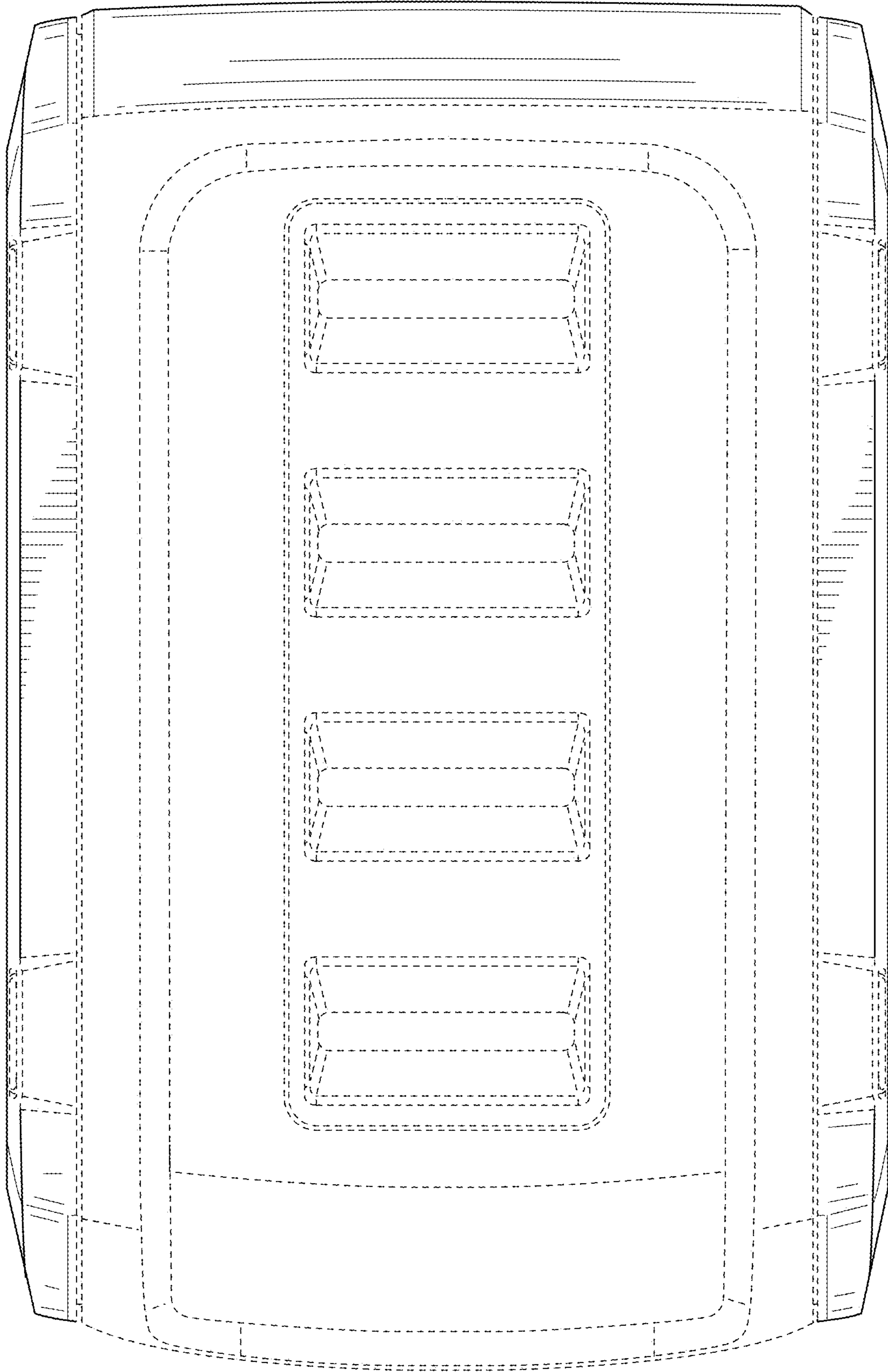


FIG. 7