



US00D951858S

(12) **United States Design Patent**
Wang

(10) **Patent No.:** **US D951,858 S**

(45) **Date of Patent:** **** May 17, 2022**

(54) **SOLAR PANEL**

(71) Applicant: **Baoling Wang**, Pizhou (CN)

(72) Inventor: **Baoling Wang**, Pizhou (CN)

(**) Term: **15 Years**

(21) Appl. No.: **29/785,960**

(22) Filed: **May 28, 2021**

(51) **LOC (13) Cl.** **13-02**

(52) **U.S. Cl.**
USPC **D13/102**

(58) **Field of Classification Search**
USPC D13/102, 101, 103, 107, 108, 184, 199;
D26/63, 67, 68, 71, 72

CPC H01L 31/00; H01L 31/18; H01L 31/042;
H01L 31/045; H01L 31/048; H01L
31/052; H01L 31/054; H01L 31/0475;
H01L 31/0485; H01M 10/052; H01M
10/465; H02S 30/10; H02S 30/20; H02S
10/40; H02S 40/42; Y02E 10/50; Y02E
10/52; Y10S 136/291; Y10S 136/293;
H02J 7/355; G06F 1/1628; F21S 8/006

See application file for complete search history.

(56) **References Cited**

U.S. PATENT DOCUMENTS

D214,945 S * 8/1969 Vesely et al. D26/68
D311,722 S * 10/1990 Cheng D13/102

D505,113 S * 5/2005 Lam D13/107
D543,500 S * 5/2007 Parness D13/102
D748,573 S * 2/2016 Becker D13/102
D870,341 S * 12/2019 Benghozi D26/63
D887,521 S * 6/2020 He D22/120
D894,115 S 8/2020 Xia et al.
D894,116 S 8/2020 Zhou et al.
D898,972 S * 10/2020 Pei D13/102
D902,145 S * 11/2020 Yang D13/102

* cited by examiner

Primary Examiner — Derrick E Holland

(57) **CLAIM**

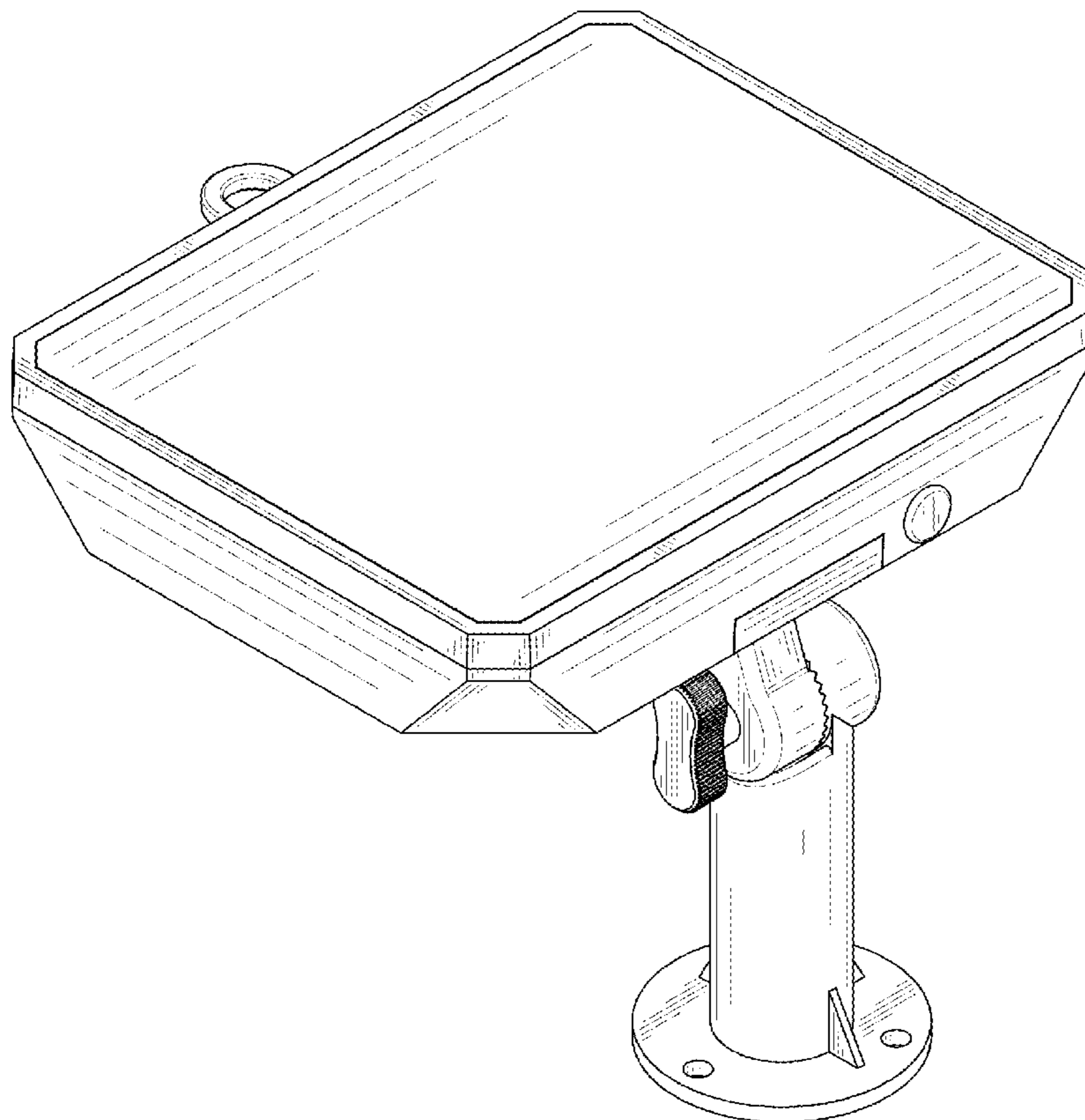
The ornamental design for a solar panel, as shown and described.

DESCRIPTION

FIG. 1 is a first perspective view of a solar panel showing my new design;
FIG. 2 is a second perspective view thereof;
FIG. 3 is a front view thereof;
FIG. 4 is a back view thereof;
FIG. 5 is a left side view thereof;
FIG. 6 is a right side view thereof;
FIG. 7 is a top view thereof; and,
FIG. 8 is a bottom view thereof.

The broken lines shown in the drawings depict portions of the solar panel in which the design is embodied that form no part of the claimed design.

1 Claim, 8 Drawing Sheets



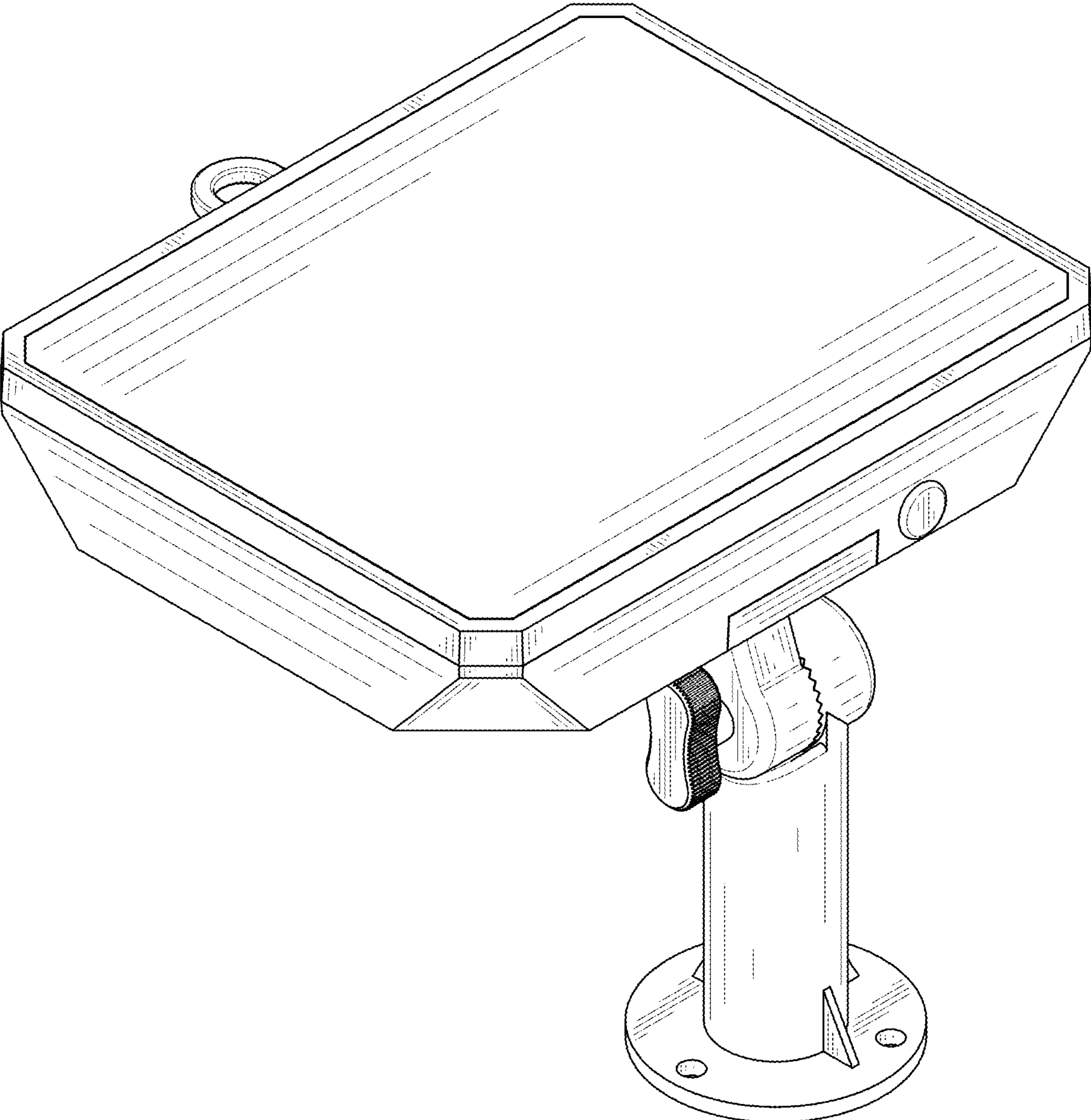


FIG. 1

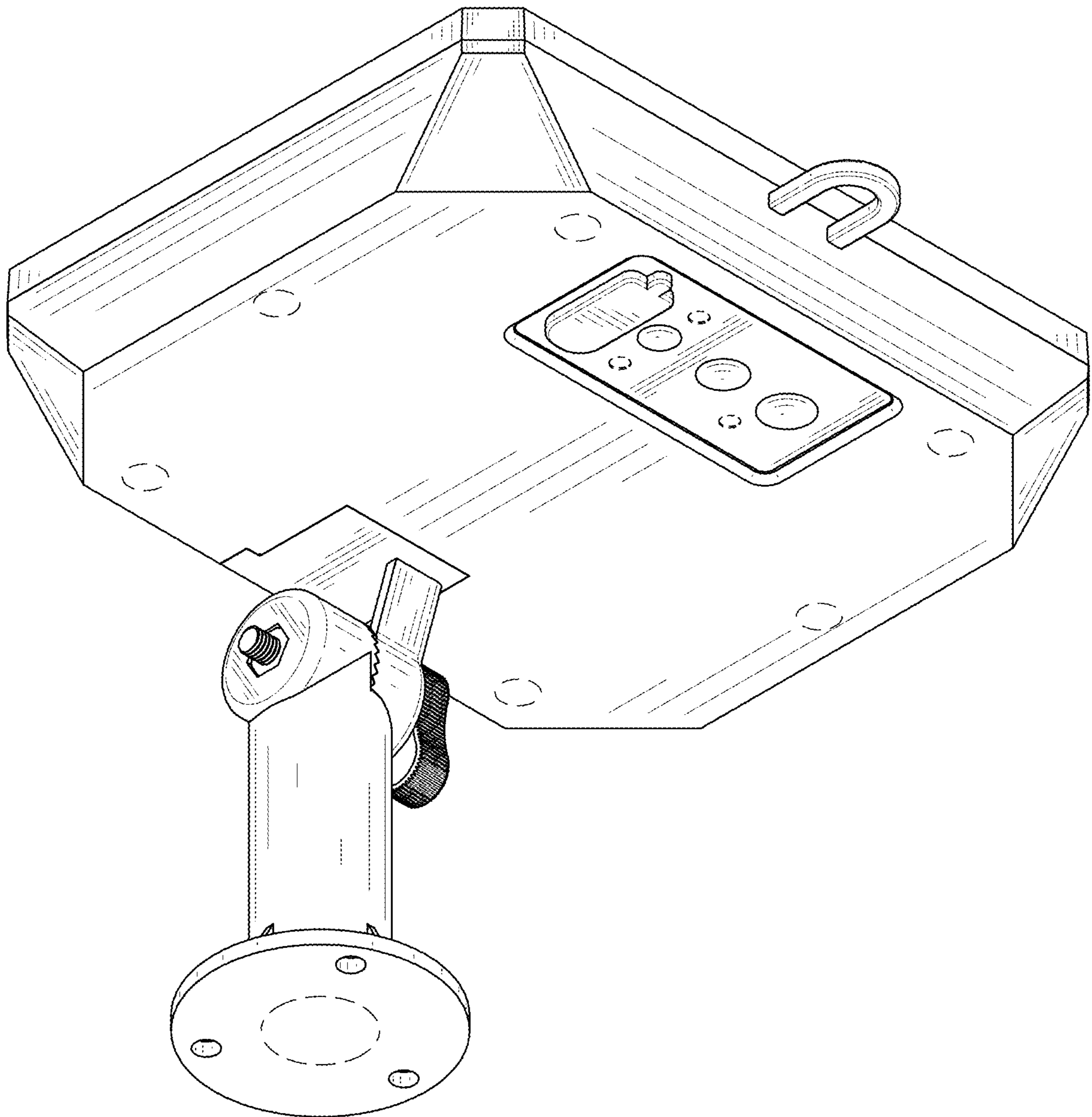


FIG. 2

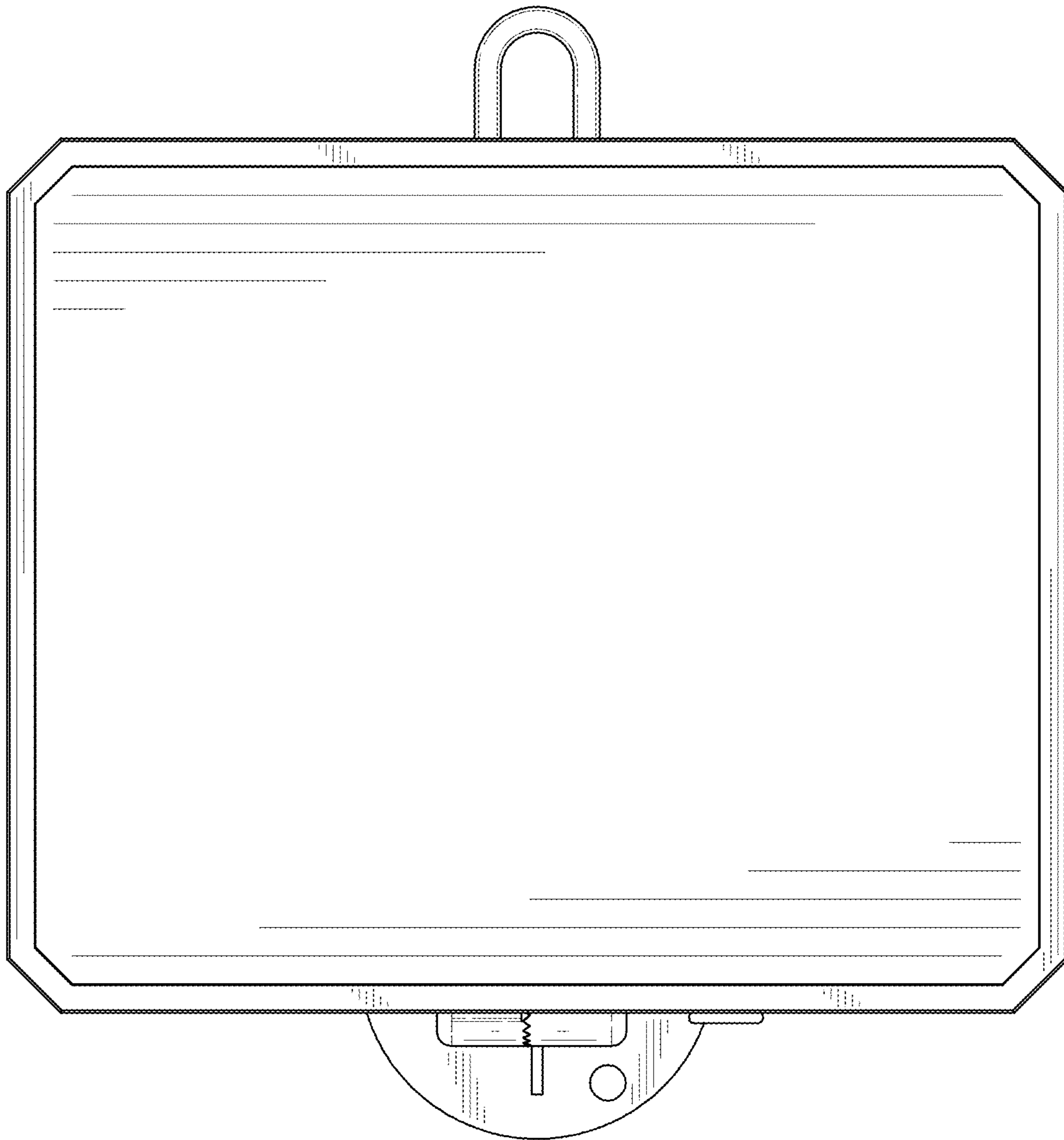


FIG. 3

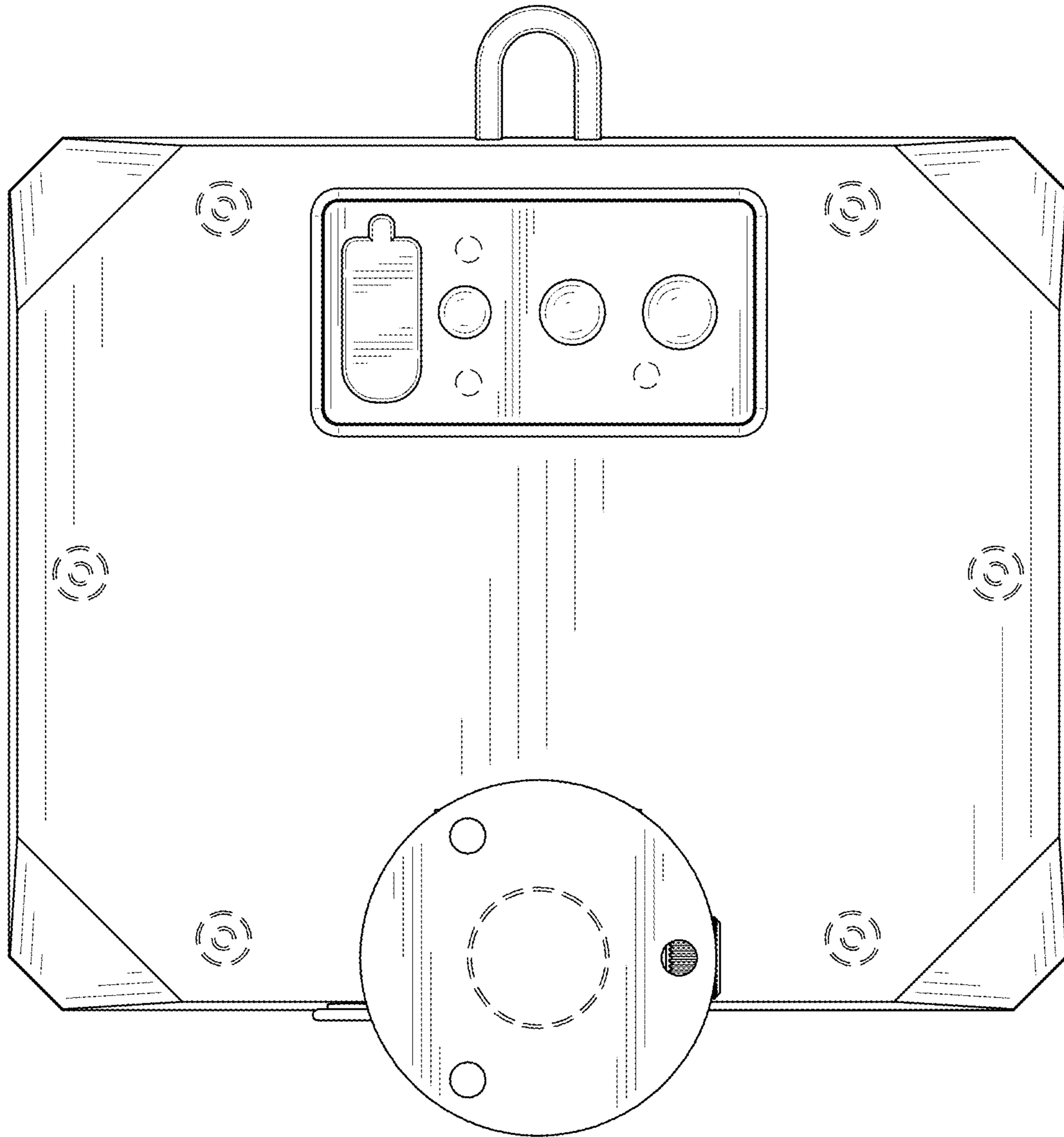


FIG. 4

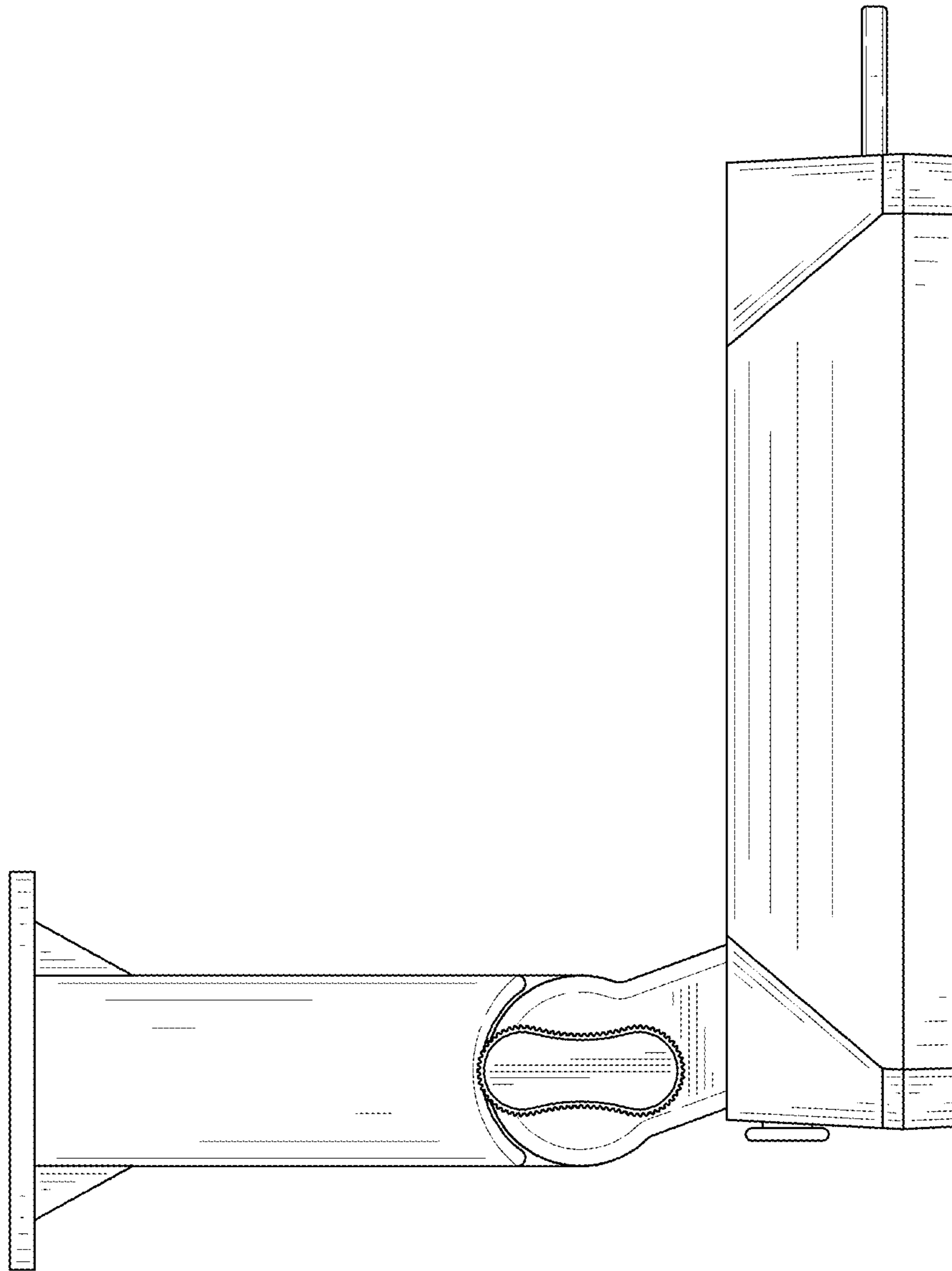


FIG. 5

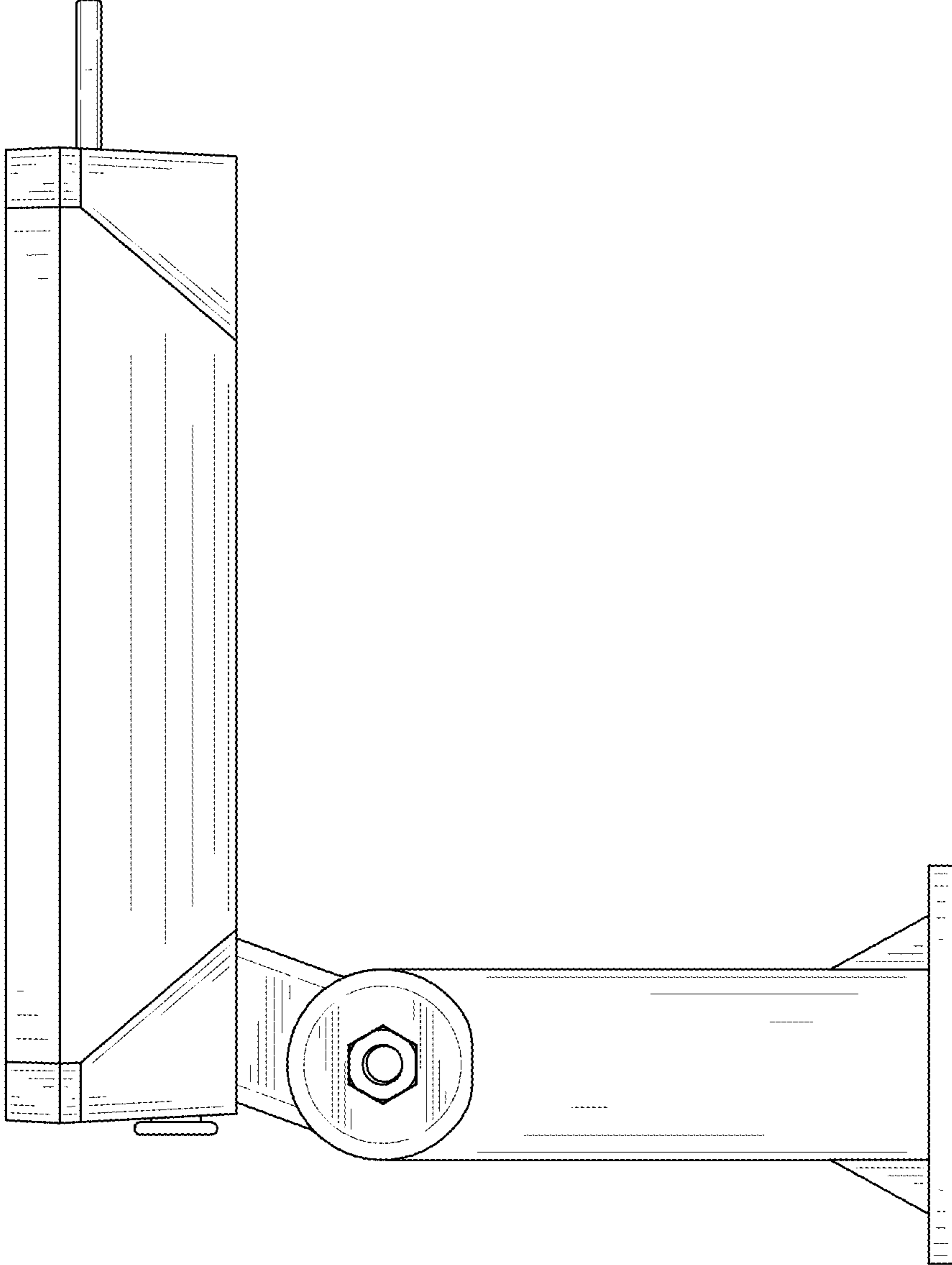


FIG. 6

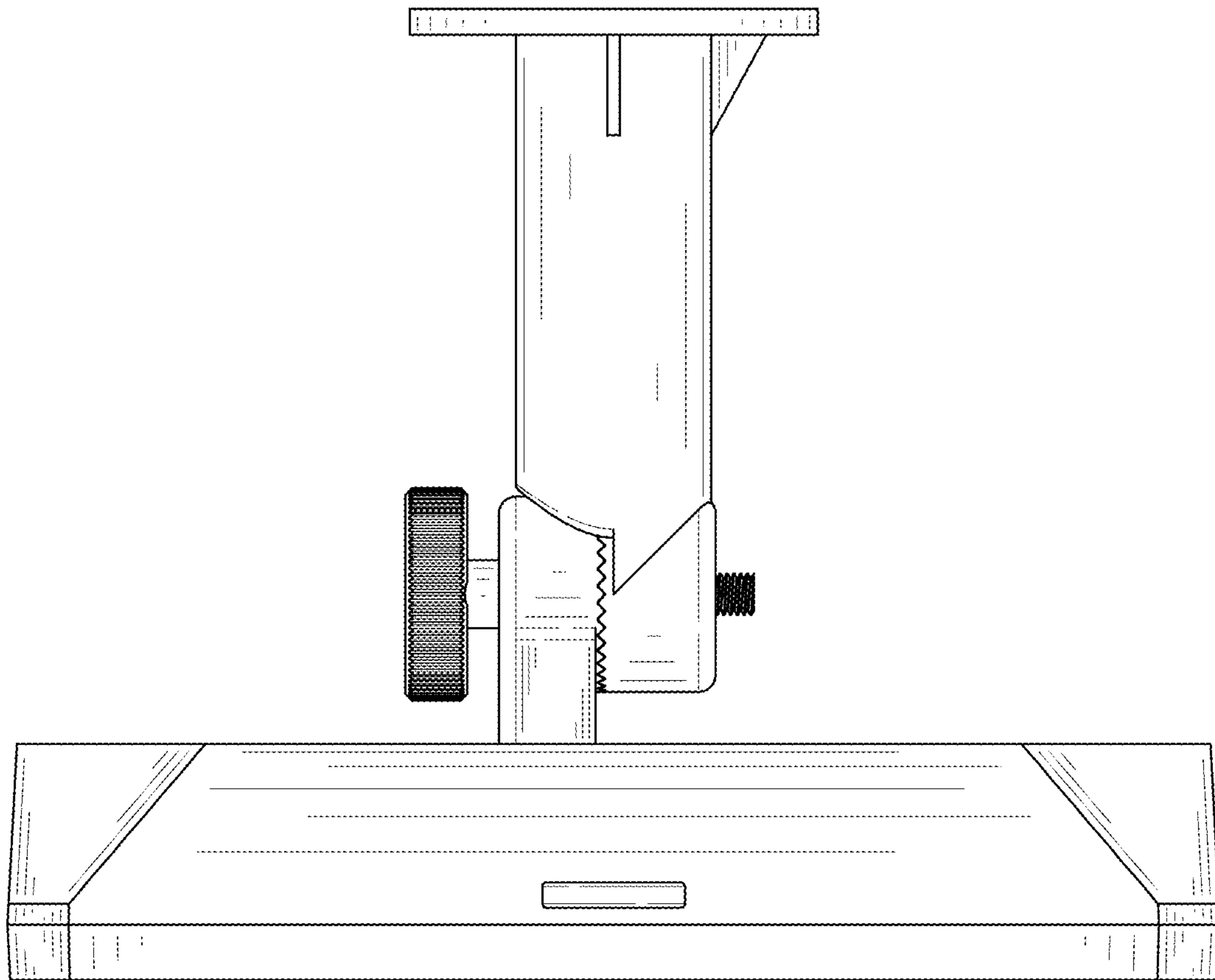


FIG. 7

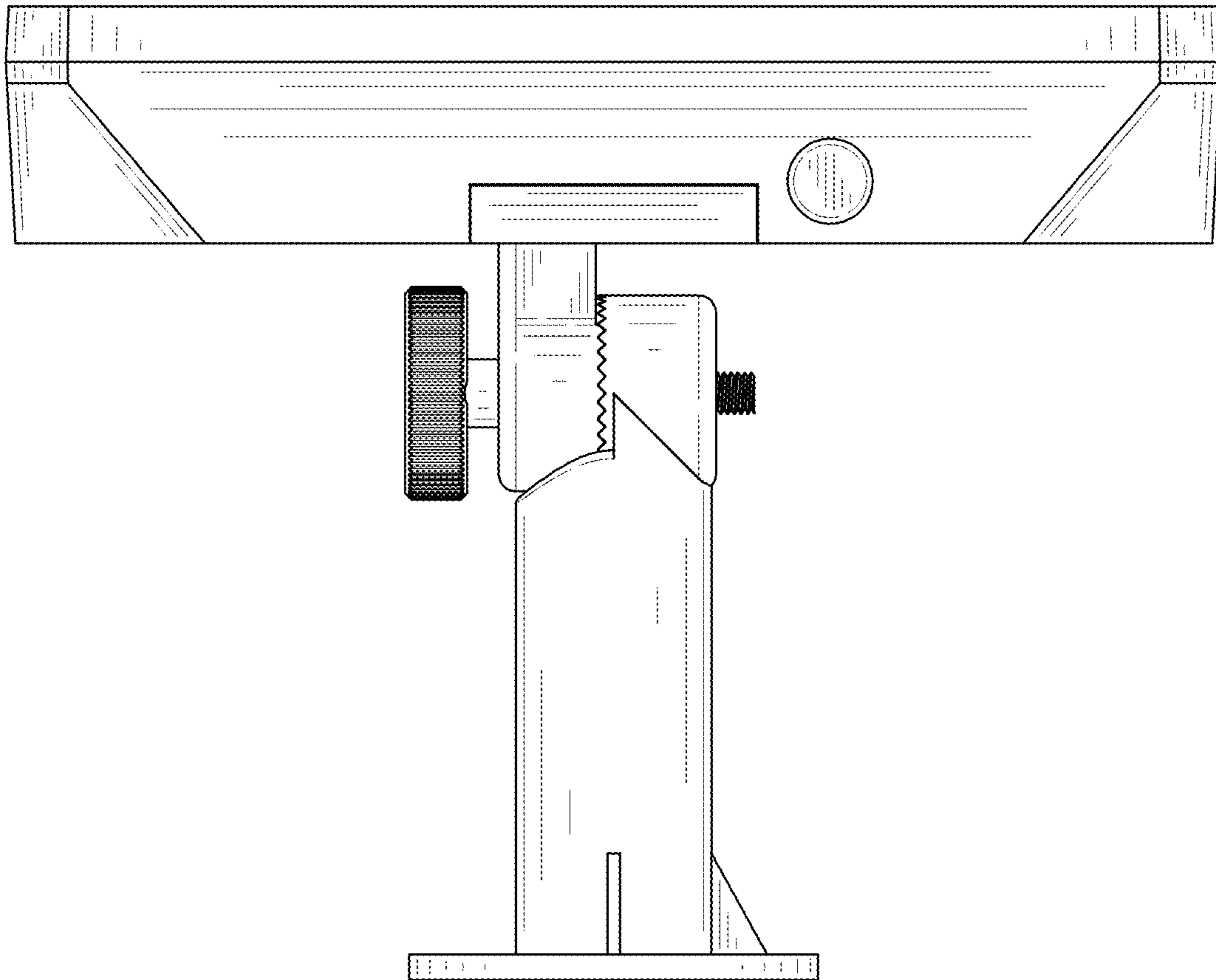


FIG. 8