



US00D951857S

(12) **United States Design Patent**
Wang

(10) **Patent No.:** **US D951,857 S**

(45) **Date of Patent:** **** May 17, 2022**

- (54) **SOLAR PANEL**
- (71) Applicant: **Baoling Wang**, Pizhou (CN)
- (72) Inventor: **Baoling Wang**, Pizhou (CN)
- (**) Term: **15 Years**
- (21) Appl. No.: **29/785,958**
- (22) Filed: **May 28, 2021**
- (51) **LOC (13) Cl.** **13-02**
- (52) **U.S. Cl.**
USPC **D13/102**
- (58) **Field of Classification Search**
USPC D13/102, 101, 103, 107, 108, 184, 199;
D26/63, 67, 68, 71, 72
CPC H01L 31/00; H01L 31/18; H01L 31/042;
H01L 31/045; H01L 31/048; H01L
31/052; H01L 31/054; H01L 31/0475;
H01L 31/0485; H01M 10/052; H01M
10/465; H02S 30/10; H02S 30/20; H02S
10/40; H02S 40/42; Y02E 10/50; Y02E
10/52; Y10S 136/291; Y10S 136/293;
H02J 7/355; G06F 1/1628; F21S 8/006
See application file for complete search history.

- D633,437 S * 3/2011 Chilton D13/102
- D689,016 S 9/2013 Nook et al.
- D689,817 S * 9/2013 Sun D13/102
- D729,156 S 5/2015 Nook et al.
- D748,573 S * 2/2016 Becker D13/102
- D902,145 S * 11/2020 Yang D13/102

* cited by examiner

Primary Examiner — Derrick E Holland

- (56) **References Cited**
U.S. PATENT DOCUMENTS
D567,170 S 4/2008 Chung et al.
D628,148 S * 11/2010 English D13/102

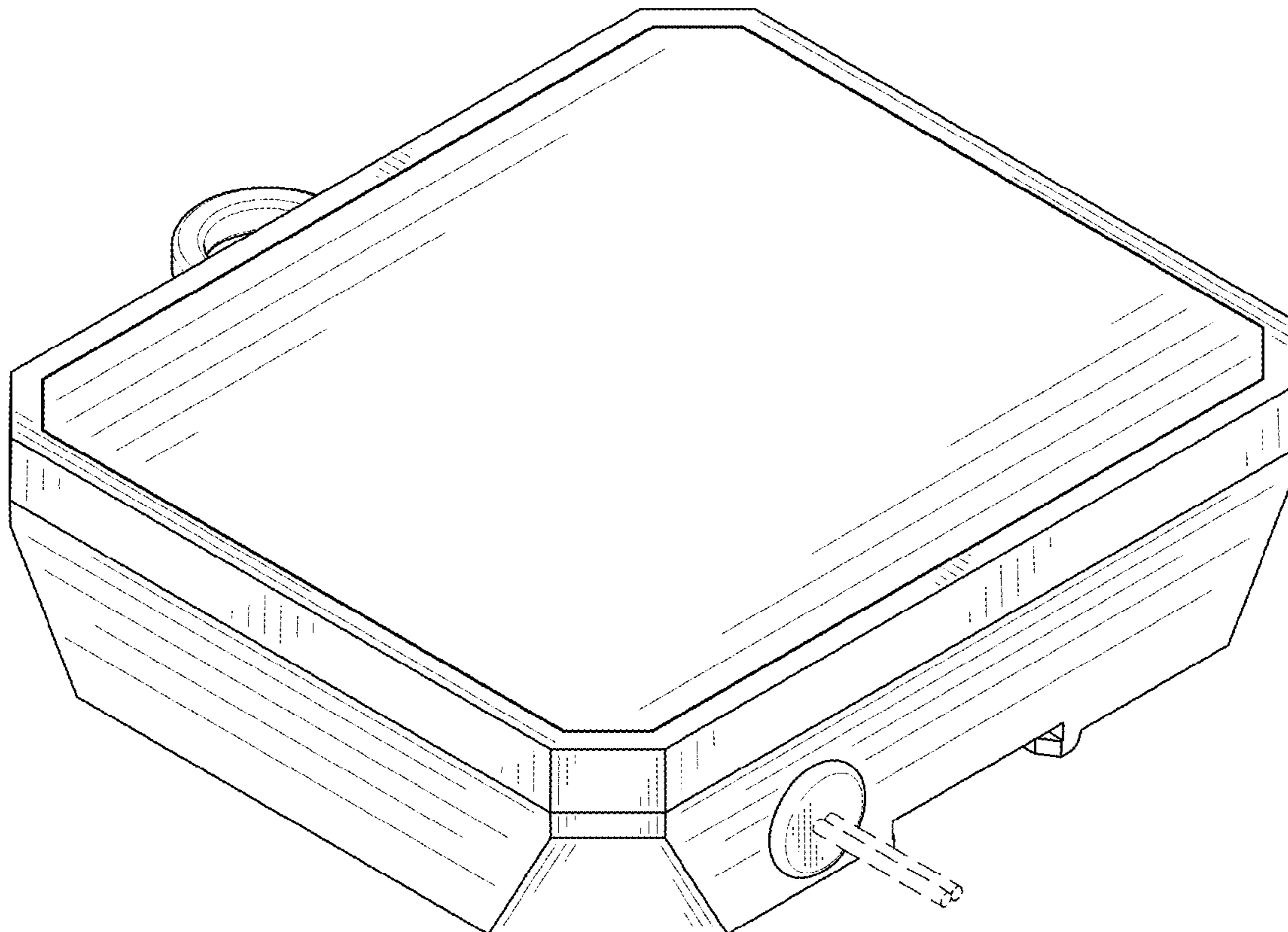
(57) **CLAIM**

The ornamental design for a solar panel, as shown and described.

DESCRIPTION

FIG. 1 is a first perspective view of a solar panel showing my new design;
 FIG. 2 is a second perspective view thereof;
 FIG. 3 is a front view thereof;
 FIG. 4 is a back view thereof;
 FIG. 5 is a left side view thereof;
 FIG. 6 is a right side view thereof;
 FIG. 7 is a top view thereof; and,
 FIG. 8 is a bottom view thereof.
 The broken lines shown in the drawings depict portions of the solar panel in which the design is embodied that form no part of the claimed design.

1 Claim, 8 Drawing Sheets



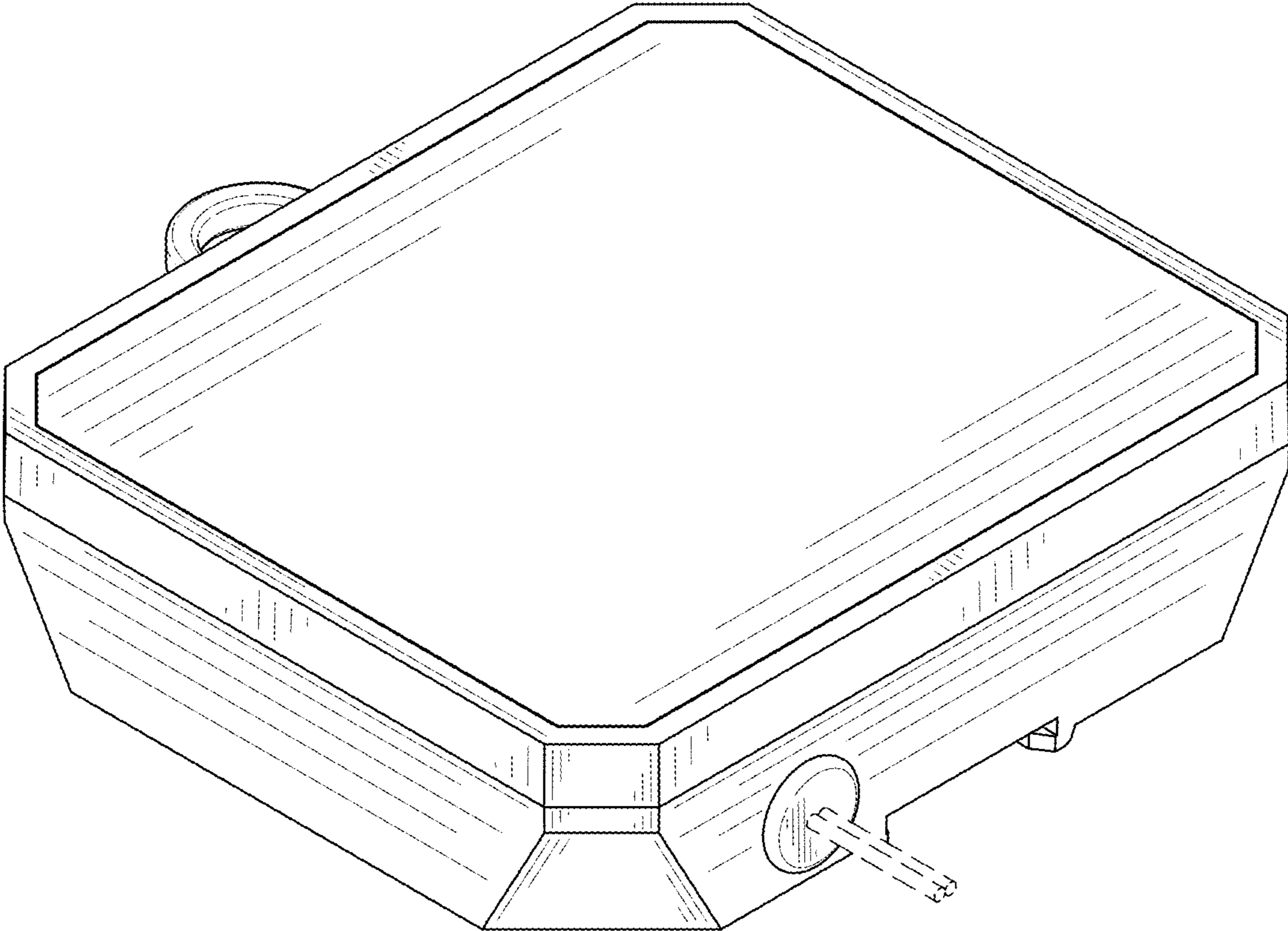


FIG. 1

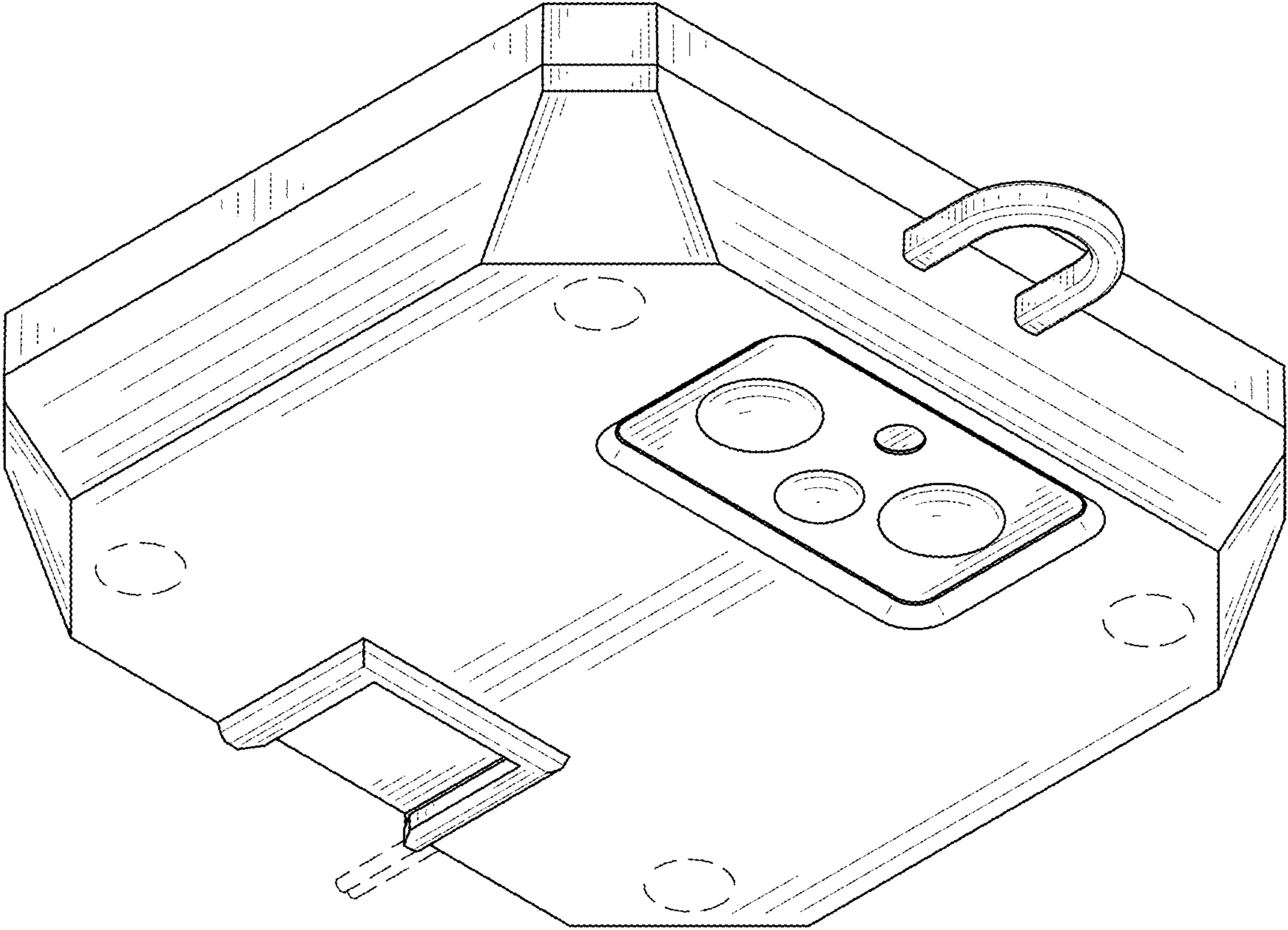


FIG. 2

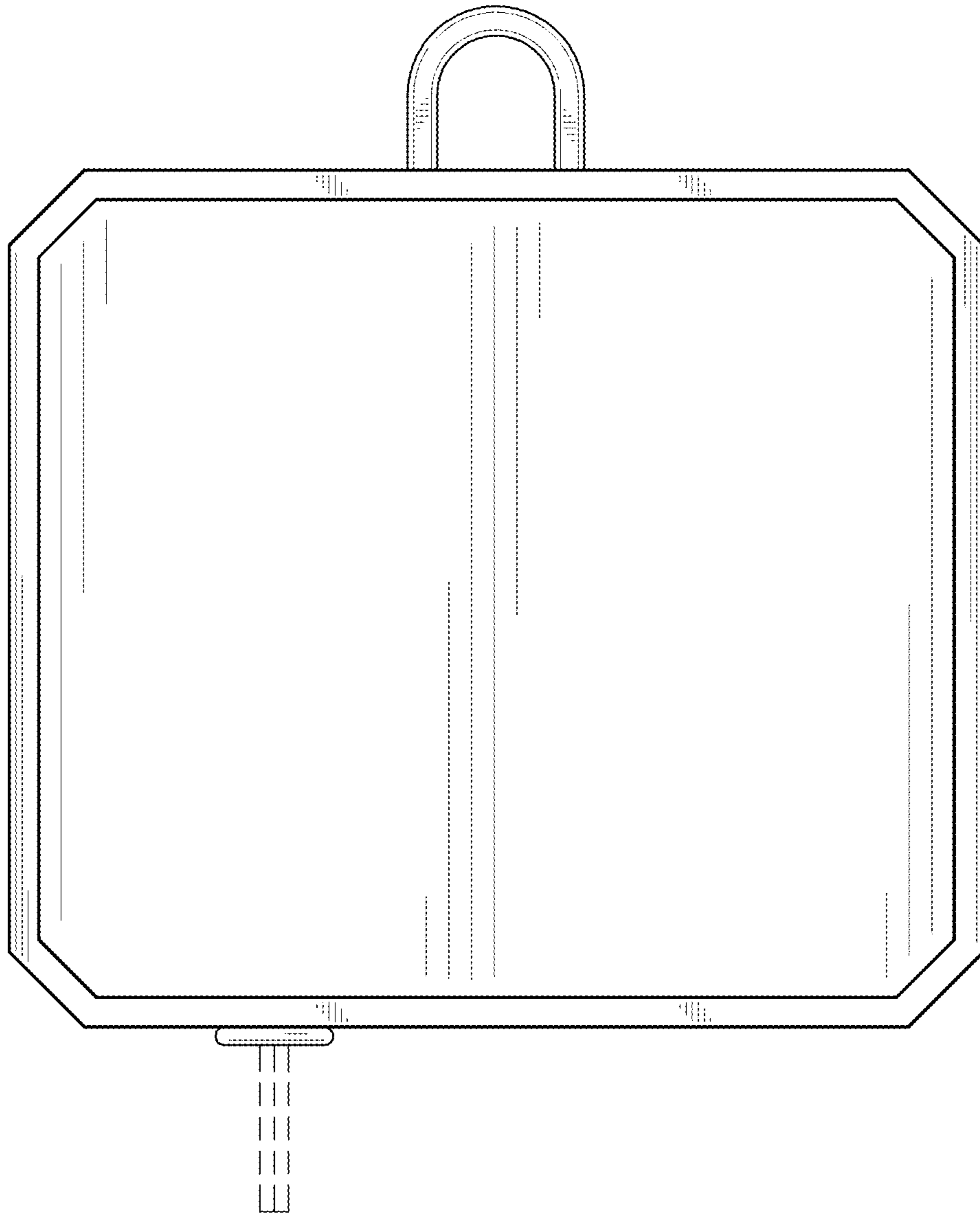


FIG. 3

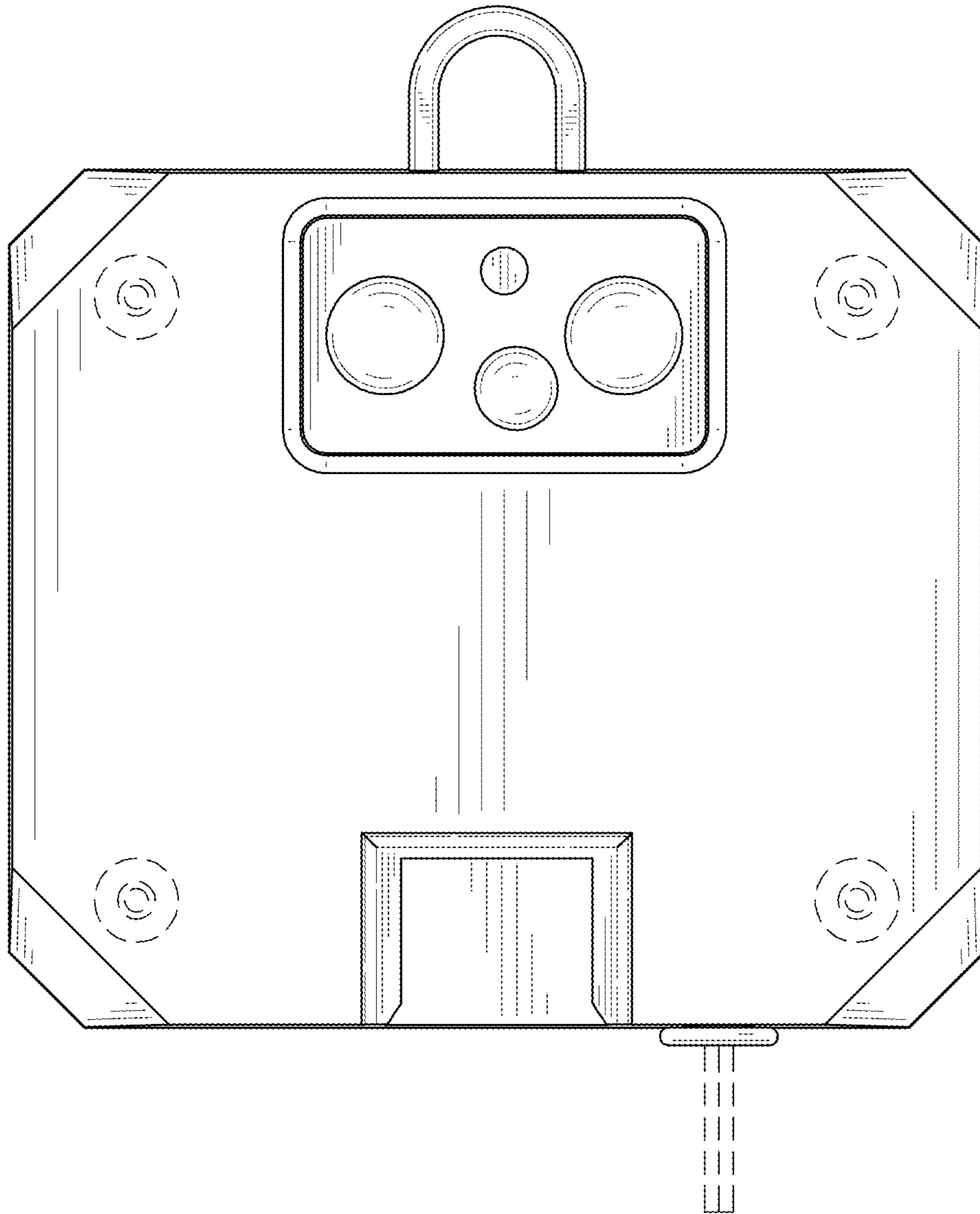


FIG. 4

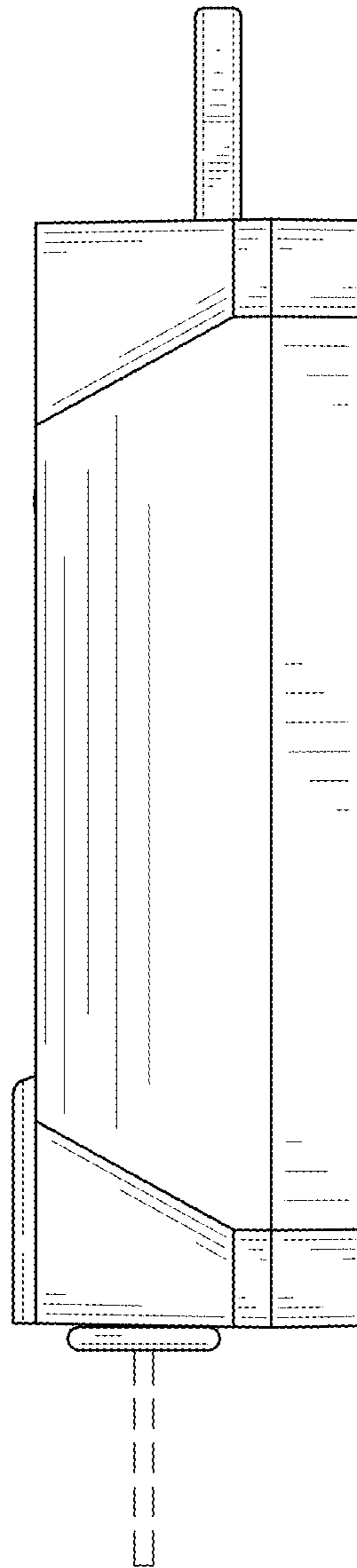


FIG. 5

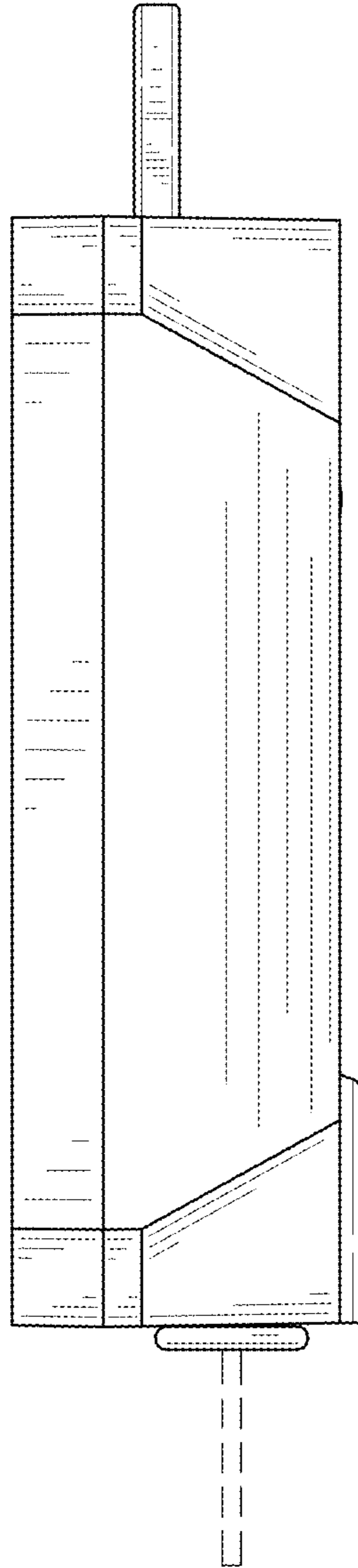


FIG. 6

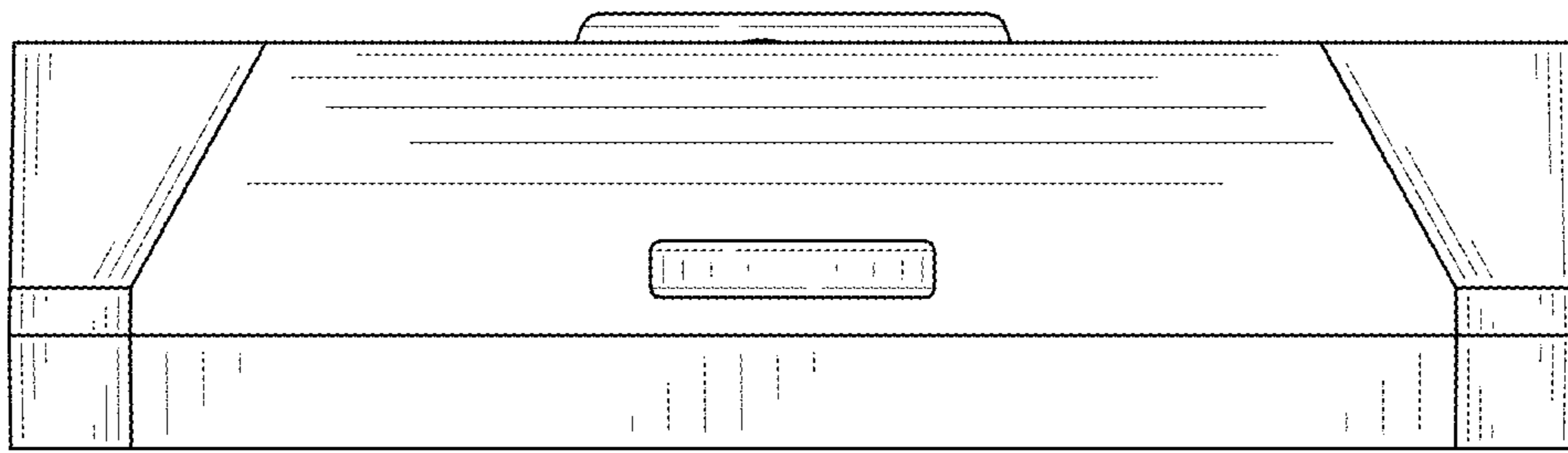


FIG. 7

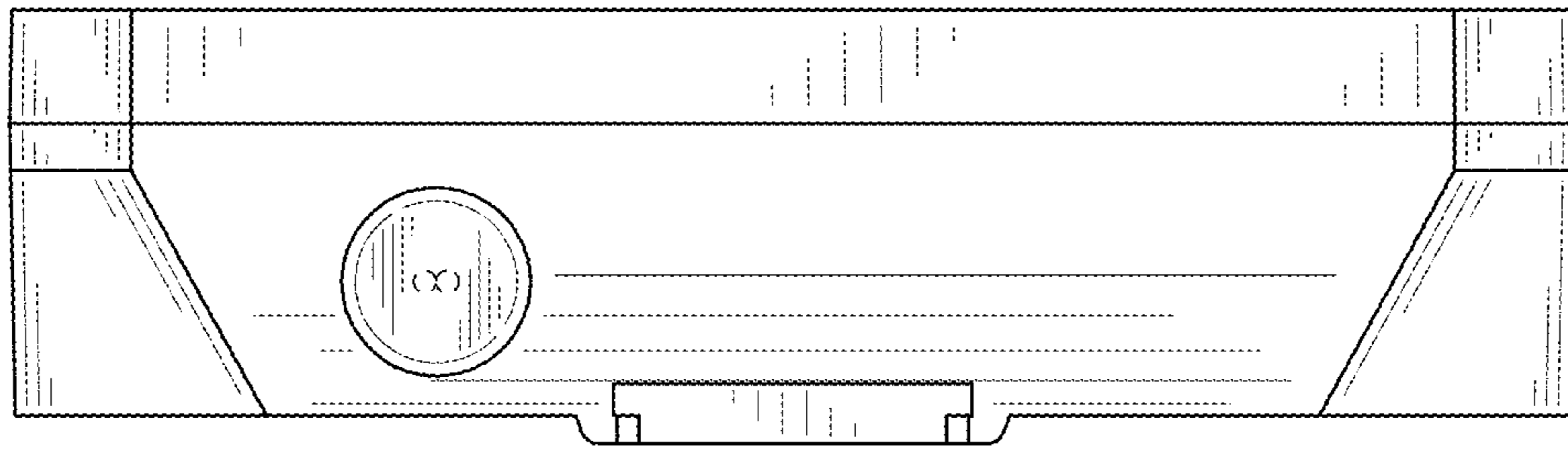


FIG. 8