



US00D951856S

(12) **United States Design Patent** (10) **Patent No.:** **US D951,856 S**
Smith et al. (45) **Date of Patent:** **** May 17, 2022**

(54) **POWER ADAPTER**

(71) Applicant: **ZEBRA TECHNOLOGIES CORPORATION**, Lincolnshire, IL (US)

(72) Inventors: **Cameron James Smith**, Whitchurch (GB); **Edward Anthony Hackett**, Surbiton (GB); **Daniel V. Carroll**, Port Barrington, IL (US)

(73) Assignee: **Zebra Technologies Corporation**, Lincolnshire, IL (US)

(**) Term: **15 Years**

(21) Appl. No.: **29/747,547**

(22) Filed: **Aug. 24, 2020**

(51) **LOC (13) Cl.** **13-02**

(52) **U.S. Cl.**
USPC **D13/102**

(58) **Field of Classification Search**
USPC D13/101, 102, 103, 107, 108, 110, 184, D13/199

CPC H01L 31/00; H01L 31/042; H01L 31/045; H01L 31/048; H01L 31/052; H01L 31/465; H02S 30/10; H02S 30/20; Y02E 10/42; Y02E 10/50; Y02E 10/52; Y10S 136/291; Y10S 136/293; H02J 7/008; H02J 7/355

See application file for complete search history.

(56) **References Cited**

U.S. PATENT DOCUMENTS

D366,932 S * 2/1996 Yehl D23/364
D376,365 S * 12/1996 Kawada D14/217
D795,629 S * 8/2017 Ullman D7/306
D828,912 S * 9/2018 Powell D23/366
D870,375 S * 12/2019 Patil D27/194
D872,017 S * 1/2020 Huang D13/110
D875,676 S * 2/2020 Segev D13/108
D882,510 S * 4/2020 Theis D13/103

D889,399 S * 7/2020 Zou D13/107
D900,022 S * 10/2020 Bell D13/103
D908,081 S * 1/2021 Huang D13/102
D912,456 S * 3/2021 Lamier D7/332

(Continued)

FOREIGN PATENT DOCUMENTS

CN 201920585771 4/2019

OTHER PUBLICATIONS

Batteries.(Design—©Questel) orbit.com. [Online PDF compilation of references] 50 pgs. Print Dates Range Jan. 22, 2021-Jun. 25, 2021 [Retrieved Jul. 25, 2021].*

(Continued)

Primary Examiner — Manpreet S Matharu

Assistant Examiner — Suzanne E Tisdell

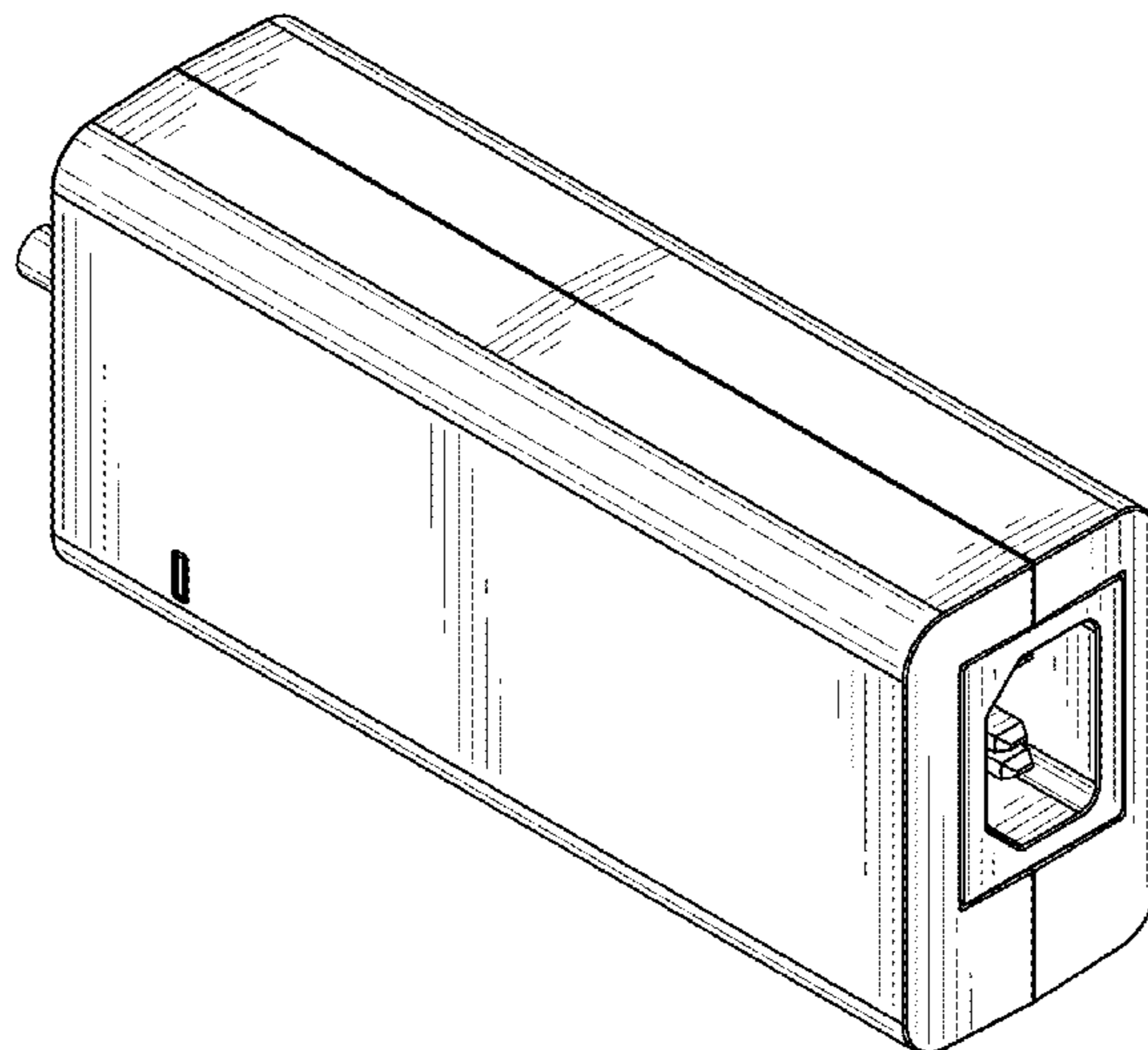
(57) **CLAIM**

We claim the ornamental design for a power adapter, as shown and described.

DESCRIPTION

FIG. 1 is a front perspective view of a power adapter; FIG. 2 is a rear perspective view thereof; FIG. 3 is a front view thereof; FIG. 4 is a rear view thereof; FIG. 5 is a first side view thereof; FIG. 6 is a second side view thereof; FIG. 7 is a top view thereof; and FIG. 8 is a bottom view thereof. FIG. 9 is a front perspective view of a power adapter; FIG. 10 is a rear perspective view thereof; FIG. 11 is a front view thereof; FIG. 12 is a rear view thereof; FIG. 13 is a first side view thereof; FIG. 14 is a second side view thereof; FIG. 15 is a top view thereof; and, FIG. 16 is a bottom view thereof.

1 Claim, 16 Drawing Sheets



(56)

References Cited

U.S. PATENT DOCUMENTS

D925,821 S * 7/2021 Cruice D27/162
D928,704 S 8/2021 Ebrahimi Afrouzi et al.

OTHER PUBLICATIONS

“TKDY DR E18 DC Coupler ACK E18 AC Power Adapter.” Aug. 1, 2017. Amazon. https://www.amazon.com/ACK-E18-Adapter-Charger-Coupler-Replace/dp/B074K181L8/ref=psdc_13535461_t2_B08XW1RZNN.*

“SinFoxeon ACK-E18 Camera AC Power Adapter.” May 12, 2020. Amazon. https://www.amazon.com/dp/B088GYJHX8/ref=sspa_dk_detail_6?psc=1&pd_rd_i=B088GYJHX8p13NParams&spLa=ZW5jenlwdGVkUXVhbGlma.*

“FITP ACK-E18 AC Power Supply Adapter.” Jul. 23, 2017. Amazon. https://www.amazon.com/FIT-POWER-ACK-E18-Adapter-Charger-Coupler/dp/B0746KXJ26/ref=pd_di_sccai_5/141-4877602-3041268?pd_rd_w=W9glz&pf_rd_p=c9443270-b914-4430-a90b-72e3e7e784e0&pf_rd_r=AQV17YT4A9QFT03X3VFN&pd_rd.*

Zebra. “PWR-BUA5V16WOWW—Zebra Power Supply.” The ZPS Store, retrieved on Oct. 18, 2021 (Oct. 18, 2021) from <https://www.zpsstore.com/pwr-bua5v16w0ww-zebra-power-supply/>.

* cited by examiner

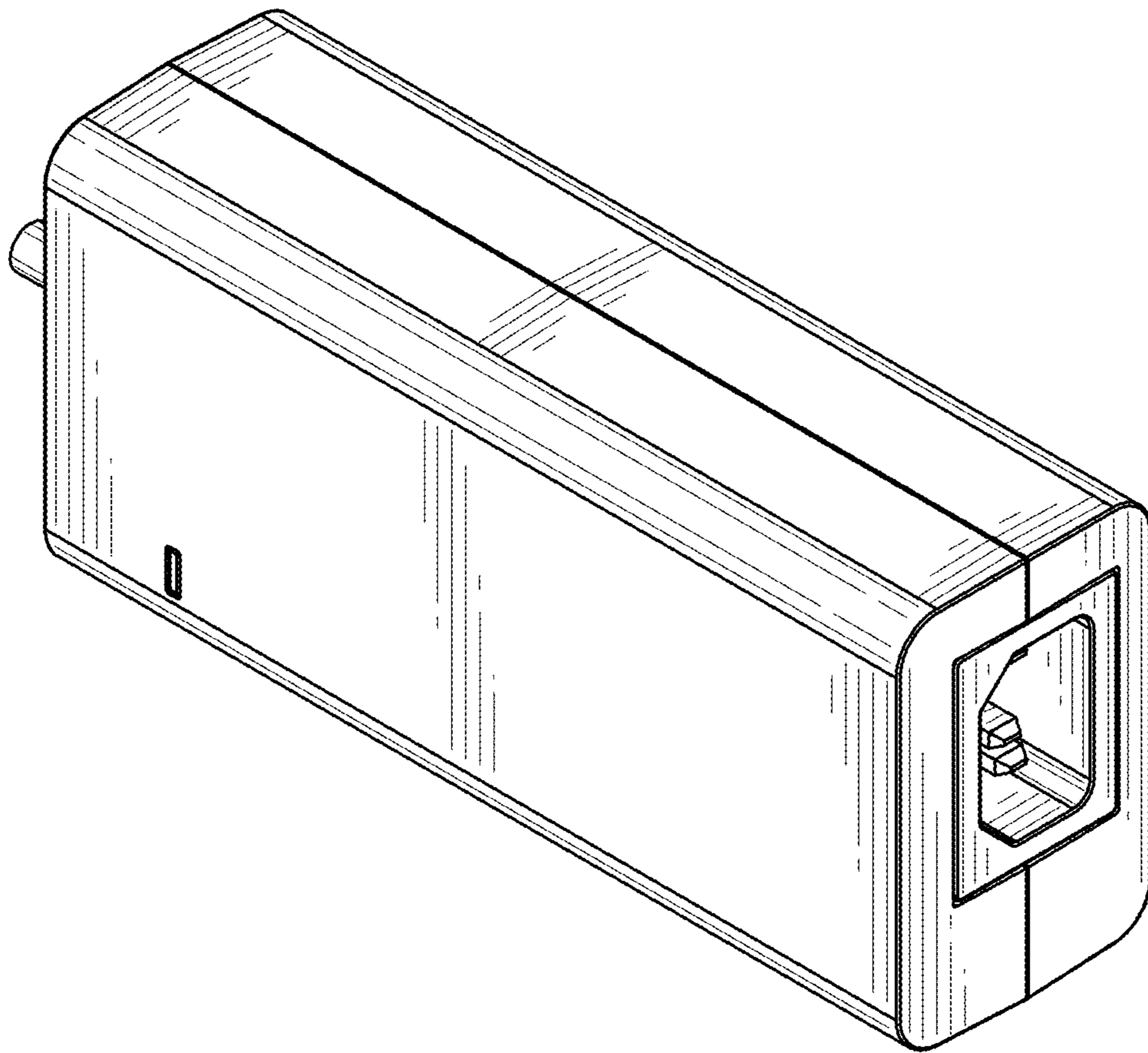


FIG. 1

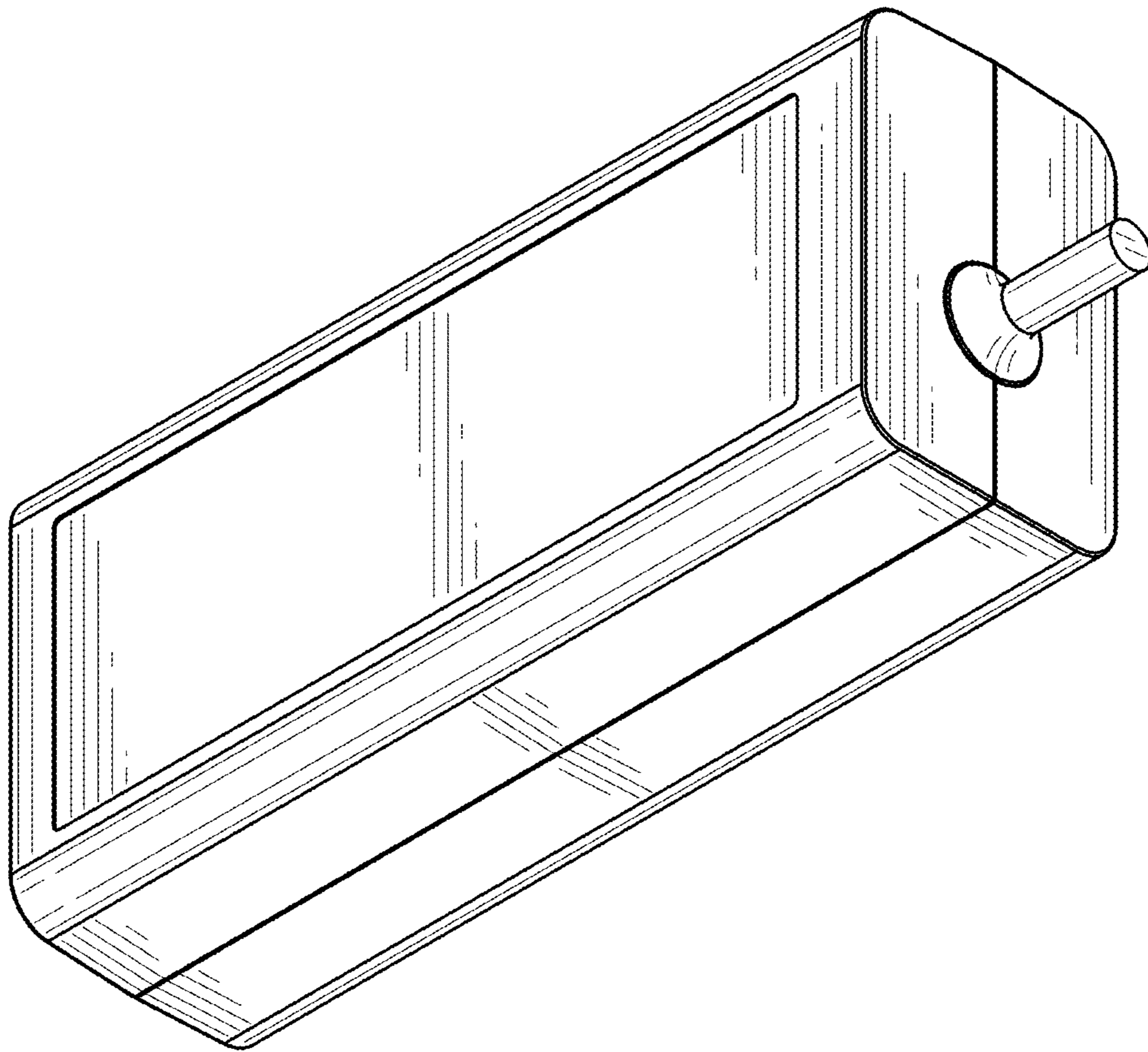


FIG. 2

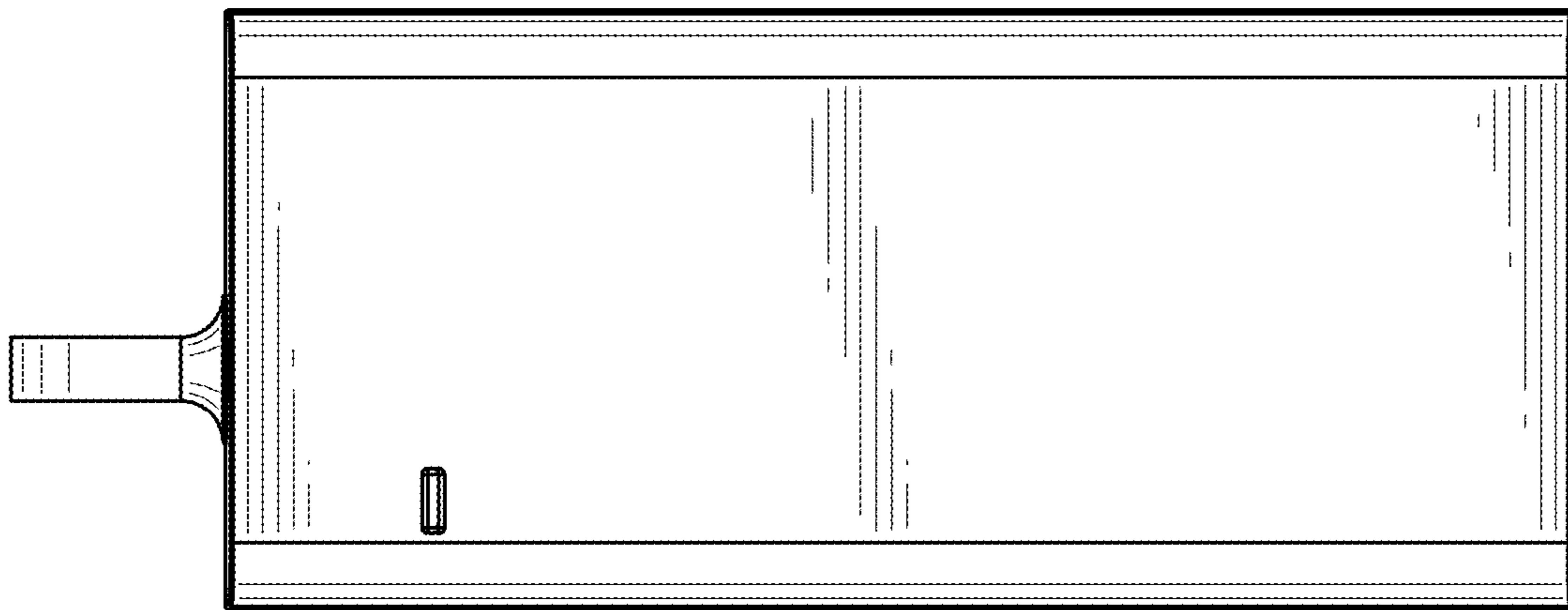


FIG. 3

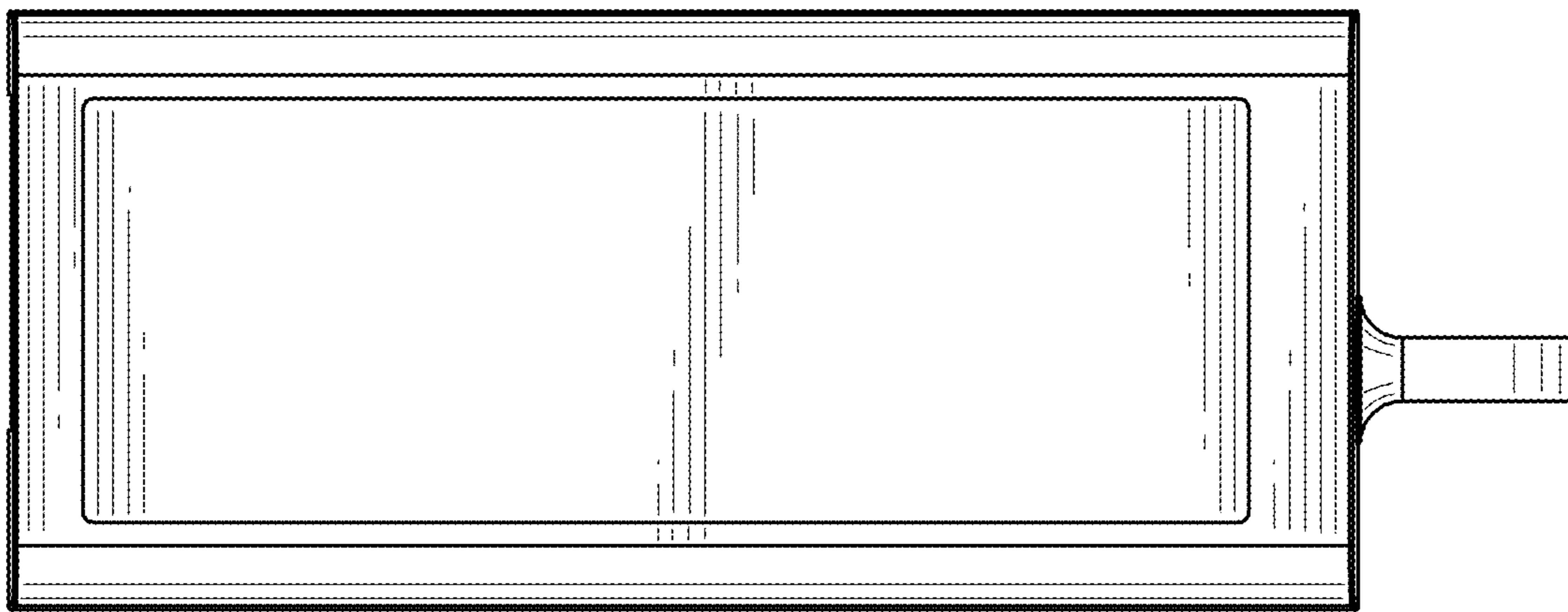


FIG. 4

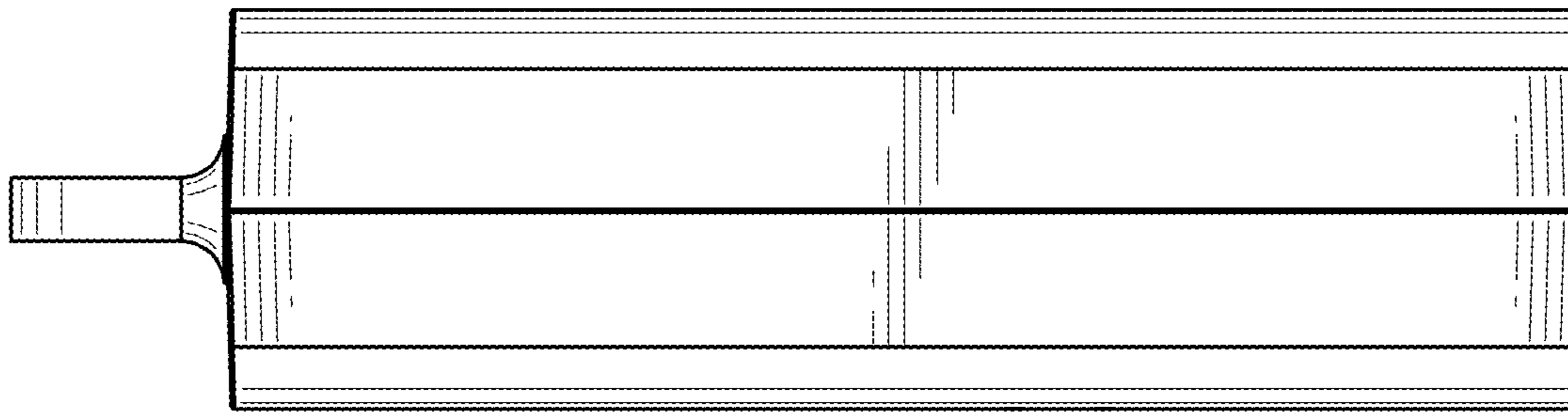


FIG. 5

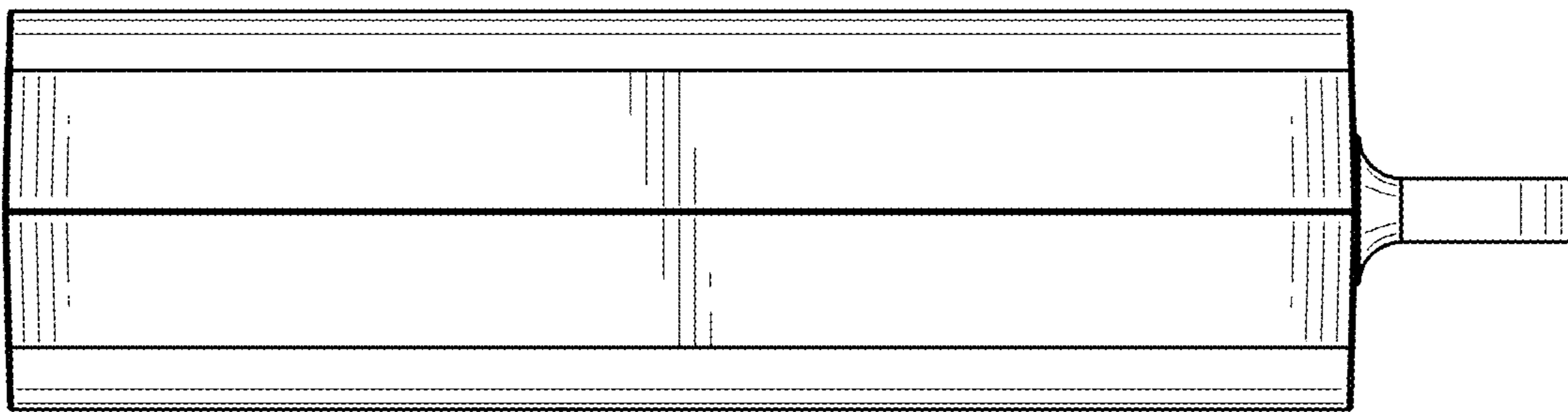


FIG. 6

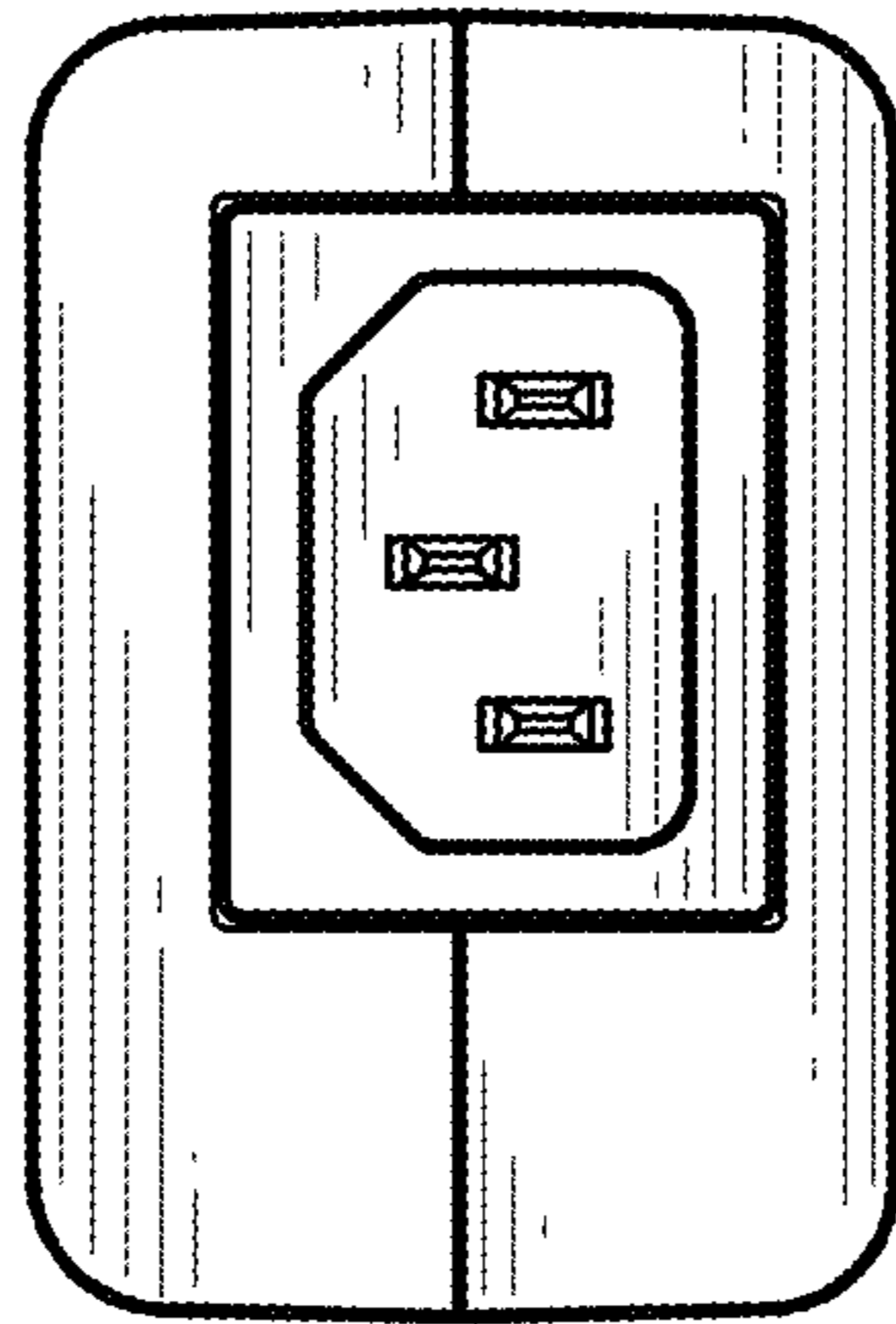


FIG. 7

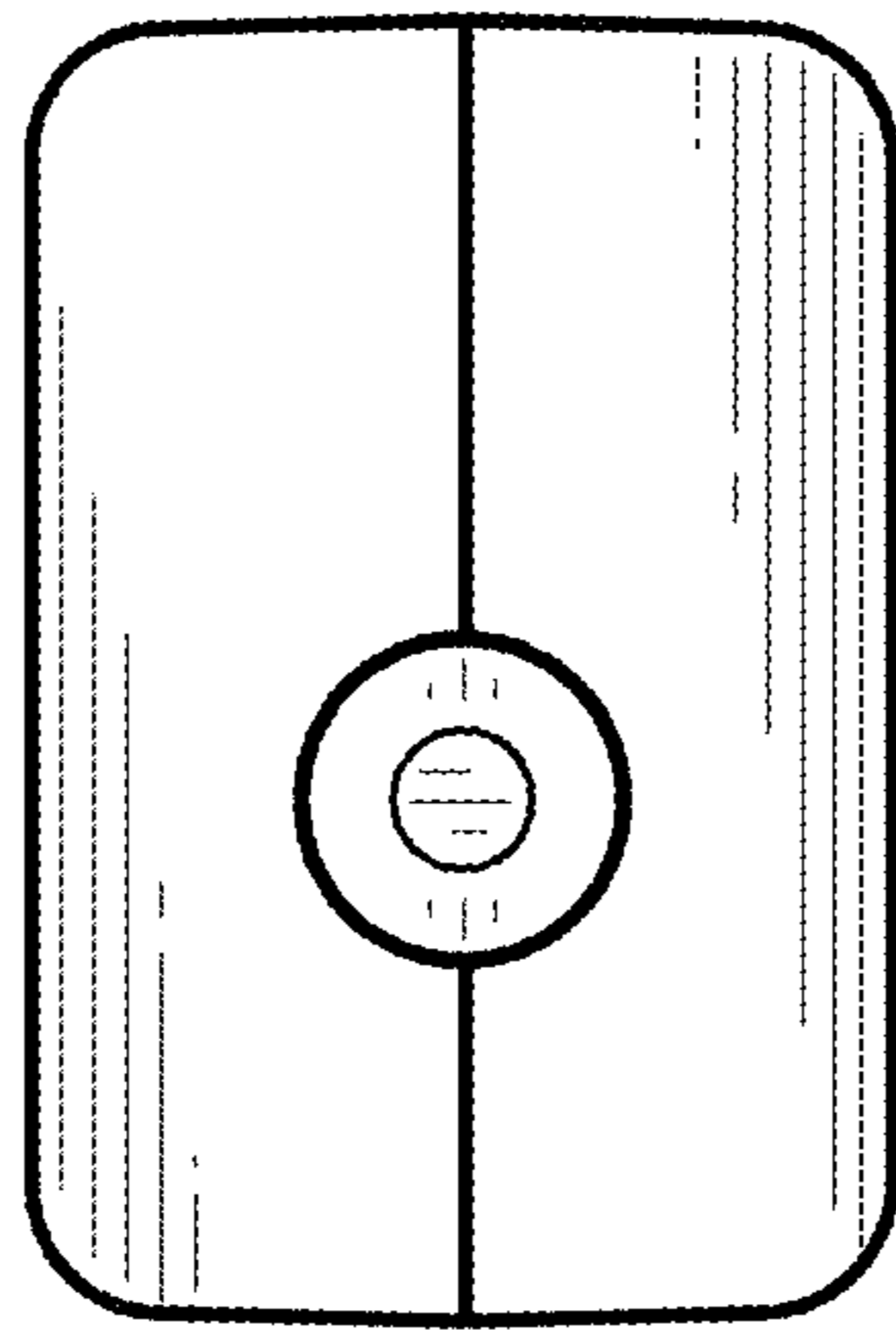


FIG. 8

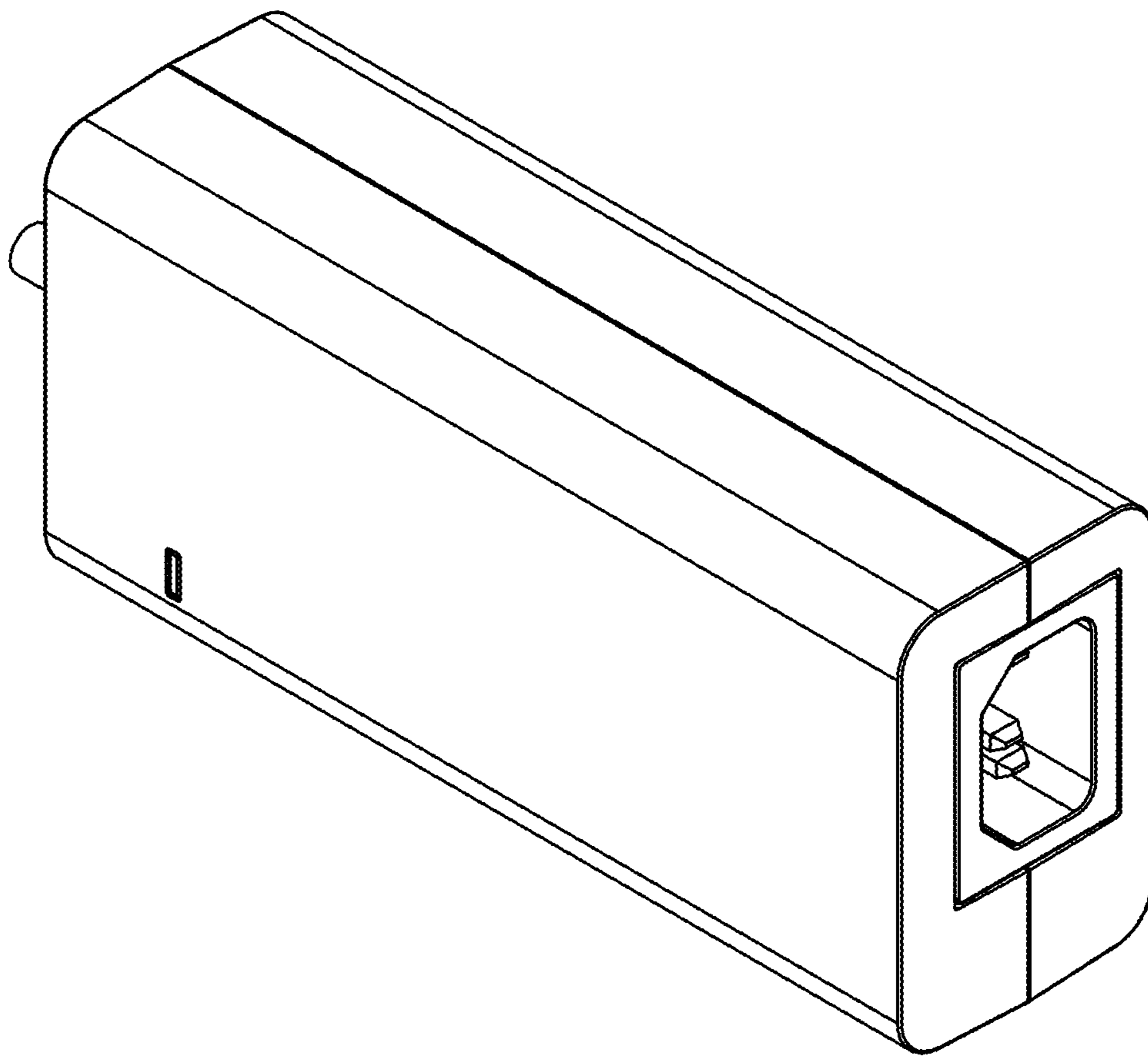


FIG. 9

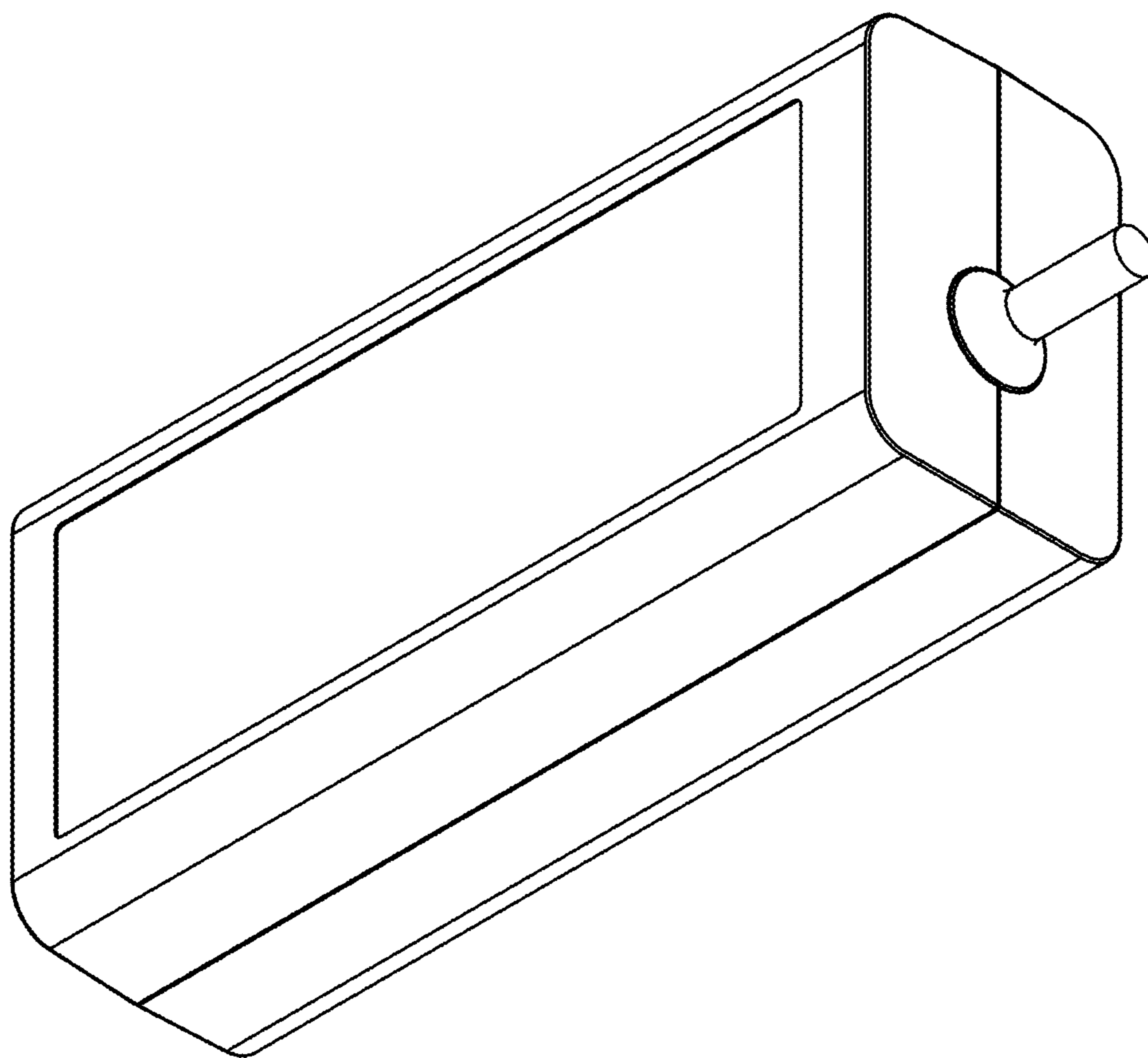


FIG. 10

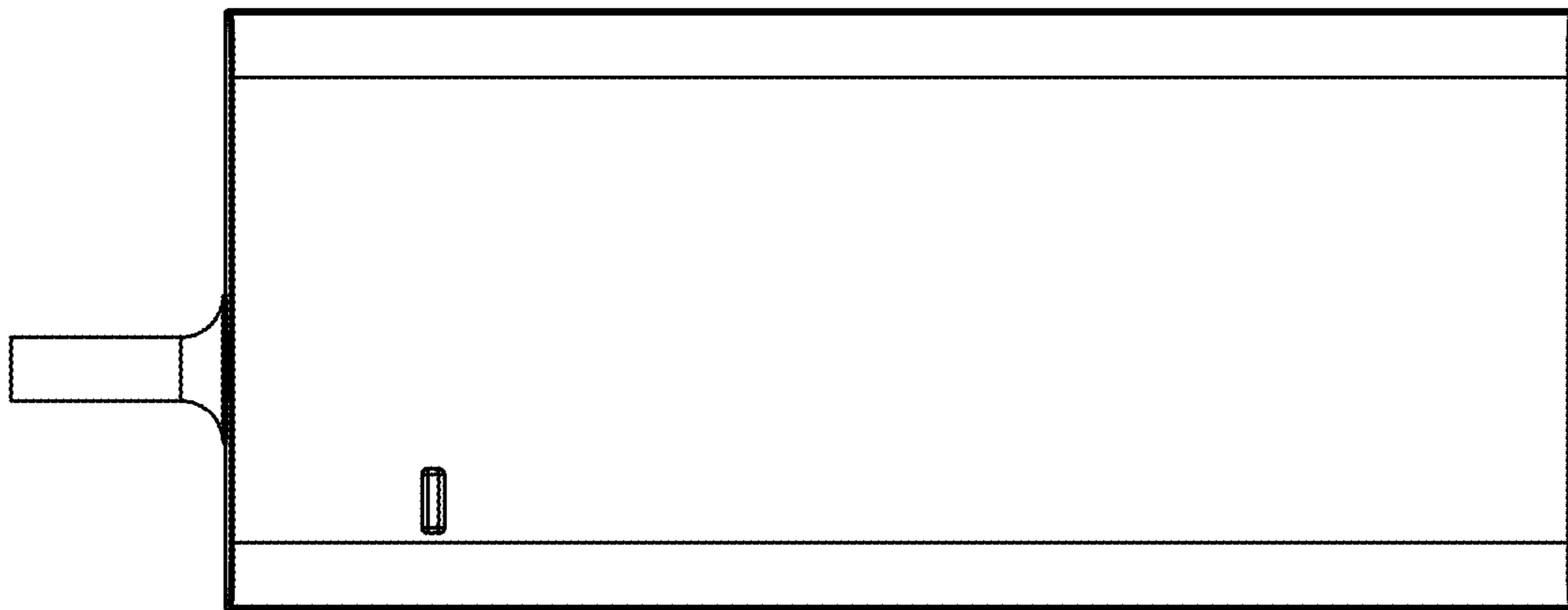


FIG. 11

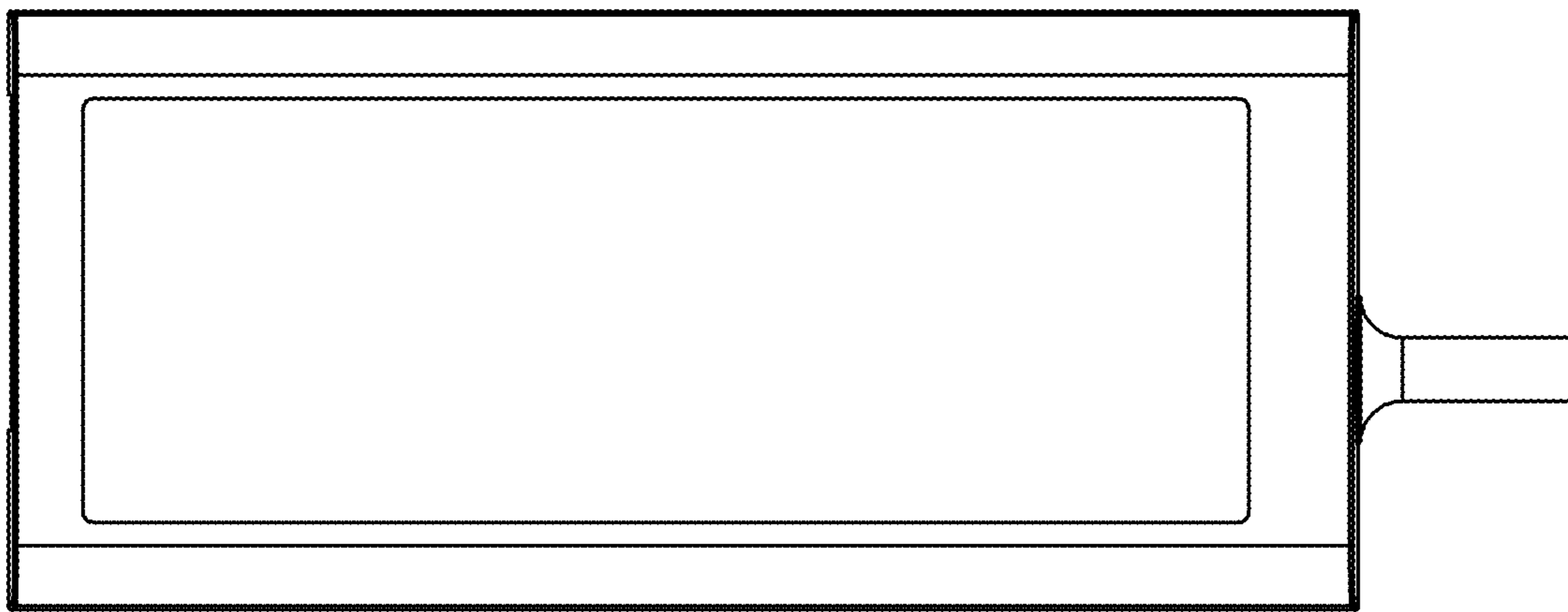


FIG. 12

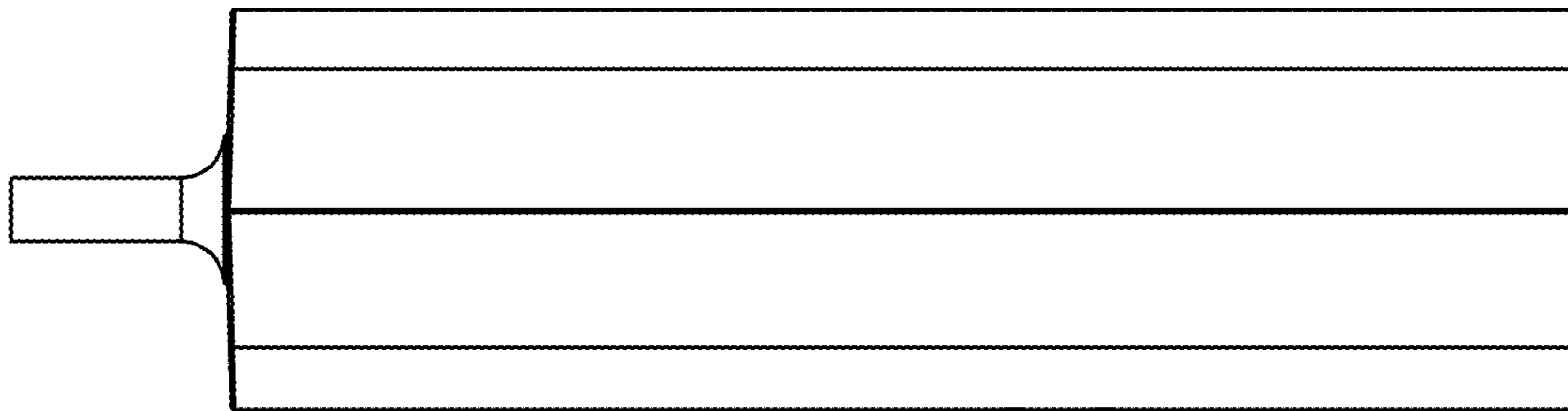


FIG. 13

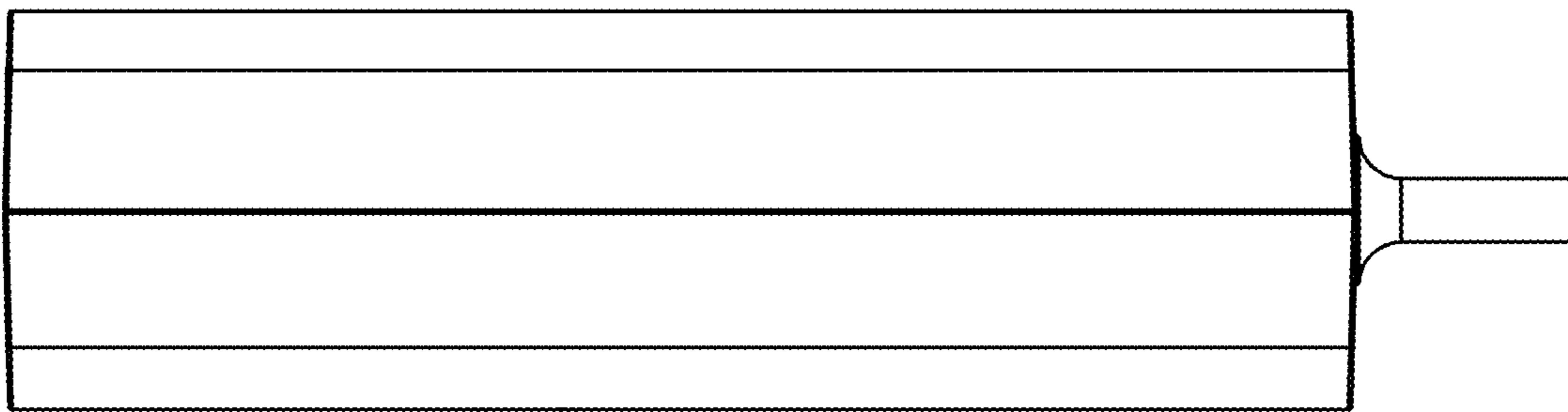


FIG. 14

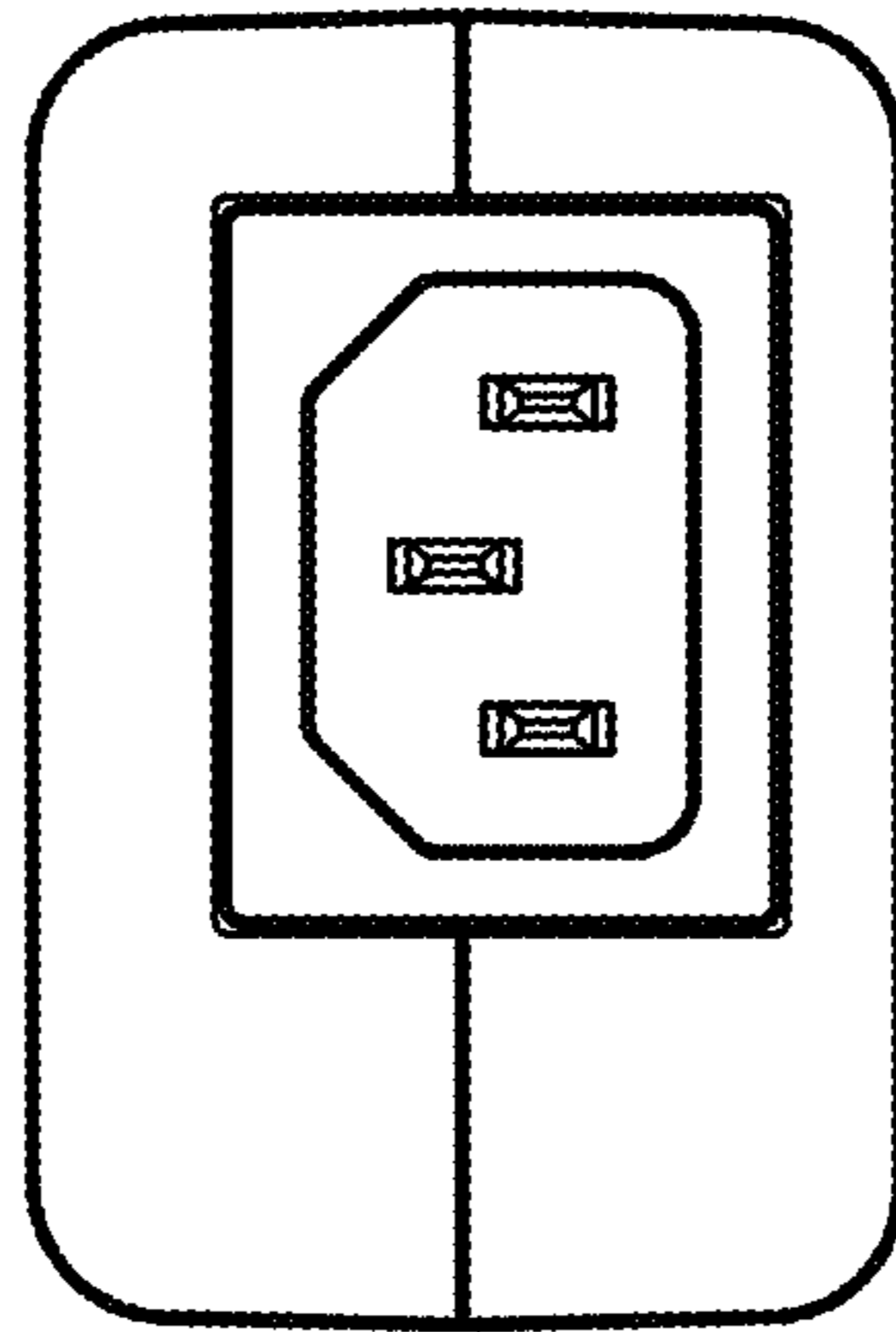


FIG. 15

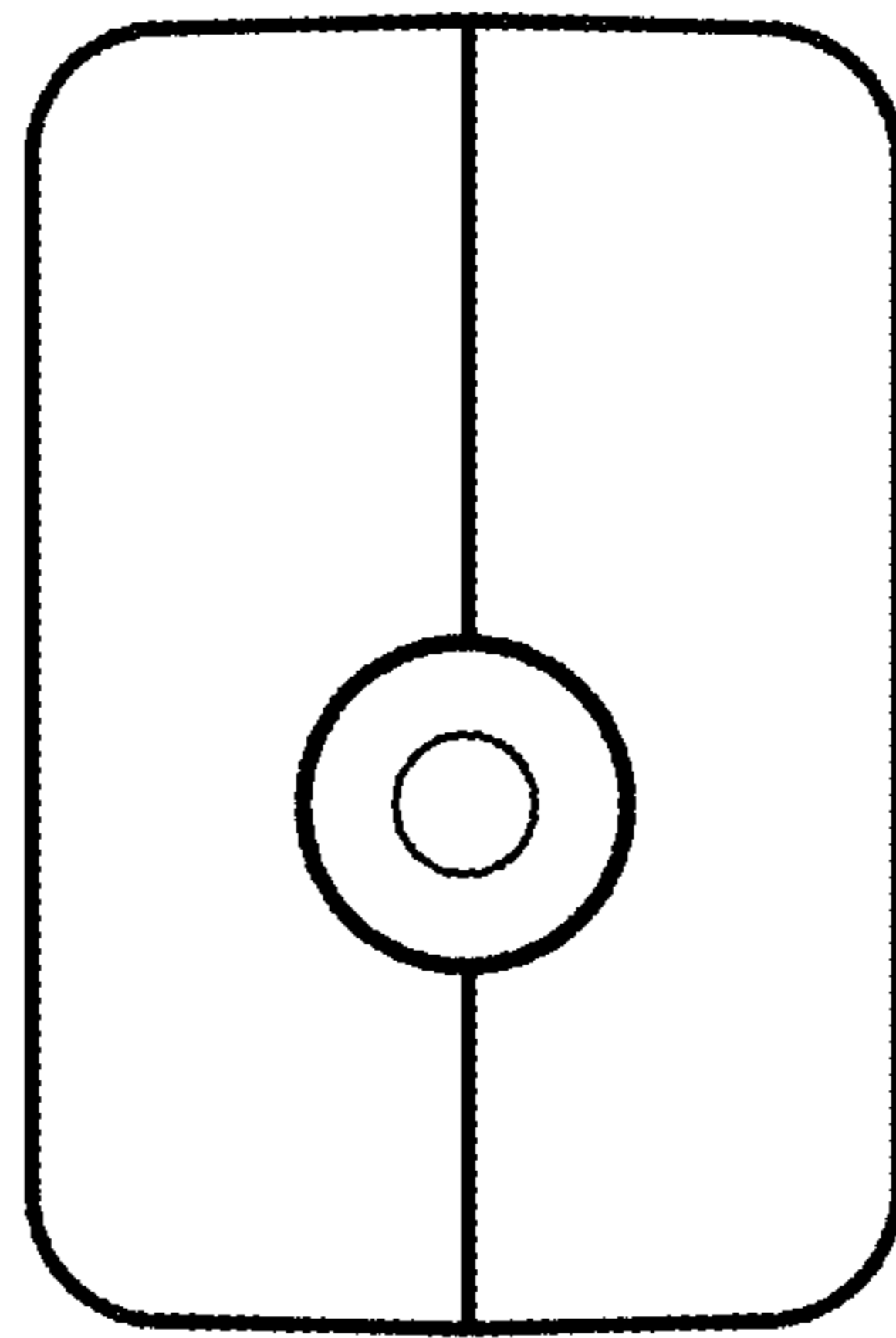


FIG. 16