



US00D951852S

(12) **United States Design Patent**
Ackeret et al.

(10) **Patent No.:** **US D951,852 S**

(45) **Date of Patent:** **** May 17, 2022**

(54) **VEHICLE MOUNT**

FOREIGN PATENT DOCUMENTS

(71) Applicant: **Kinetix AG**, Chur (CH)

CN 304482933 1/2018

WO WO D092188-001 2/2017

(72) Inventors: **Peter Ackeret**, Zurich (CH); **Michael Andreas Keller**, Freudenstadt (DE); **Walter Funk**, Simmersfeld (DE)

WO WO D092188-002 2/2017

OTHER PUBLICATIONS

(73) Assignee: **KINETIX AG**, Chur (CH)

U.S. Appl. No. 29/689,209, filed Apr. 29, 2019.

U.S. Appl. No. 29/689,211, filed Apr. 29, 2019.

U.S. Appl. No. 35/502,438, filed Aug. 12, 2016.

(**) Term: **15 Years**

Primary Examiner — Rebekah A Caruso

(21) Appl. No.: **29/689,219**

(74) *Attorney, Agent, or Firm* — Leydig, Voit & Mayer, Ltd.

(22) Filed: **Apr. 29, 2019**

(57) **CLAIM**

The ornamental design for a vehicle mount, as shown and described.

Related U.S. Application Data

DESCRIPTION

(62) Division of application No. 35/502,438, filed on Aug. 12, 2016 (U.S. filing date under 35 U.S.C. 384), and (Continued)

FIG. 1 is a front-top-left perspective view of a vehicle mount showing a first embodiment of our new design;

FIG. 2 is a left-side view thereof;

FIG. 3 is a right-side view thereof;

FIG. 4 is a front view thereof;

FIG. 5 is a back view thereof;

FIG. 6 is a top view thereof; and

FIG. 7 is a bottom view thereof; and

FIG. 8 is a front-top-left perspective view of a vehicle mount showing a second embodiment of our new design;

FIG. 9 is a left-side view thereof;

FIG. 10 is a right-side view thereof;

FIG. 11 is a front view thereof;

FIG. 12 is a back view thereof;

FIG. 13 is a top view thereof; and

FIG. 14 is a bottom view thereof.

The broken lines shown in the drawings depict portions of the vehicle mount that form no part of the claimed design.

(30) **Foreign Application Priority Data**

Feb. 16, 2016 (DE) 40 2016 100 156.7

(51) **LOC (13) Cl.** **12-16**

(52) **U.S. Cl.**
USPC **D12/416; D14/253**

(58) **Field of Classification Search**

USPC D14/251–253, 224, 224.1, 432–434, 447, D14/451, 452; D12/415, 426.1, 223, 406,

(Continued)

(56) **References Cited**

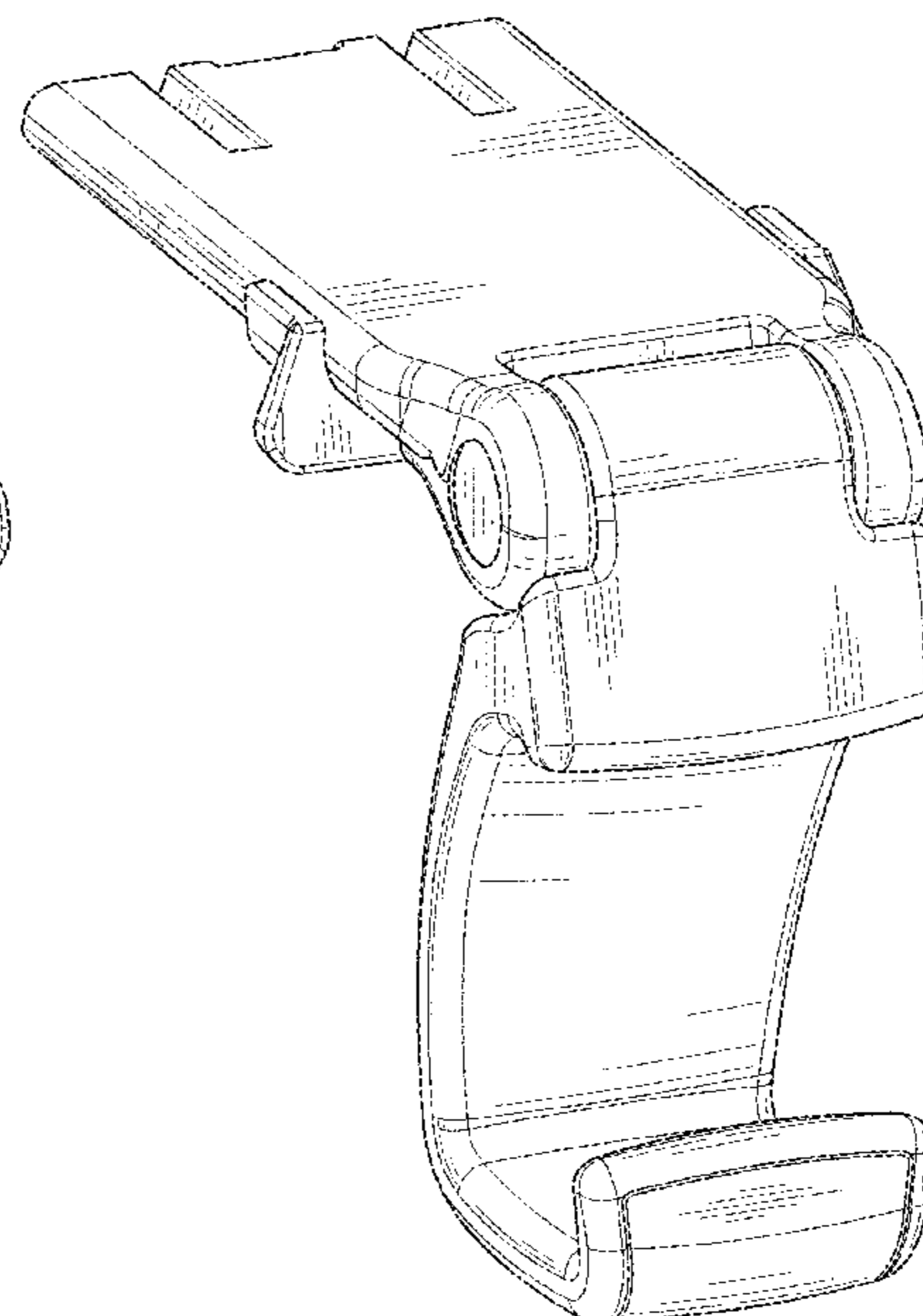
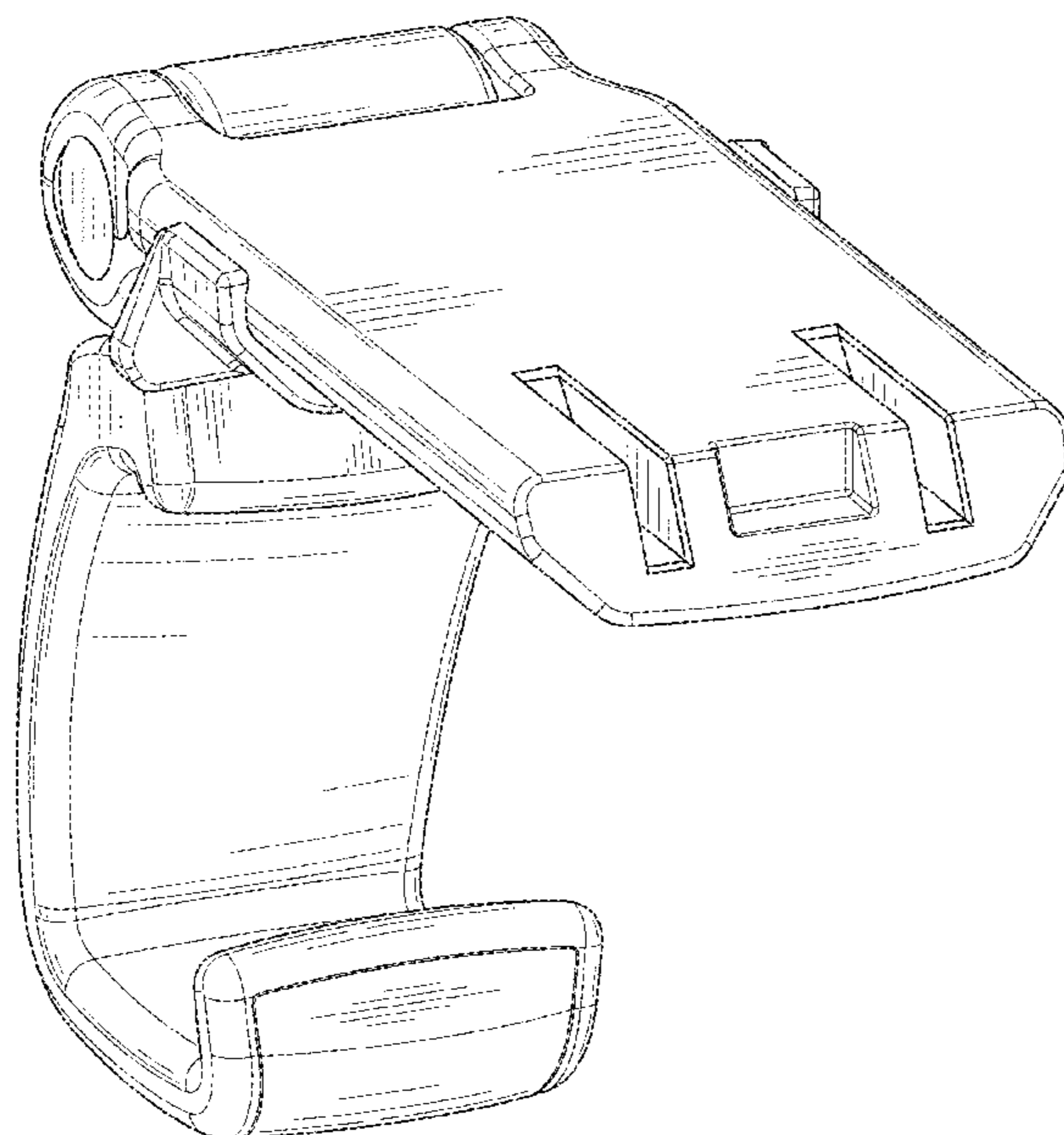
U.S. PATENT DOCUMENTS

D422,961 S * 4/2000 Huckaby D12/223

D614,613 S 4/2010 Kim et al.

(Continued)

1 Claim, 14 Drawing Sheets



Related U.S. Application Data

having an international filing date of Aug. 12, 2016,
now Pat. No. Des. 854,537.

(58) **Field of Classification Search**

USPC D12/407, 416–426; D16/242, 244, 245;
D3/218; D13/108

CPC B60R 11/00; B60R 11/02; B60R 11/0241;
B60R 11/0252; B60R 2011/0003; B60R
2011/0005; B60R 2011/0008; B60R 7/04;
H04M 1/04; F16M 11/00; F16M 11/04;
F16M 11/041; F16M 11/06

See application file for complete search history.

(56) **References Cited**

U.S. PATENT DOCUMENTS

D654,503 S 2/2012 Sapper
D655,282 S 3/2012 Richter
D655,283 S 3/2012 Richter
D659,571 S 5/2012 Hoggarth
D678,888 S 3/2013 Hung
8,561,863 B2 10/2013 Lacolla et al.
D716,215 S 10/2014 Dunn
D718,297 S 11/2014 Aspinall et al.
D718,298 S 11/2014 Aspinall et al.
D720,000 S 12/2014 Lyons
D726,175 S 4/2015 Tsai et al.
D732,013 S 6/2015 Aspinall et al.
D732,519 S 6/2015 Aspinall et al.
D733,115 S 6/2015 Aspinall et al.
D738,873 S 9/2015 Kim et al.
D751,702 S 3/2016 Eaton
9,278,648 B2 3/2016 Ackeret et al.
D755,797 S 5/2016 Liu
D759,002 S 6/2016 Won et al.

D762,652 S 8/2016 Dörre et al.
D765,651 S 9/2016 Liu et al.
D768,125 S 10/2016 Kim
D769,860 S 10/2016 Xiao
D775,116 S 12/2016 Abrahams
9,527,456 B2 12/2016 Ackeret et al.
D780,168 S 2/2017 Du
D780,743 S 3/2017 Chun
D783,012 S 4/2017 Lee
D783,014 S 4/2017 Chun
D784,923 S 4/2017 Song
D796,421 S 9/2017 Huang
D799,466 S 10/2017 Sukphist et al.
D799,467 S 10/2017 Lou
D807,373 S 1/2018 Thetard et al.
D815,087 S 4/2018 Gu
D817,317 S 5/2018 Lee
D828,865 S 9/2018 Zeng
D832,248 S 10/2018 Sukphist
D833,369 S 11/2018 Lan
D838,267 S 1/2019 Zhang
D881,870 S * 4/2020 Riley D3/218
10,773,172 B2 * 9/2020 Stark A63F 13/92
D936,063 S * 11/2021 Moore D14/447
D942,926 S * 2/2022 Deng D12/416
2010/0320341 A1 12/2010 Baumann et al.
2011/0278885 A1 11/2011 Procter et al.
2013/0037590 A1 2/2013 Yoon
2013/0193174 A1 * 8/2013 Ackeret B60R 7/04
224/275
2014/0145051 A1 5/2014 Gwag
2015/0252936 A1 * 9/2015 Krantz H04N 1/19594
248/176.1
2015/0265107 A1 * 9/2015 Buckalter A47K 5/1217
222/63
2018/0361940 A1 * 12/2018 Ackeret B60R 7/08
2019/0328224 A1 * 10/2019 Nevin A61B 1/015

* cited by examiner

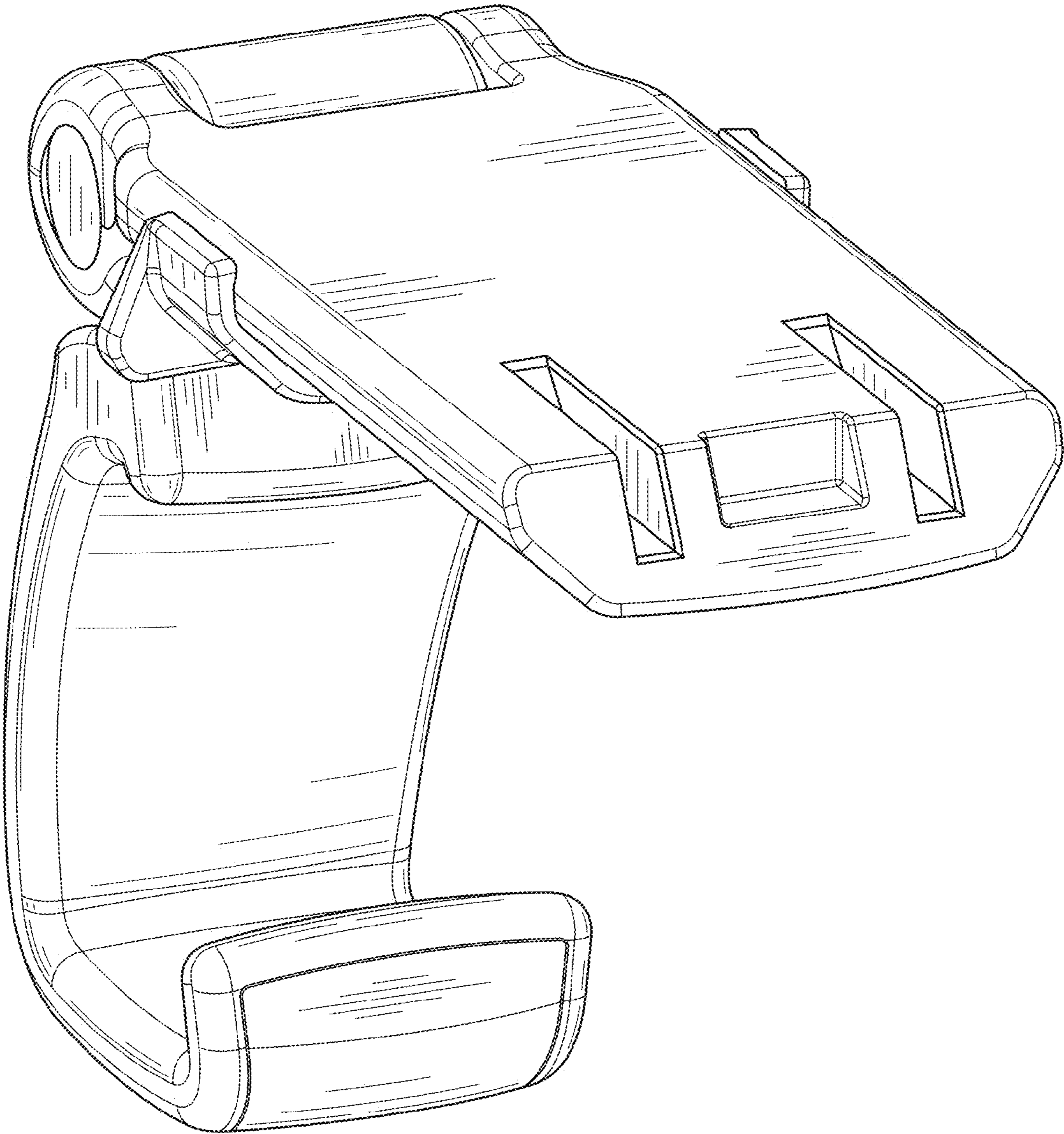


FIG. 1

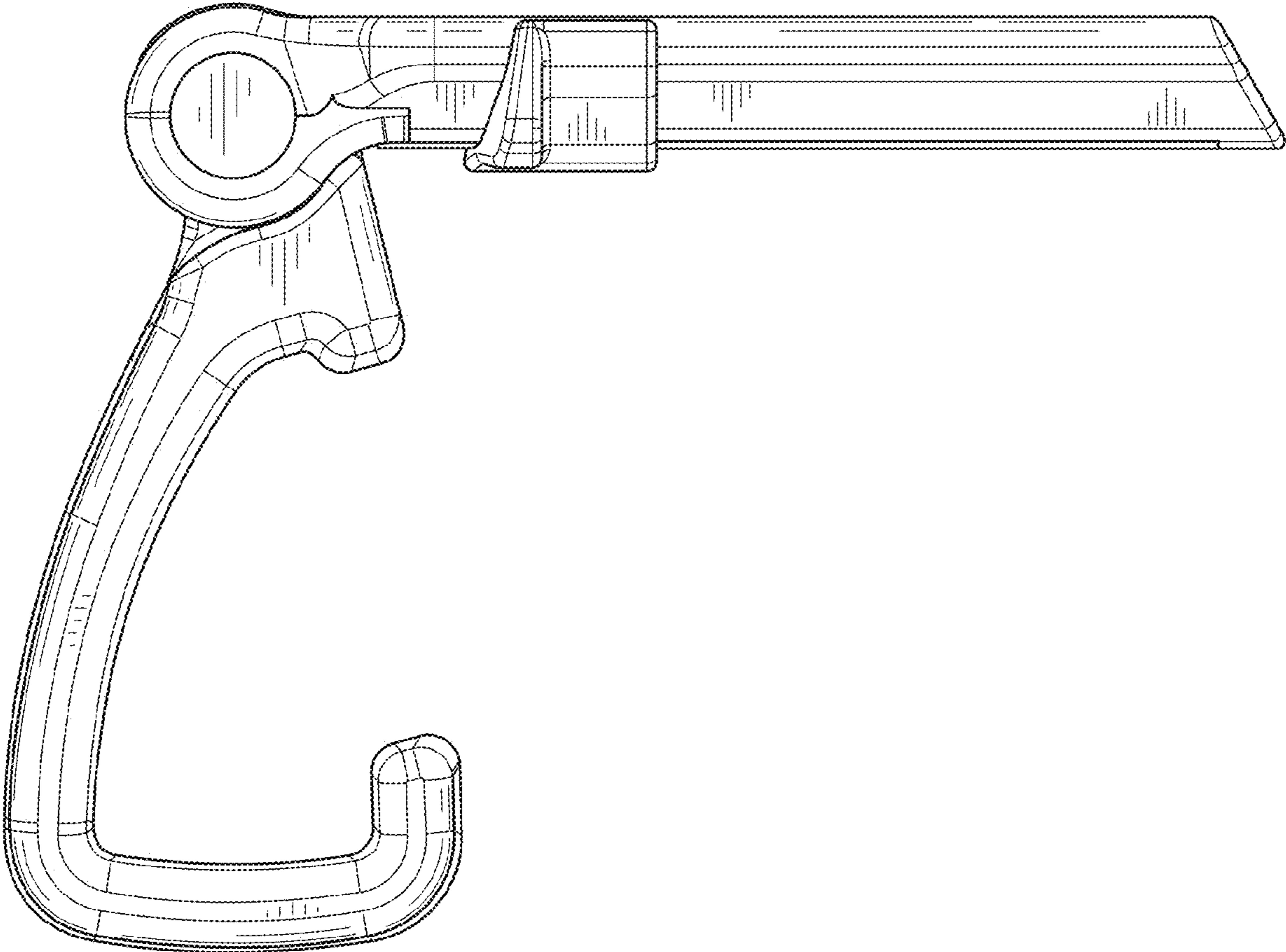


FIG. 2

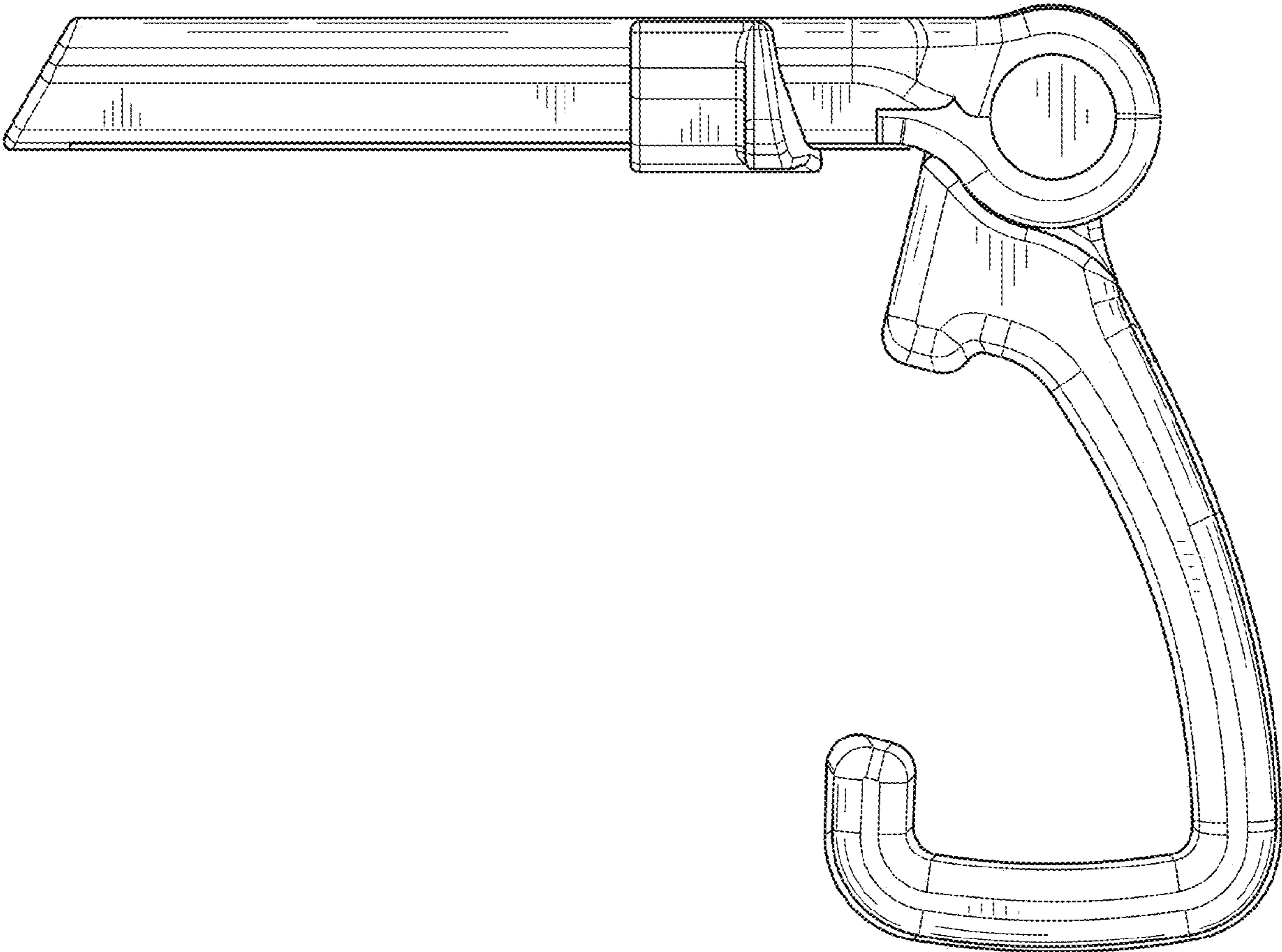


FIG. 3

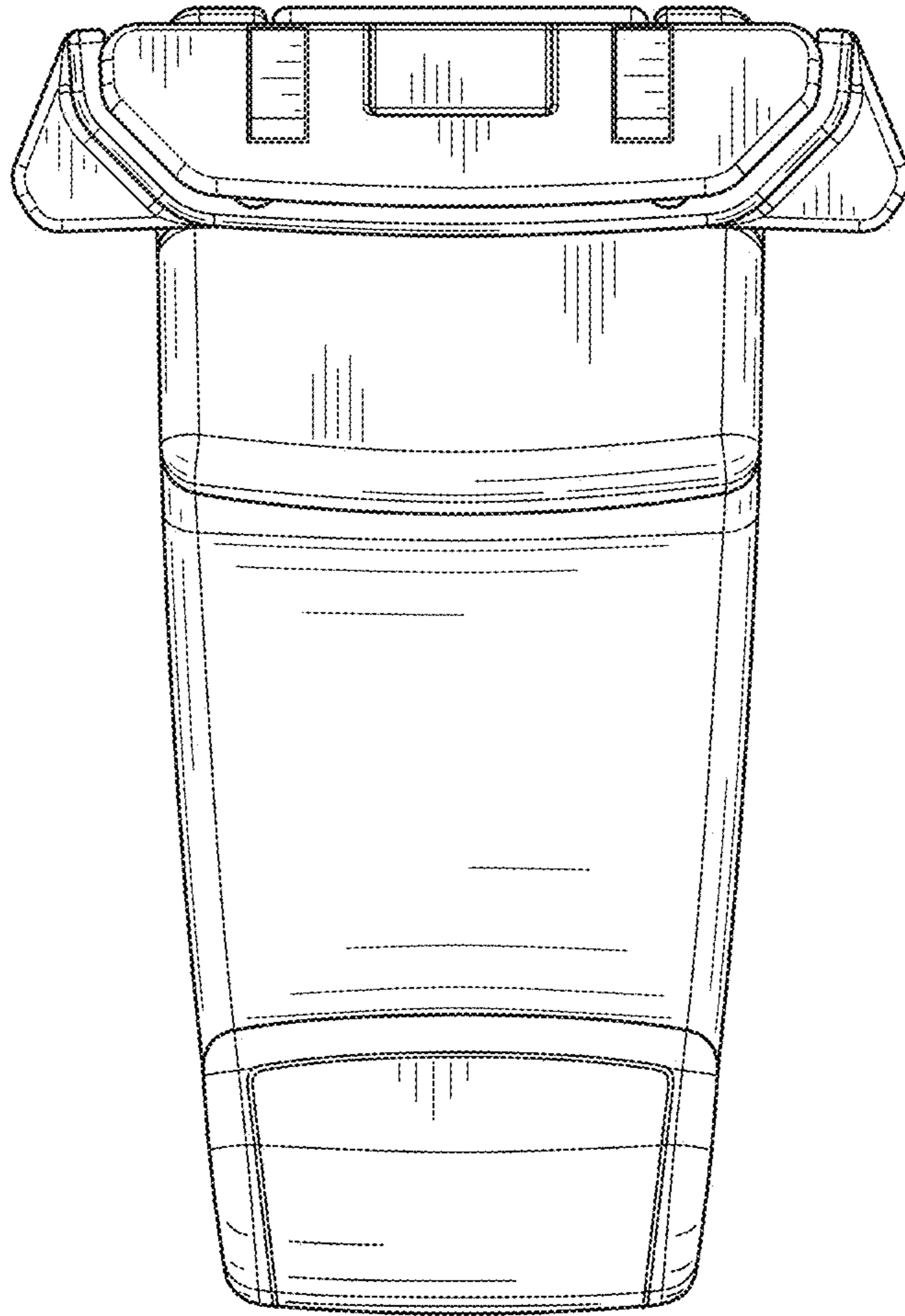


FIG. 4

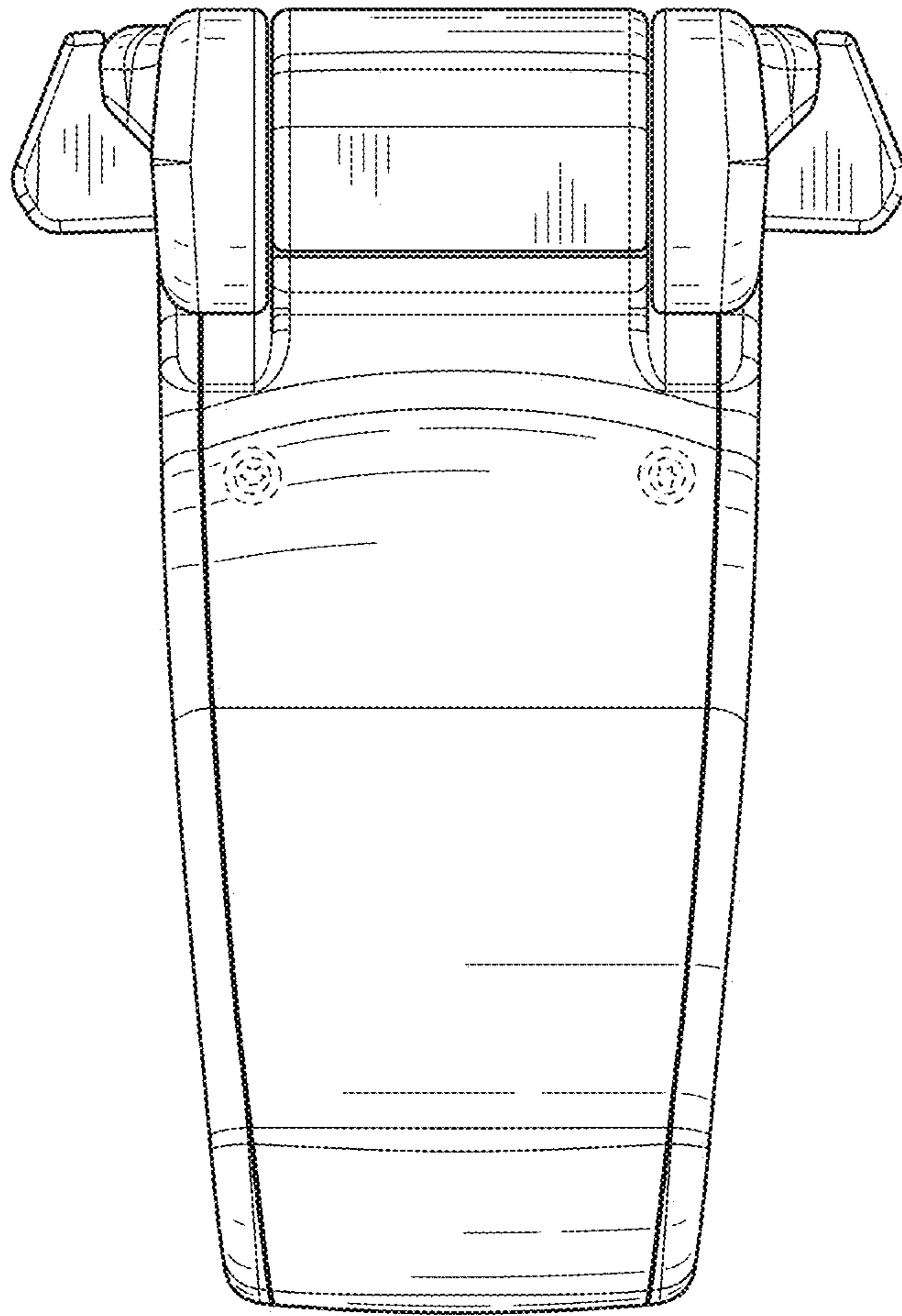


FIG. 5

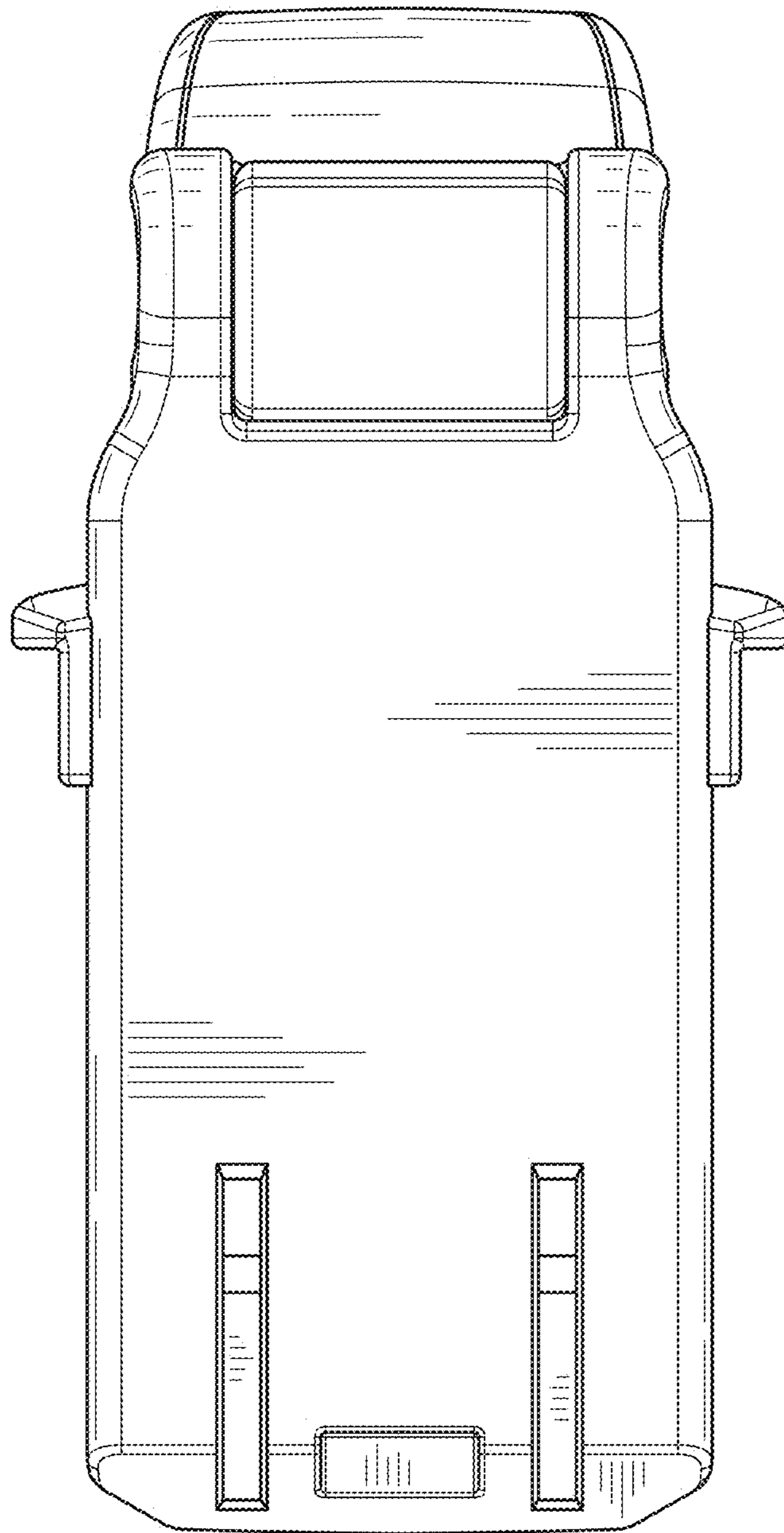


FIG. 6

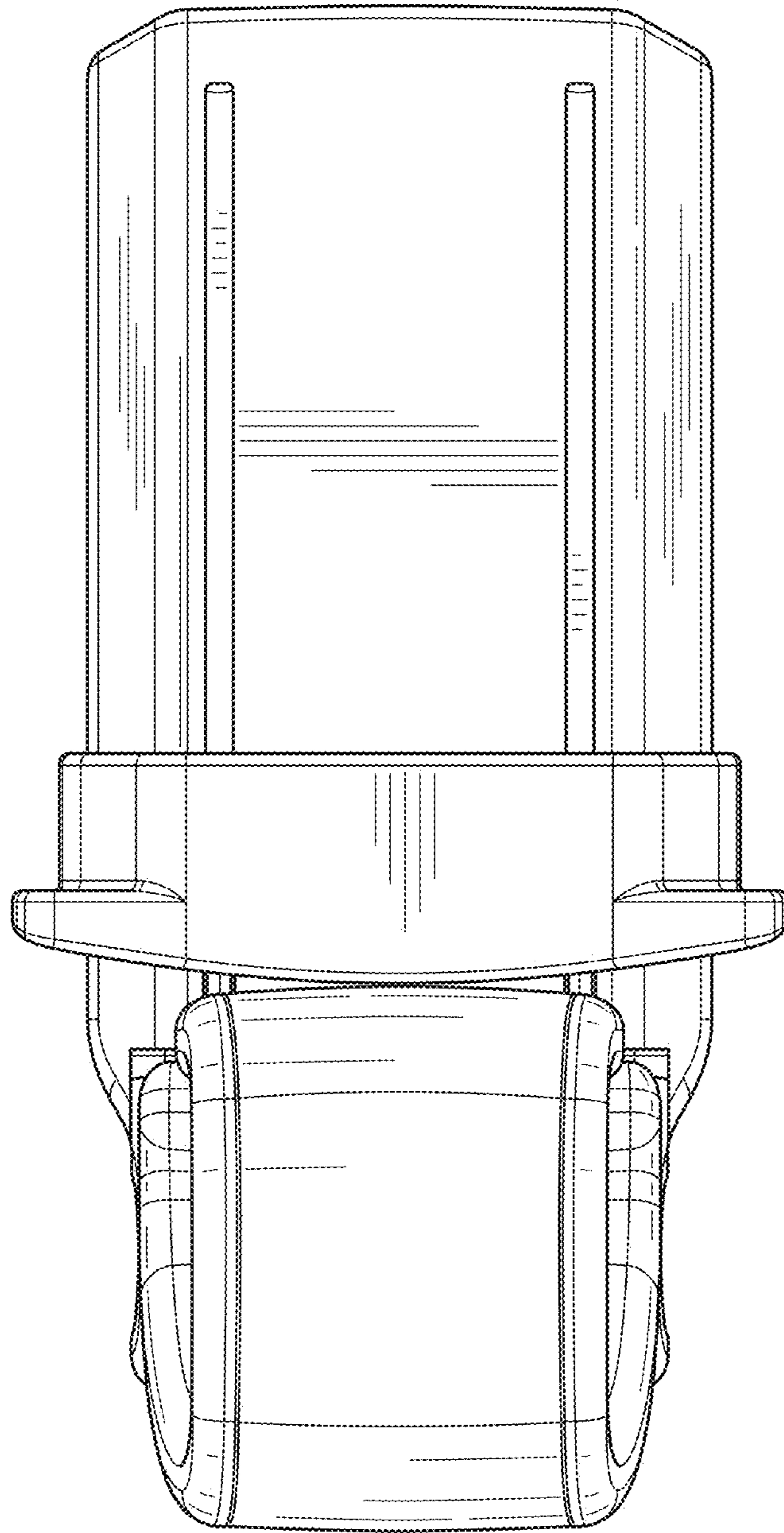


FIG. 7

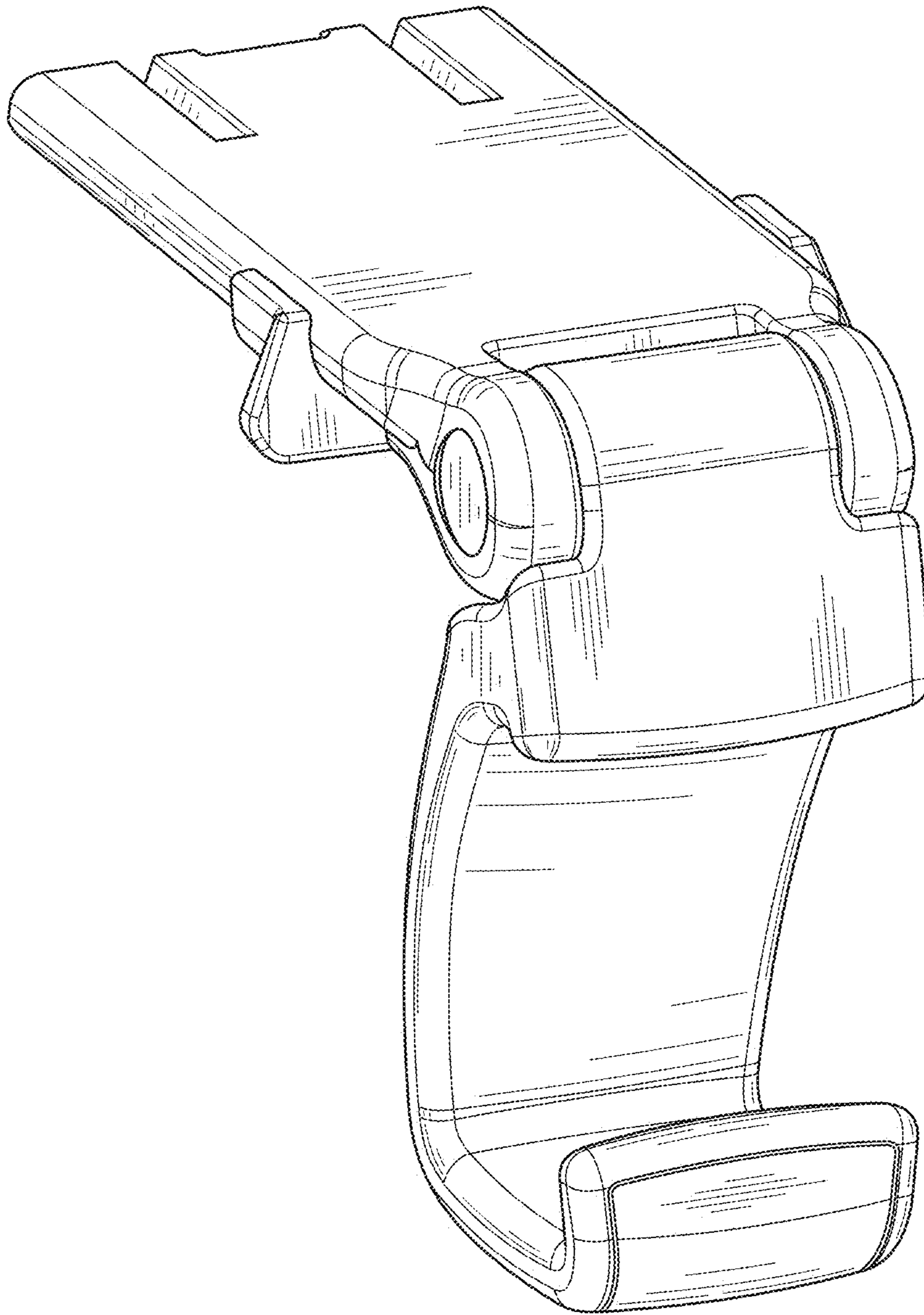


FIG. 8

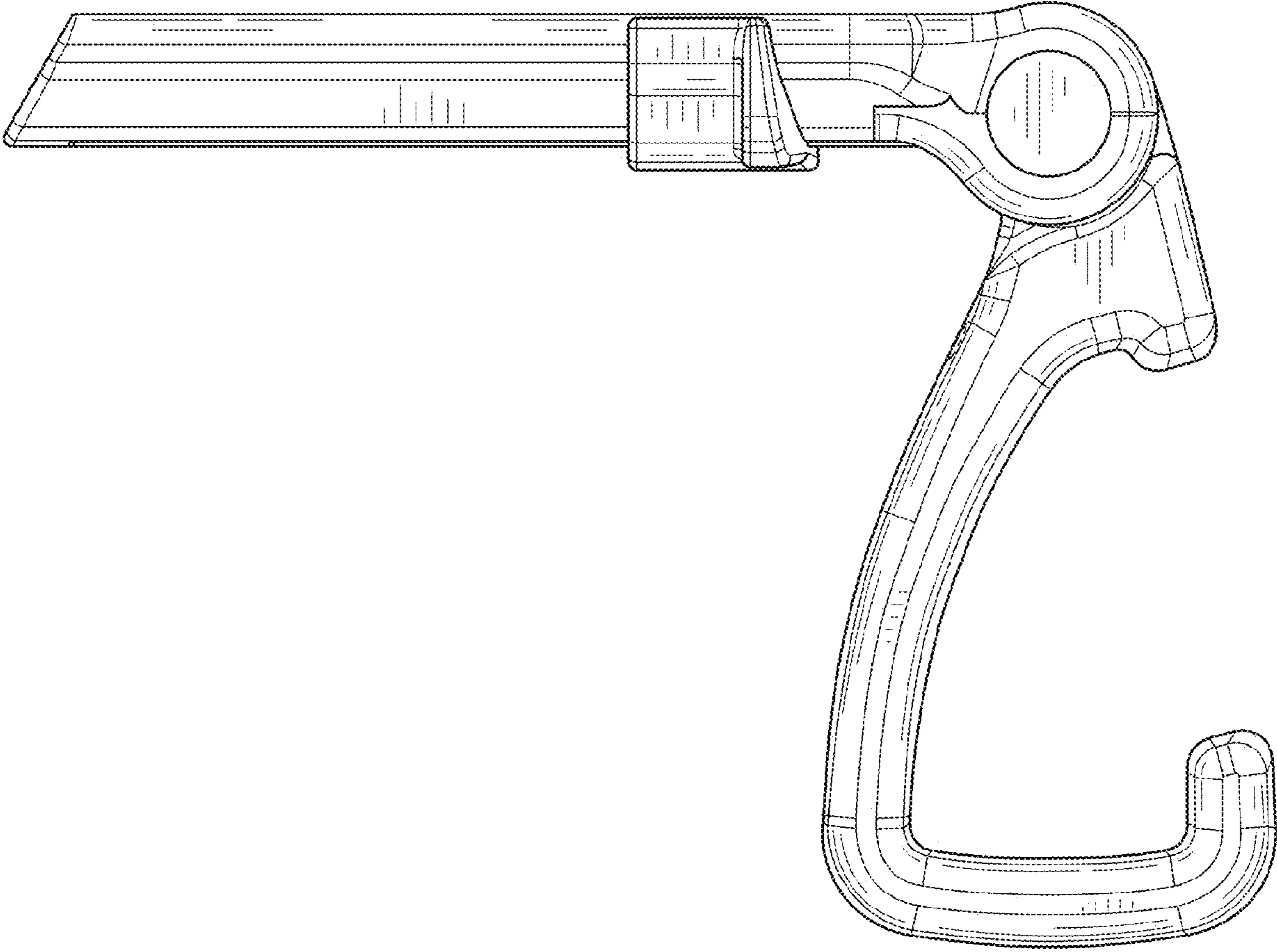


FIG. 9

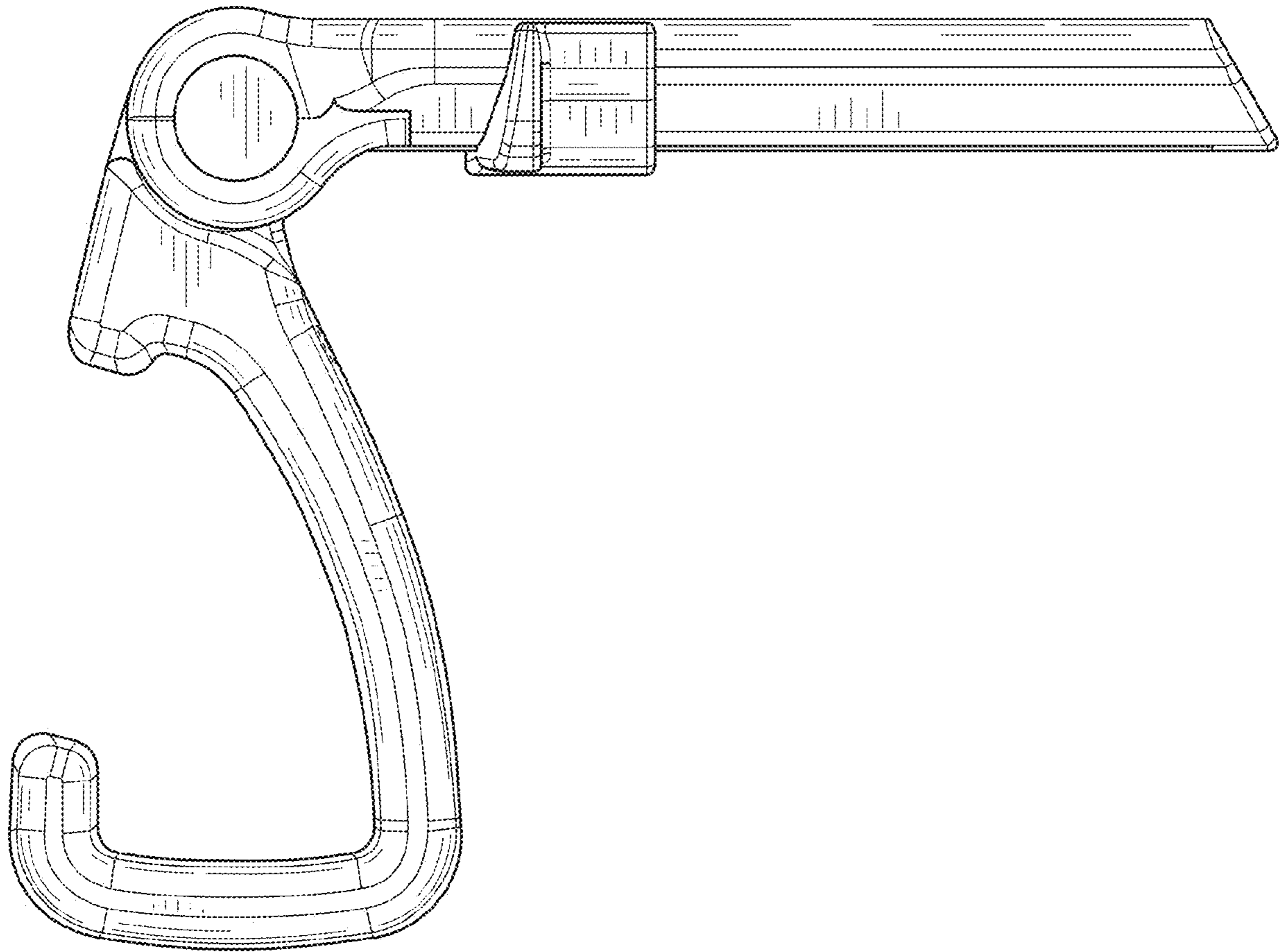


FIG. 10

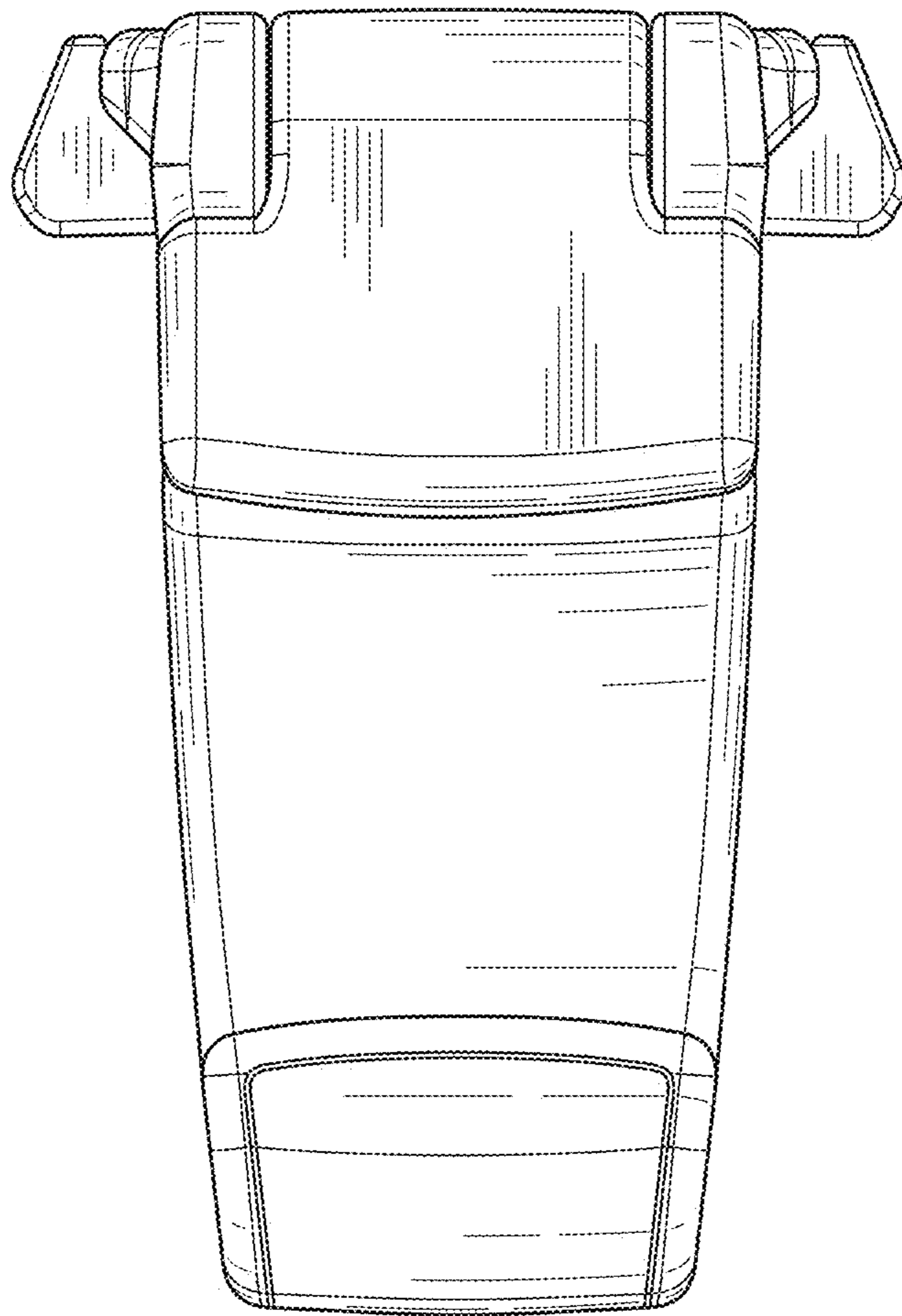


FIG. 11

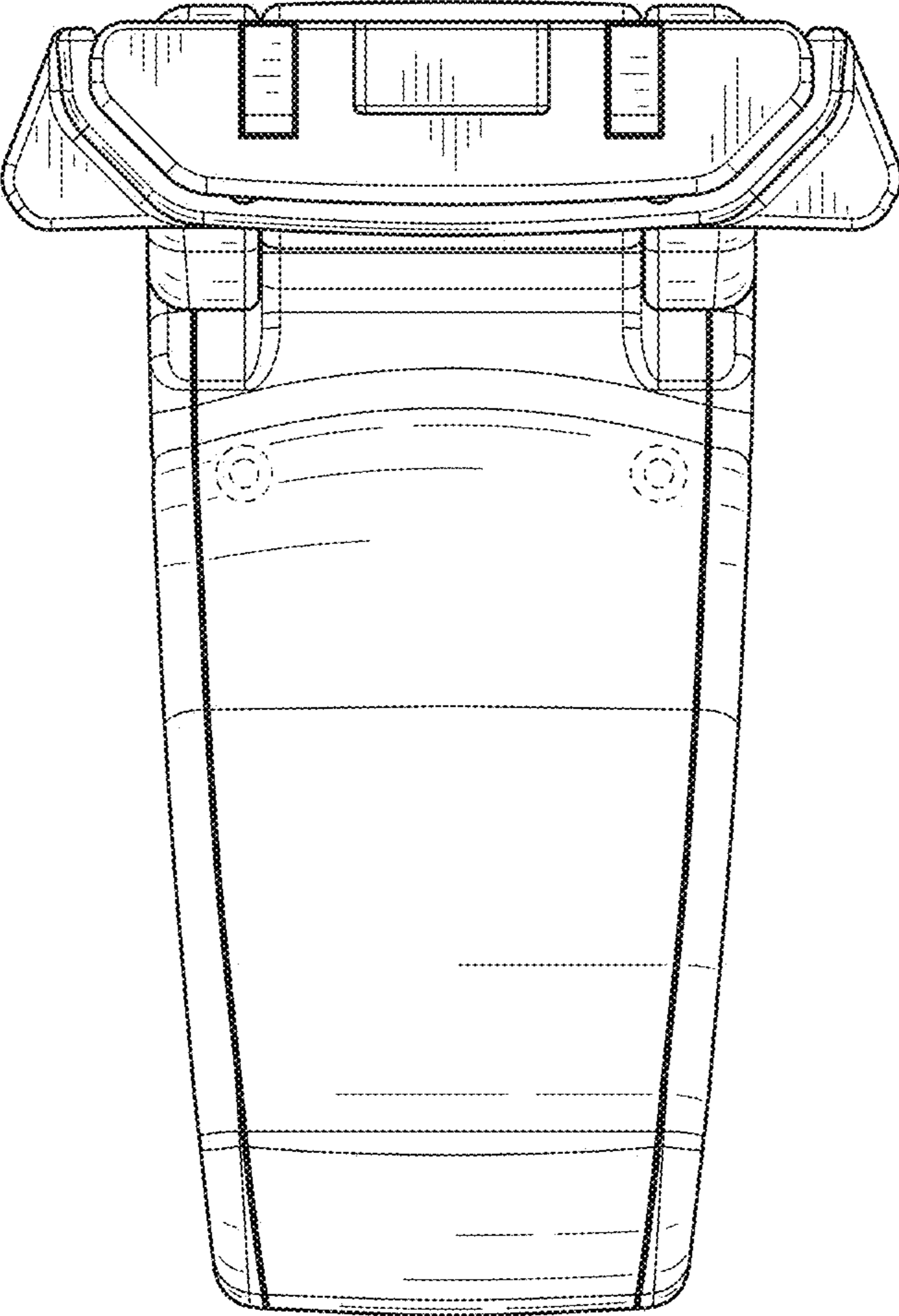


FIG. 12

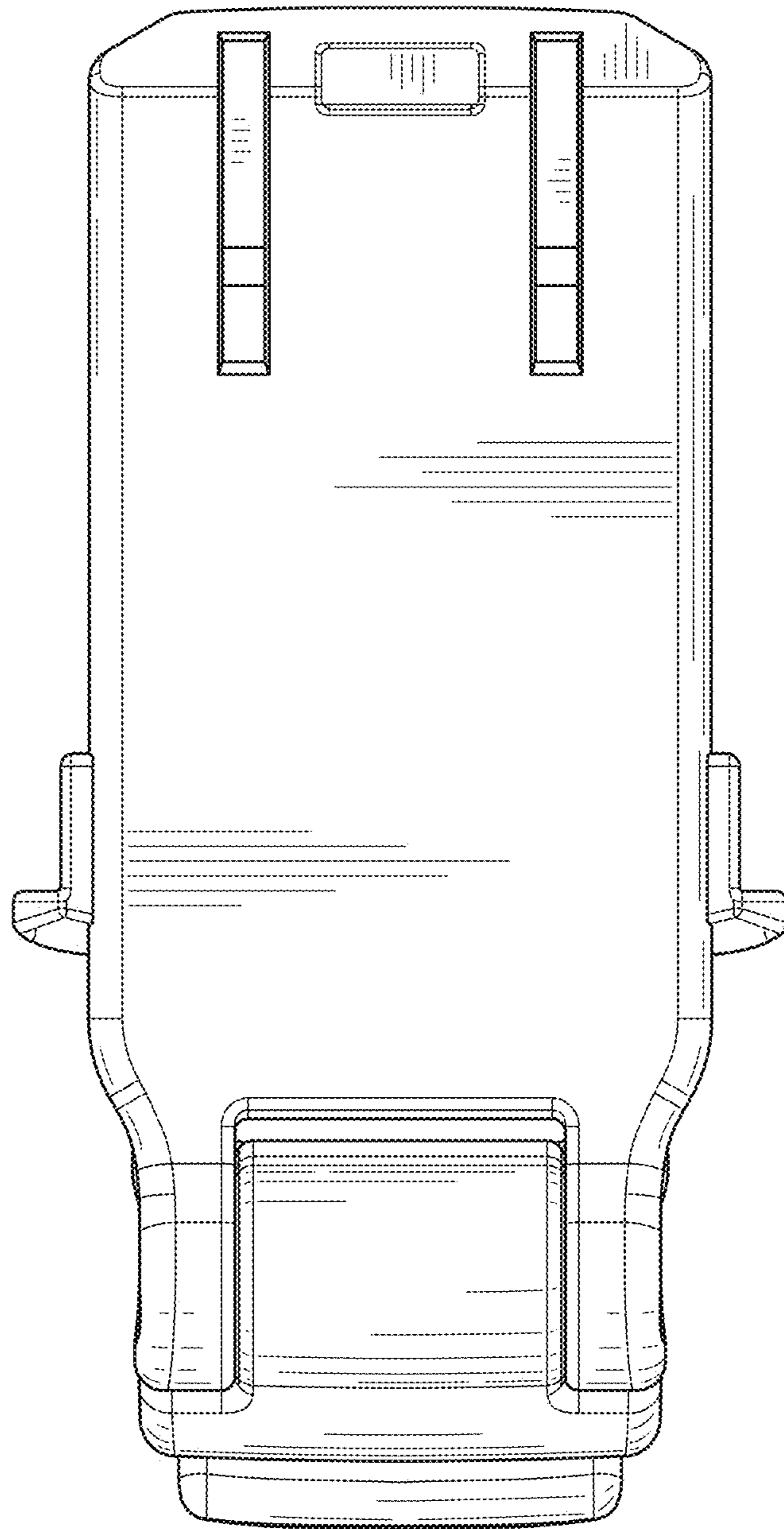


FIG. 13

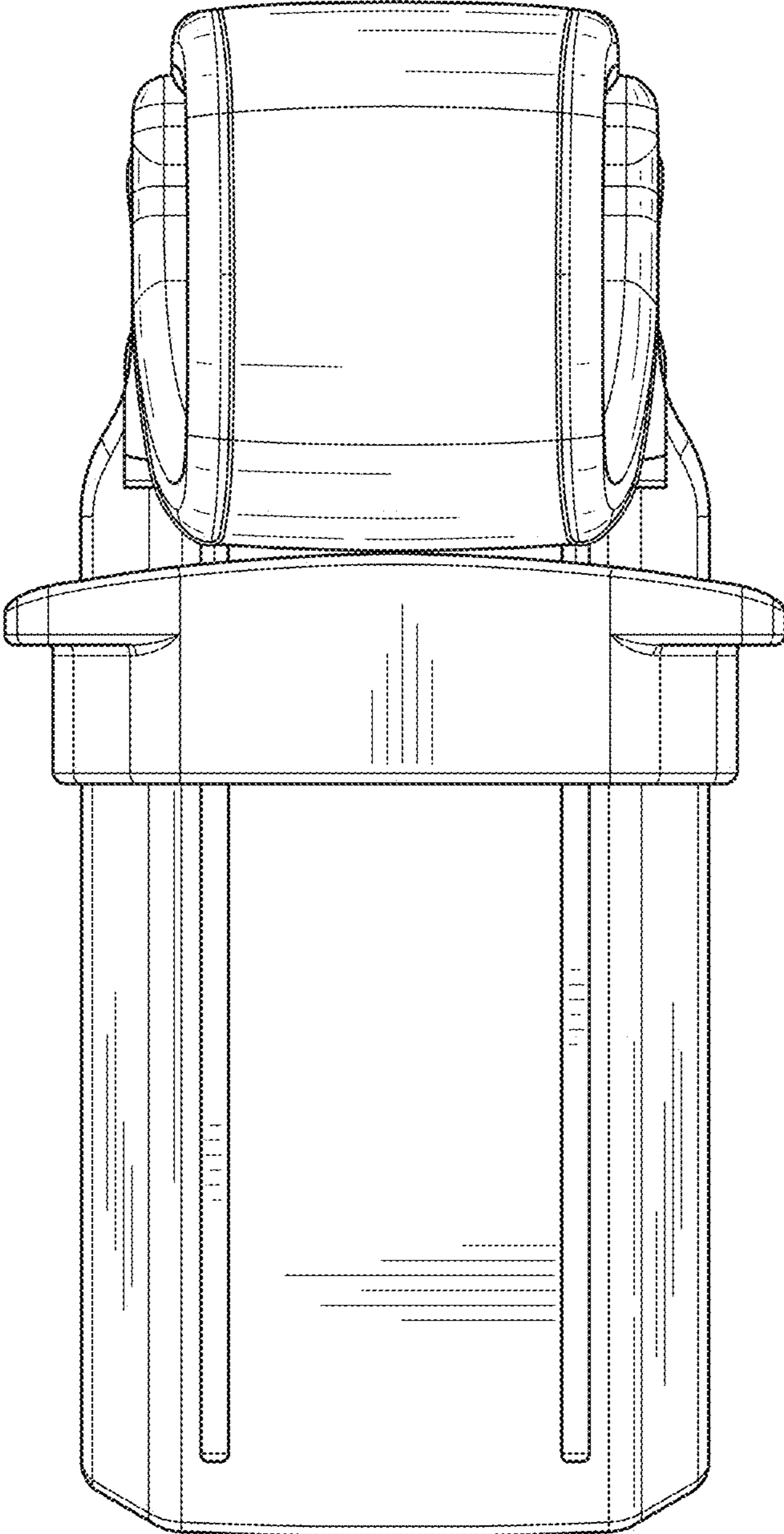


FIG. 14