



US00D951848S

(12) **United States Design Patent**
Gozzi et al.

(10) **Patent No.:** **US D951,848 S**

(45) **Date of Patent:** **** May 17, 2022**

(54) **CABIN FOR A VEHICLE**

(71) Applicant: **LCI Italy s.r.l.**, Florence (IT)

(72) Inventors: **Luigi Gozzi**, Colle di val d'Elsa (IT);
Paolo Bernardeschi, Ponsacco (IT);
Riccardo Minuti, San Miniato (IT)

(73) Assignee: **LCI ITALY S.R.L.**, Florence (IT)

(**) Term: **15 Years**

(21) Appl. No.: **29/753,236**

(22) Filed: **Sep. 30, 2020**

(30) **Foreign Application Priority Data**

Apr. 9, 2020 (EM) 007803143-0001

(51) **LOC (13) Cl.** **12-16**

(52) **U.S. Cl.**
USPC **D12/401**

(58) **Field of Classification Search**
USPC D12/401-405, 181; D6/610, 611, 596,
D6/601-603, 615, 617, 621; D7/332,
D7/334-337

CPC ... B60J 7/11; B60J 1/2091; B60J 11/04; B60J
7/024; B60J 7/0435; B60J 7/19; E04H
15/08

See application file for complete search history.

(56) **References Cited**

U.S. PATENT DOCUMENTS

D639,229 S * 6/2011 van Voorst tot Voorst
D12/401

D727,243 S * 4/2015 Matsumura D12/401

D727,244 S * 4/2015 Hashimoto D12/401
D733,033 S * 6/2015 Rohr D12/401
D776,601 S * 1/2017 McDonald, II D12/401
D832,185 S * 10/2018 McIntire D12/401
D841,562 S * 2/2019 Beckles D12/401
D847,078 S * 4/2019 Rolfs D12/401
D863,197 S * 10/2019 Gordon D12/401
D928,693 S * 8/2021 Lettl D12/401
D930,551 S * 9/2021 Suckling D12/401
D930,552 S * 9/2021 Dowdey D12/401
2010/0083891 A1 * 4/2010 Russikoff B63B 17/02
114/361

* cited by examiner

Primary Examiner — Katrina A Betton

(74) *Attorney, Agent, or Firm* — Nixon & Vanderhye P.C.

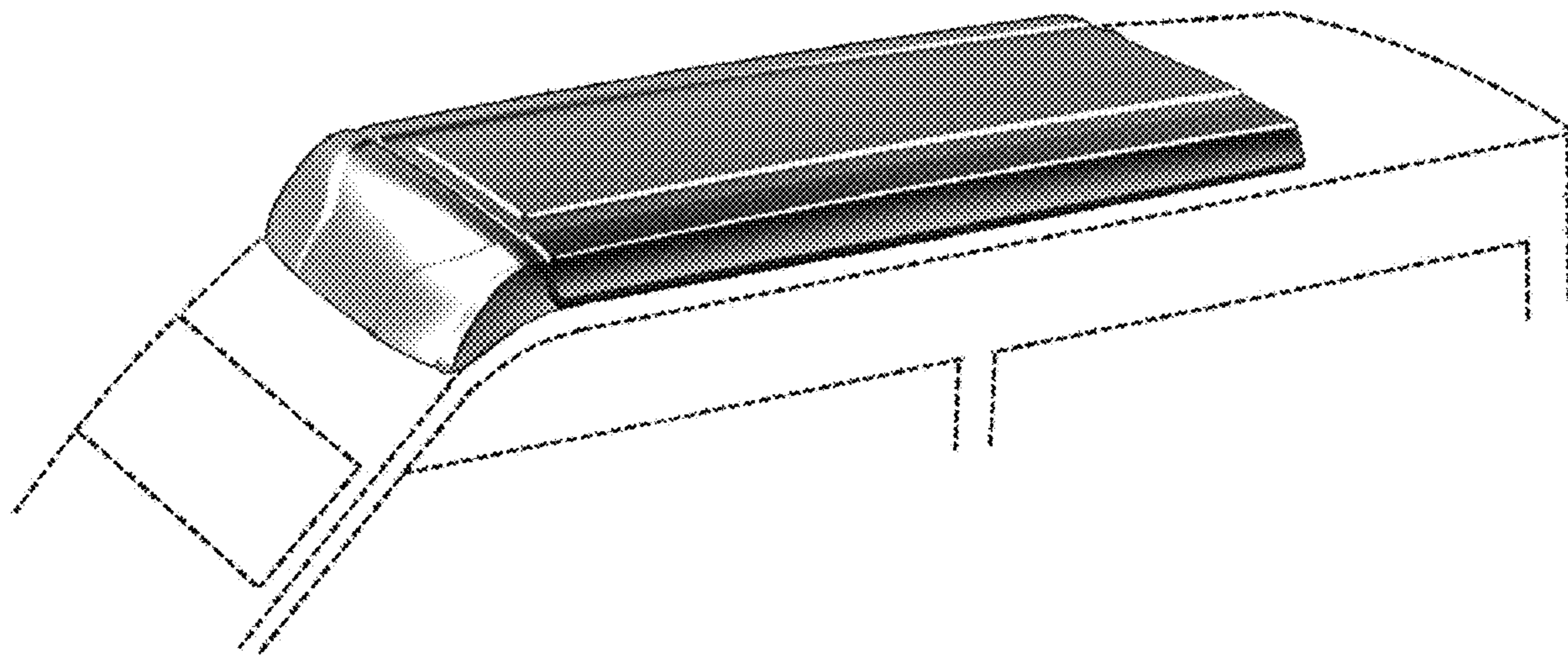
(57) **CLAIM**

The ornamental design for a cabin for a vehicle, as shown and described.

DESCRIPTION

FIG. 1 is a perspective view of a cabin for a vehicle,
FIG. 2 is an alternative perspective view thereof;
FIG. 3 is a front view thereof;
FIG. 4 is a side view thereof, the opposite side being a mirror
image;
FIG. 5 is a plan view thereof; and,
FIG. 6 is a perspective view with the cabin in an extended
configuration.
In the drawings, the broken lines depict portions of the
article that form no part of the claimed design.

1 Claim, 6 Drawing Sheets



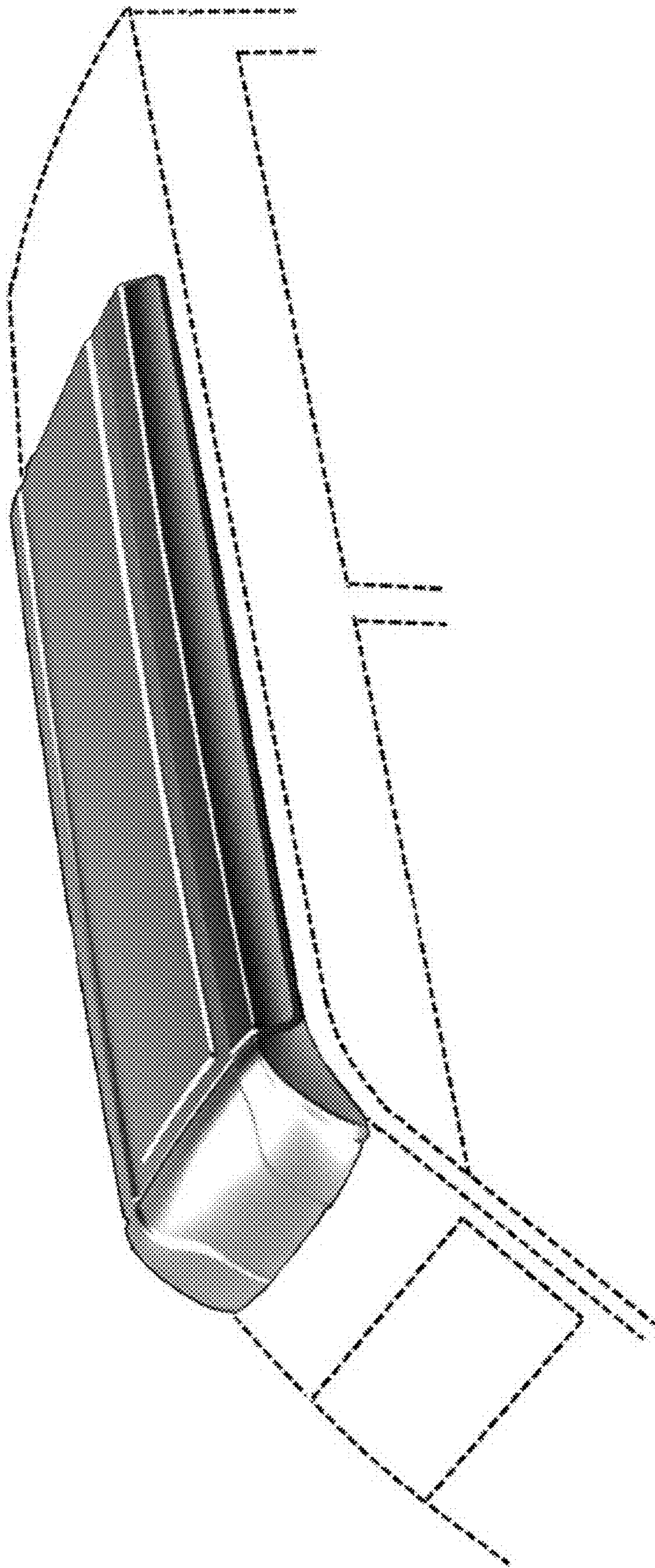


FIG. 1

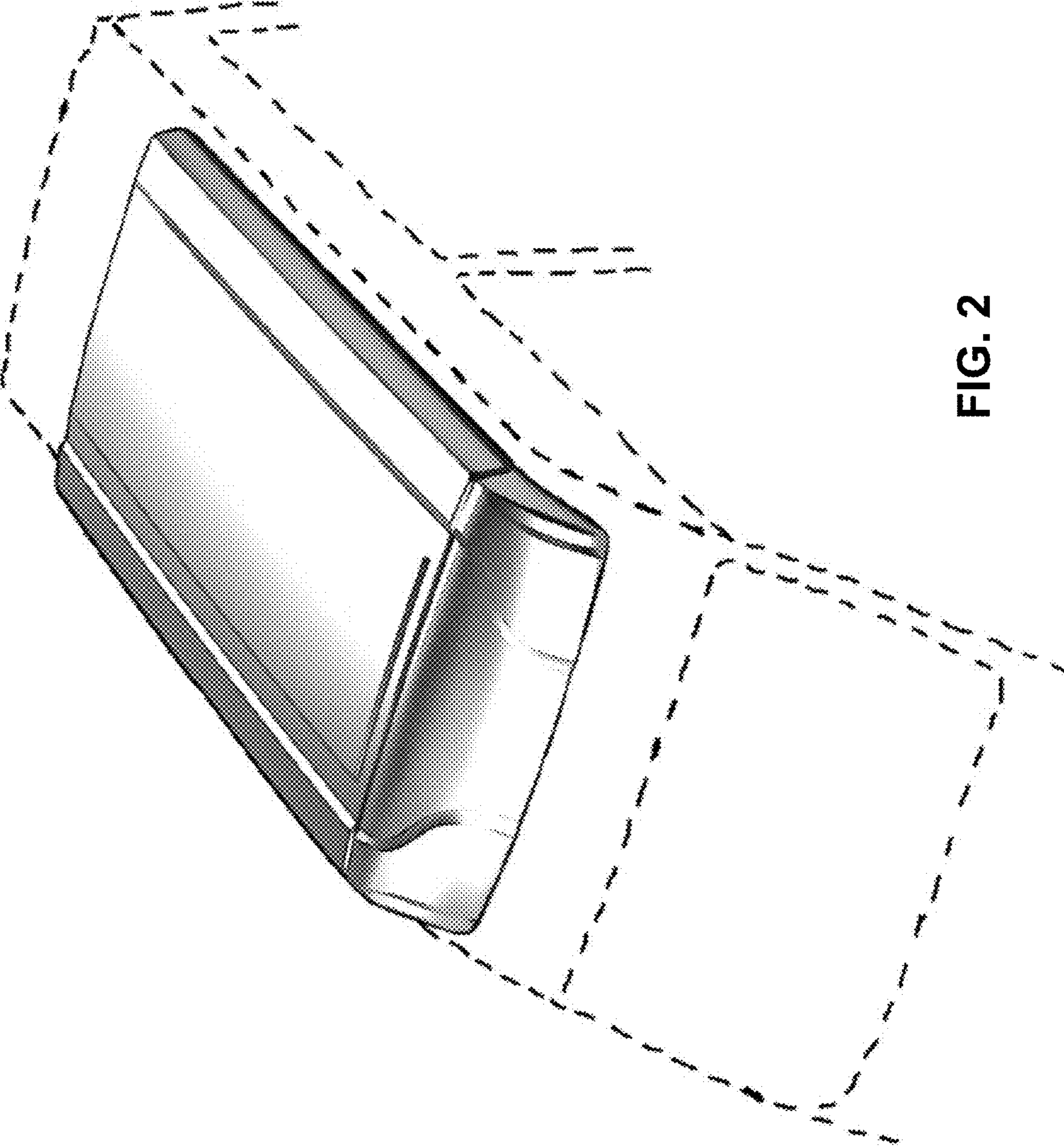


FIG. 2

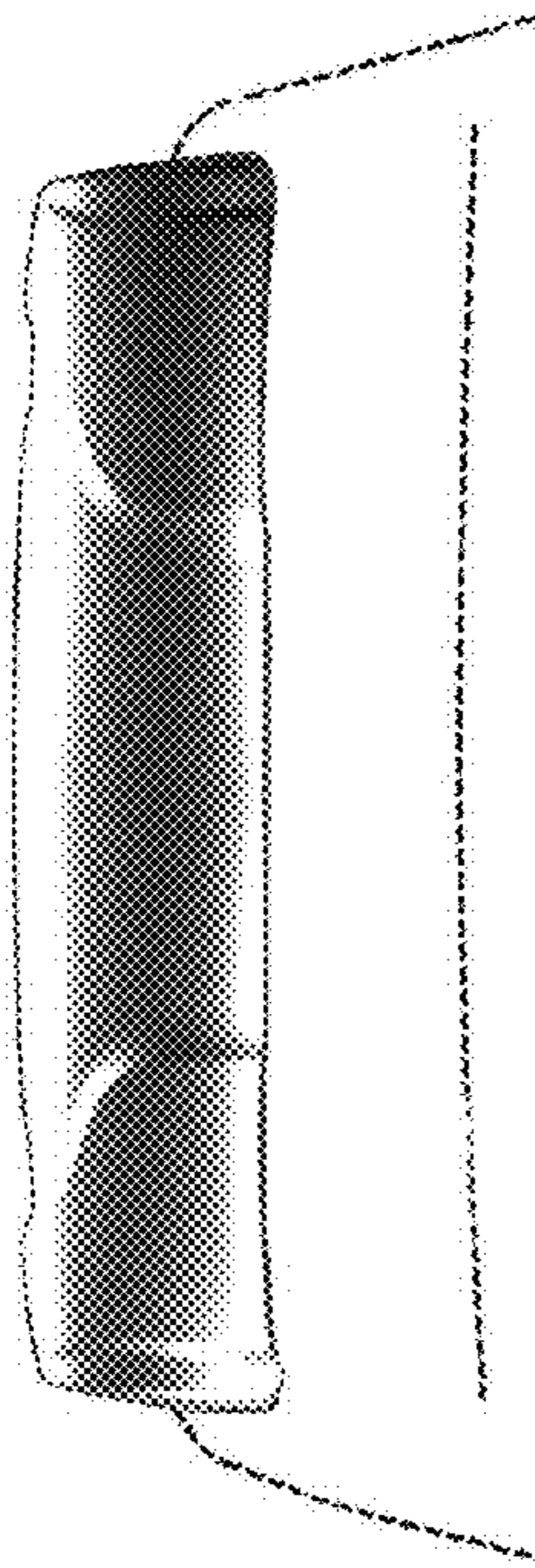


FIG. 3

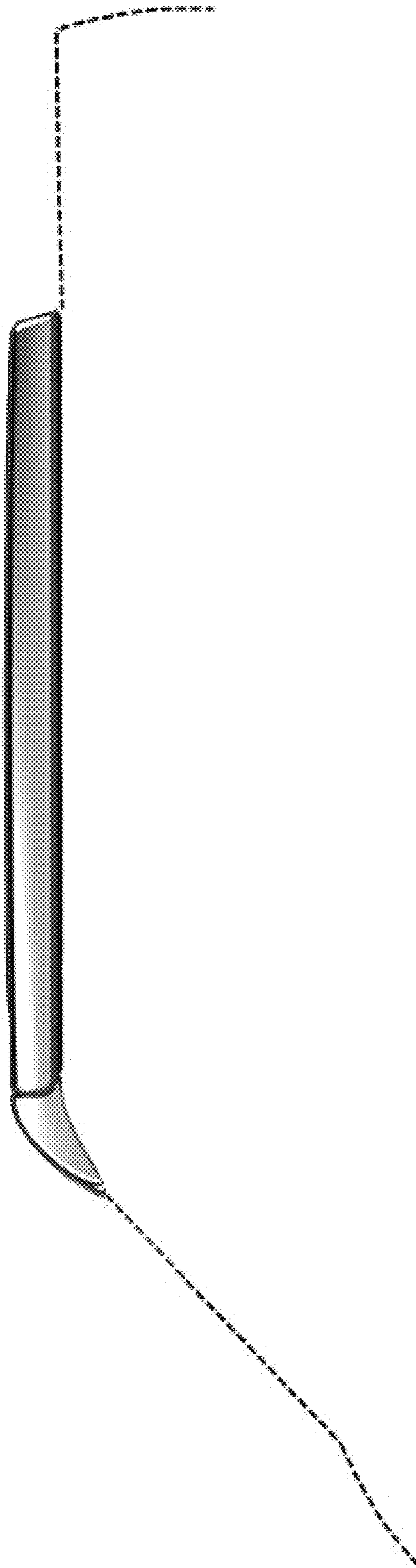


FIG. 4

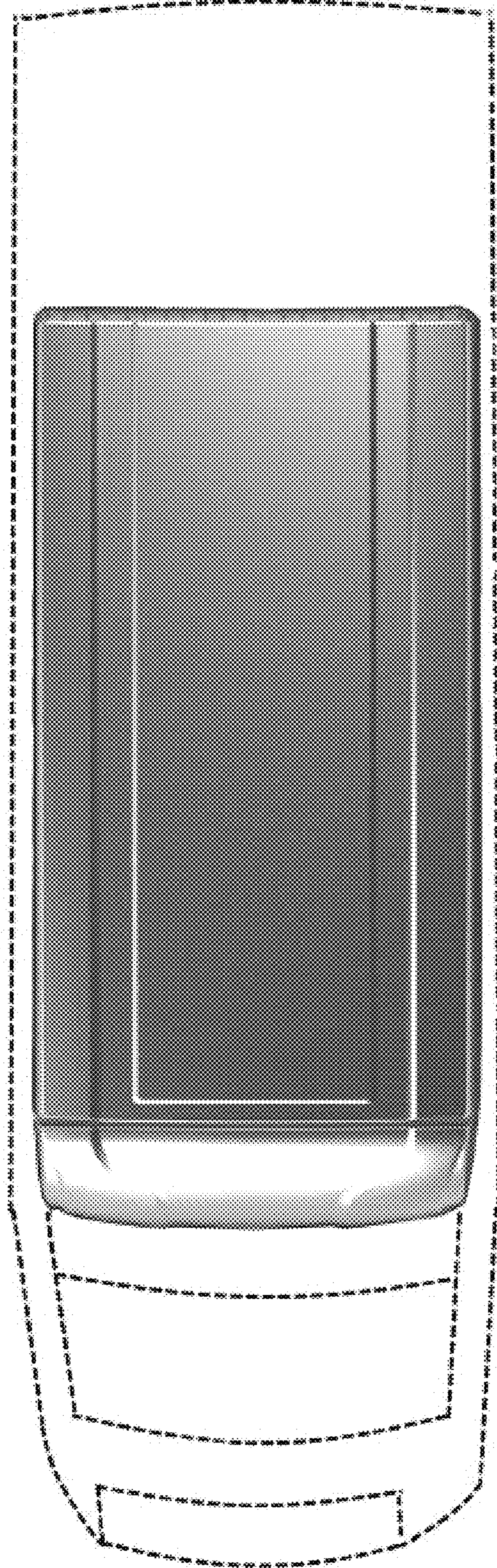


FIG. 5

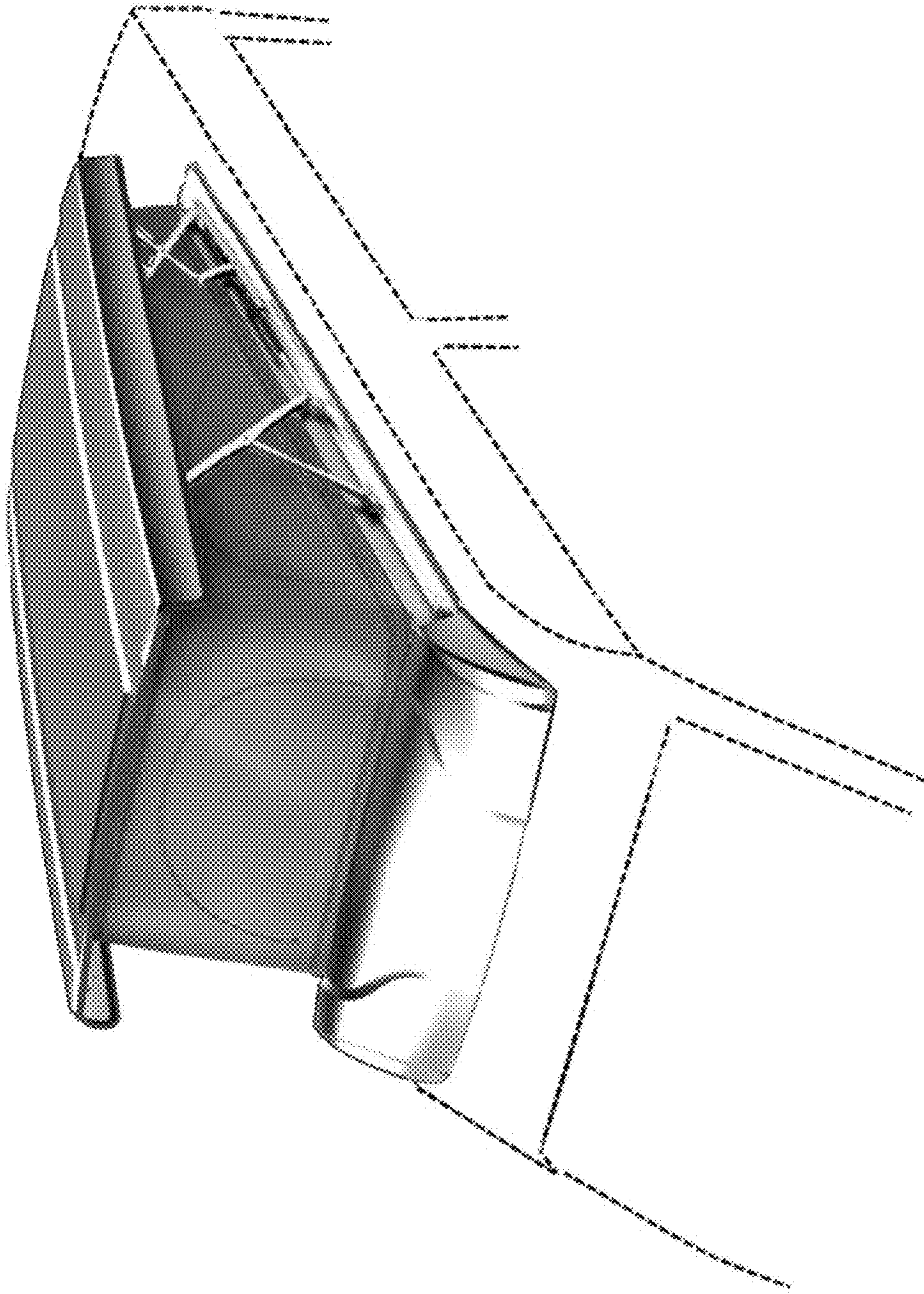


FIG. 6