



US00D951843S

(12) **United States Design Patent**
Mincolelli

(10) **Patent No.:** **US D951,843 S**

(45) **Date of Patent:** **** May 17, 2022**

(54) **VEHICLE ACCESSORY**

(71) Applicant: **LCI Italy s.r.l.**, Florence (IT)

(72) Inventor: **Giuseppe Mincolelli**, Florence (IT)

(73) Assignee: **LCI ITALY S.R.L.**, Florence (IT)

(**) Term: **15 Years**

(21) Appl. No.: **29/757,225**

(22) Filed: **Nov. 4, 2020**

(30) **Foreign Application Priority Data**

May 5, 2020 (EM) 007872825-0002

(51) **LOC (13) Cl.** **12-16**

(52) **U.S. Cl.**
USPC **D12/203**

(58) **Field of Classification Search**
USPC D12/203, 89, 98, 314, 162, 190, 196
CPC .. B60R 3/002; B60R 3/02; B60R 3/00; B60R
3/005; B60R 3/007
See application file for complete search history.

(56) **References Cited**

U.S. PATENT DOCUMENTS

D448,335 S *	9/2001	Ehnes	D12/203
D520,429 S *	5/2006	Woodard	D12/203
D573,929 S *	7/2008	Black	D12/203
D652,776 S *	1/2012	Agoncillo	D12/203
D713,772 S *	9/2014	Ziaylek	D12/203
D806,625 S *	1/2018	Hoffman	D12/203
D871,992 S *	1/2020	Joshi	D12/203
2021/0347304 A1 *	11/2021	Qing	B60R 3/02
2021/0371033 A1 *	12/2021	Huang	B62J 25/00
2021/0380175 A1 *	12/2021	Jarjoura	B60R 3/02

OTHER PUBLICATIONS

“SMFP-1220 Manual RV Single Step, Black” Stromberg Carlson., posted date Feb. 16, 2015 [online], [retrieved on Feb. 10, 2022]. Retrieved from the Internet <URL:https://www.amazon.com/Stromberg-Carlson-SMFP-1220-Manual-Single/dp/B00T36GXQW> (Year: 2015).*

“353542 24" Single Treadlite Power RV Step” Lippert Components., posted date Jan. 10, 2014 [online], [retrieved on Feb. 10, 2022]. Retrieved from the Internet <URL:https://www.amazon.com/Lippert-Components-353542-Treadlite-Harness/dp/B00S2IBKEW?ref=ast_sto_dp&th=1> (Year: 2014).*

“24" Radius Single Manual Step for 5th Wheel RVs” Lippert Components., posted date Oct. 11, 2016 [online], [retrieved on Feb. 10, 2022]. Retrieved from the Internet <URL:https://www.amazon.com/Lippert-432678-Radius-Single-Manual/dp/B01MAV07T8> (Year: 2016).*

* cited by examiner

Primary Examiner — Darlington Ly

Assistant Examiner — Nasim Abdulaziz Ali

(74) *Attorney, Agent, or Firm* — Nixon & Vanderhye P.C.

(57) **CLAIM**

The ornamental design for a vehicle accessory, as shown and described.

DESCRIPTION

FIG. 1 is a top and left side perspective view of a vehicle accessory in an extended position embodying my new design;

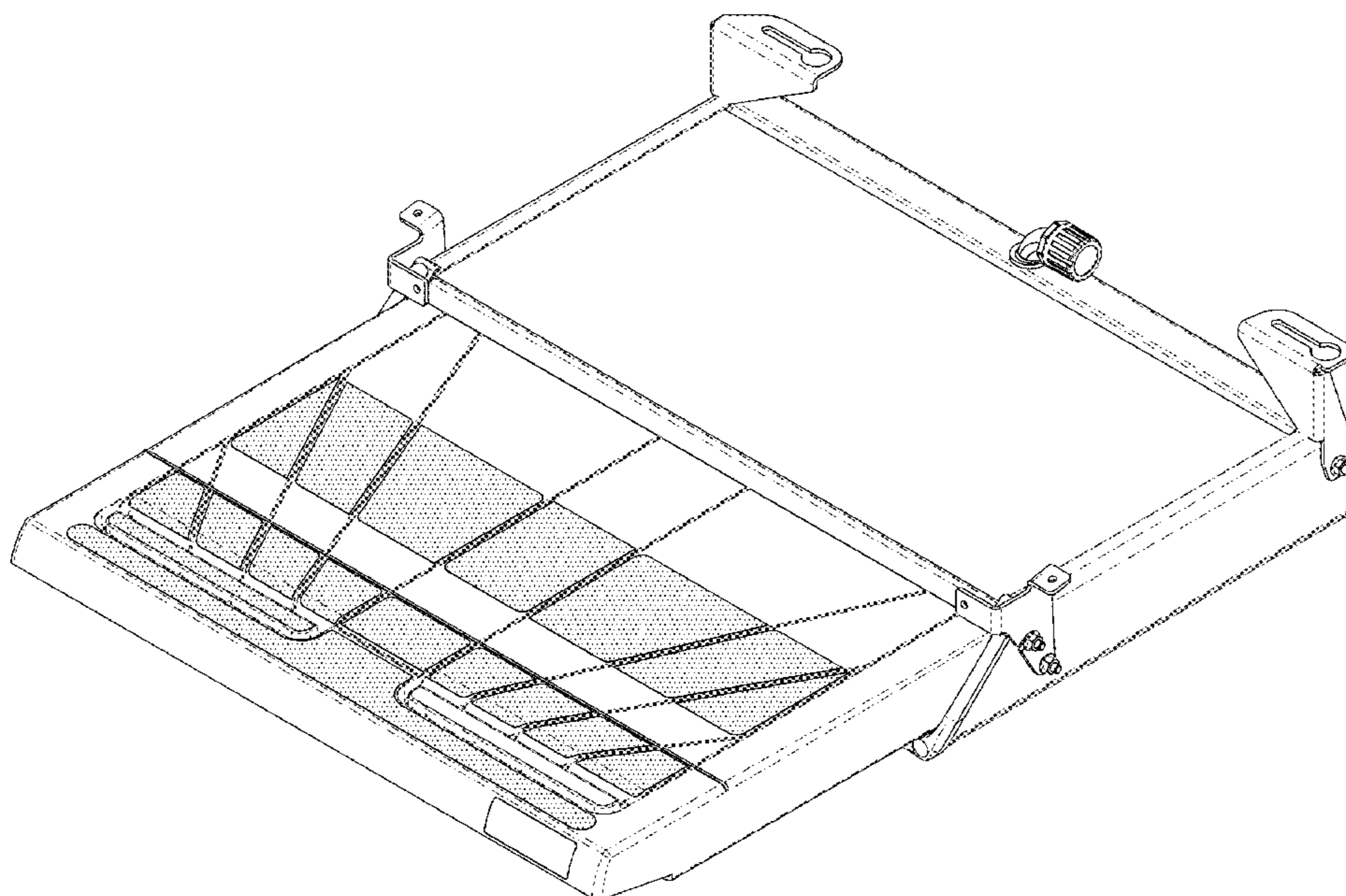
FIG. 2 is top and right side perspective view thereof;

FIG. 3 is a top and left side perspective view thereof in a retracted position;

FIG. 4 is a top plan view thereof in the extended position; and,

FIG. 5 is a top plan view thereof in the retracted position.

1 Claim, 5 Drawing Sheets



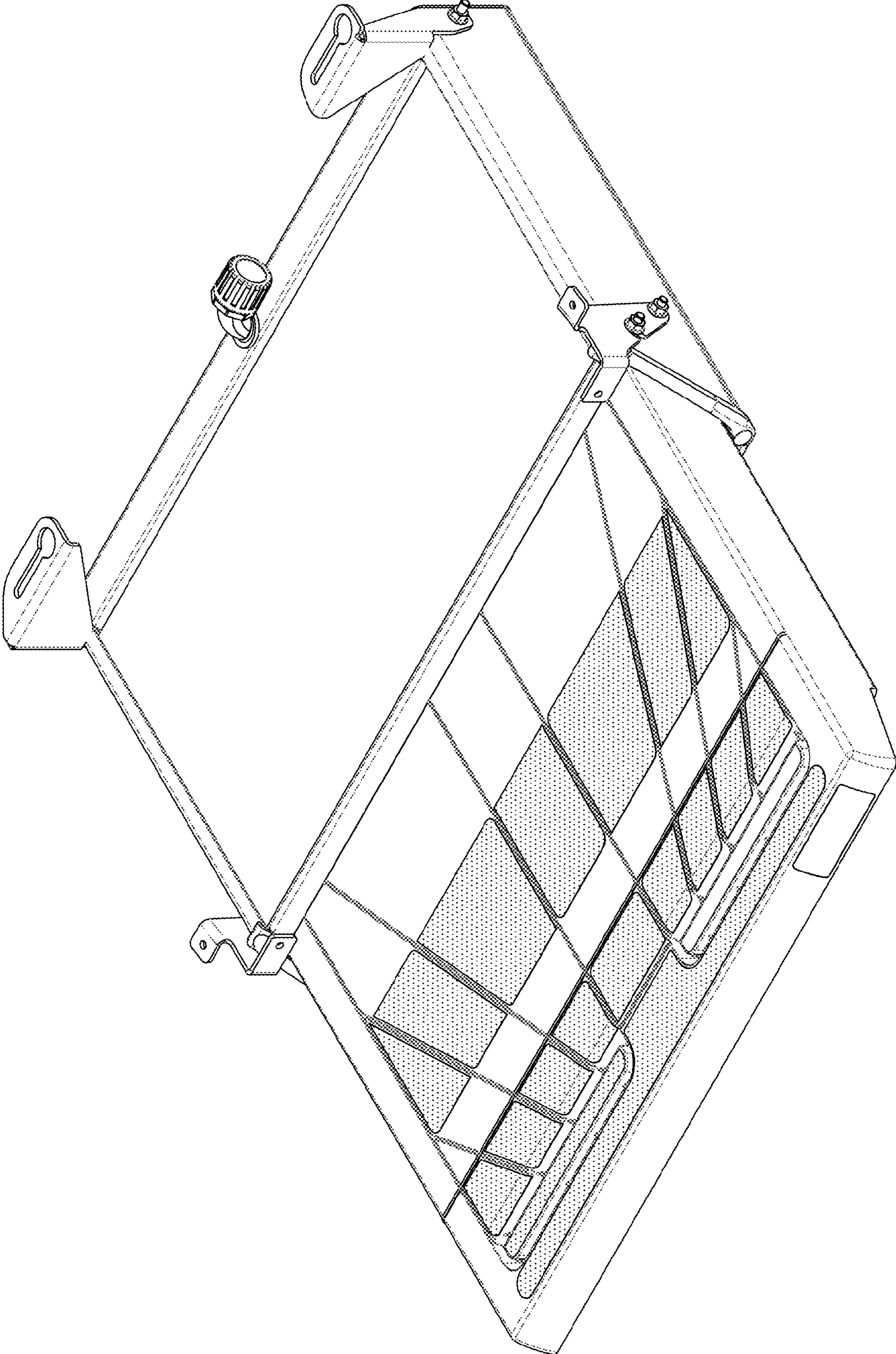


FIG. 1

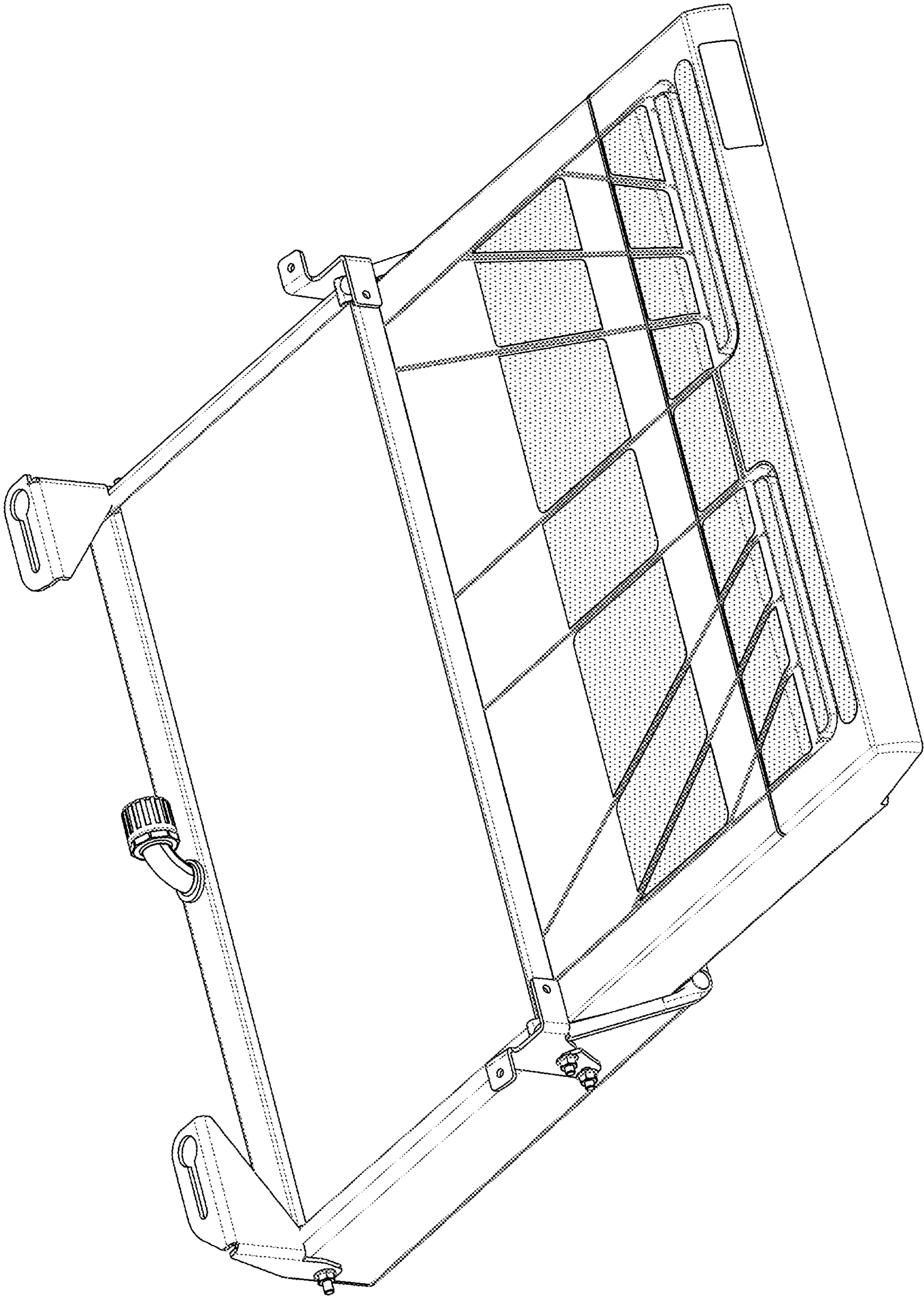


FIG. 2

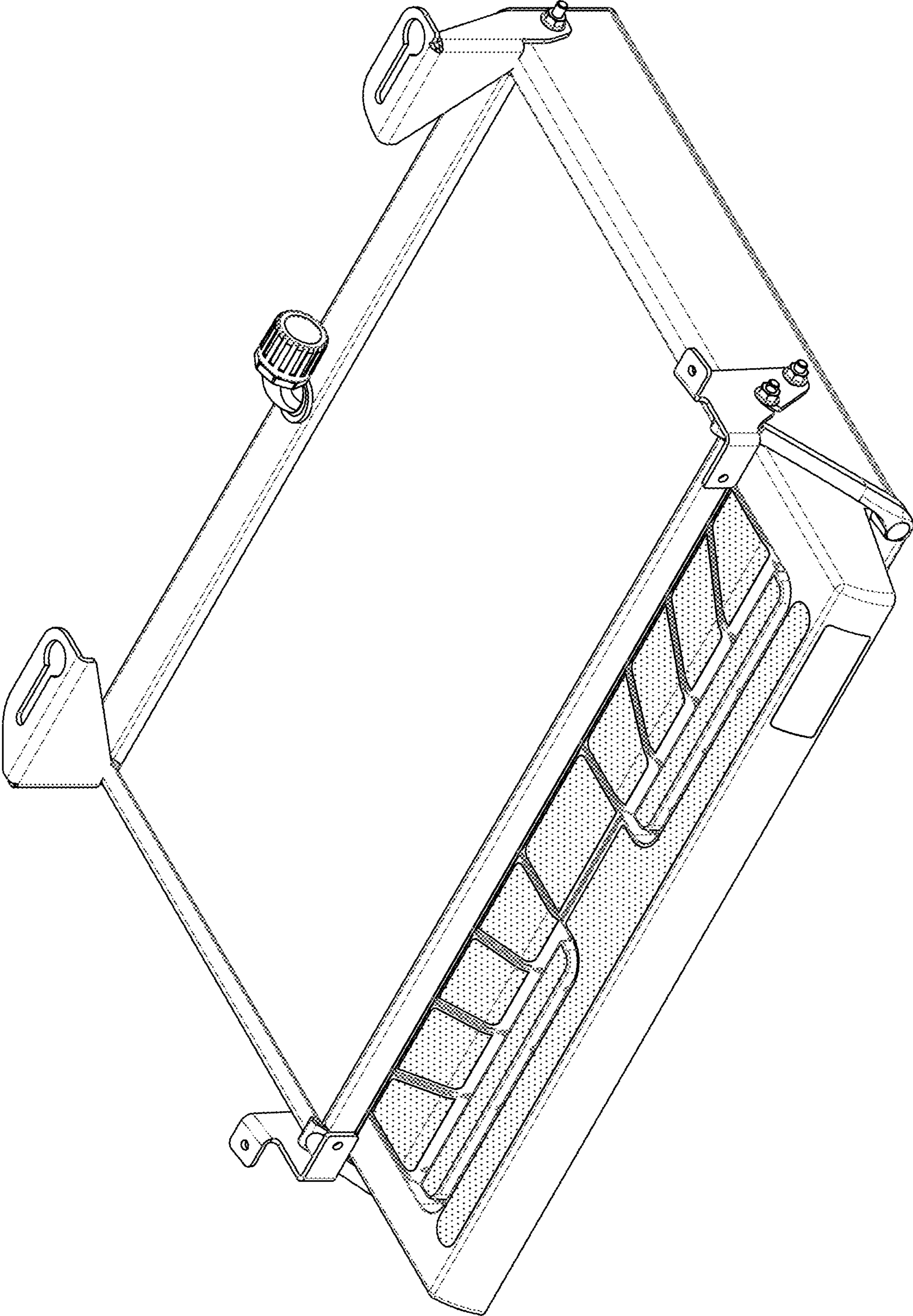


FIG. 3

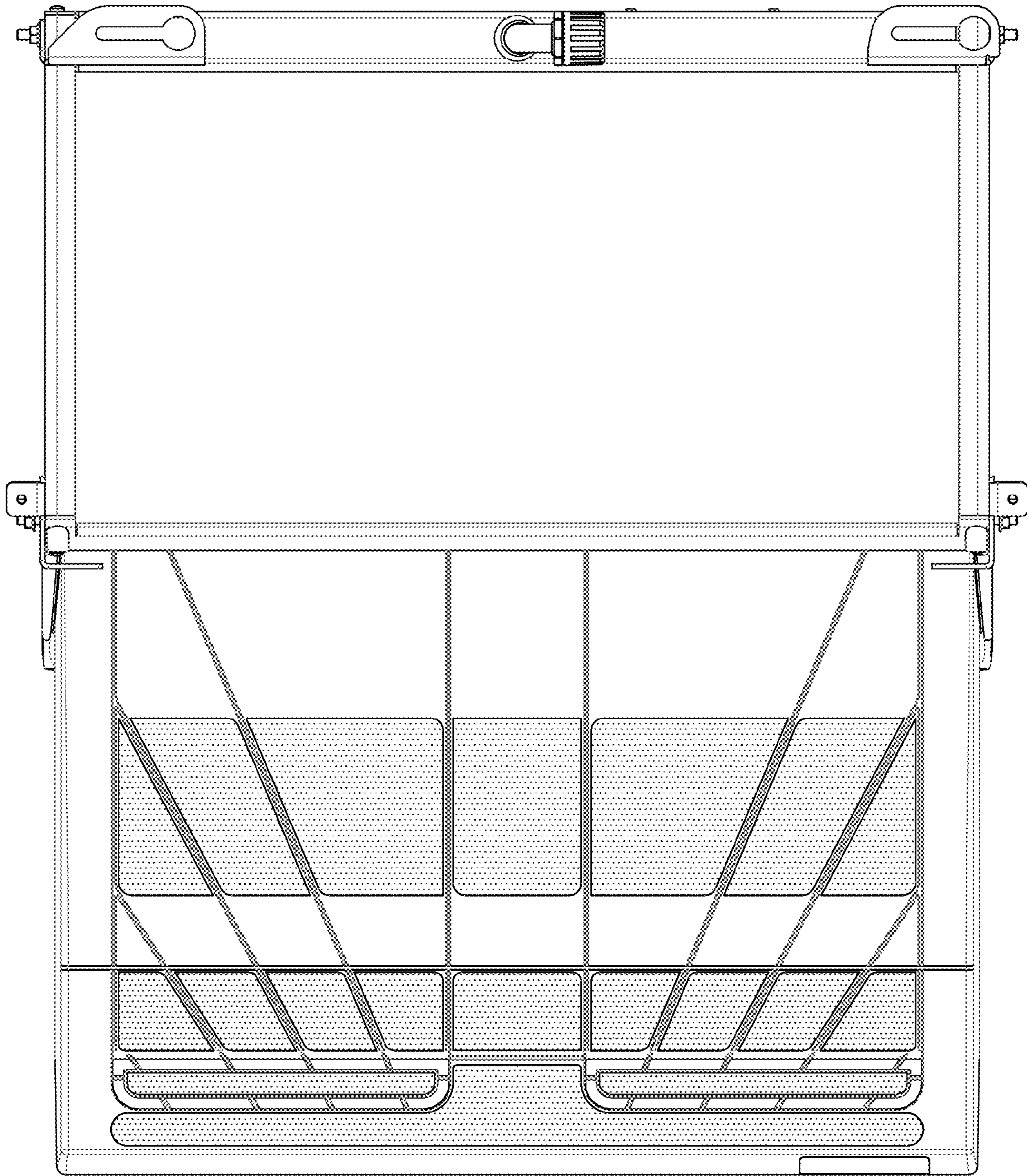


FIG. 4

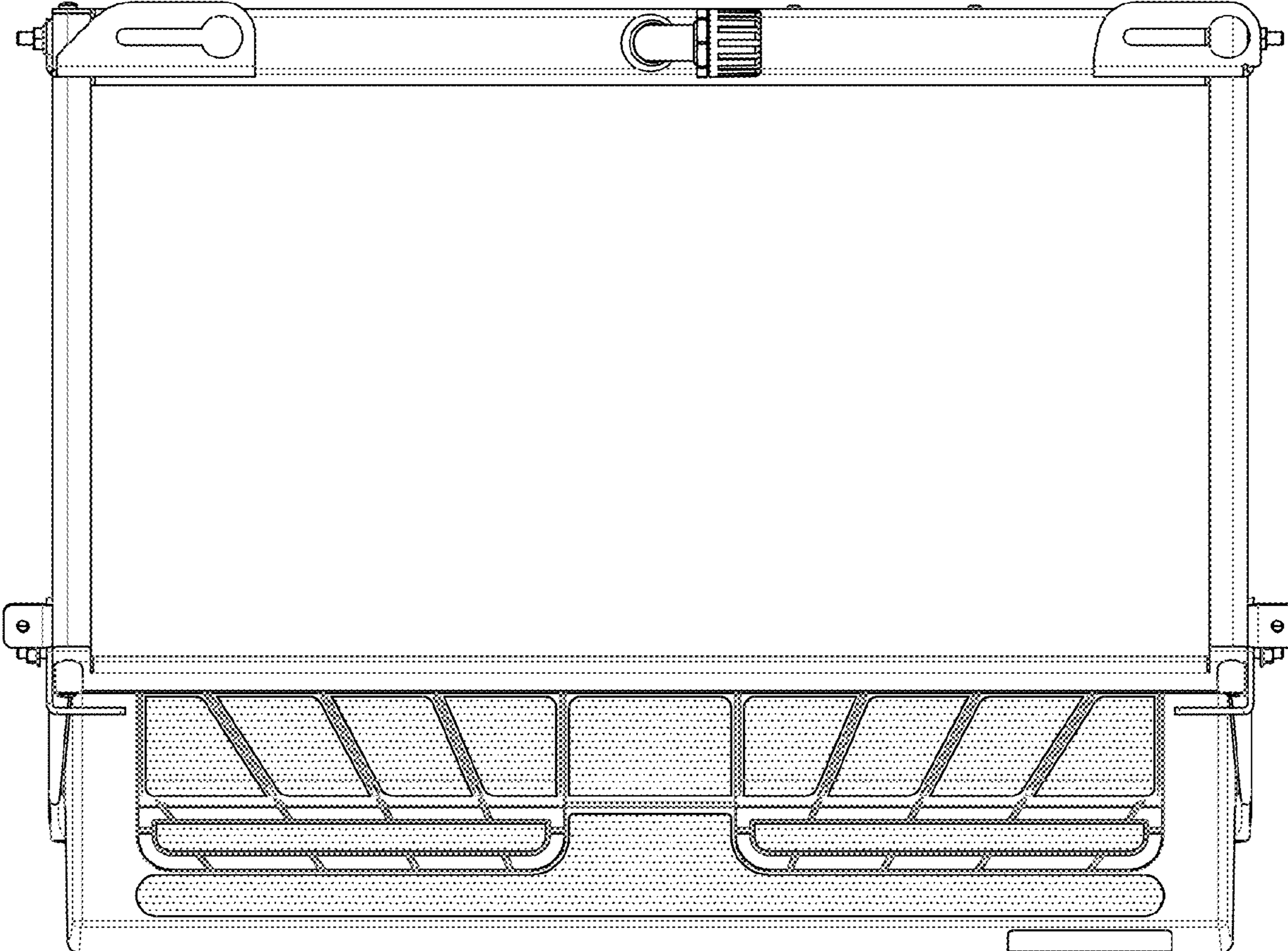


FIG. 5