



US00D951841S

(12) **United States Design Patent** (10) **Patent No.:** **US D951,841 S**
Li (45) **Date of Patent:** **** May 17, 2022**

(54) **RUNNING BOARD**
(71) Applicant: **M2 Distribution Ltd.**, Port Coquitlam (CA)
(72) Inventor: **Ming Li**, Coquitlam (CA)
(73) Assignee: **M2 Distribution Ltd.**, Port Coquitlam (CA)
(**) Term: **15 Years**

D811,976 S * 3/2018 Wu D12/203
10,011,231 B1 * 7/2018 Wymore B60R 3/002
D824,830 S * 8/2018 Wolf D12/203
D829,626 S * 10/2018 Tang D12/203
D847,716 S * 5/2019 Kim D12/203
10,322,676 B2 * 6/2019 Yang B60R 3/002
D855,531 S * 8/2019 Hodges D12/203
D858,397 S * 9/2019 Storer D12/203
D864,068 S * 10/2019 Fichter D12/203
D864,069 S * 10/2019 Fichter D12/203
D886,019 S * 6/2020 Zhang D12/203
D886,702 S * 6/2020 Guo D12/203
2016/0059774 A1 * 3/2016 Crandall B60Q 1/2696
280/164.1

(21) Appl. No.: **29/752,258**
(22) Filed: **Sep. 25, 2020**
(51) **LOC (13) Cl.** **12-16**
(52) **U.S. Cl.**
USPC **D12/203**
(58) **Field of Classification Search**
USPC D12/203, 98, 314, 162, 190, 196
CPC .. B60R 3/002; B60R 3/02; B60R 3/00; B60R
3/005; B60R 3/007
See application file for complete search history.

* cited by examiner

Primary Examiner — Michelle E. Wilson
Assistant Examiner — Clese Moore, Jr.
(74) *Attorney, Agent, or Firm* — Eric J. Sosenko;
Jonathan P. O'Brien; Honigman LLP

(57) **CLAIM**

An ornamental design for a running board, as shown and described.

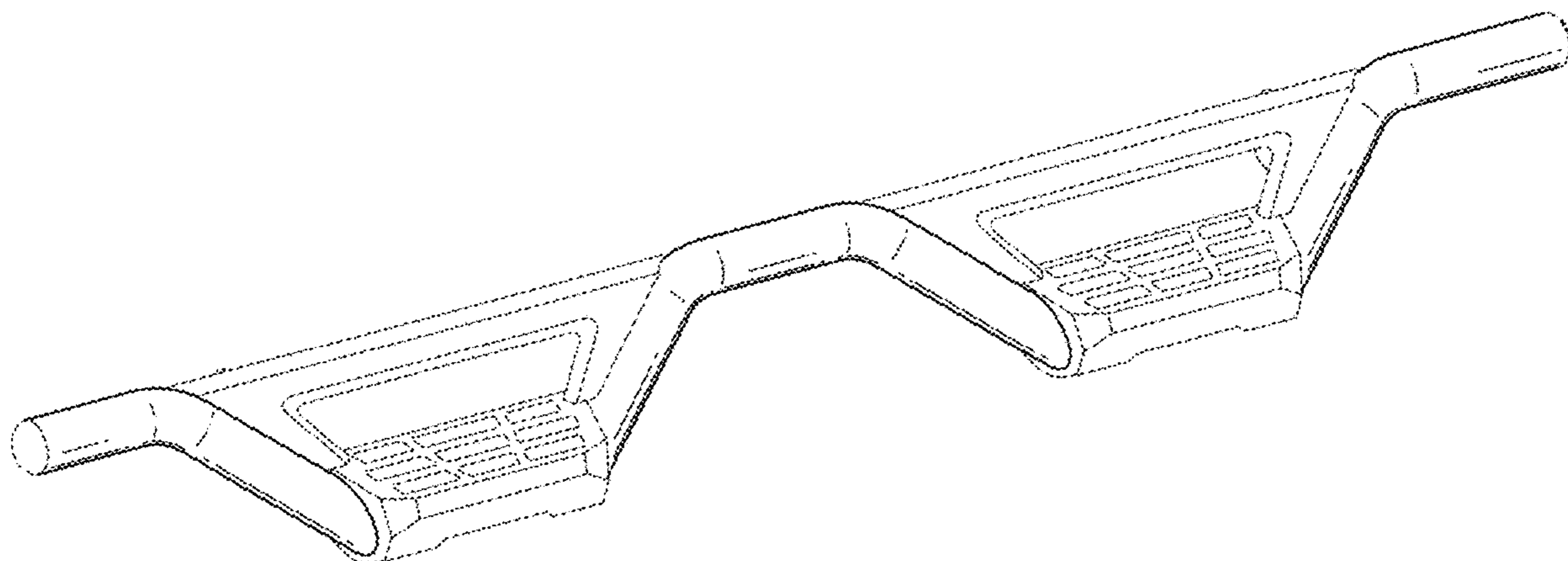
DESCRIPTION

FIG. 1 is a perspective view of the running board according to my new design;
FIG. 2 is a front view of the running board seen in FIG. 1;
FIG. 3 is a rear view of the running board seen in FIG. 1;
FIG. 4 is a left side view of the running board seen in FIG. 1, the right side view being a mirror image thereof;
FIG. 5 is a top view of the running board seen in FIG. 1; and,
FIG. 6 is a bottom view of the running board seen in FIG. 1.

In the drawings, the broken lines depict portions of the running board that form no part of the claimed design. Shade lines having a combination of long and short lines in the figures show contour and not surface ornamentation.

1 Claim, 3 Drawing Sheets

(56) **References Cited**
U.S. PATENT DOCUMENTS
D568,222 S * 5/2008 Storer D12/203
D665,713 S * 8/2012 Pochurek D12/203
D671,874 S * 12/2012 Kekich, Jr. D12/203
8,641,068 B1 * 2/2014 Bundy B60R 3/002
280/163
8,864,158 B1 * 10/2014 Perkins B60R 3/002
280/163
D720,674 S * 1/2015 Stanesic D12/203
D731,384 S * 6/2015 Farr D12/203
D737,188 S * 8/2015 Perkins D12/203
D739,322 S * 9/2015 Villareal D12/203
D757,622 S * 5/2016 Wolf D12/203
D789,858 S * 6/2017 Hare D12/203
D805,986 S * 12/2017 Chi D12/203
D809,446 S * 2/2018 Montoya D12/203



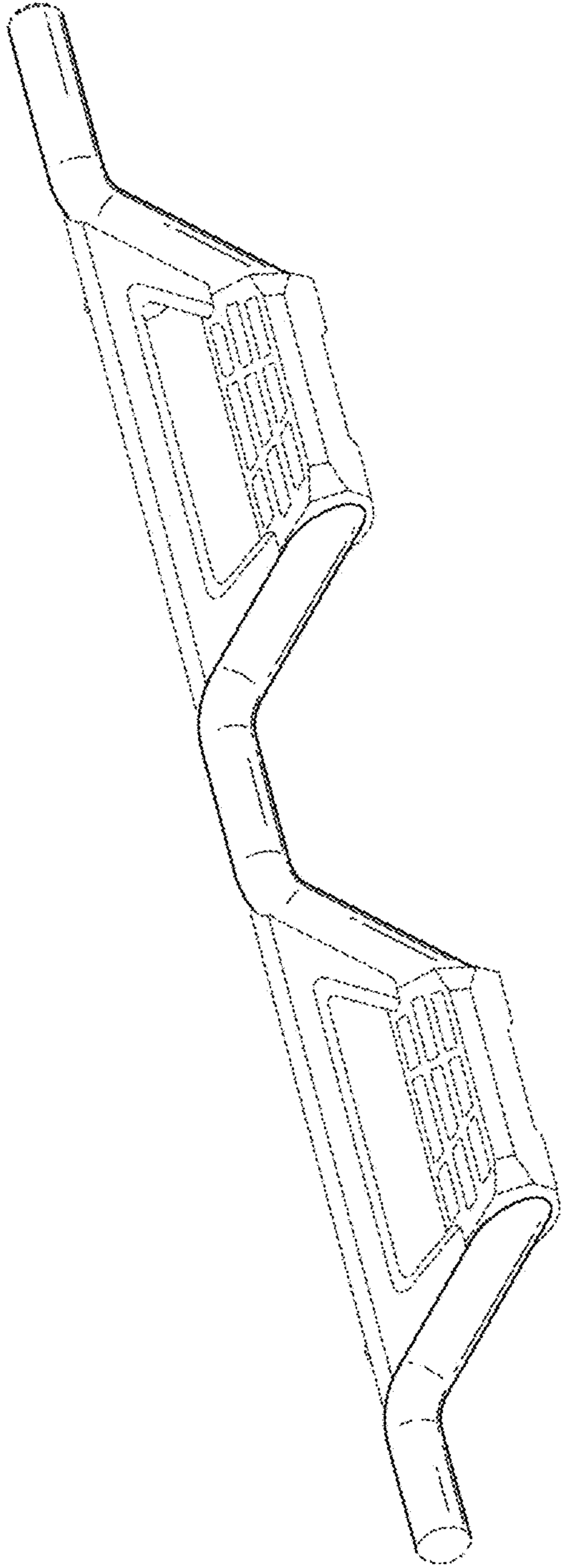


FIG. 1

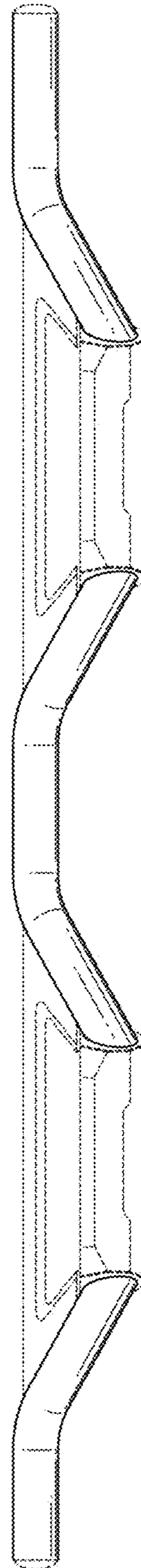


FIG. 2

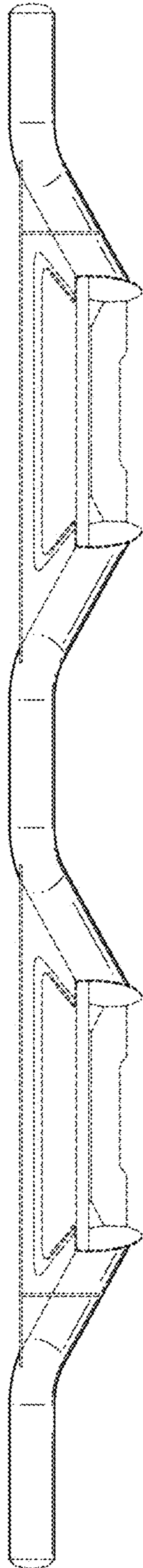


FIG. 3

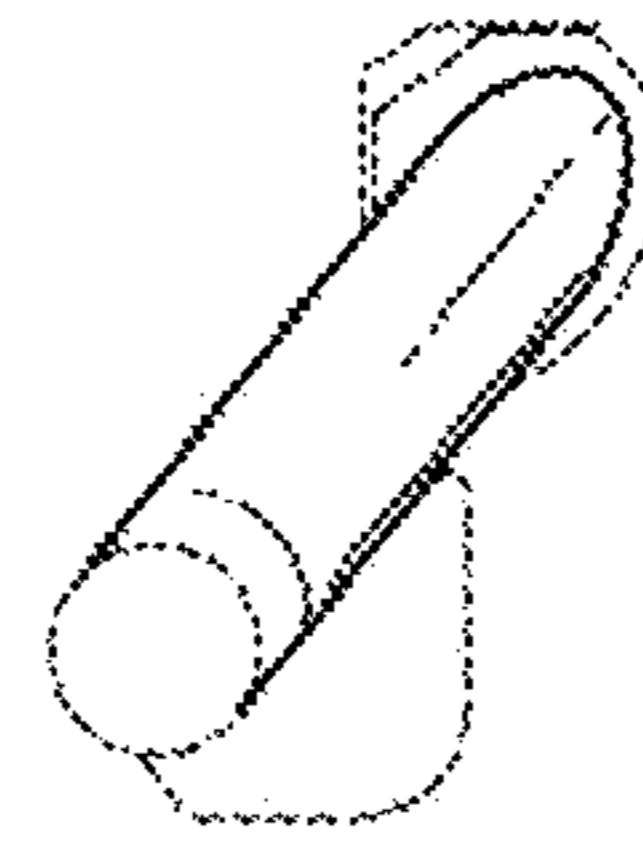


FIG. 4

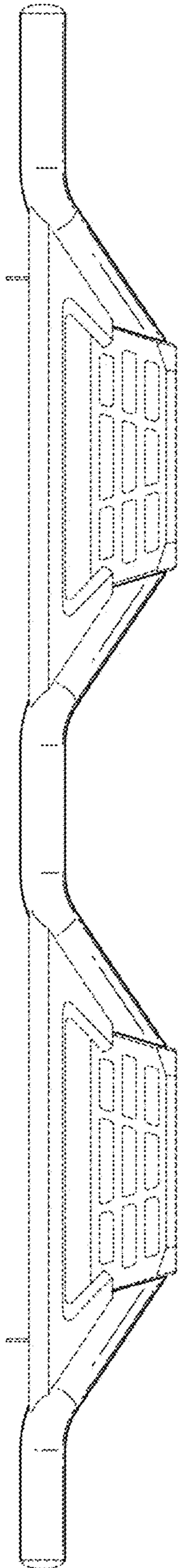


FIG. 5

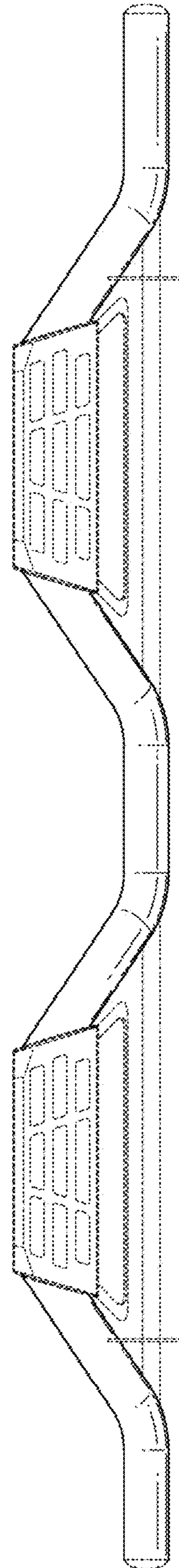


FIG. 6