



US00D951840S

(12) **United States Design Patent** (10) **Patent No.:** **US D951,840 S**
Cho et al. (45) **Date of Patent:** **** May 17, 2022**

(54) **TAILGATE PANEL FOR AUTOMOBILE**
(71) Applicants: **KIA MOTORS CORPORATION**,
Seoul (KR); **HYUNDAI MOTOR**
COMPANY, Seoul (KR)
(72) Inventors: **Man-Hee Cho**, Yongin-si (KR);
Jung-Yong Park, Hwaseong-si (KR)
(**) Term: **15 Years**

(21) Appl. No.: **35/511,387**
(22) Filed: **Nov. 6, 2020**

(80) **Hague Agreement Data**
Int. Filing Date: **Nov. 6, 2020**
Int. Reg. No.: **DM/212563**
Int. Reg. Date: **Nov. 6, 2020**
Int. Reg. Pub. Date: **Feb. 12, 2021**

(30) **Foreign Application Priority Data**
Jun. 1, 2020 (KR) 30-2020-0024255
(51) **LOC (13) Cl.** **12-16**
(52) **U.S. Cl.**
USPC **D12/196**
(58) **Field of Classification Search**
USPC D12/90-92, 169, 190, 195, 196
CPC B60J 5/10; B60J 5/101; B62D 25/087
See application file for complete search history.

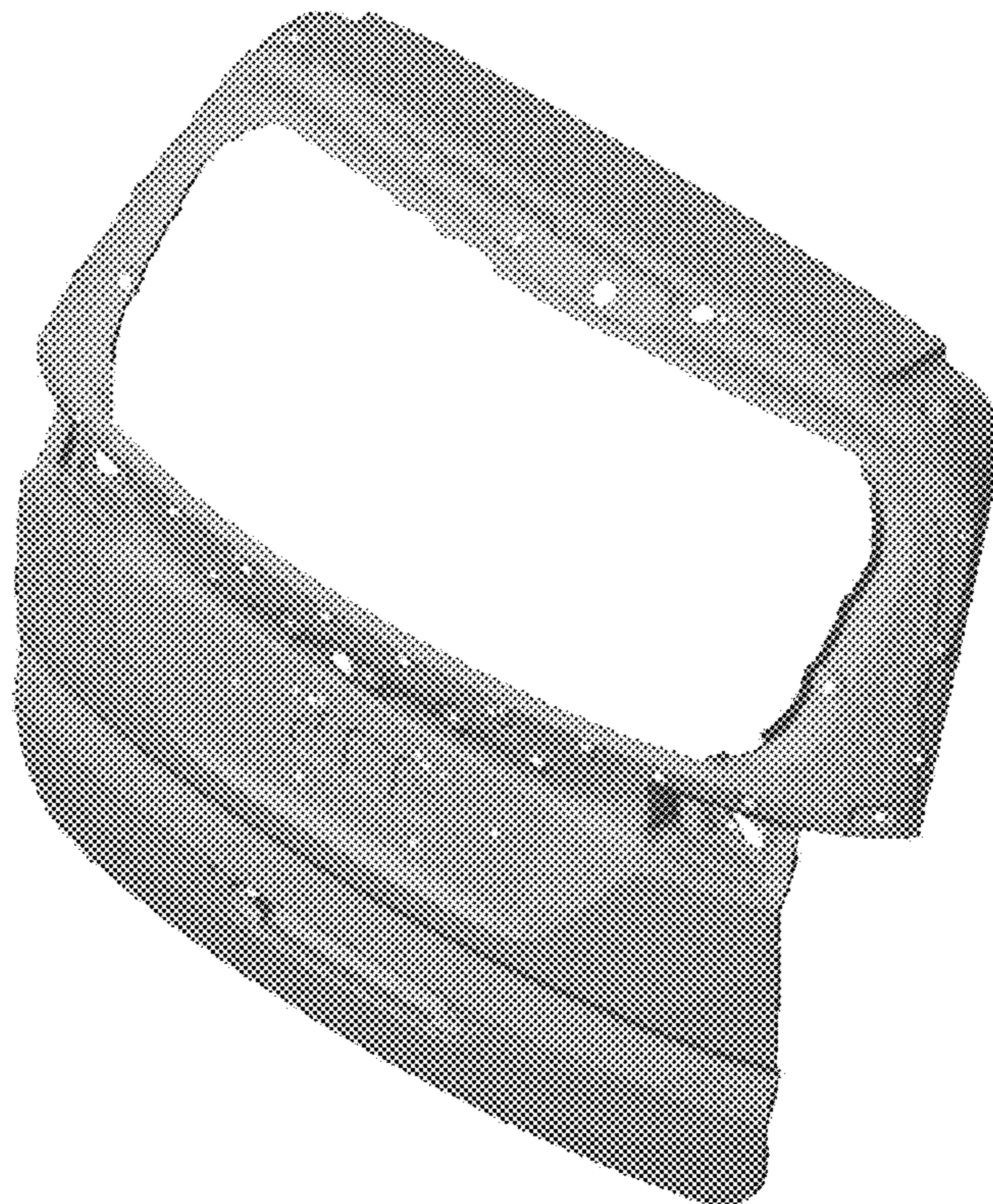
(56) **References Cited**
U.S. PATENT DOCUMENTS
D681,529 S * 5/2013 Minami D12/196
D718,695 S * 12/2014 Galante D12/196
D749,480 S * 2/2016 Yu D12/196
D779,406 S * 2/2017 Park D12/196
D817,836 S * 5/2018 McMahan D12/196
D839,163 S * 1/2019 Pinazzo D12/196
D893,377 S * 8/2020 Kim D12/196

* cited by examiner
Primary Examiner — Joseph Kukella

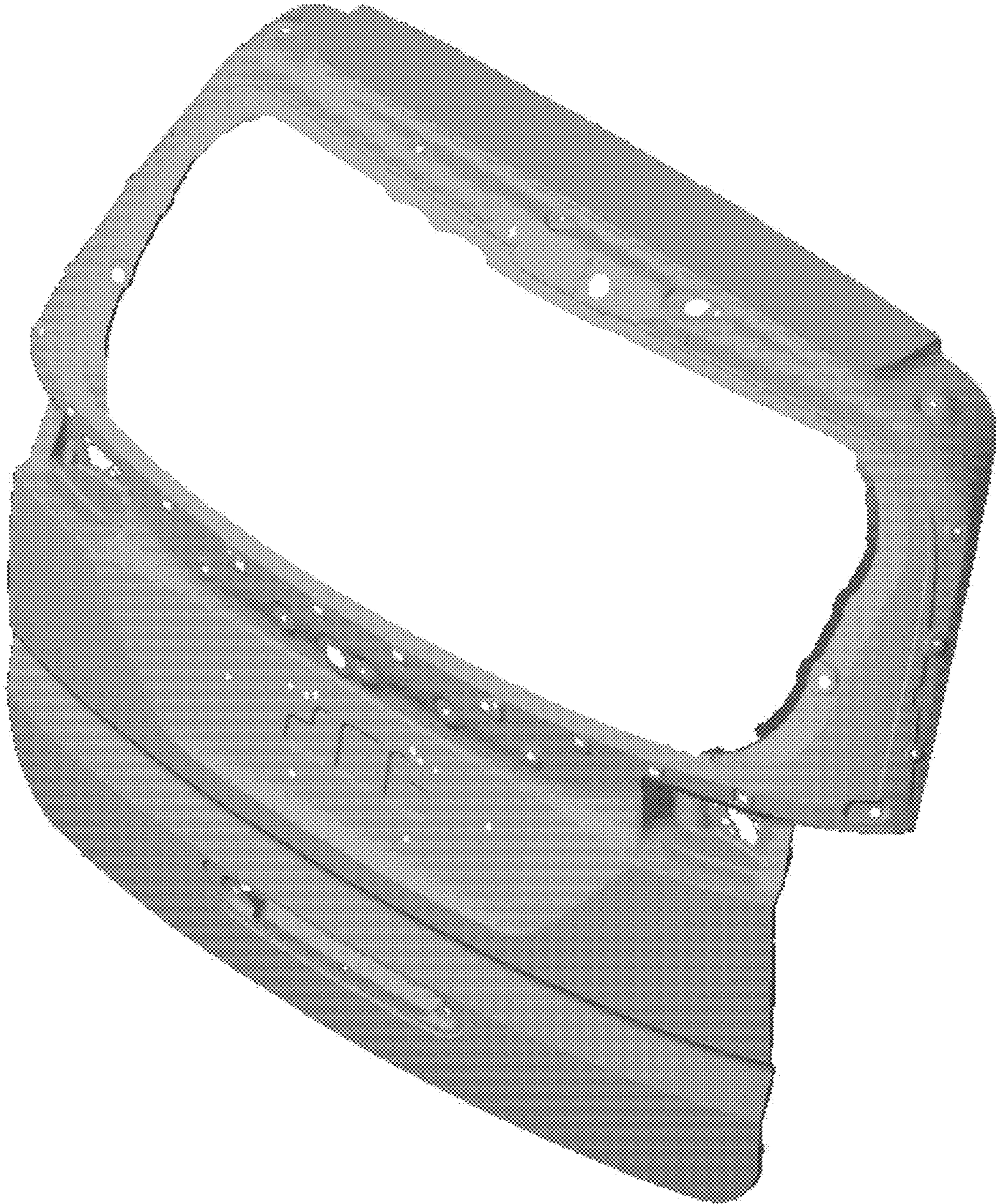
(57) **CLAIM**
The ornamental design for a tailgate panel for automobile, as shown and described.

DESCRIPTION
1. Tailgate panel for automobile
1.1 : Perspective
1.2 : Front
1.3 : Back
1.4 : Left
1.5 : Right
1.6 : Top
1.7 : Bottom
1.1 is a perspective view of a tailgate panel for automobile showing our new design; 1.2 is a front elevation view thereof; 1.3 is a back elevation view thereof; 1.4 is a left side elevation view thereof; 1.5 is a right side elevation view thereof; 1.6 is a top plan view thereof; and 1.7 is a bottom plan view thereof.

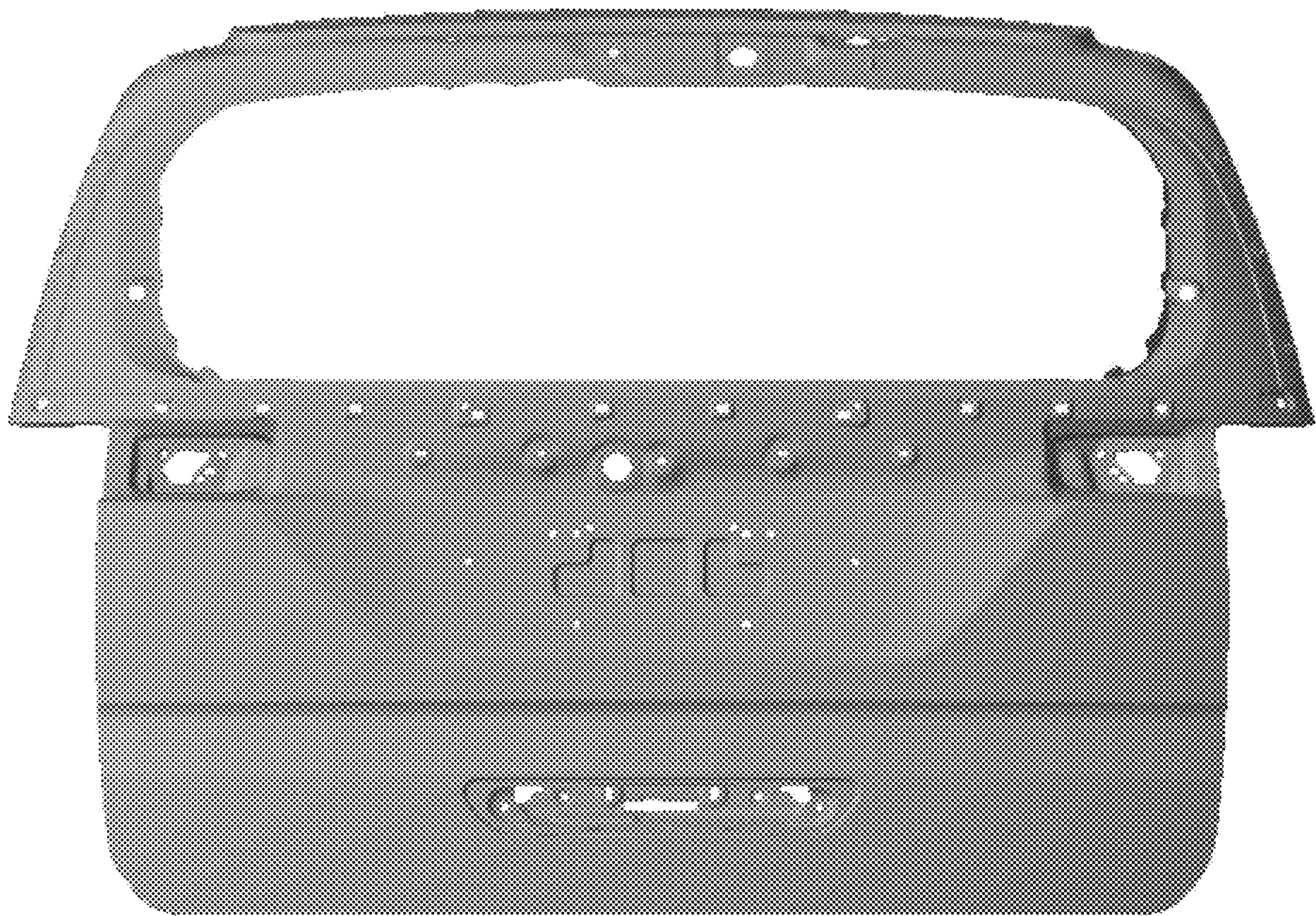
1 Claim, 7 Drawing Sheets



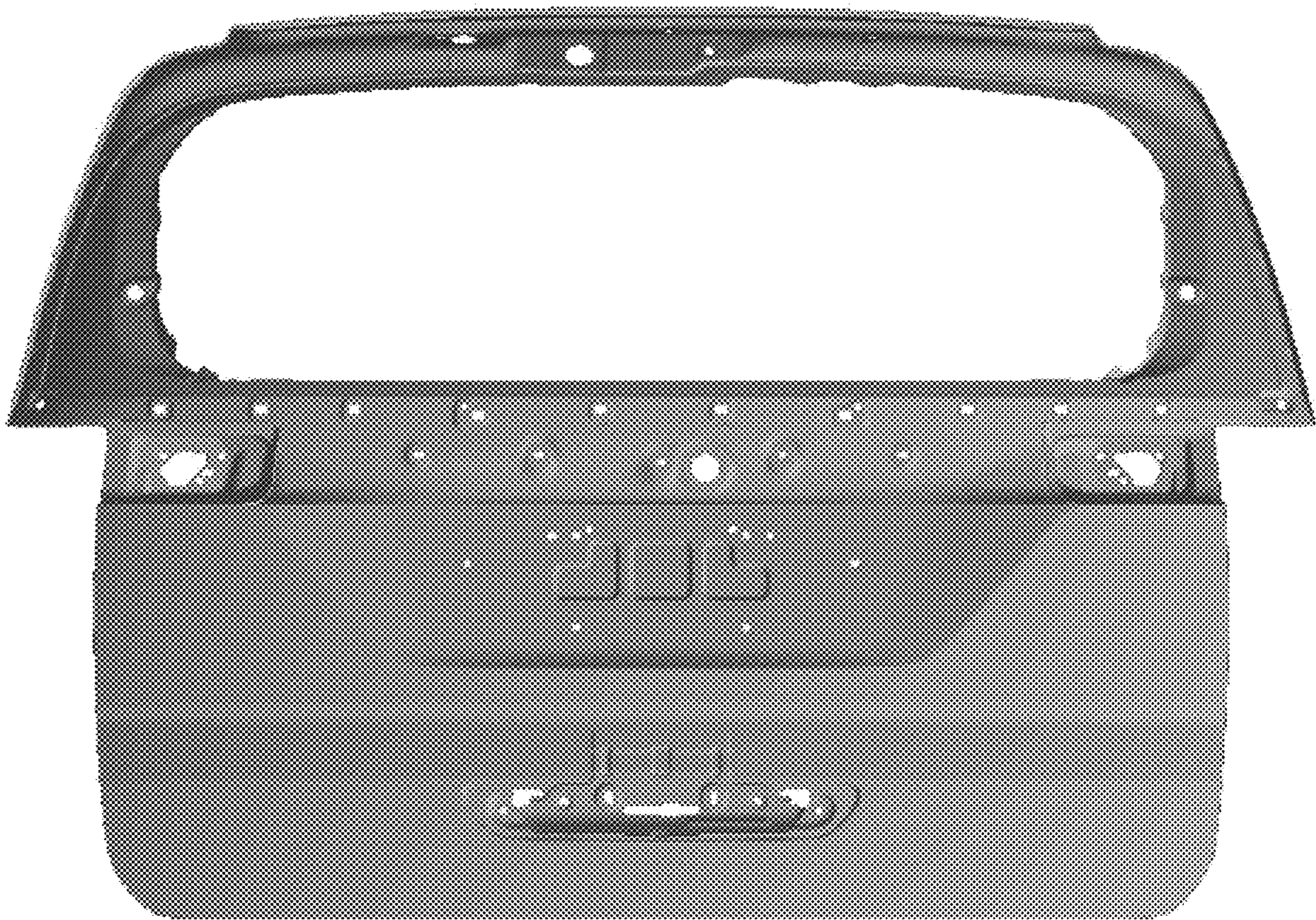
1.1



1.2



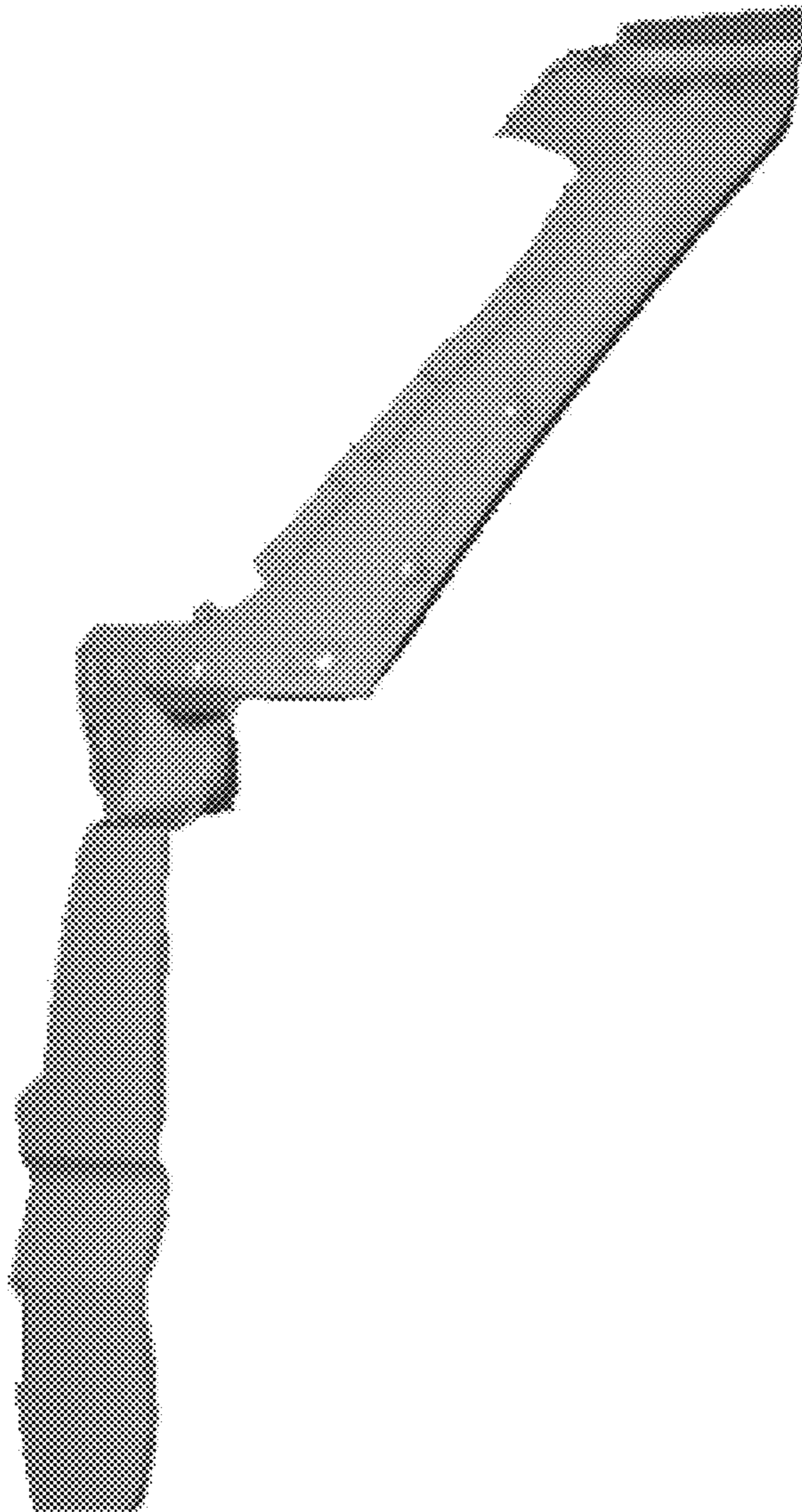
1.3



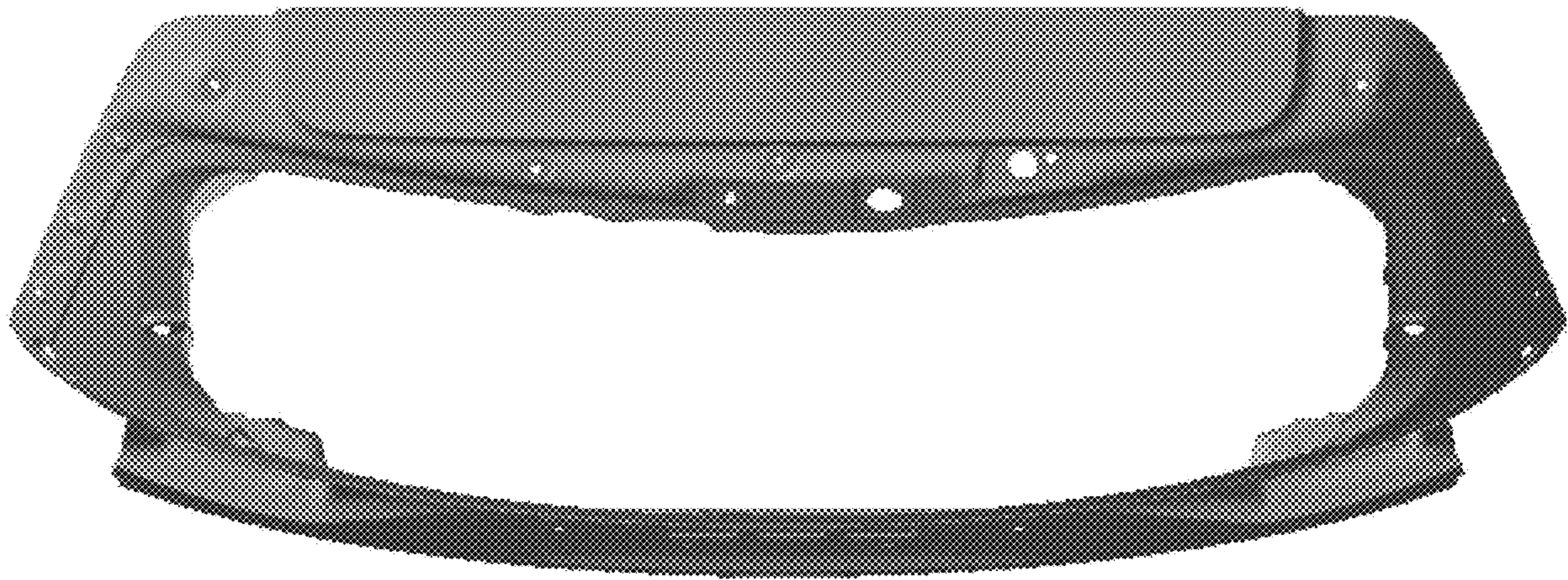
1.4



1.5



1.6



1.7

