



US00D951837S

(12) **United States Design Patent**  
**Meng et al.**

(10) **Patent No.:** **US D951,837 S**

(45) **Date of Patent:** **\*\* May 17, 2022**

(54) **UMBRELLA-STYLE VEHICLE SUNSHADE**

(71) Applicants: **Guoxing Meng**, Shaoxing (CN);  
**Zhanghuo Chen**, Shaoxing (CN)

(72) Inventors: **Guoxing Meng**, Shaoxing (CN);  
**Zhanghuo Chen**, Shaoxing (CN)

(\*\*) Term: **15 Years**

(21) Appl. No.: **29/750,327**

(22) Filed: **Sep. 13, 2020**

(51) **LOC (13) Cl.** ..... **12-16**

(52) **U.S. Cl.**  
USPC ..... **D12/183**

(58) **Field of Classification Search**  
USPC ..... D12/183, 182, 190, 191, 401, 404  
CPC ..... B60J 3/0204; B60J 1/2002; B60J 1/2005;  
B60J 1/20; B60J 3/0208; B60J 3/02  
See application file for complete search history.

(56) **References Cited**

**U.S. PATENT DOCUMENTS**

D725,560 S *	3/2015	Mays	.....	D12/183
D733,020 S *	6/2015	Queen	.....	D12/183
D735,628 S *	8/2015	Eskandry	.....	D12/183
D750,259 S *	2/2016	Lau	.....	D24/183
D756,868 S *	5/2016	Shu	.....	D12/183
D757,618 S *	5/2016	Richardson	.....	D12/183

D773,969 S *	12/2016	Akins	.....	D12/183
D776,587 S *	1/2017	Nussbaumer	.....	D12/183
D778,794 S *	2/2017	Bouie	.....	D12/183
D797,622 S *	9/2017	Taylor	.....	D12/183
D910,515 S *	2/2021	Patel	.....	D12/183
D920,198 S *	5/2021	Jia	.....	D12/183

\* cited by examiner

*Primary Examiner* — Katrina A Betton

(74) *Attorney, Agent, or Firm* — Che-Yang Chen; Law Office of Michael Chen

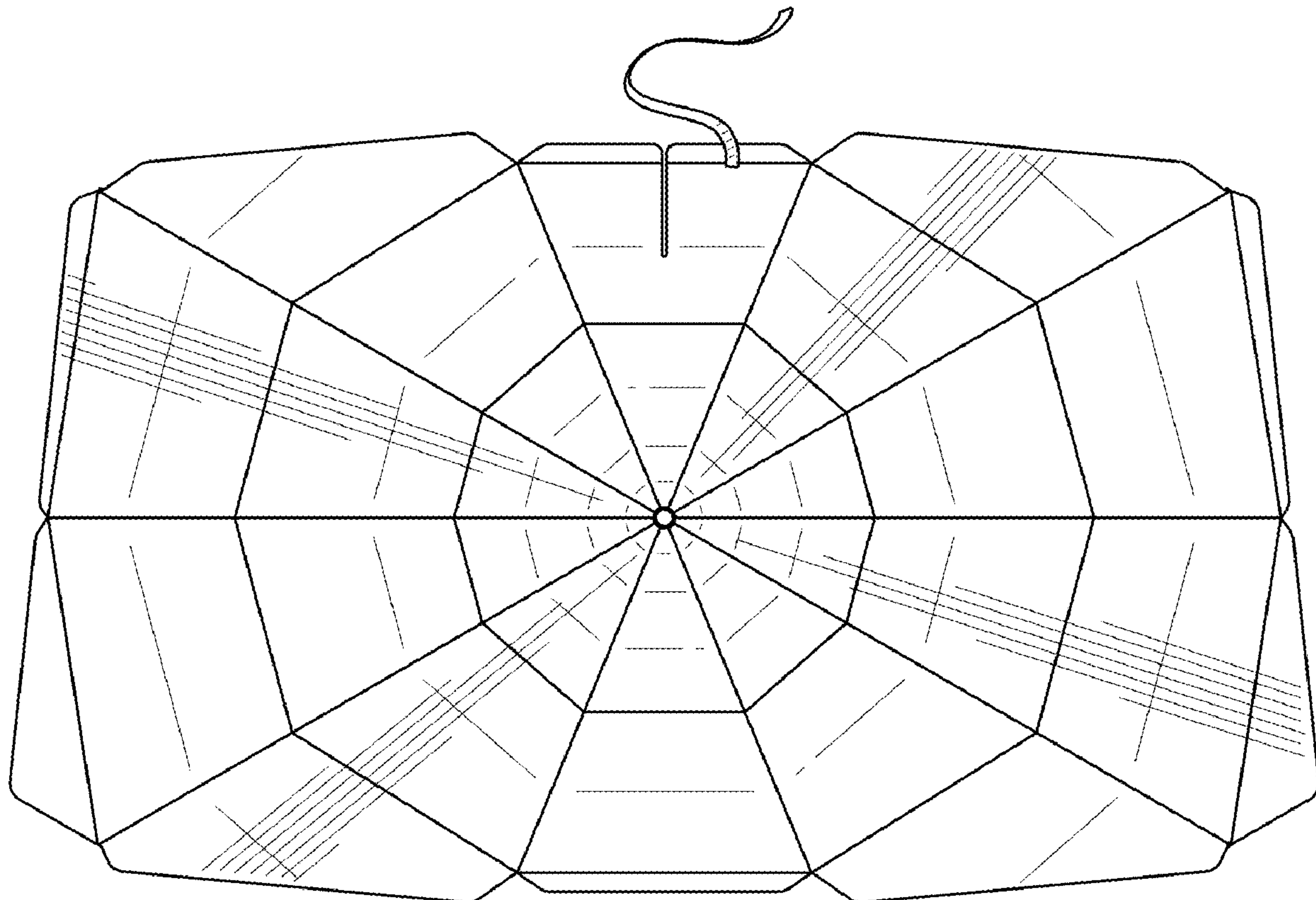
(57) **CLAIM**

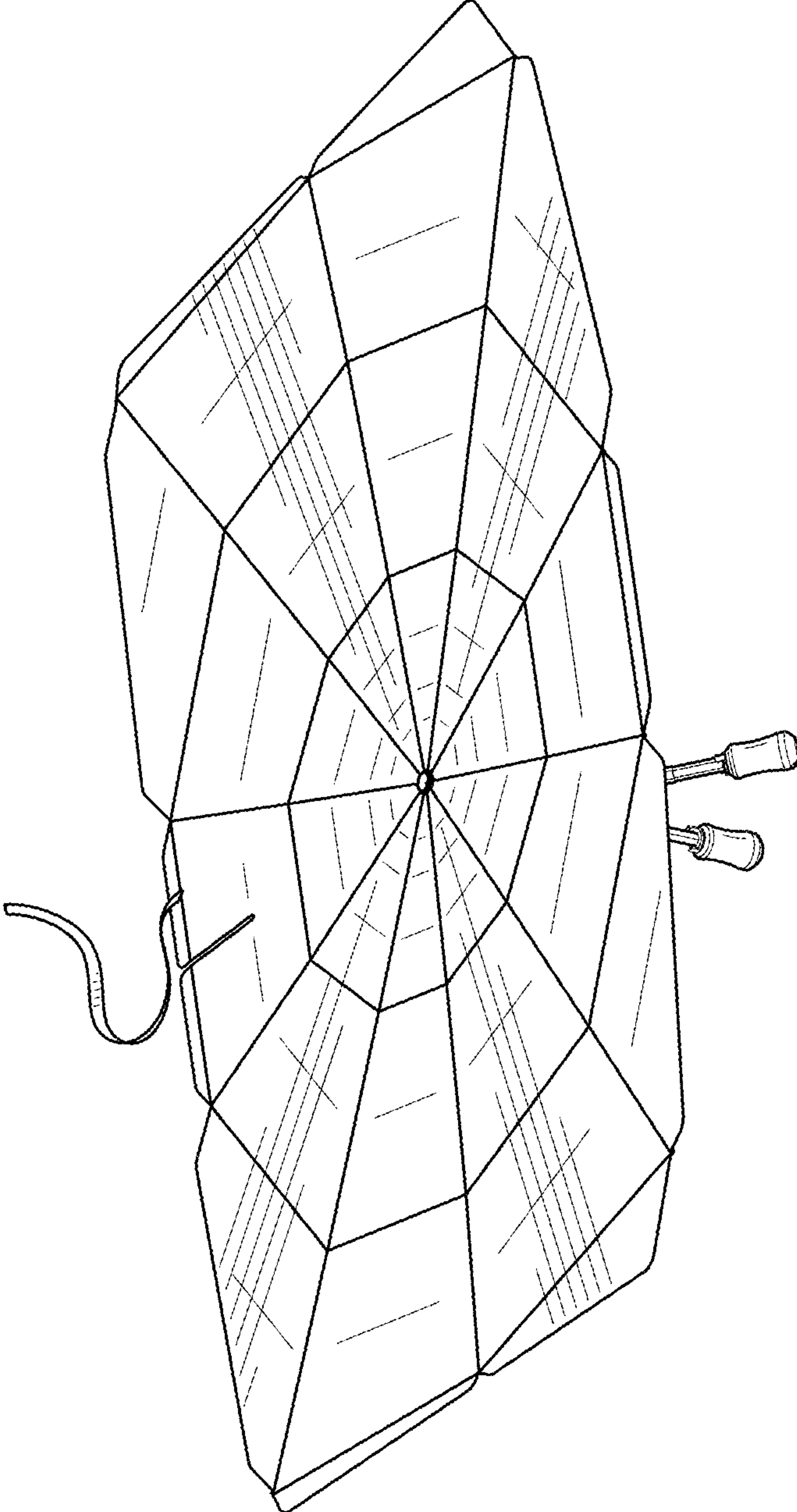
The ornamental design for an umbrella-style vehicle sunshade, as shown and described.

**DESCRIPTION**

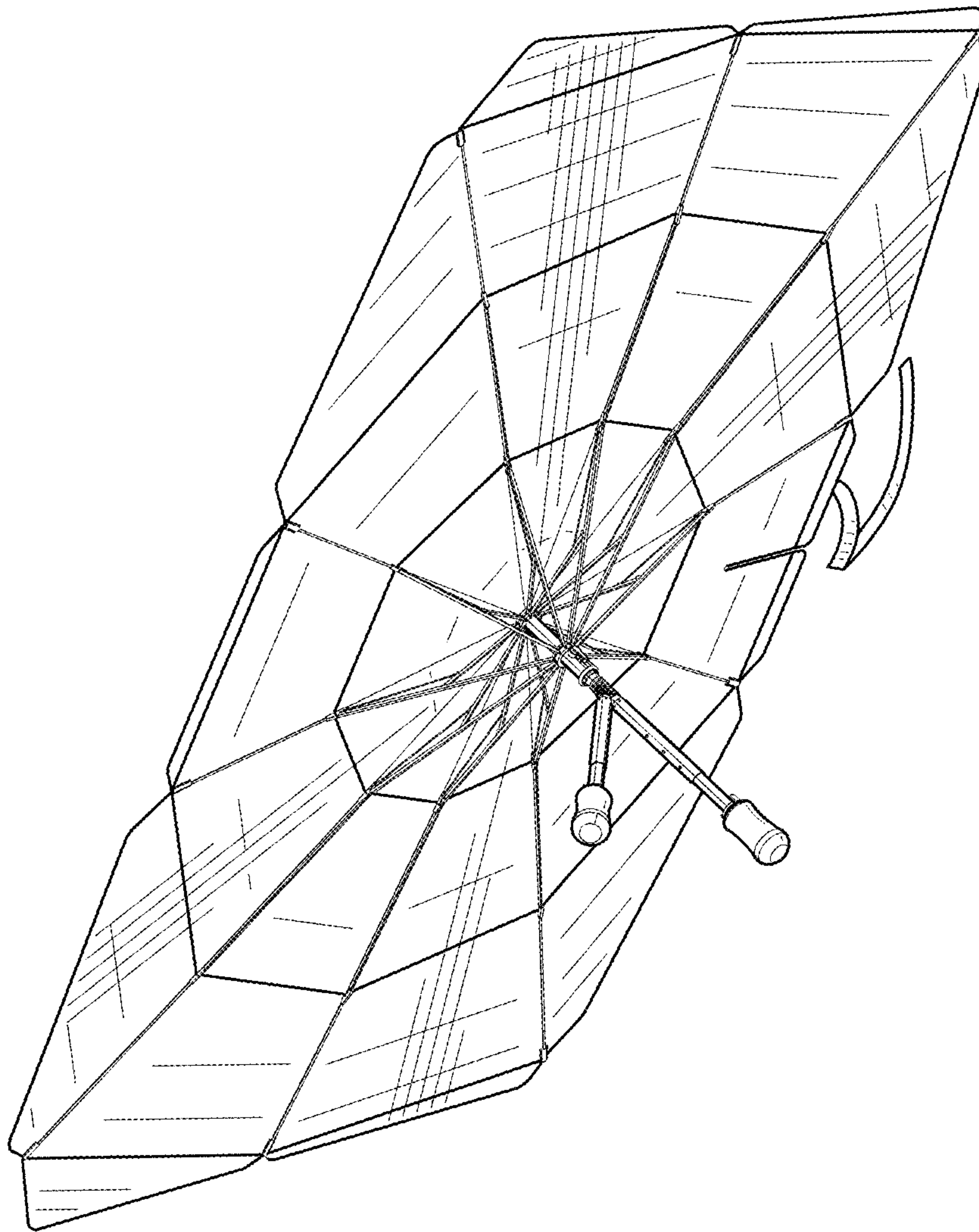
FIG. 1 is a perspective view of the umbrella-style vehicle sunshade showing my new design;  
FIG. 2 is another perspective view thereof;  
FIG. 3 is a front elevational view thereof;  
FIG. 4 is a rear elevational view thereof;  
FIG. 5 is a top plan view thereof;  
FIG. 6 is a bottom plan view thereof;  
FIG. 7 is a left side elevational view thereof; and,  
FIG. 8 is a right side elevational view thereof.

**1 Claim, 6 Drawing Sheets**





**FIG. 1**



**FIG. 2**



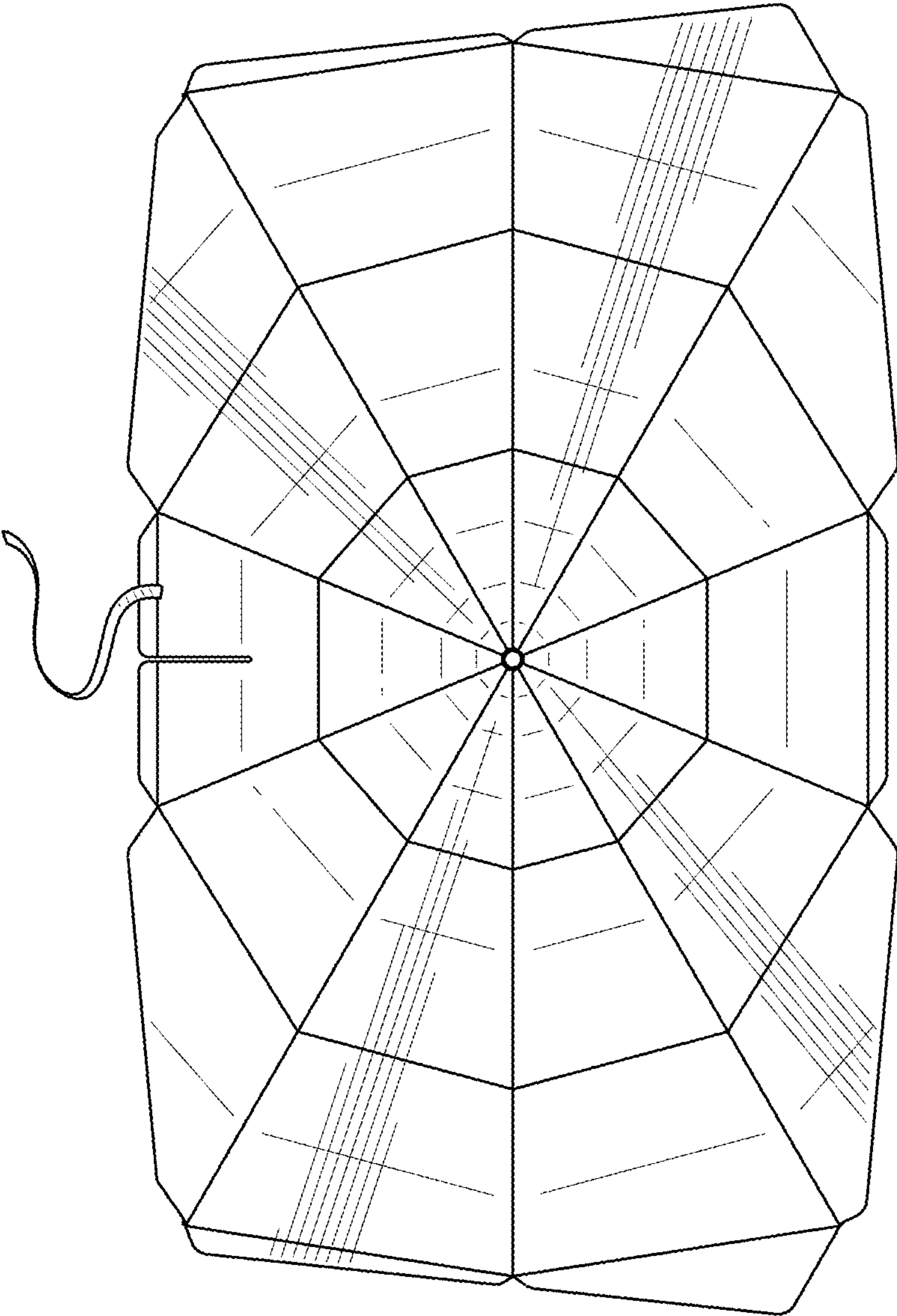
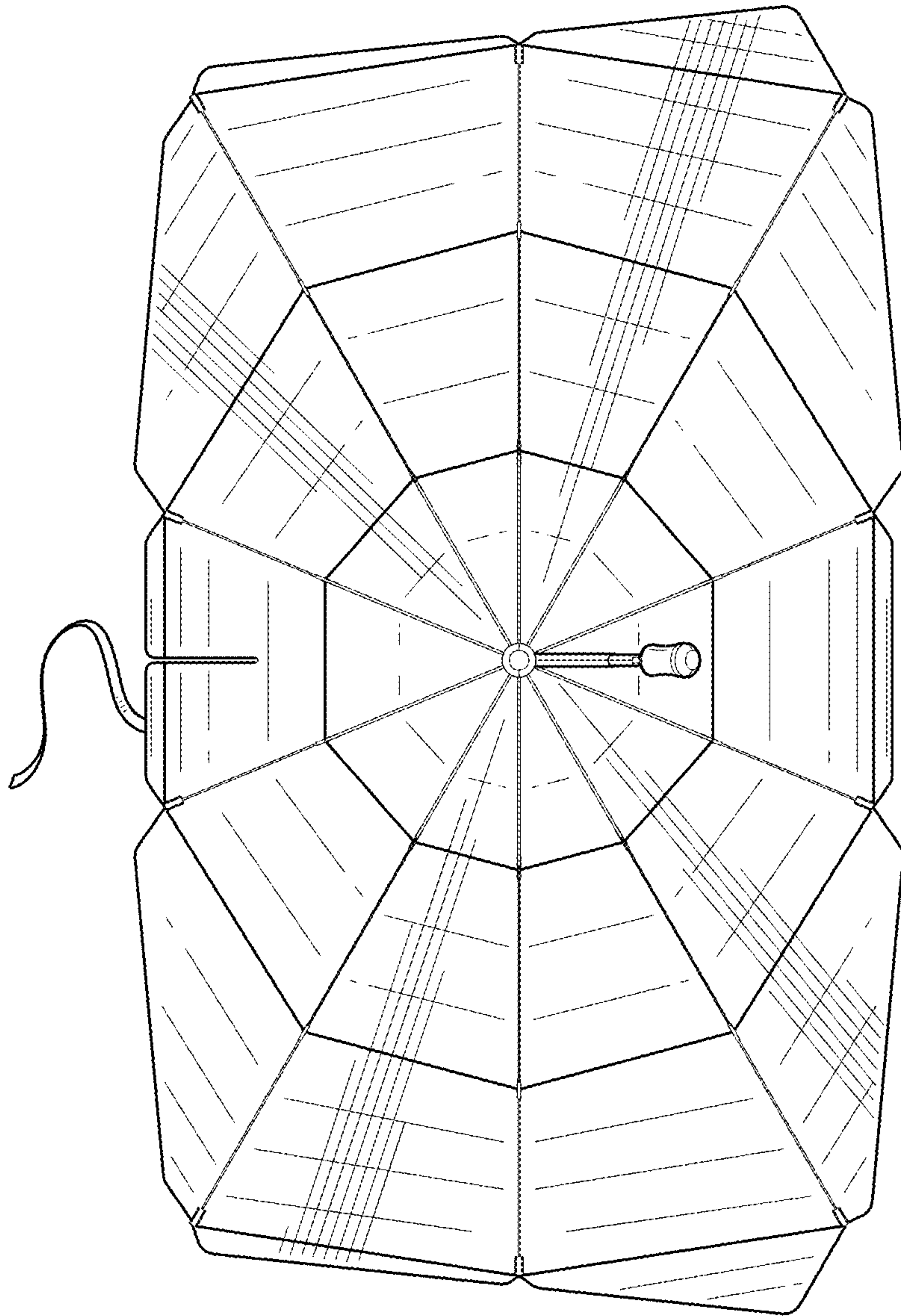
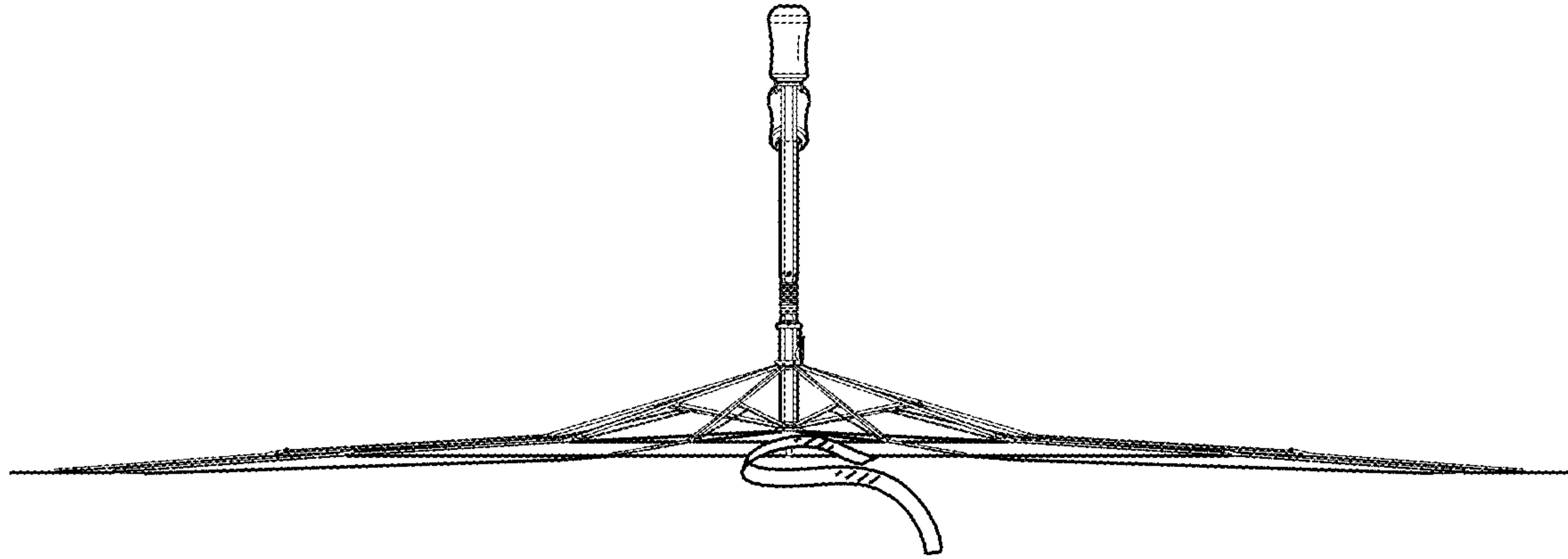


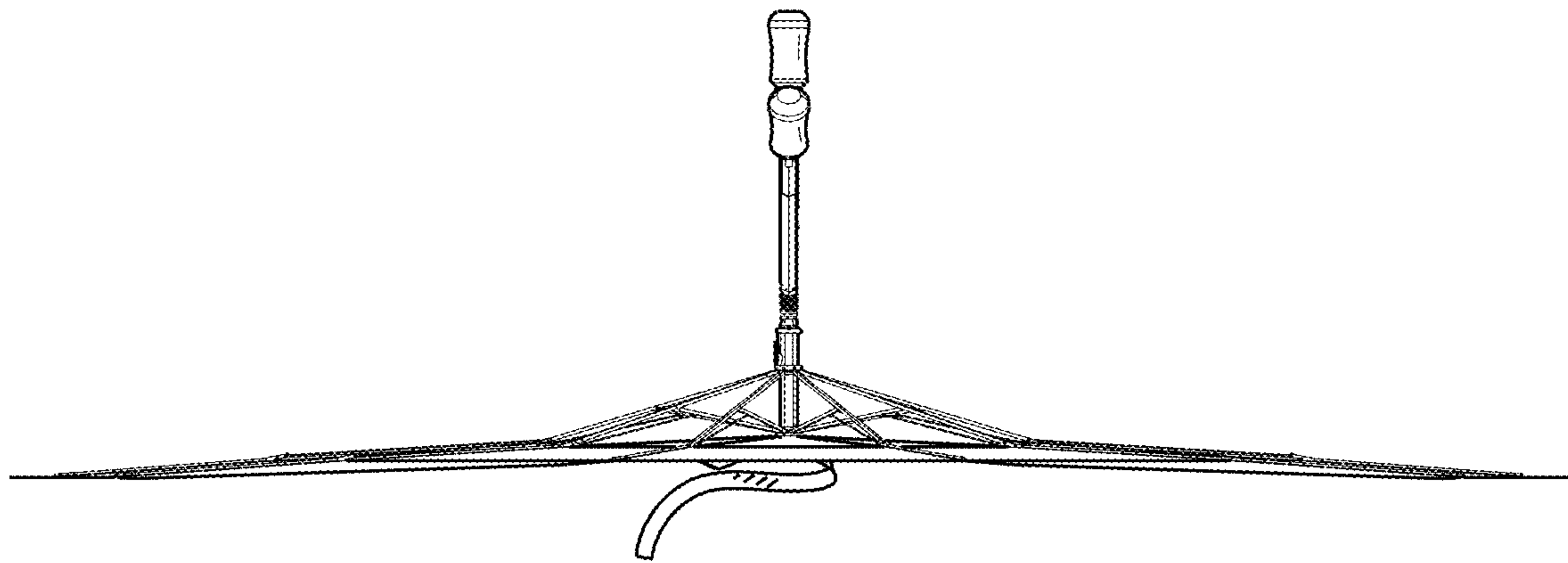
FIG. 3



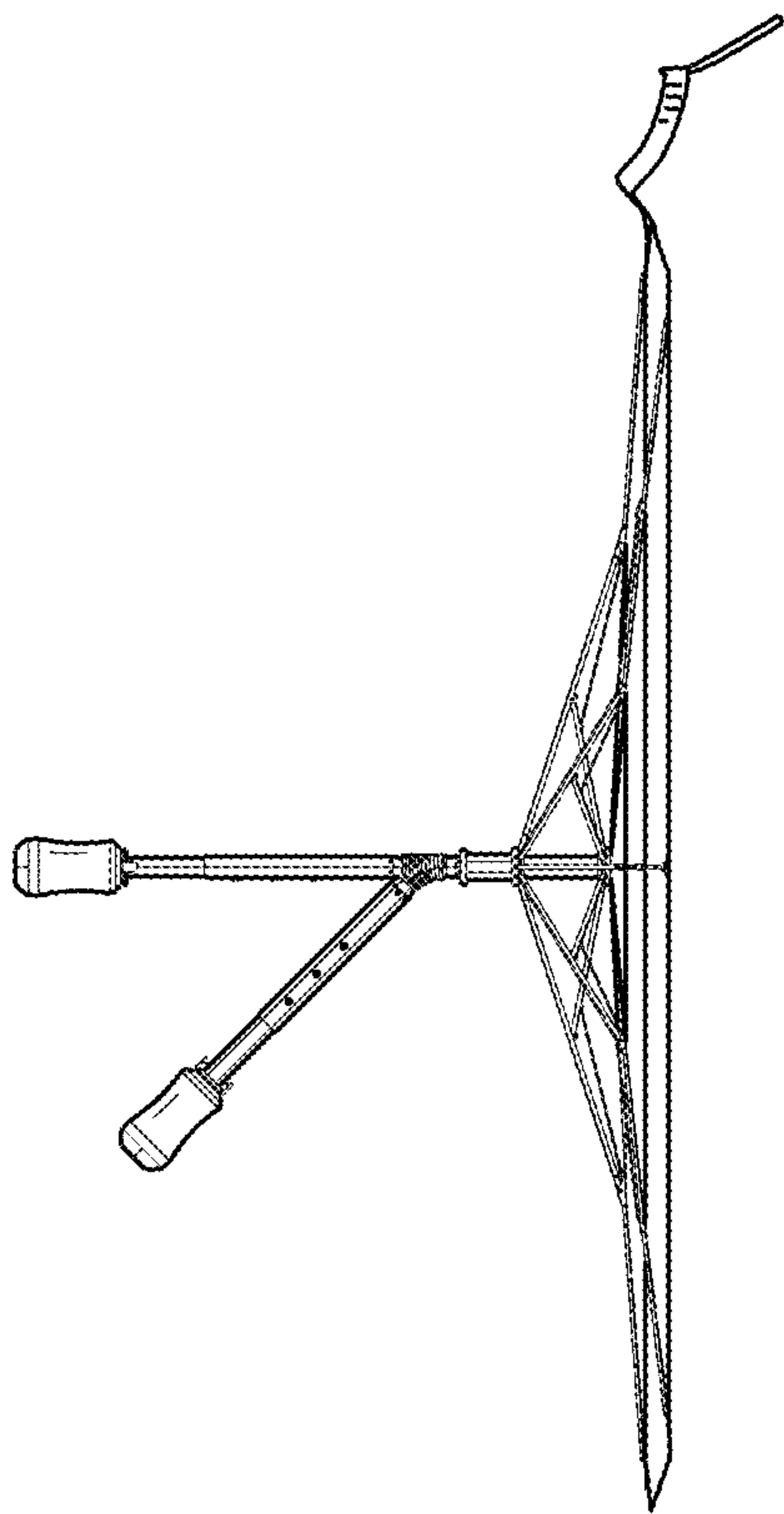
**FIG. 4**



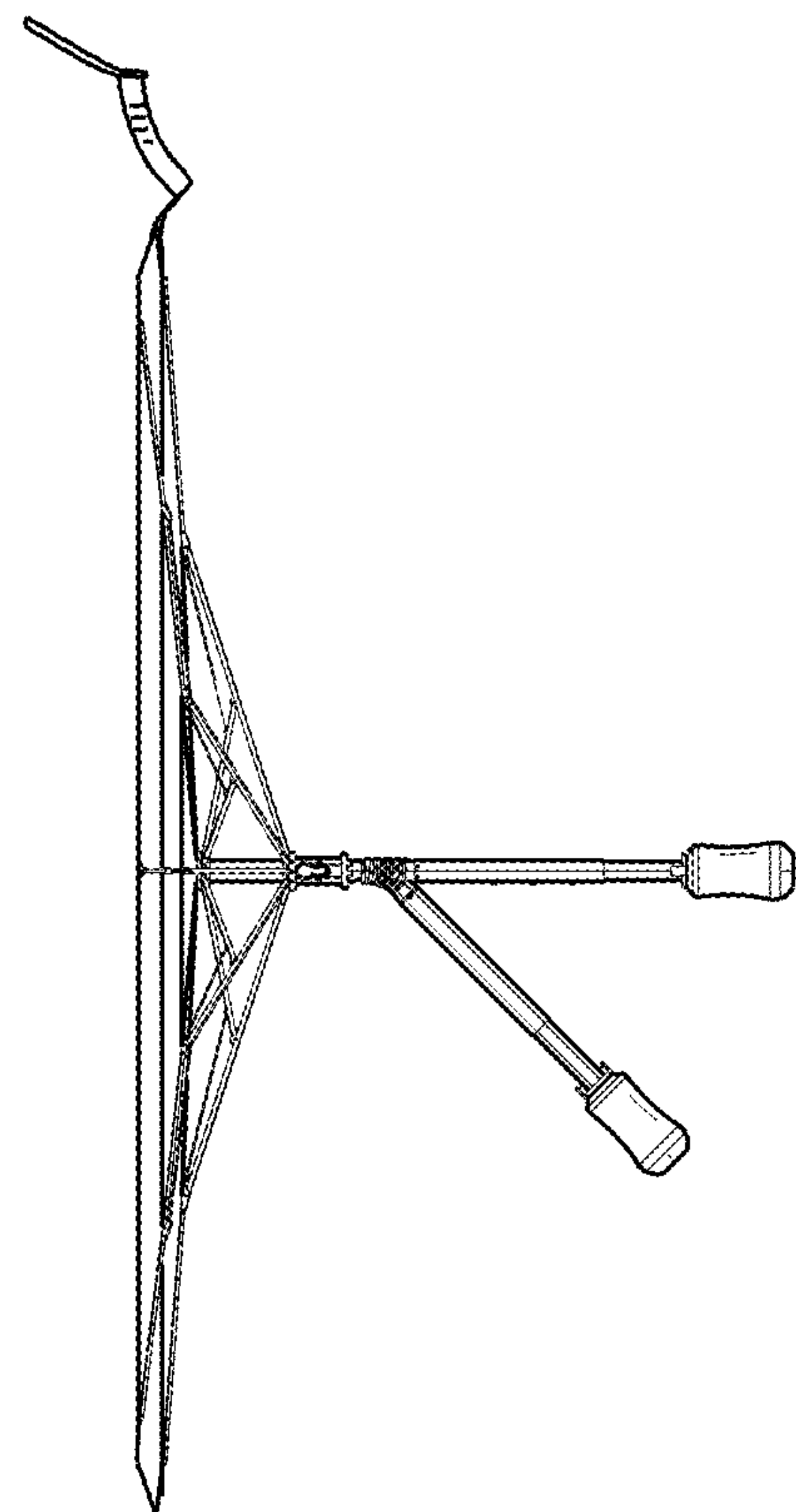
*FIG. 5*



*FIG. 6*



*FIG. 7*



*FIG. 8*