



US00D951833S

(12) **United States Design Patent** (10) **Patent No.:** **US D951,833 S**
Kaoud et al. (45) **Date of Patent:** **** May 17, 2022**

(54) **VEHICLE HOOD**
(71) Applicant: **Ford Global Technologies, LLC**,
Dearborn, MI (US)
(72) Inventors: **Ehab N. Kaoud**, Livonia, MI (US);
Sean W. Tant, Livonia, MI (US);
Jiacheng Liu, Dearborn, MI (US)
(73) Assignee: **Ford Global Technologies, LLC**,
Dearborn, MI (US)
(**) Term: **15 Years**
(21) Appl. No.: **29/762,599**
(22) Filed: **Dec. 17, 2020**
(51) **LOC (13) Cl.** **12-08**
(52) **U.S. Cl.**
USPC **D12/173**
(58) **Field of Classification Search**
USPC ... D12/1, 14, 82, 86, 87, 89, 90, 91, 92, 93,
D12/96, 97, 98, 99, 164, 167, 169, 170,
D12/171, 172, 173, 181, 184, 185, 190,
D12/192, 196; D21/533, 548, 552, 561
CPC B62D 25/02; B62D 25/10; B62D 25/12;
B62D 25/105; B62D 25/08; B62D
23/005; B60R 19/00
See application file for complete search history.

D823,197 S * 7/2018 Bucher D12/173
D864,807 S * 10/2019 Park D12/173
D880,382 S * 4/2020 Iazard D12/173
D886,006 S * 6/2020 Metros D12/173
D936,536 S * 11/2021 Kaoud D12/173

OTHER PUBLICATIONS

2021 F-150 Raptor, Published date unavailable [online], [retrieved on Jan. 12, 2022]. Retrieved from the Internet: <https://shop.ford.com/build/f150/#/config/Config%5B%7CFord%7CF-150%7C2021%7C1%7C1.%7C800A.W1R.PE7...SS5.CCAB.77R.RAP%5D> (Year: 2022).*

* cited by examiner

Primary Examiner — Cary M Robinson

Assistant Examiner — Adam C Mager

(74) *Attorney, Agent, or Firm* — Michael Spenner

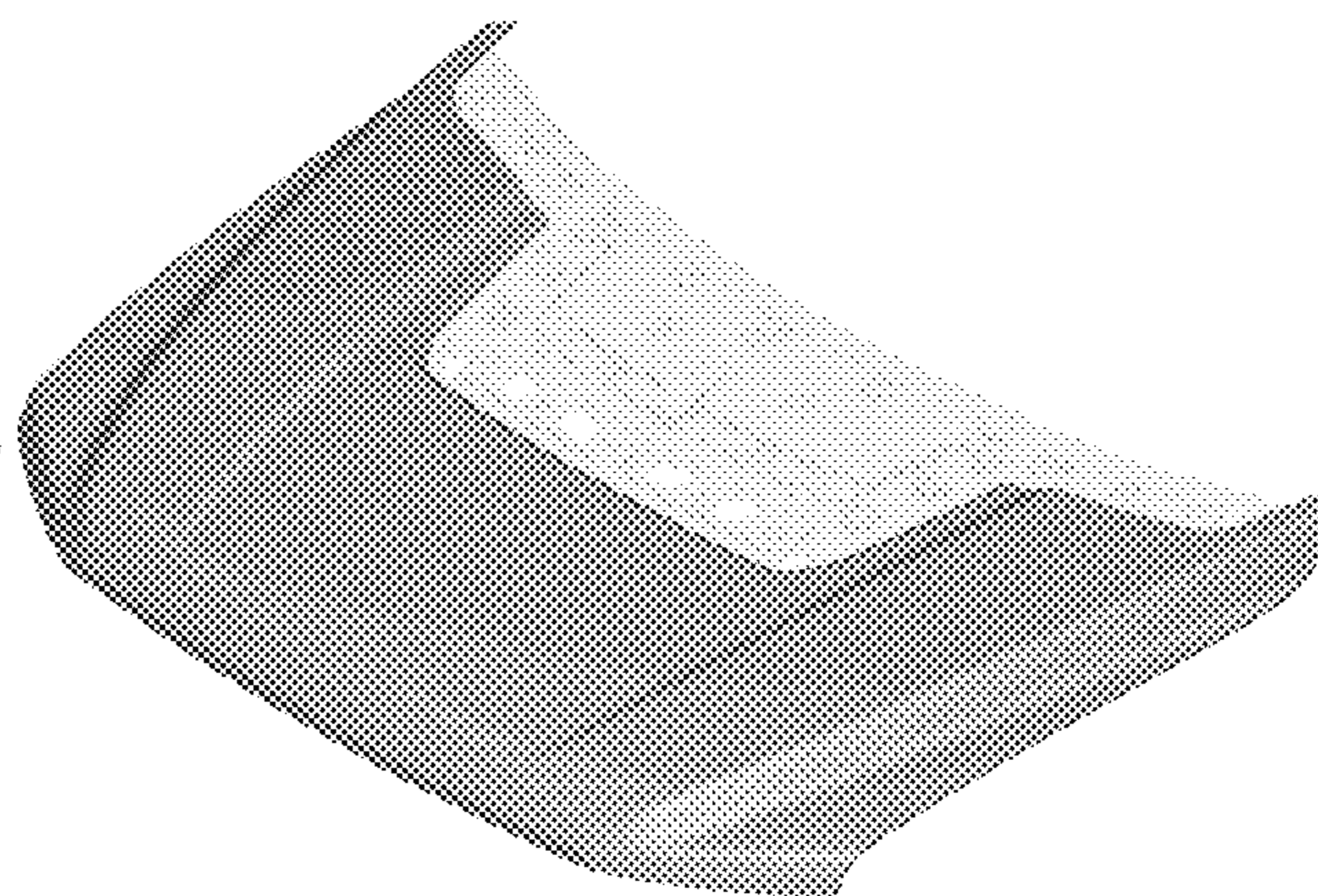
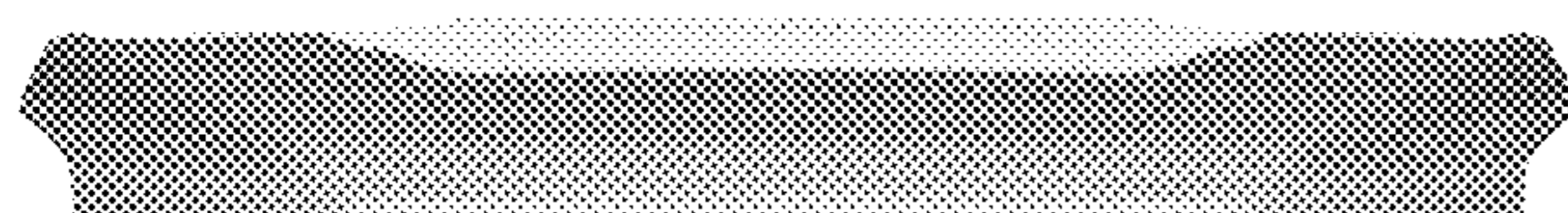
(57) **CLAIM**

The ornamental design for a vehicle hood, as shown and described.

DESCRIPTION

FIG. 1 is a front elevational view of a vehicle hood, showing our new design;
FIG. 2 is a left side elevational view thereof;
FIG. 3 is a right side elevational view thereof;
FIG. 4 is a top plan view thereof;
FIG. 5 is a bottom plan view thereof;
FIG. 6 is a top, front and left side perspective view thereof; and,
FIG. 7 is a top, rear and left side perspective view thereof. The claimed design is indicated by the relatively dark portions in the figures. The de-emphasized and relatively light portions form no part of the claimed design.

1 Claim, 7 Drawing Sheets



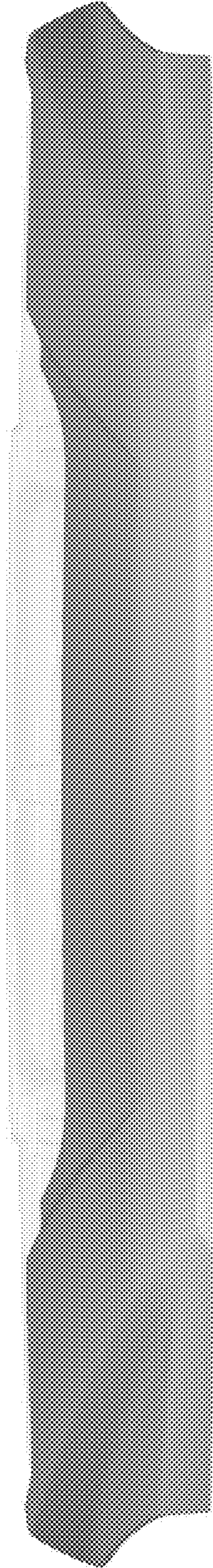


Fig. 1

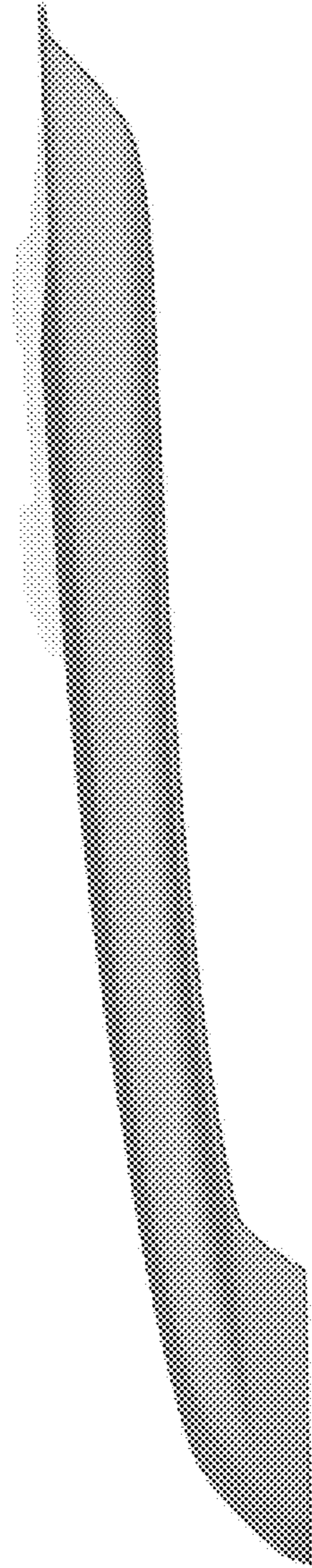


Fig. 2

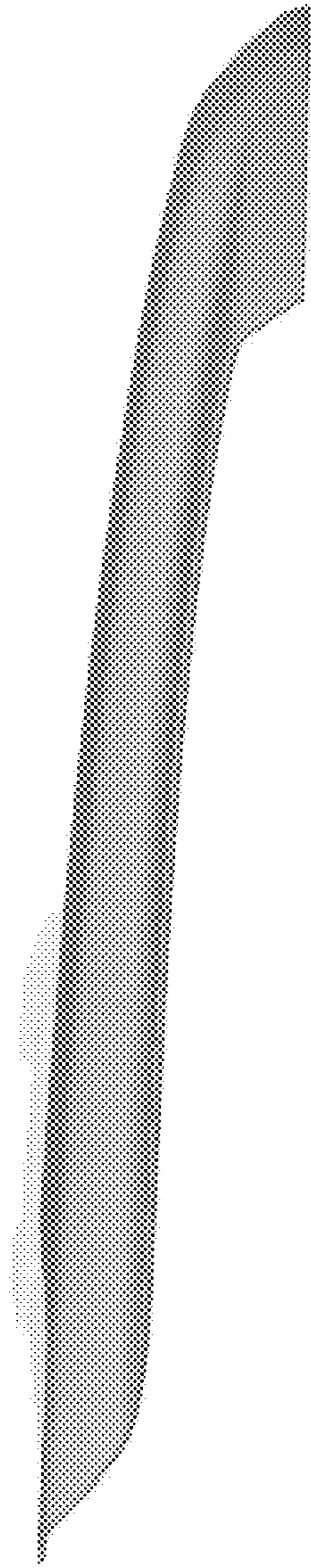


Fig. 3

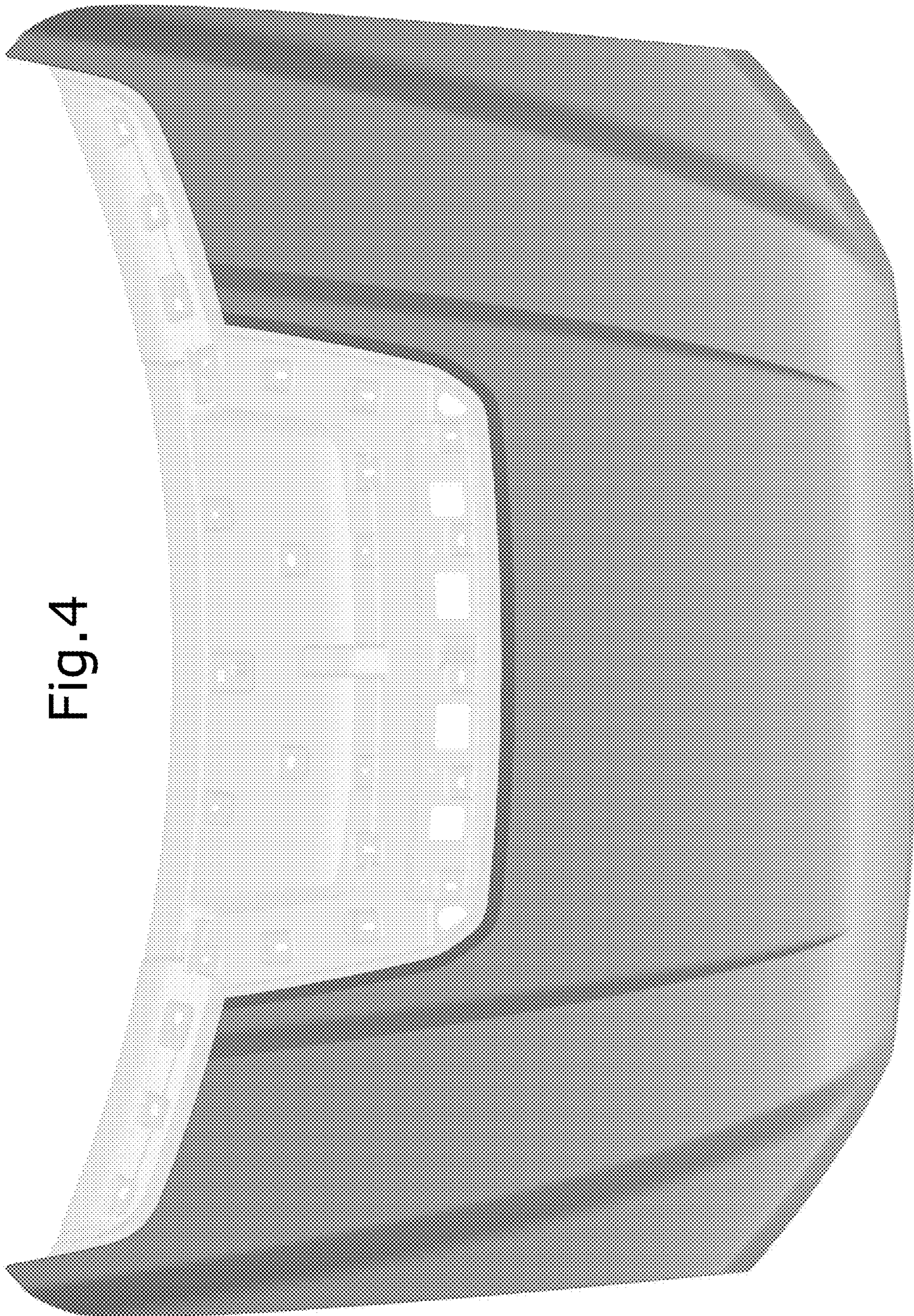


Fig. 4

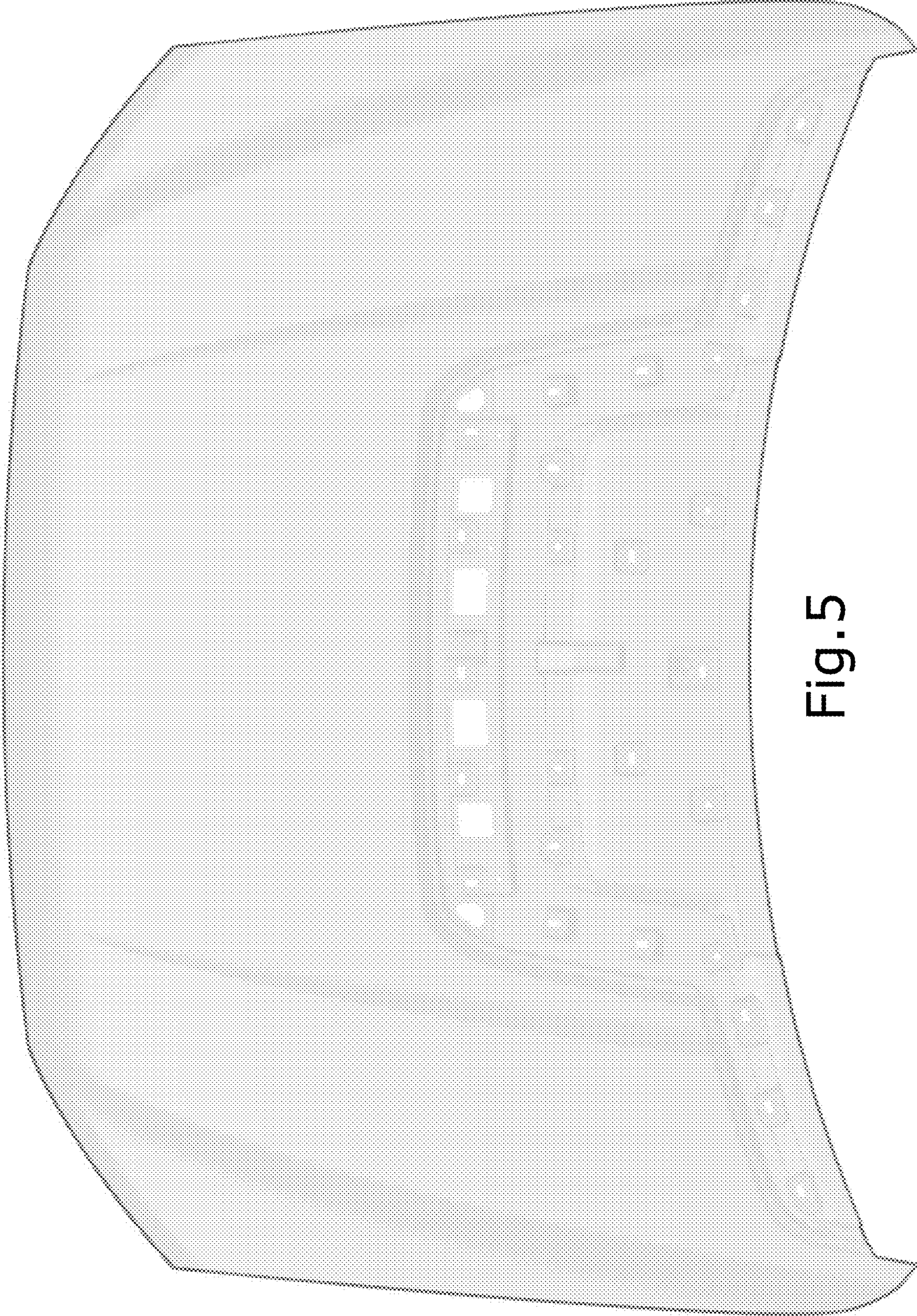


Fig. 5

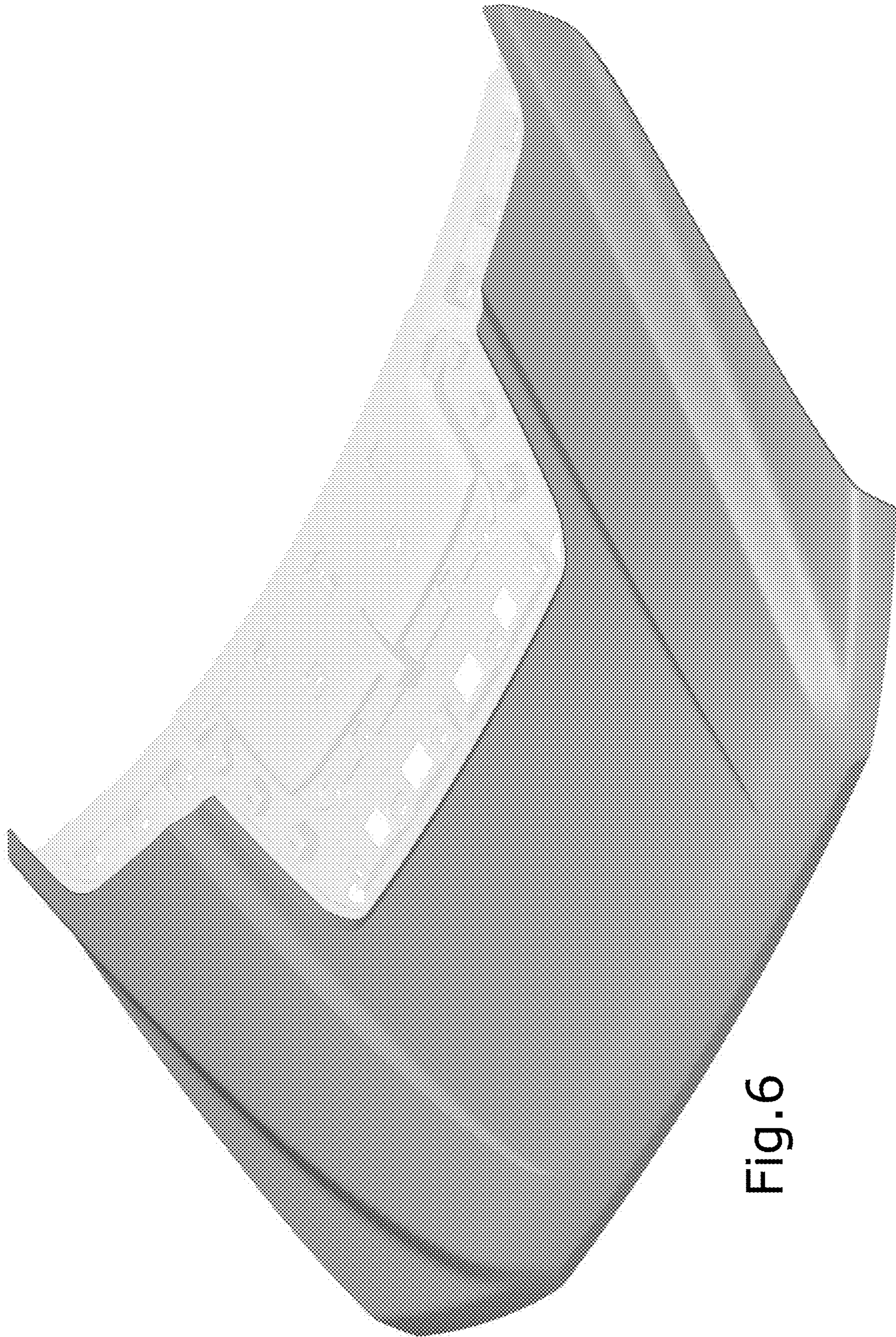


Fig. 6

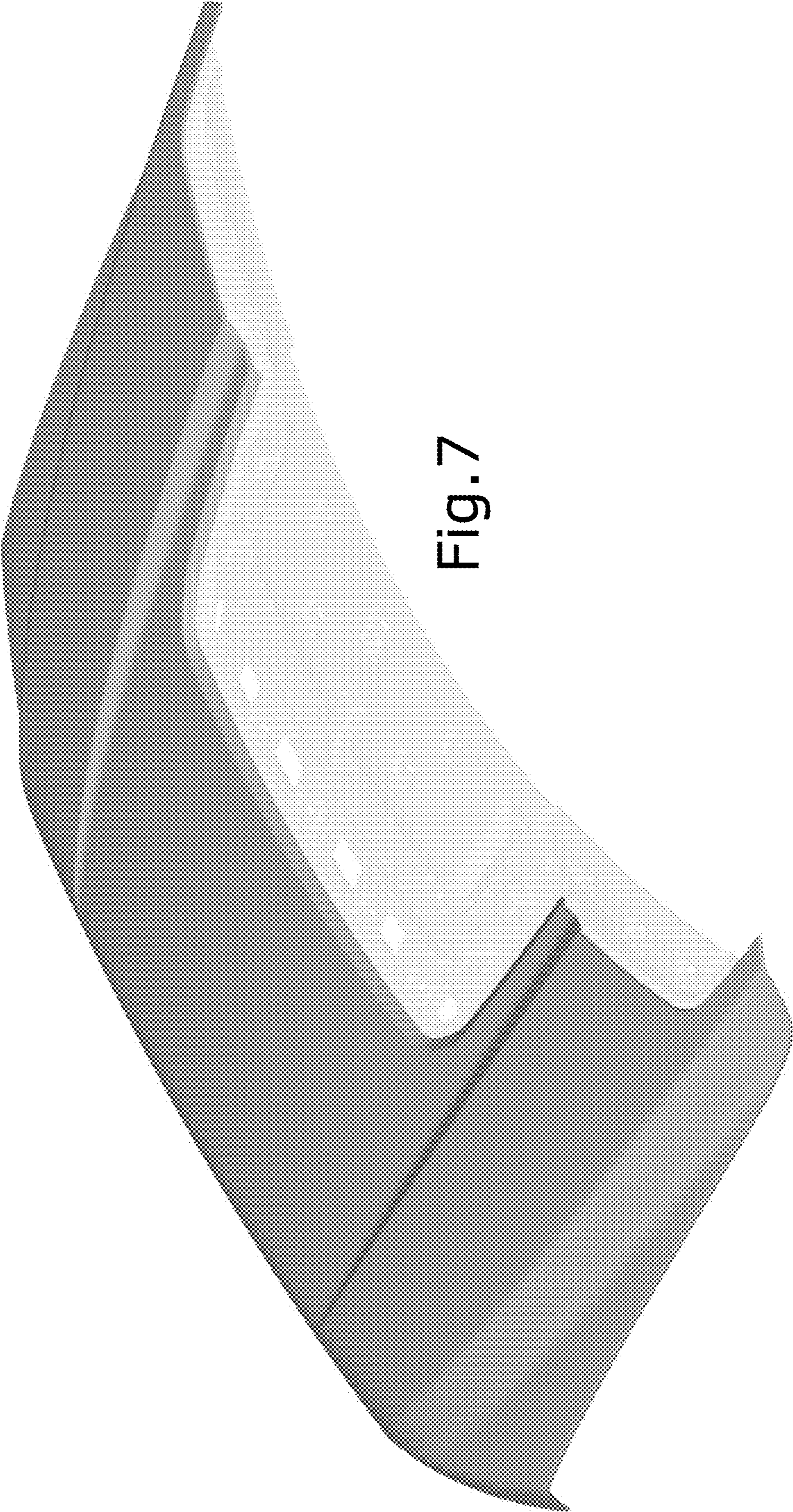


Fig. 7