



US00D951832S

(12) **United States Design Patent** (10) **Patent No.:** **US D951,832 S**
Nelson (45) **Date of Patent:** **** May 17, 2022**

(54) **BRUSH GUARD**

(71) Applicant: **Michael E. Nelson**, Jonesboro, AR
(US)

(72) Inventor: **Michael E. Nelson**, Jonesboro, AR
(US)

(**) Term: **15 Years**

(21) Appl. No.: **29/733,728**

(22) Filed: **May 6, 2020**

(51) **LOC (13) Cl.** **12-16**

(52) **U.S. Cl.**
USPC **D12/171**

(58) **Field of Classification Search**
USPC D12/86, 90, 91, 92, 163, 164, 169, 171,
D12/196, 216

CPC B60R 19/02; B60R 19/12; B60R 19/18;
B60R 19/24; B60R 19/52; B60R 19/56;
B60R 2019/007; B62D 25/0845

See application file for complete search history.

(56) **References Cited**

U.S. PATENT DOCUMENTS

D280,398 S	*	9/1985	Milton	D12/171
D307,256 S	*	4/1990	Holland	D12/171
D333,457 S	*	2/1993	La Foe	D12/171
D361,316 S	*	8/1995	Orth, Sr	D12/171
D383,719 S	*	9/1997	Thorne	D12/171
D384,625 S	*	10/1997	Thorne	D12/171

D388,042 S	*	12/1997	Thorne	D12/171
D396,678 S	*	8/1998	Shklyaver	D12/171
D410,879 S	*	6/1999	Orth, Sr.	D12/171
D416,219 S	*	11/1999	Waagenaar	D12/171
D422,952 S	*	4/2000	Waagenaar	D12/171
D422,953 S	*	4/2000	Waagenaar	D12/171
D440,530 S	*	4/2001	Geisler	D12/171
D483,708 S	*	12/2003	Roehmer	D12/171
D523,383 S	*	6/2006	Fox	D12/171
D528,481 S	*	9/2006	Taveras	D12/171
D572,180 S	*	7/2008	Storer	D12/171
D606,913 S	*	12/2009	Robertson	D12/171

* cited by examiner

Primary Examiner — Darlington Ly

(74) *Attorney, Agent, or Firm* — Schrantz Law Firm,
PLLC; Stephen D. Schrantz

(57) **CLAIM**

The ornamental design for a brush guard, as shown and described.

DESCRIPTION

FIG. 1 is a front perspective view of brush guard embodying my new design;

FIG. 2 is a rear perspective view thereof;

FIG. 3 is a front elevation view thereof;

FIG. 4 is a rear elevation view thereof;

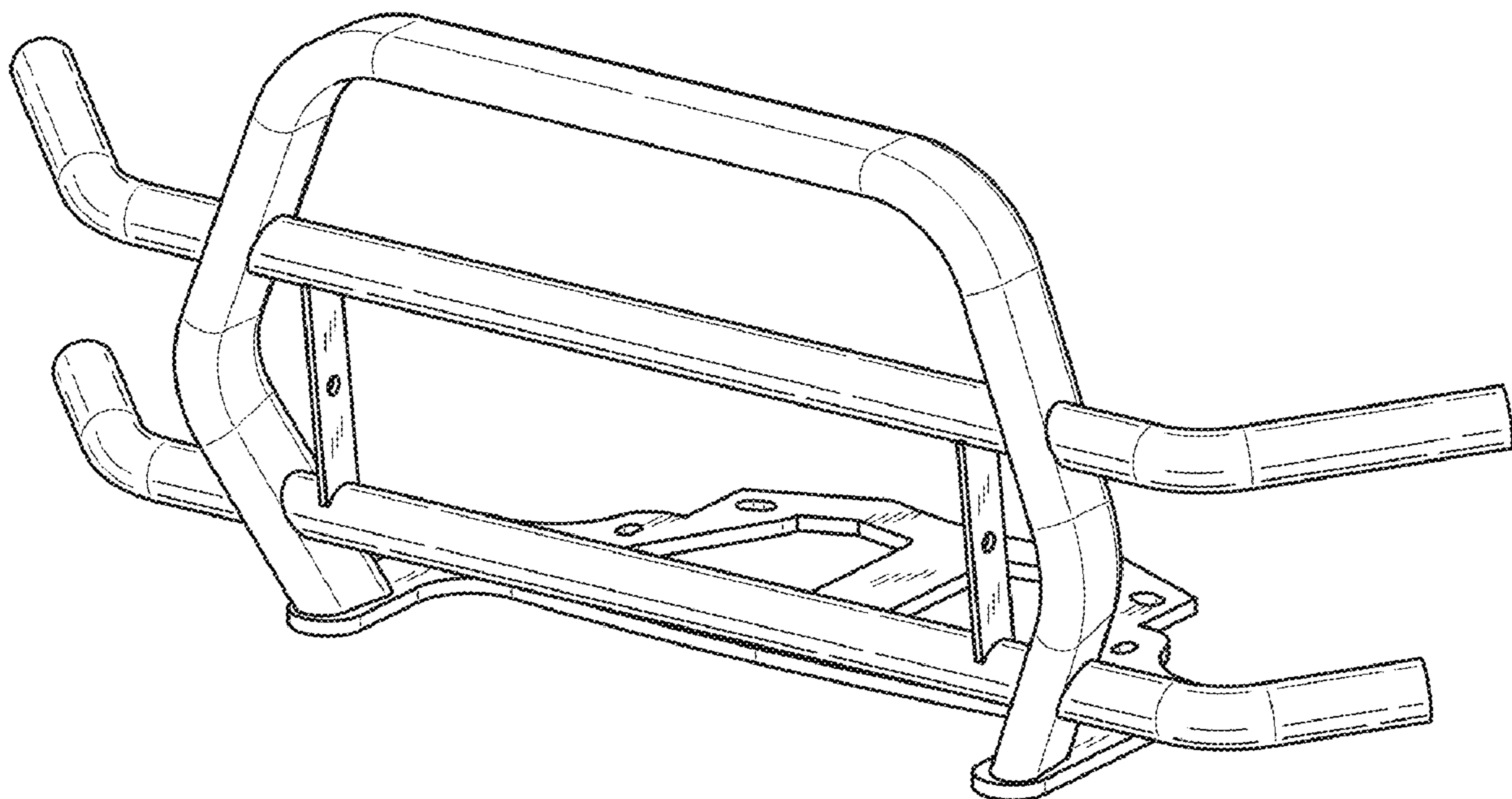
FIG. 5 is a top plan view thereof;

FIG. 6 is a bottom plan view thereof;

FIG. 7 is a left side elevation view thereof; and,

FIG. 8 is a right side elevation view thereof.

1 Claim, 4 Drawing Sheets



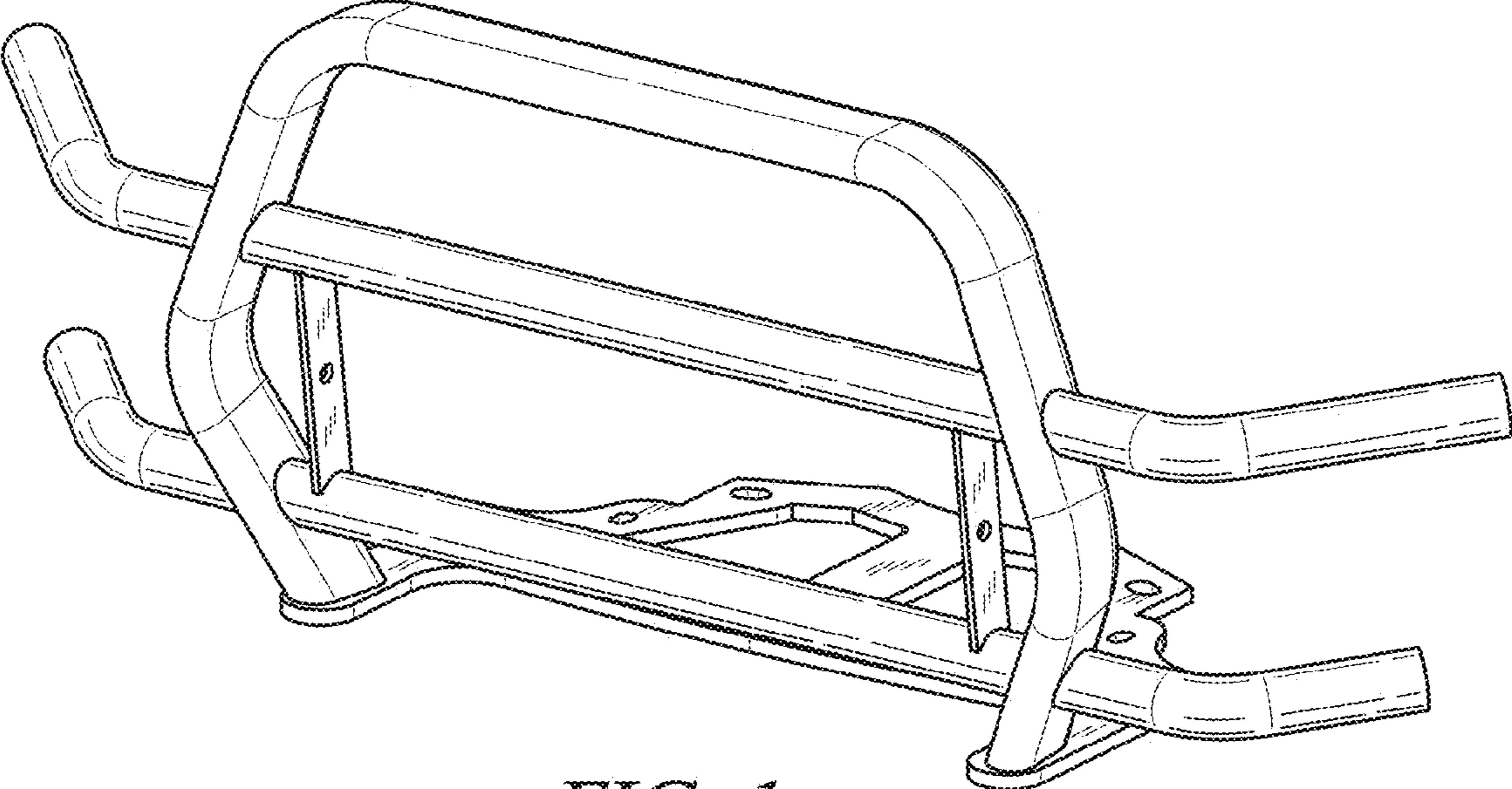


FIG. 1

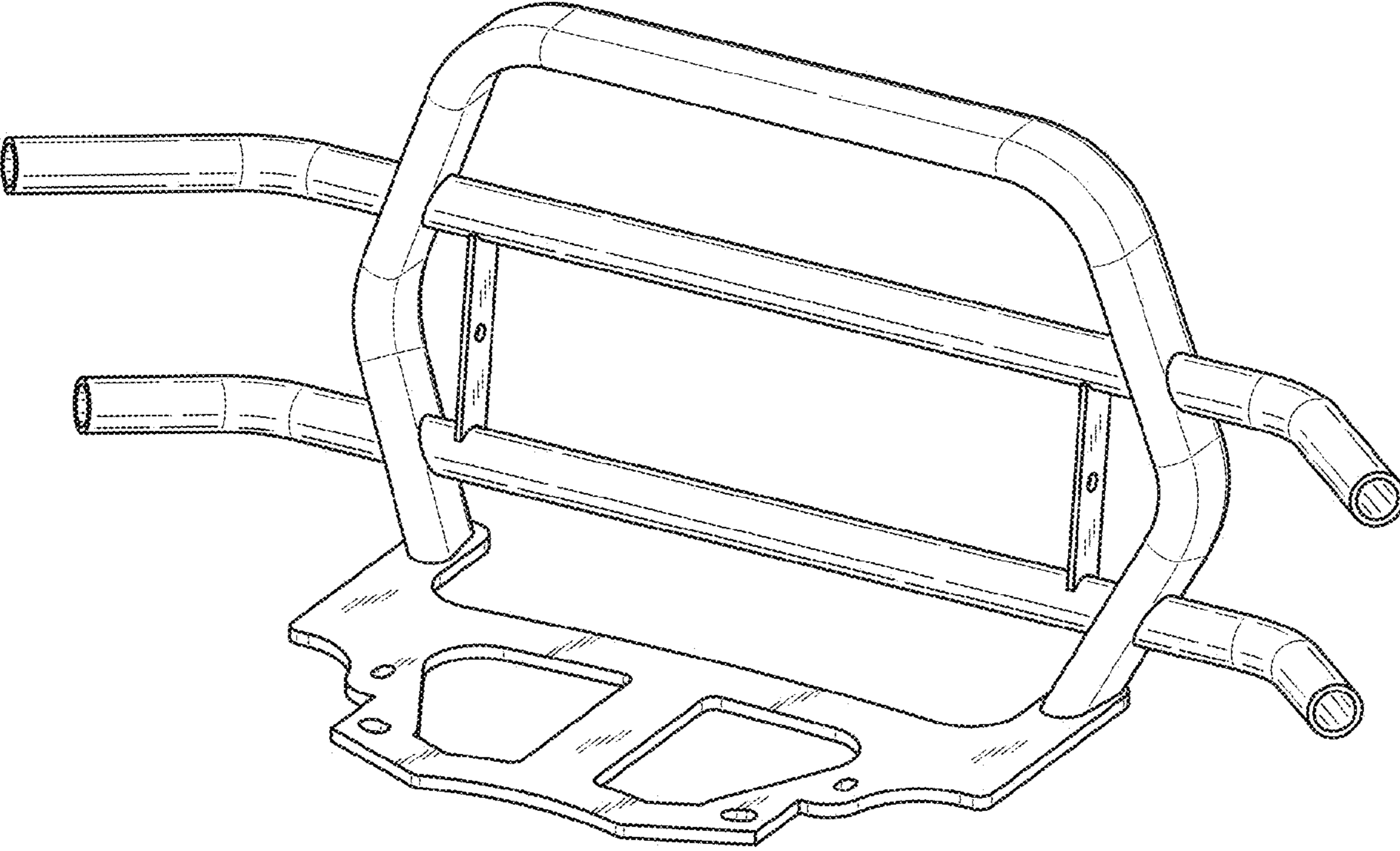


FIG. 2

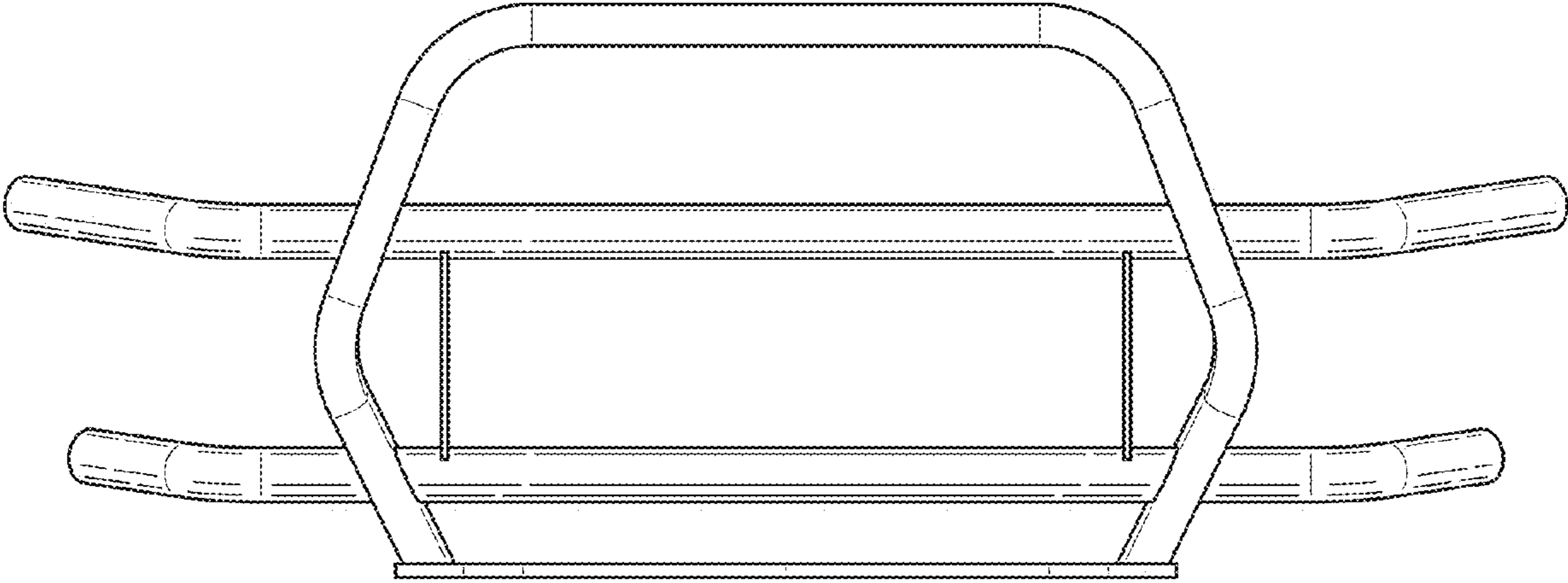


FIG. 3

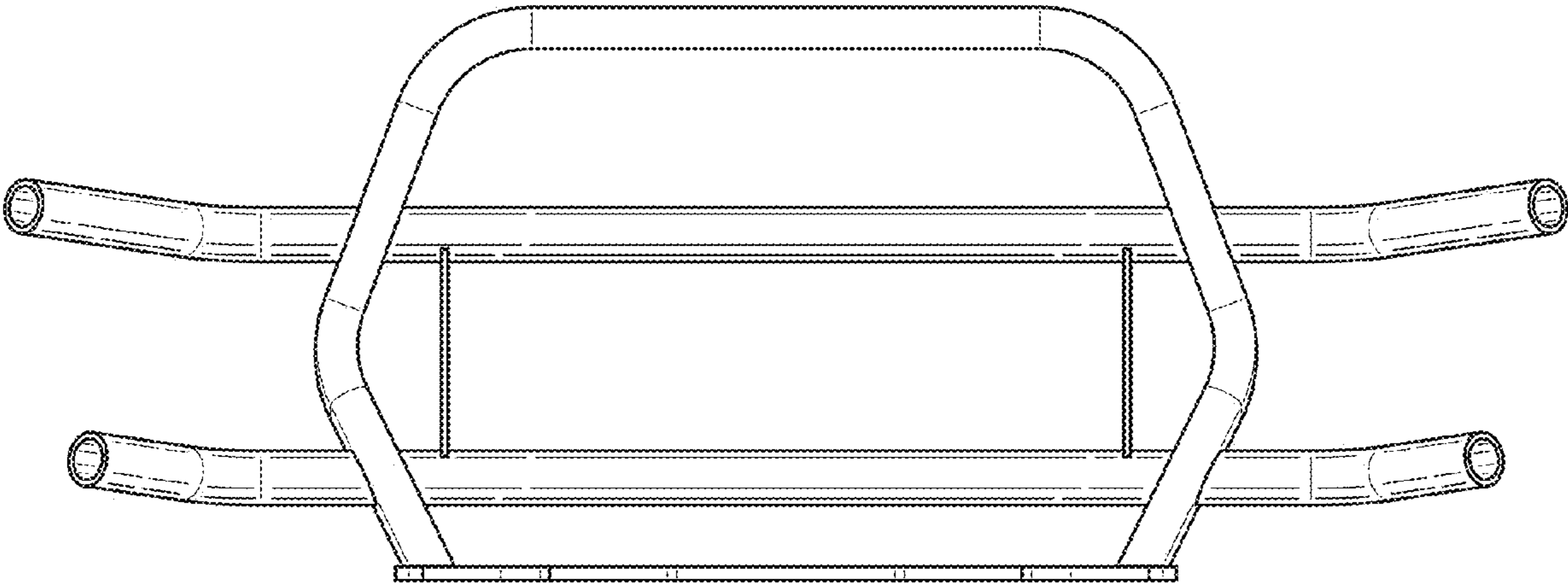


FIG. 4

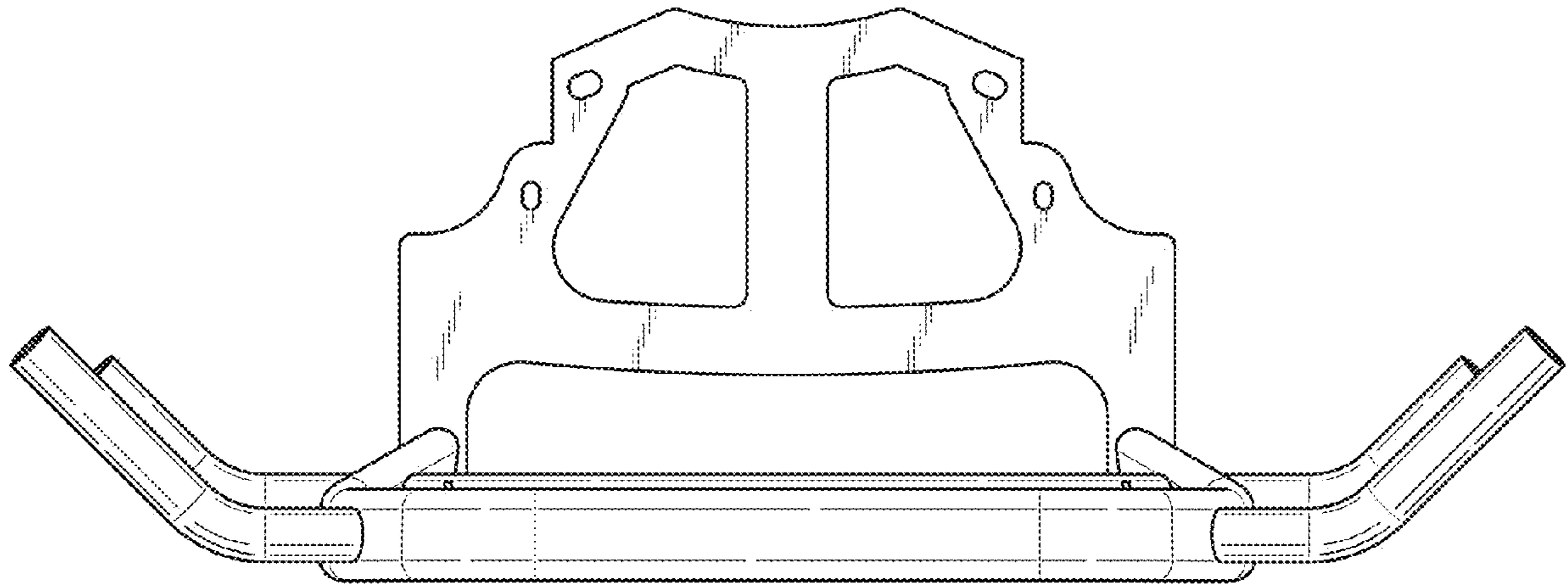


FIG. 5

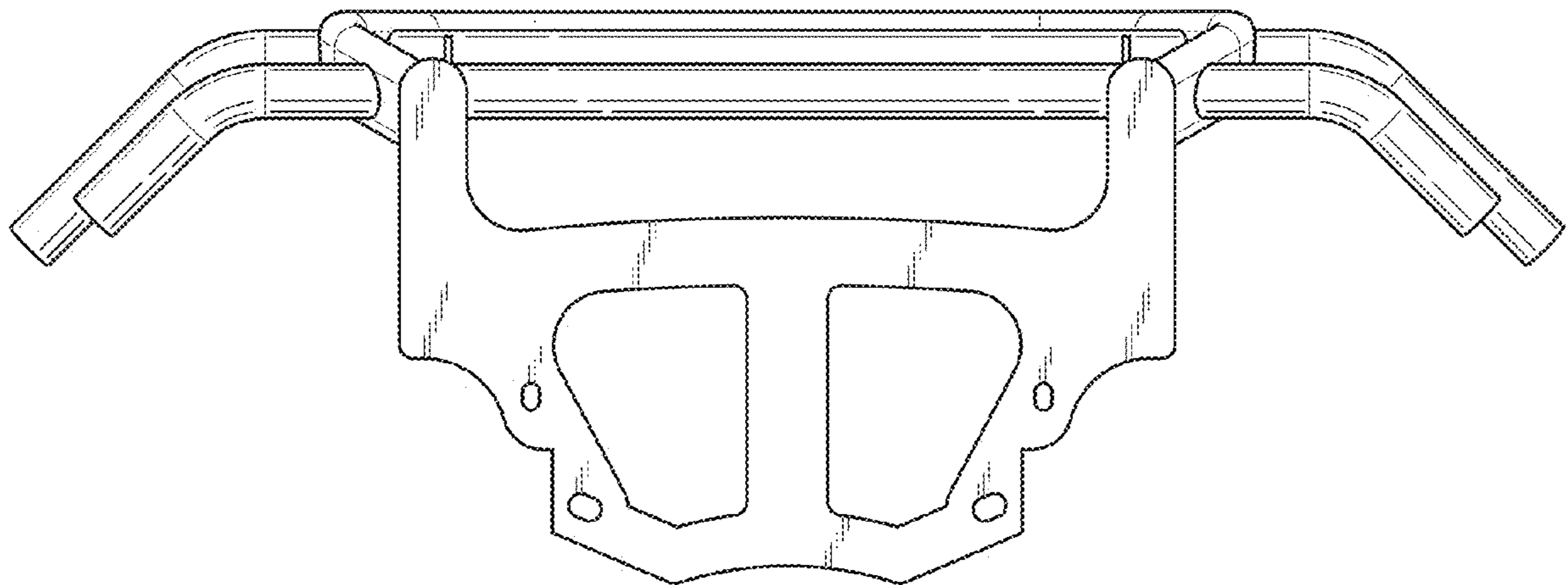


FIG. 6

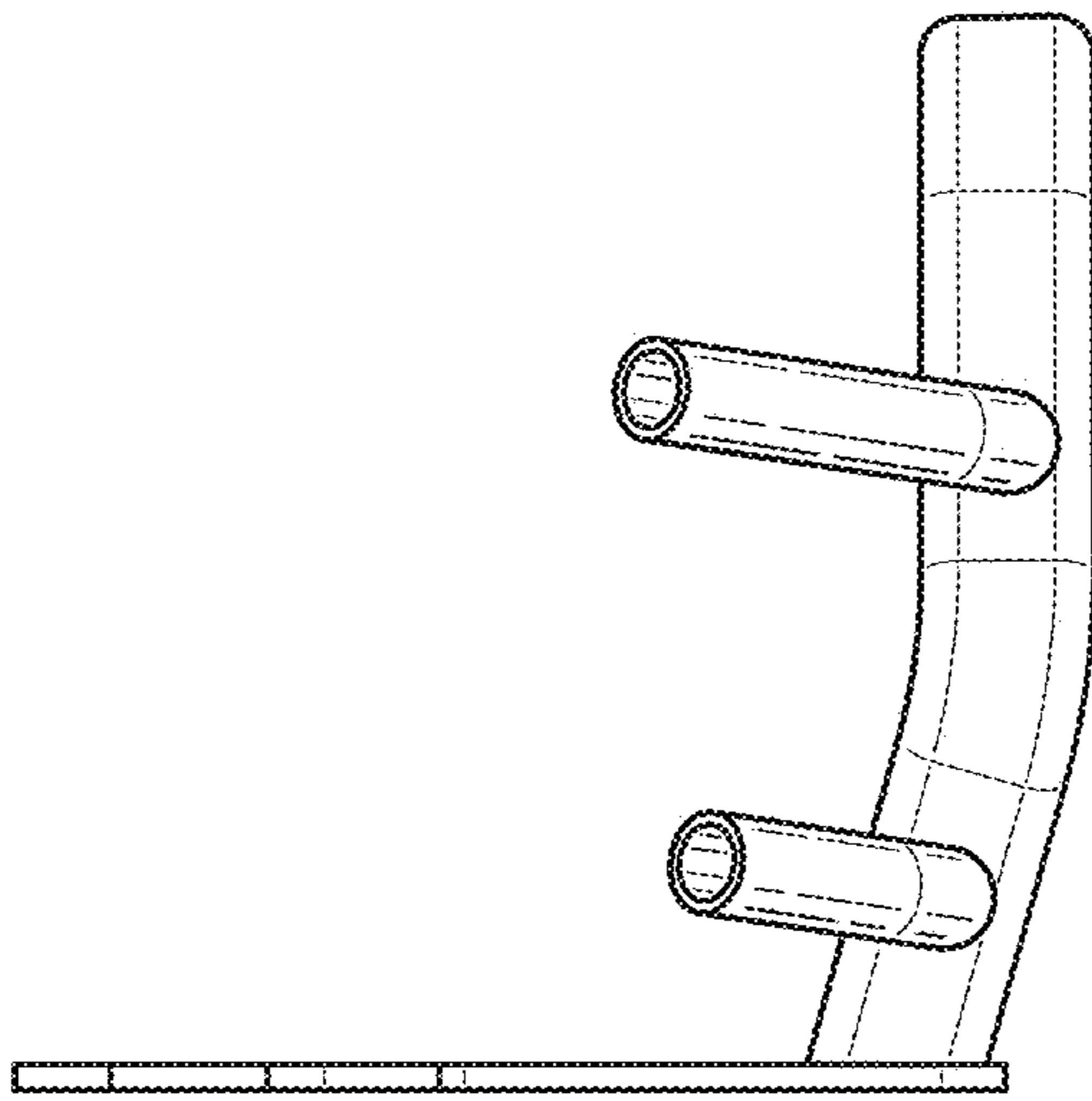


FIG. 7

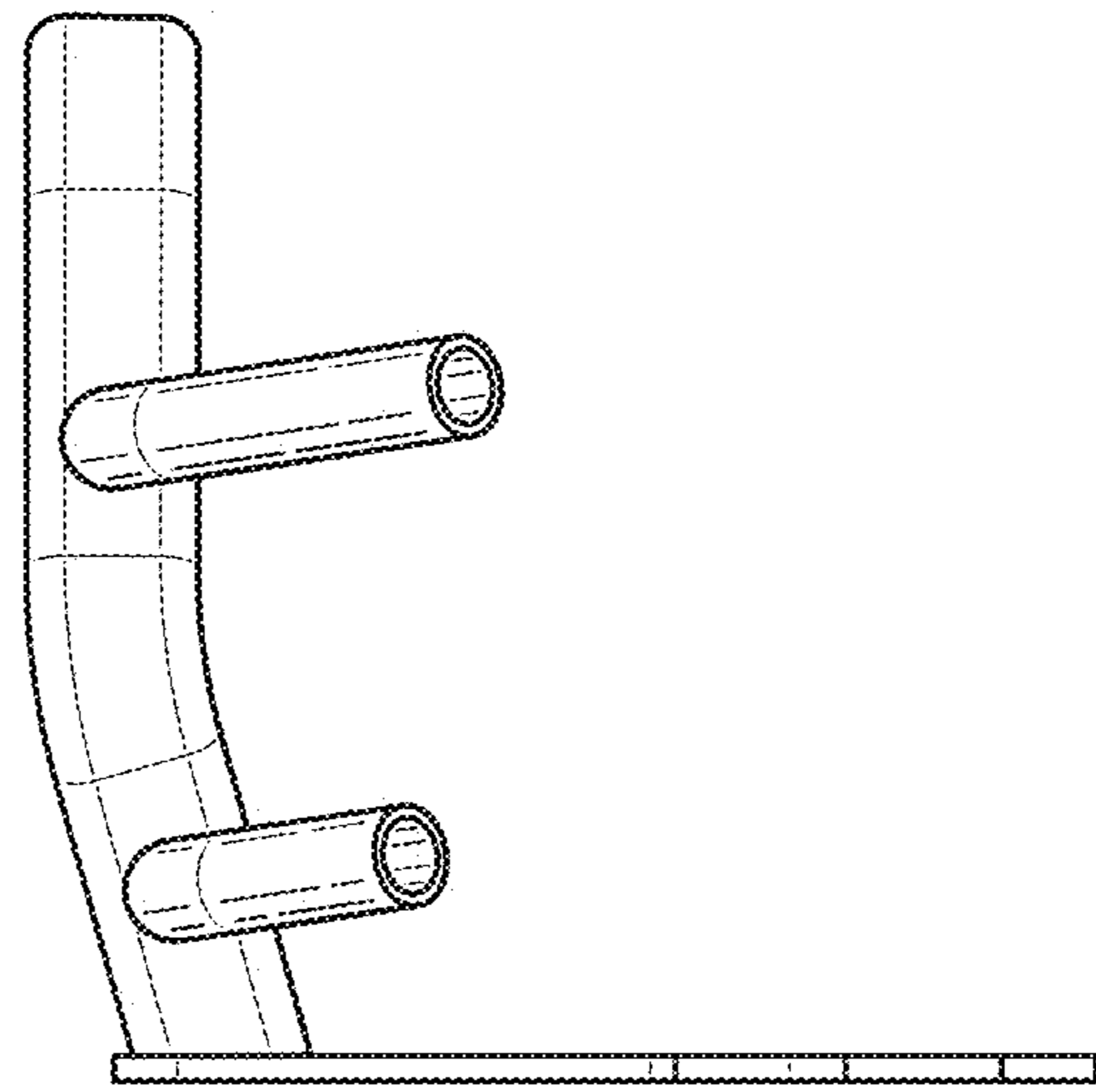


FIG. 8