



US00D951828S

(12) **United States Design Patent** (10) **Patent No.:** **US D951,828 S**
Kaoud et al. (45) **Date of Patent:** **** May 17, 2022**

(54) **VEHICLE FRONT LOWER GRILLE**

(71) Applicant: **Ford Global Technologies, LLC**,
Dearborn, MI (US)

(72) Inventors: **Ehab N. Kaoud**, Livonia, MI (US);
Sean W. Tant, Livonia, MI (US);
Jiacheng Liu, Dearborn, MI (US)

(73) Assignee: **Ford Global Technologies, LLC**,
Dearborn, MI (US)

(**) Term: **15 Years**

(21) Appl. No.: **29/762,584**

(22) Filed: **Dec. 17, 2020**

(51) **LOC (13) Cl.** **12-16**

(52) **U.S. Cl.**
USPC **D12/163**

(58) **Field of Classification Search**
USPC D12/82, 85, 86, 87, 88, 89, 90, 91, 92,
D12/93, 96, 97, 98, 99, 163, 164, 165,
D12/166, 167, 169, 170, 171, 172, 173,
D12/181, 184, 185, 190, 196, 216, 223,
D12/400; D21/533, 548, 552, 561;
D15/31

CPC B60R 19/00; B60R 19/02; B60R 19/04;
B60R 19/18; B60R 19/24; B60R 19/26;
B60R 19/52; B60R 19/56; B60R
2019/525; B60R 2019/527; B60K 11/08;
B60K 11/085; B62D 25/08; F01P 7/10

See application file for complete search history.

(56) **References Cited**

U.S. PATENT DOCUMENTS

D546,247 S * 7/2007 Abbett D12/163
D551,145 S * 9/2007 Canitano D12/196

D600,602 S * 9/2009 Endoh D12/169
D635,067 S * 3/2011 Kozai D12/169
D710,762 S * 8/2014 Mays D12/92
D769,159 S 10/2016 Platto et al.
D853,898 S * 7/2019 Bucher D12/163
D879,678 S * 3/2020 Tonello D12/163
D929,273 S * 8/2021 Piaskowski D12/163

* cited by examiner

Primary Examiner — Cary M Robinson

Assistant Examiner — Adam C Mager

(74) *Attorney, Agent, or Firm* — Michael Spenner

(57) **CLAIM**

The ornamental design for a vehicle front lower grille, as shown and described.

DESCRIPTION

FIG. 1 is a front elevational view of a vehicle front lower grille, showing our new design;

FIG. 2 is a left side elevational view thereof;

FIG. 3 is a right side elevational view thereof;

FIG. 4 is a top plan view thereof;

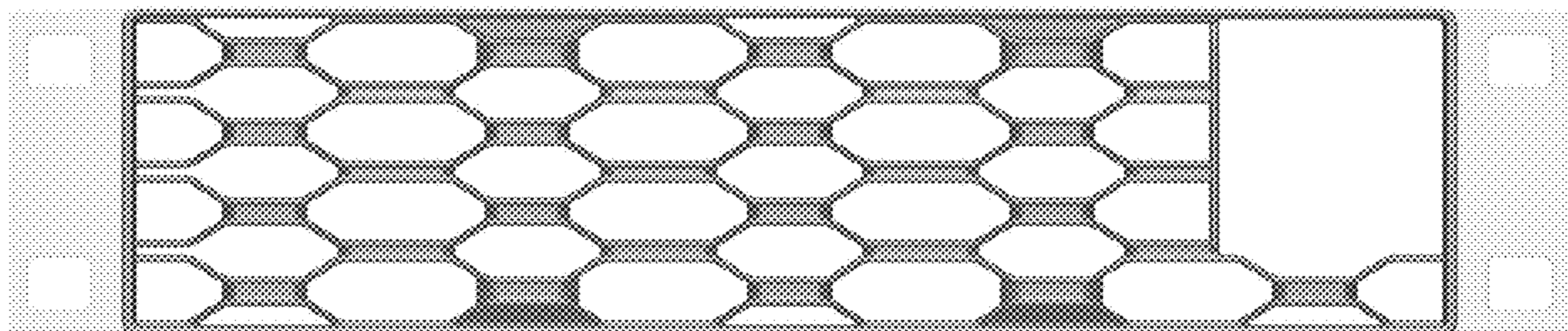
FIG. 5 is a bottom plan view thereof;

FIG. 6 is a top, front and left side perspective view thereof; and,

FIG. 7 is a bottom, front and left side perspective view thereof.

The claimed design is indicated by the relatively dark portions in the figures. The de-emphasized and relatively light portions form no part of the claimed design.

1 Claim, 7 Drawing Sheets



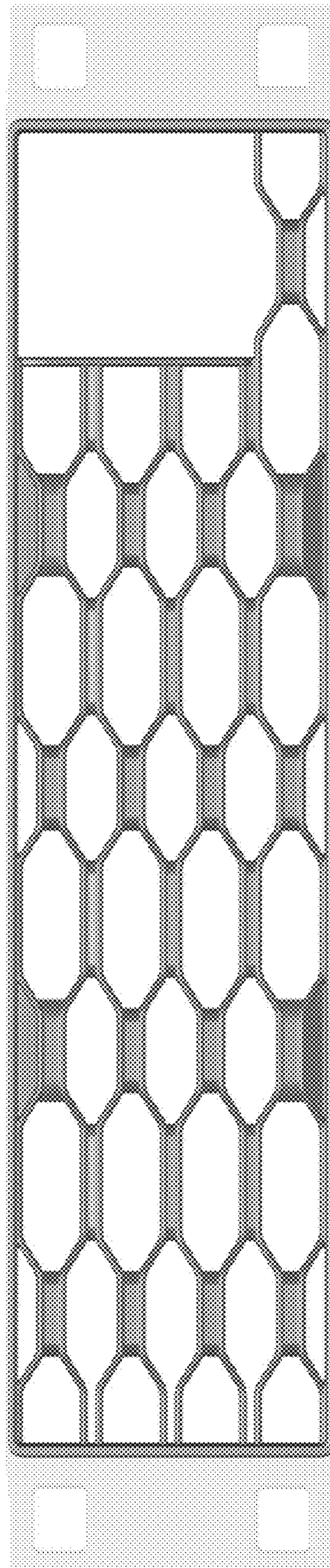


Fig.1

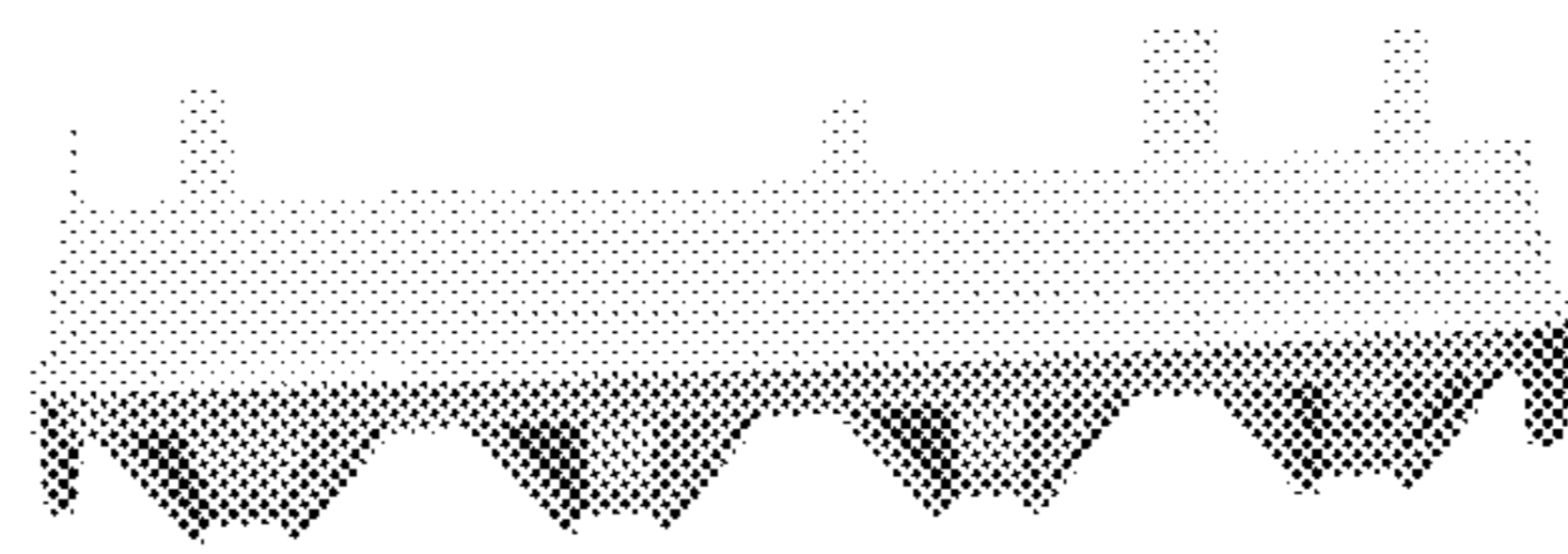


Fig. 2

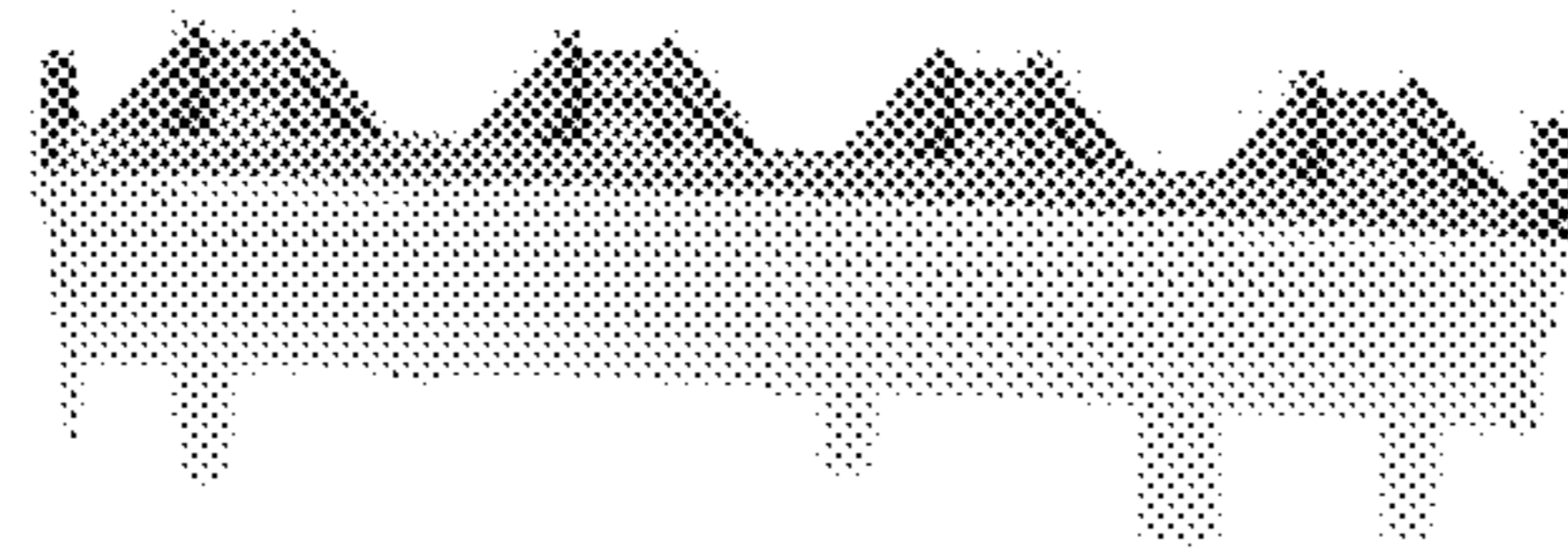


Fig. 3

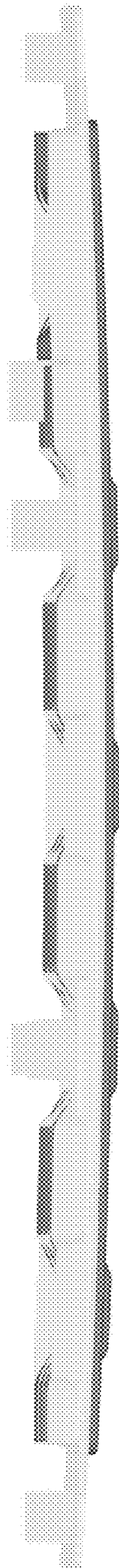


Fig.4

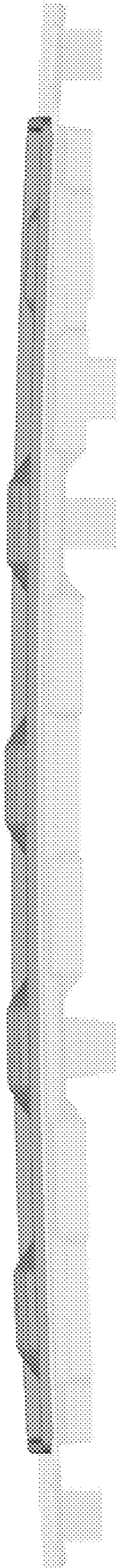


Fig. 5

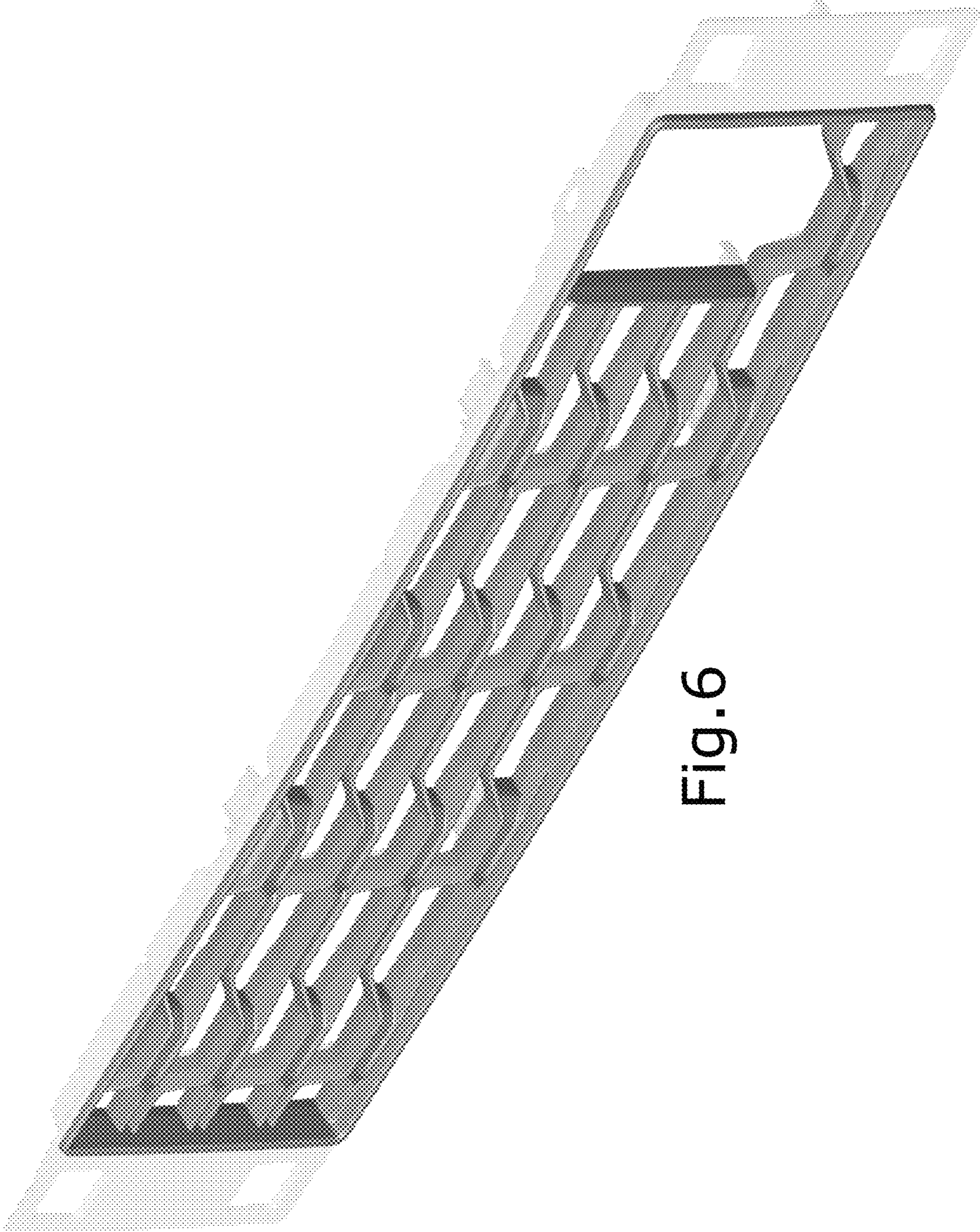


Fig. 6

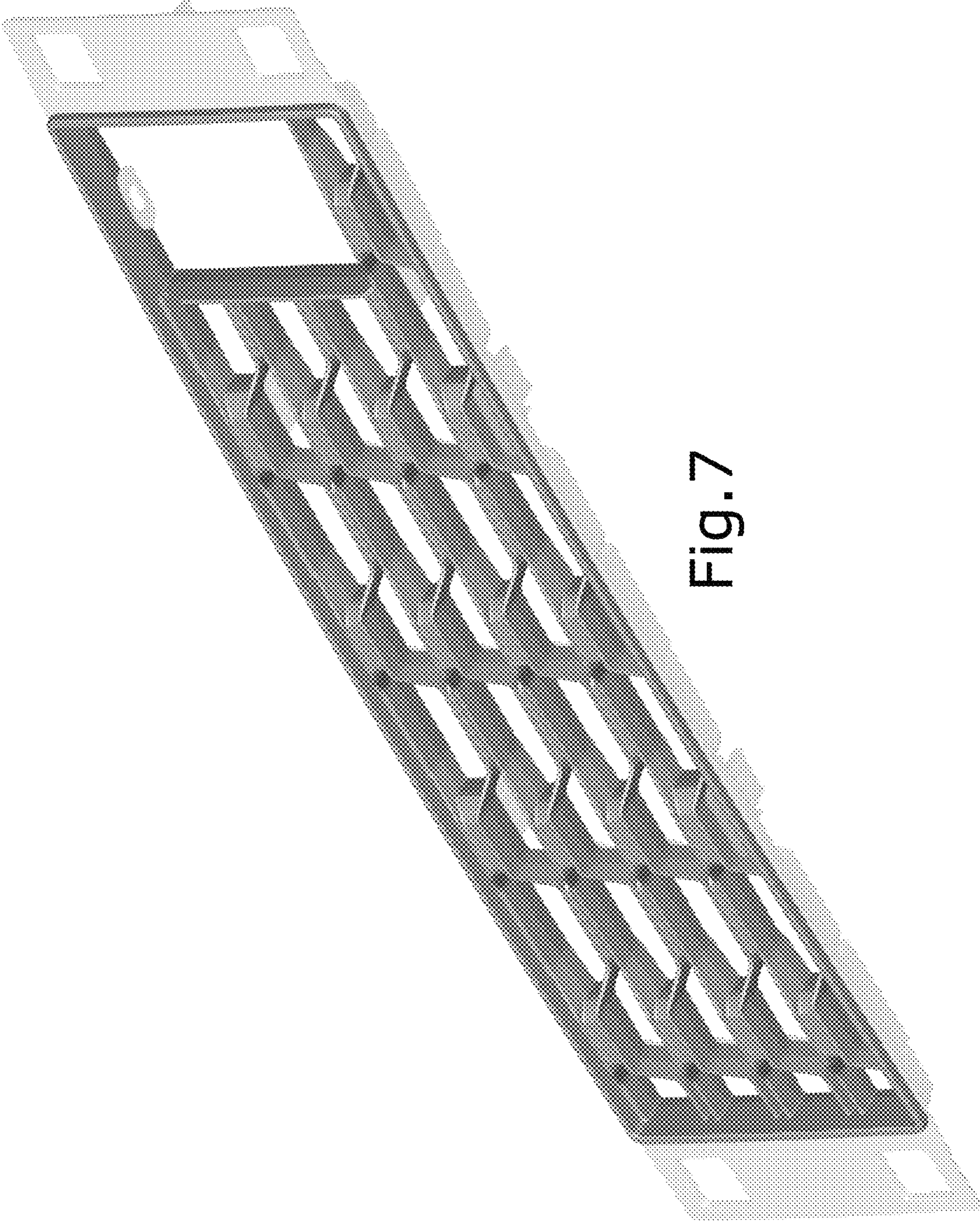


Fig. 7