



US00D951826S

(12) **United States Design Patent**
Forschner

(10) **Patent No.:** **US D951,826 S**
(45) **Date of Patent:** **** May 17, 2022**

(54) **RADIATOR GRILLE FOR A VEHICLE**

D836,031 S 12/2018 Lim
D845,834 S * 4/2019 Sarremejean D12/91
D855,496 S * 8/2019 Thogersen D12/91

(71) Applicant: **Bayerische Motoren Werke**
Aktiengesellschaft, Munich (DE)

(Continued)

(72) Inventor: **Anne Kristina Forschner, Munich**
(DE)

FOREIGN PATENT DOCUMENTS

DE 402019100944-0015 9/2019
EM 004705671-0001 2/2020

(73) Assignee: **Bayerische Motoren Werke**
Aktiengesellschaft, Munich (DE)

(Continued)

(**) Term: **15 Years**

Primary Examiner — Melody N Brown

(21) Appl. No.: **29/755,484**

(74) *Attorney, Agent, or Firm* — Crowell & Moring LLP

(22) Filed: **Oct. 21, 2020**

(57) **CLAIM**

The ornamental design for a radiator grille for a vehicle, as shown and described.

(30) **Foreign Application Priority Data**

DESCRIPTION

Apr. 29, 2020 (DE) 402020100415.4

(51) **LOC (13) Cl.** **12-16**

(52) **U.S. Cl.**
USPC **D12/163**

(58) **Field of Classification Search**
USPC D12/163, 196, 86, 90-92, 169, 190, 98,
D12/164; 293/102, 113, 115, 117, 120,
293/193.11; 296/180.1, 180.2; 180/68.1,
180/68.6
CPC B60R 19/52; B60K 11/08; B62D 25/08;
B62B 9/16

This application contains subject matter related to the following co-pending U.S. design patent applications: application Ser. No. 29/725,352, filed Feb. 25, 2020 and entitled "Radiator Grille for a Vehicle"; application Ser. No. 29/725,358, filed Feb. 25, 2020 and entitled "Vehicle, Toy, and/or Replicas Thereof"; application Ser. No. 29/755,479, filed herewith and entitled "Vehicle, Toy, and/or Replicas Thereof"; application Ser. No. 29/755,480, filed herewith and entitled "Vehicle, Toy, and/or Replicas Thereof"; and application Ser. No. 29/755,481, filed herewith and entitled "Vehicle, Toy, and/or Replicas Thereof".

See application file for complete search history.

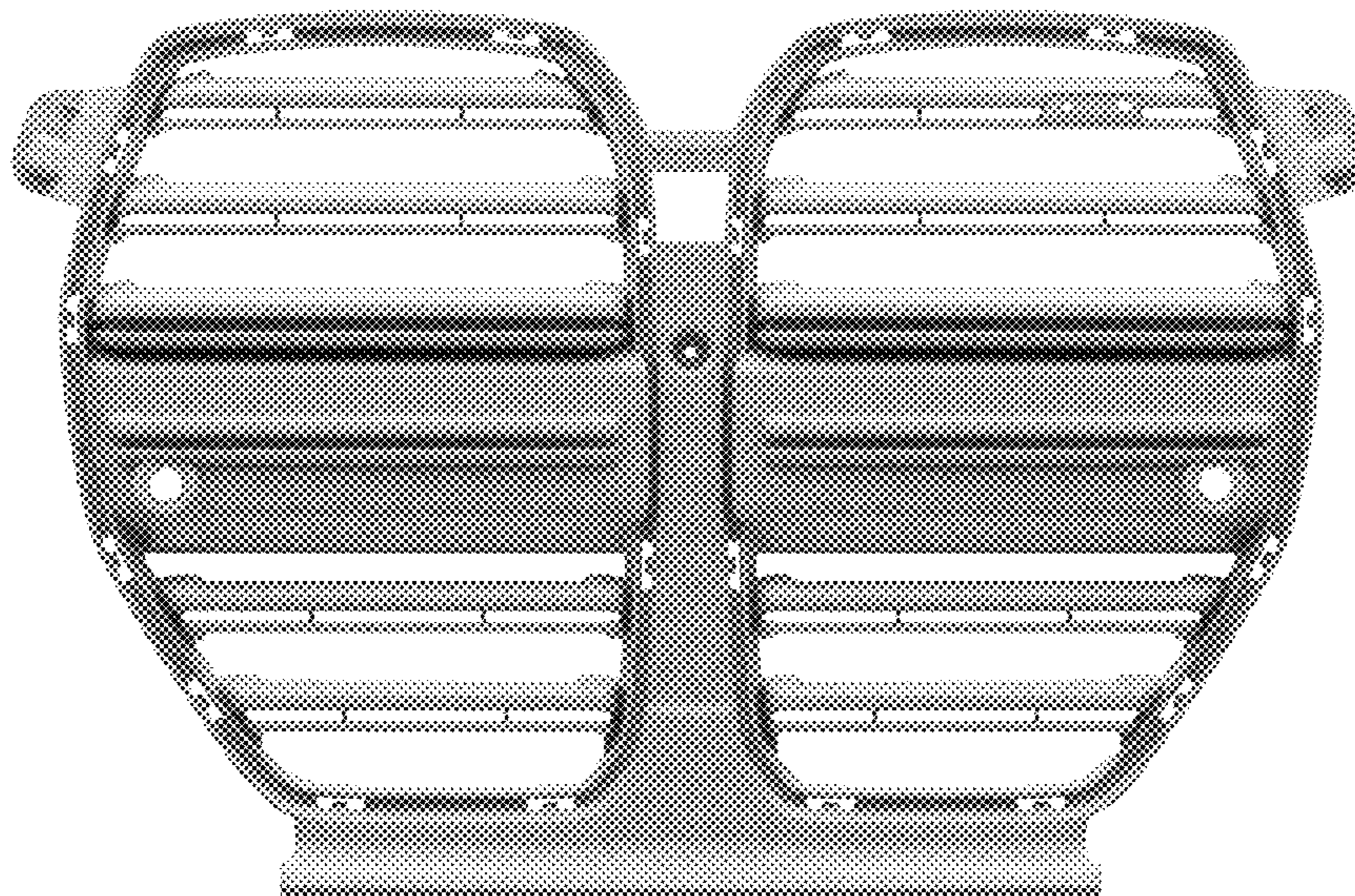
FIG. 1 is a front view of a radiator grille for a vehicle according to the design;
FIG. 2 is a right, front perspective view thereof, the left, front perspective view being a mirror image;
FIG. 3 is a left, bottom perspective view thereof, the right, bottom perspective view being a mirror image;
FIG. 4 is a right side view thereof, the left side view being a mirror image;
FIG. 5 is a top view thereof;
FIG. 6 is a bottom view thereof; and,
FIG. 7 is a rear view thereof.

(56) **References Cited**

U.S. PATENT DOCUMENTS

D818,890 S * 5/2018 Beermann D12/163
D820,737 S * 6/2018 Simm D12/163
D821,274 S * 6/2018 Simm D12/163
D823,737 S * 7/2018 Chang D12/163
D825,383 S * 8/2018 Luk D12/91
D835,546 S * 12/2018 Sarremejean D12/91

1 Claim, 7 Drawing Sheets



(56)

References Cited

U.S. PATENT DOCUMENTS

D858,371 S * 9/2019 Sarremejean D12/163
D859,227 S * 9/2019 Buckingham D12/163
D873,725 S 1/2020 Thogersen
D874,358 S * 2/2020 Kezha D12/163
D928,660 S * 8/2021 Lim D12/92
D928,661 S * 8/2021 Lim D12/92
D928,662 S * 8/2021 Lim D12/92
D939,391 S * 12/2021 Lim D12/163

FOREIGN PATENT DOCUMENTS

EM 007718267 2/2020
WO WO DM/099140 6/2018
WO WO DM/103039 10/2018
WO WO DM/207240 8/2020

* cited by examiner

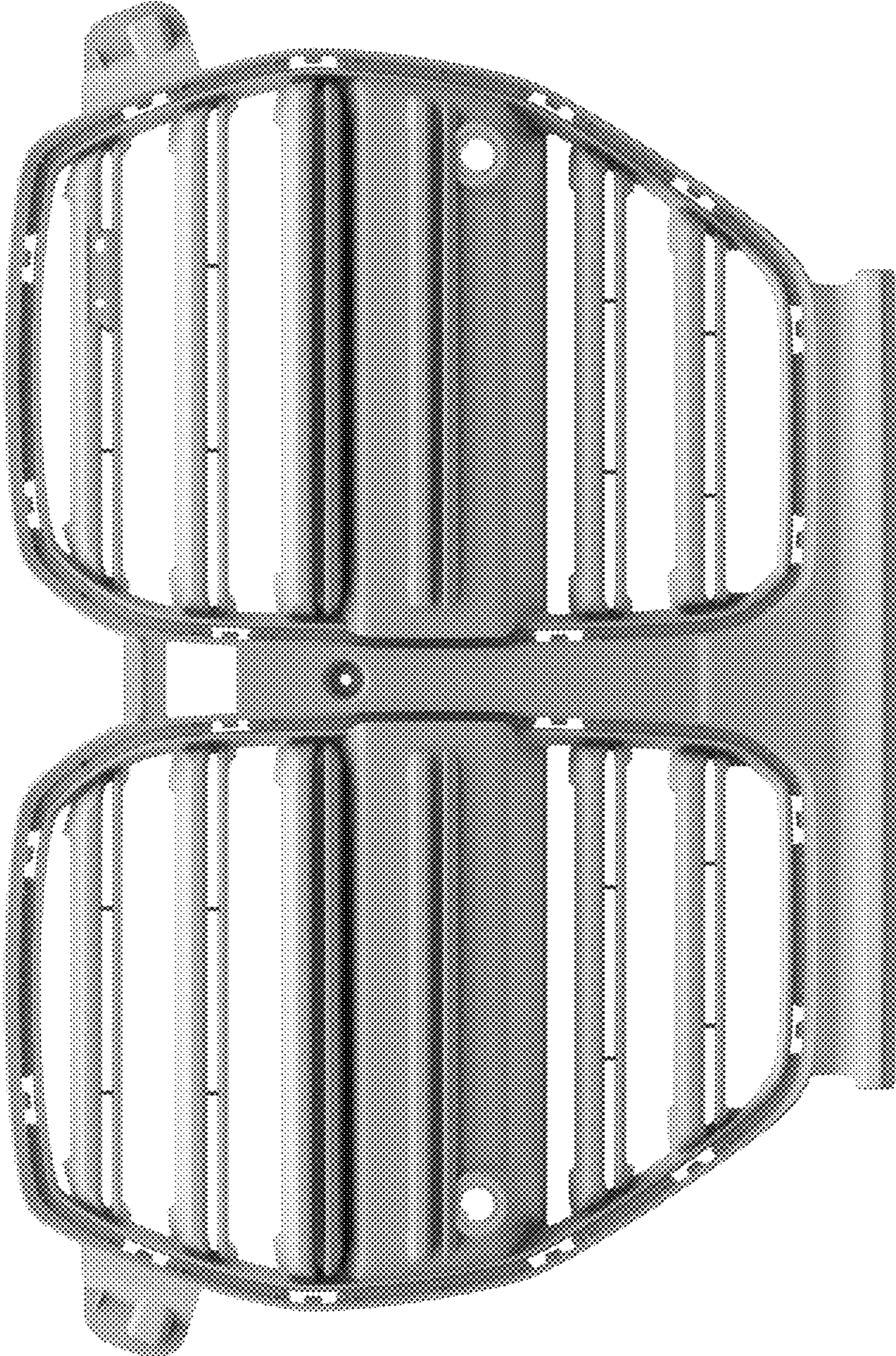


Fig. 1

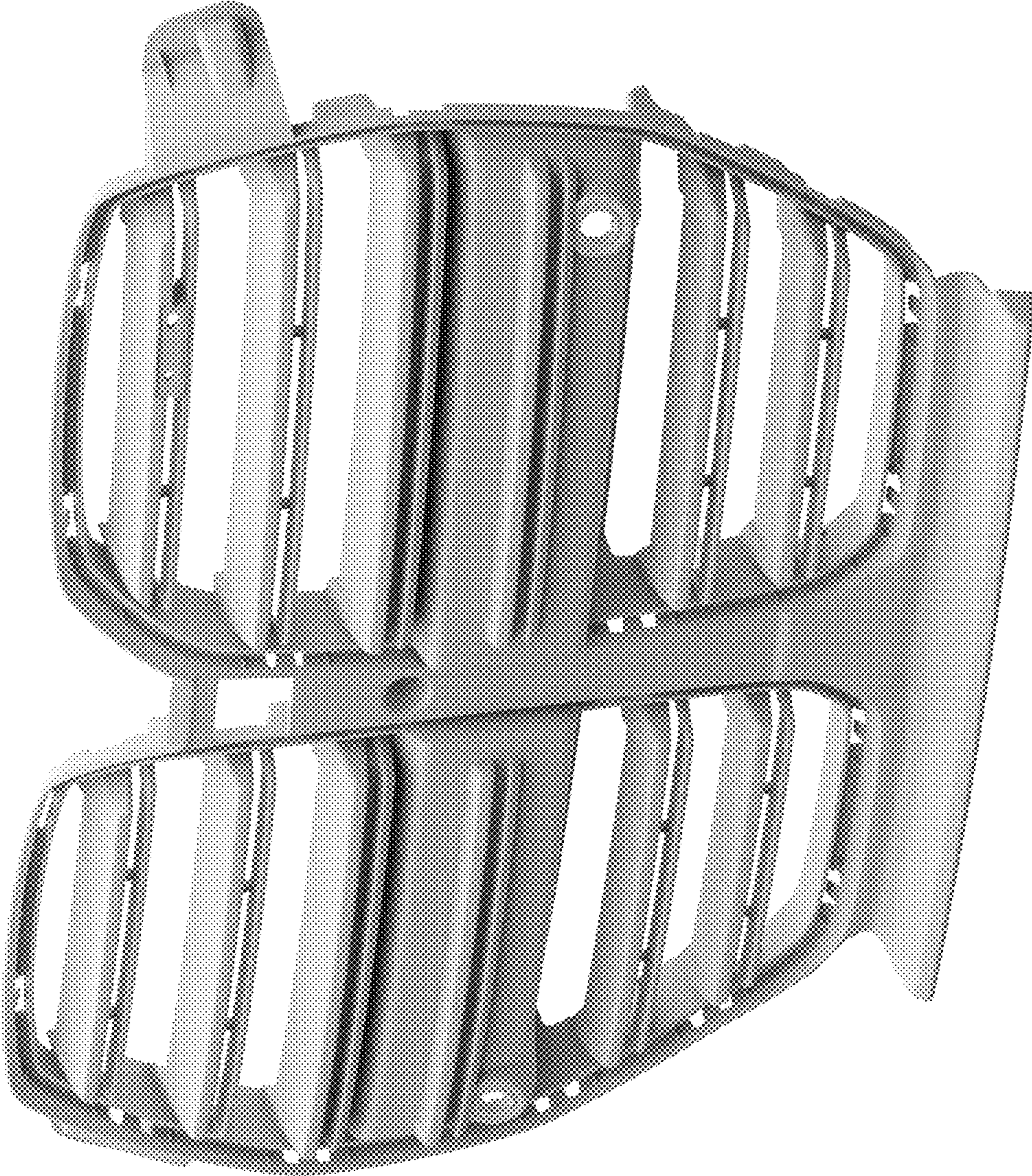


Fig. 2

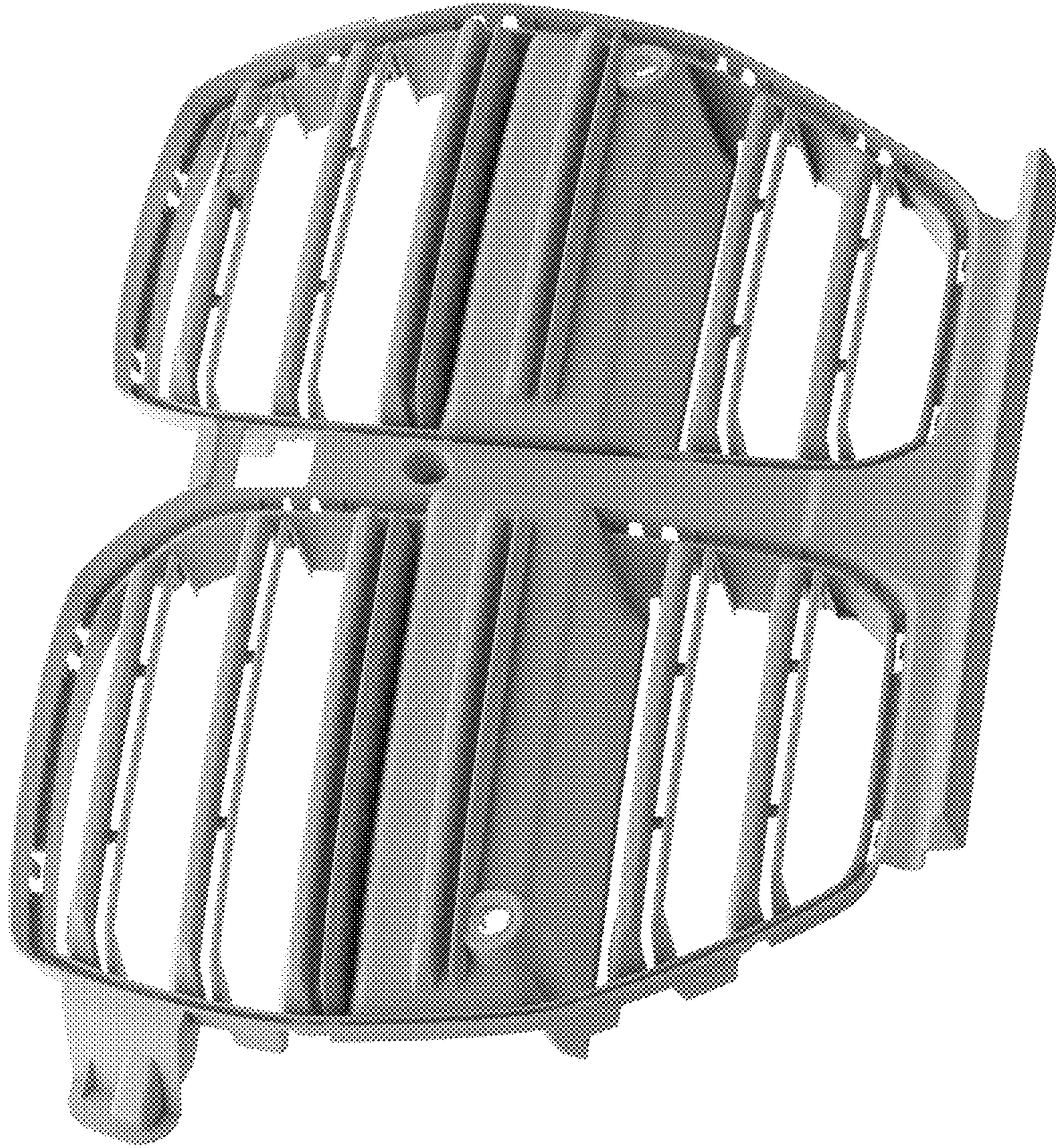


Fig. 3

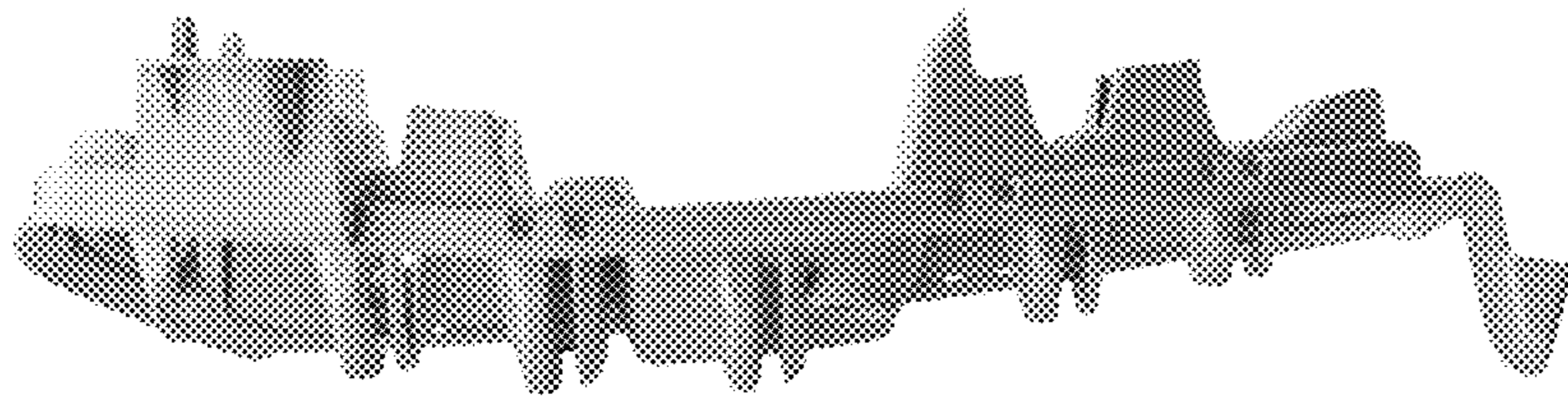


Fig. 4

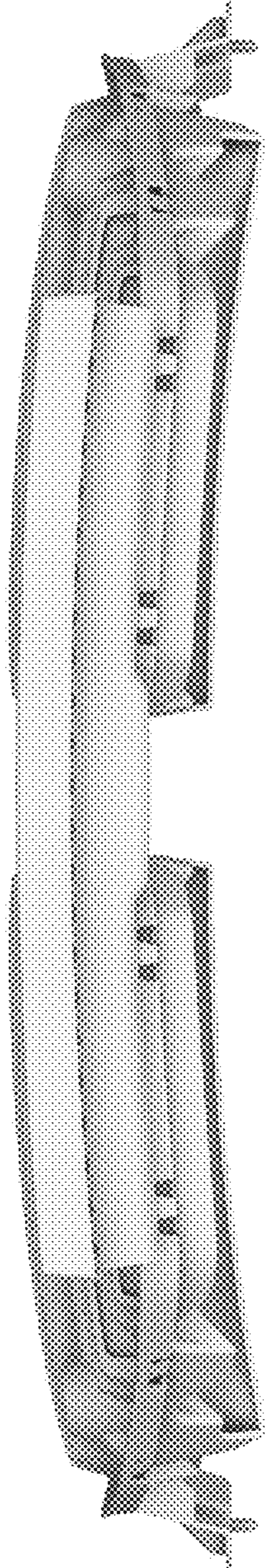


Fig. 5

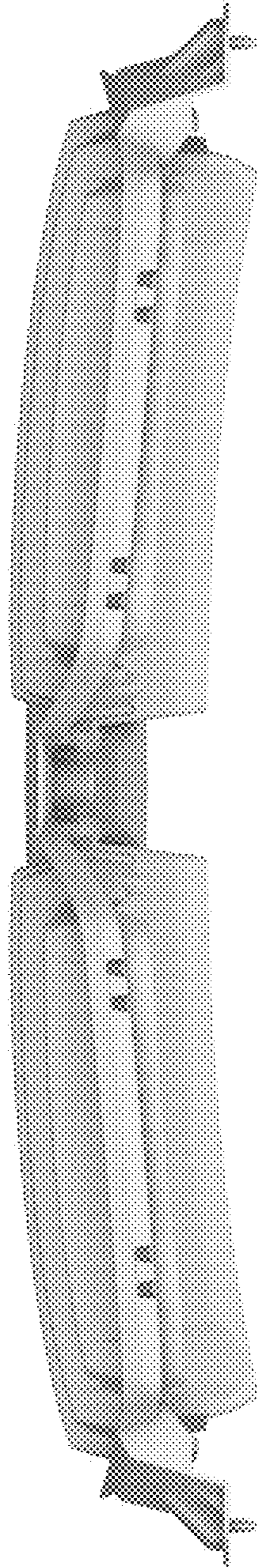


Fig. 6

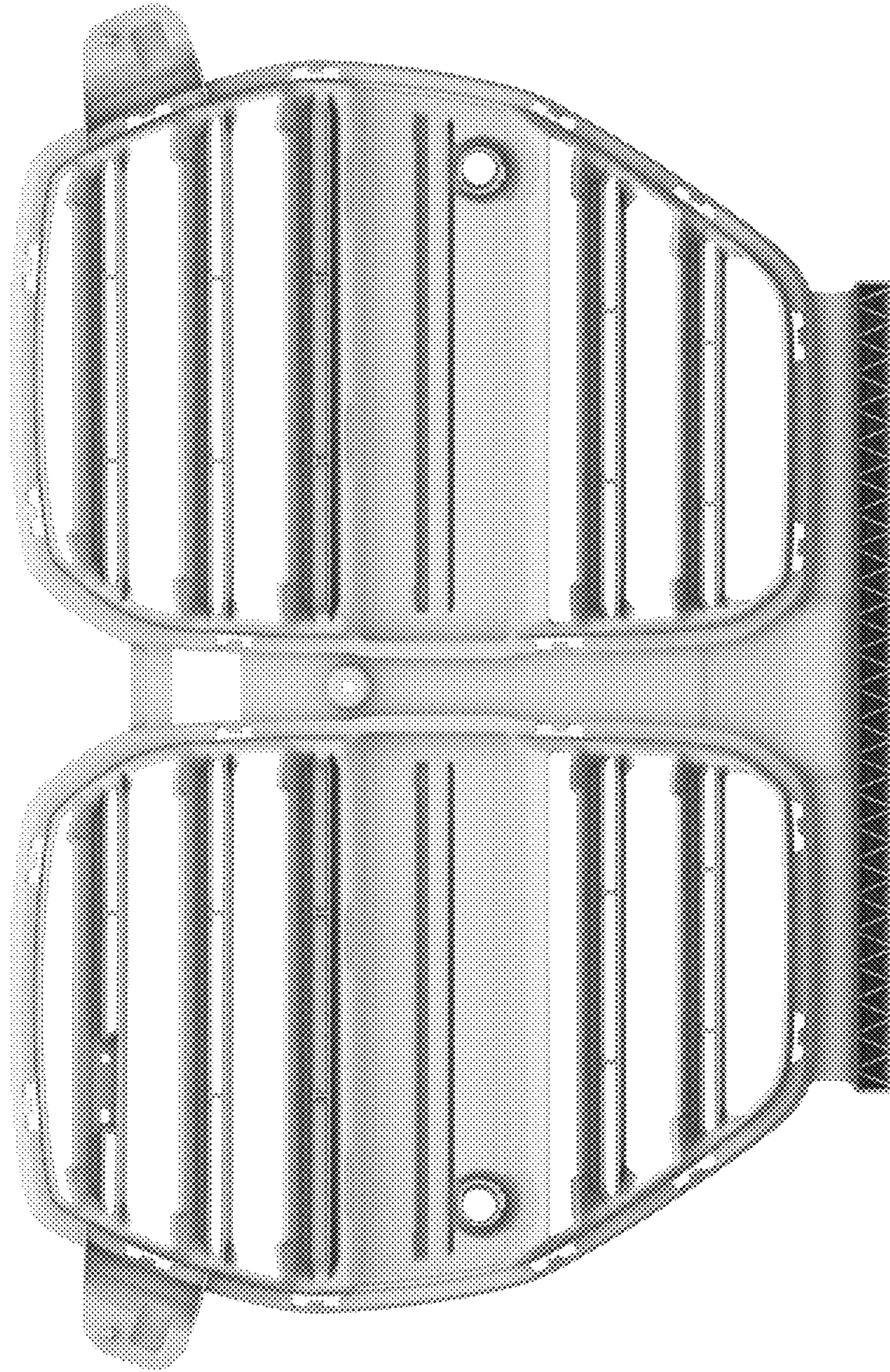


Fig. 7