



US00D951824S

(12) **United States Design Patent** (10) **Patent No.:** **US D951,824 S**
Calver et al. (45) **Date of Patent:** **** May 17, 2022**

(54) **MULTIFUNCTIONAL MOBILITY SYSTEM BASE**

6,032,975 A 3/2000 Hanson et al.
6,086,086 A 7/2000 Hanson et al.
6,270,111 B1* 8/2001 Hanson B62B 7/14
280/650

(71) Applicant: **Participant Assistive Products**, San Francisco, CA (US)

6,715,783 B1 4/2004 Hanson et al.
D801,234 S 10/2017 Elon et al.

(72) Inventors: **David Edward Calver**, Courtenay (CA); **George James King, Jr.**, San Francisco, CA (US); **Ryota Yamada**, Azai-cho (JP)

2003/0137119 A1 7/2003 Razon
2008/0079230 A1 4/2008 Graham
2010/0013276 A1 1/2010 Tholkes et al.
2013/0037333 A1 2/2013 Sousa

(Continued)

(73) Assignee: **Participant Assistive Products**, San Francisco, CA (US)

OTHER PUBLICATIONS

(**) Term: **15 Years**

Cub, Published Sep. 1, 2021 [online], [retrieved on Dec. 8, 2021]. Retrieved from the Internet: <https://www.youtube.com/watch?v=aYLmoShmUNI> (Year: 2021).*

(21) Appl. No.: **29/764,291**

(Continued)

(22) Filed: **Dec. 29, 2020**

Primary Examiner — Cary M Robinson

(51) **LOC (13) Cl.** **12-12**

Assistant Examiner — Adam C Mager

(52) **U.S. Cl.**
USPC **D12/133**

(74) *Attorney, Agent, or Firm* — Morrison & Foerster LLP

(58) **Field of Classification Search**
USPC D12/128, 129, 130, 131, 132, 133, 223;
D21/686, 687, 689, 690, 691; D8/349,
D8/354, 400

(57) **CLAIM**

We claim the ornamental design for a multifunctional mobility system base, as shown and described.

CPC . A61G 5/00; A61G 5/02; A61G 5/021; A61G 5/022; A61G 5/04; A61G 5/041; A61G 5/042; A61G 5/043; A61G 5/045; A61G 5/046; A61G 5/047; A61G 5/048; A61G 5/10; A61G 5/1062; A61G 5/1067; A61G 5/1075; A61G 5/1091; A61G 5/1094; A61G 5/128; A61G 5/14; A61H 3/008; A61H 3/04

DESCRIPTION

FIG. 1 is a perspective view of a multifunctional mobility system base showing our new design; FIG. 2 is a front view thereof; FIG. 3 is a rear view thereof; FIG. 4 is a side view thereof; FIG. 5 is a side view of the opposite side of FIG. 4; FIG. 6 is a top view thereof; and, FIG. 7 is a bottom view thereof.

See application file for complete search history.

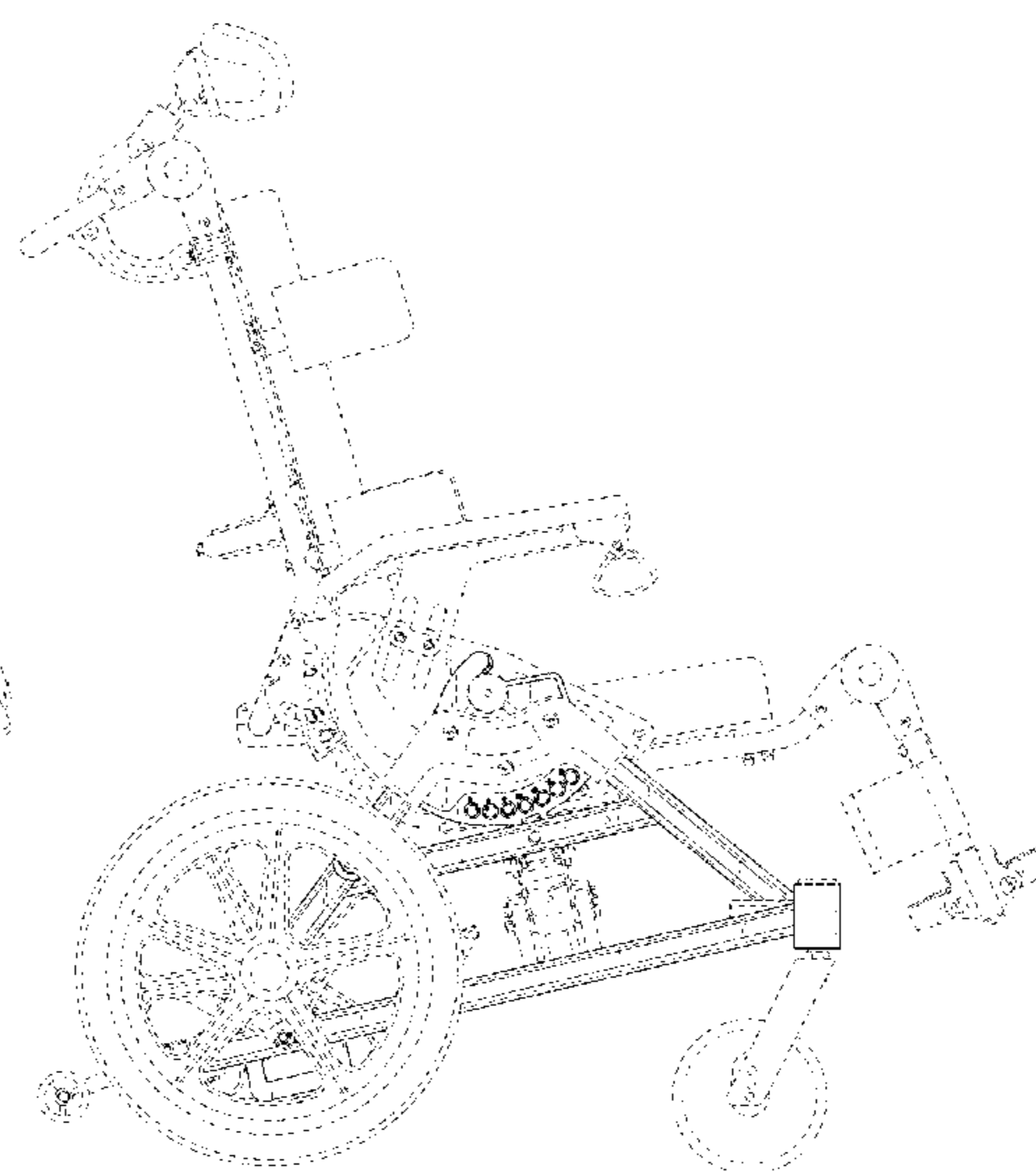
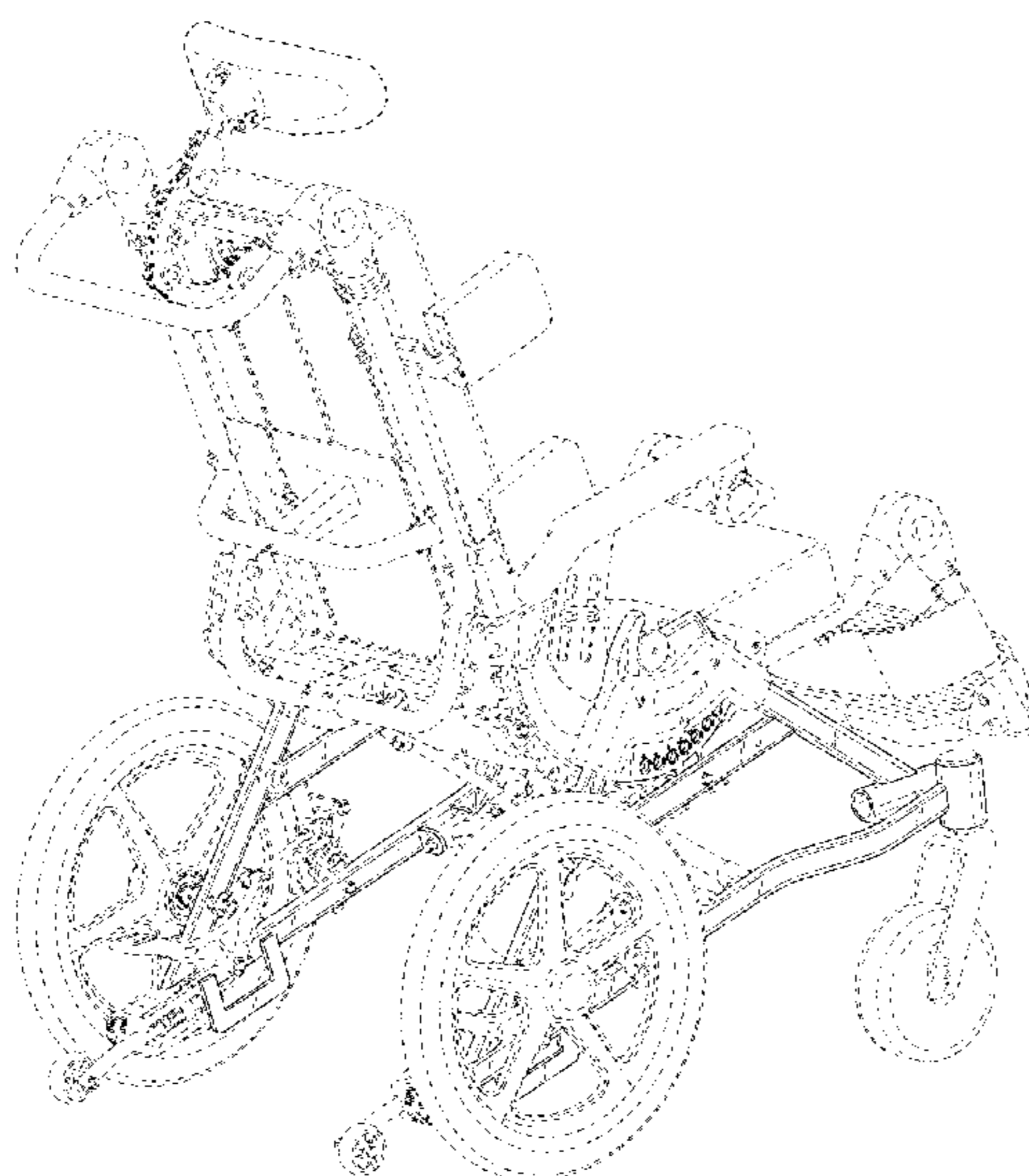
The broken lines shown in the drawings illustrate portions of the multifunctional mobility system base that forms no part of the claimed design.

(56) **References Cited**

U.S. PATENT DOCUMENTS

4,893,827 A * 1/1990 Gay A61G 5/00
280/250.1
6,003,532 A 12/1999 Pi

1 Claim, 7 Drawing Sheets



(56)

References Cited

U.S. PATENT DOCUMENTS

2015/0283009 A1 10/2015 Borisoff et al.
2020/0206067 A1* 7/2020 Hanson A61H 3/008

OTHER PUBLICATIONS

(Feb. 28, 2019). "Participant's First Product Debut Demo in Mexico"
retrieved from web page <https://www.youtube.com/watch?v=wwFf79elub8&feature=youtu.be>, on Jul. 11, 2021, 2 pages.

International Search Report and Written Opinion dated May 5,
2020, directed to International Application No. PCT/US19/68770;
14 pages.

Invitation to Pay Additional Fees dated Mar. 3, 2020, directed to
International Application No. PCT/US19/68770; 2 pages.

* cited by examiner

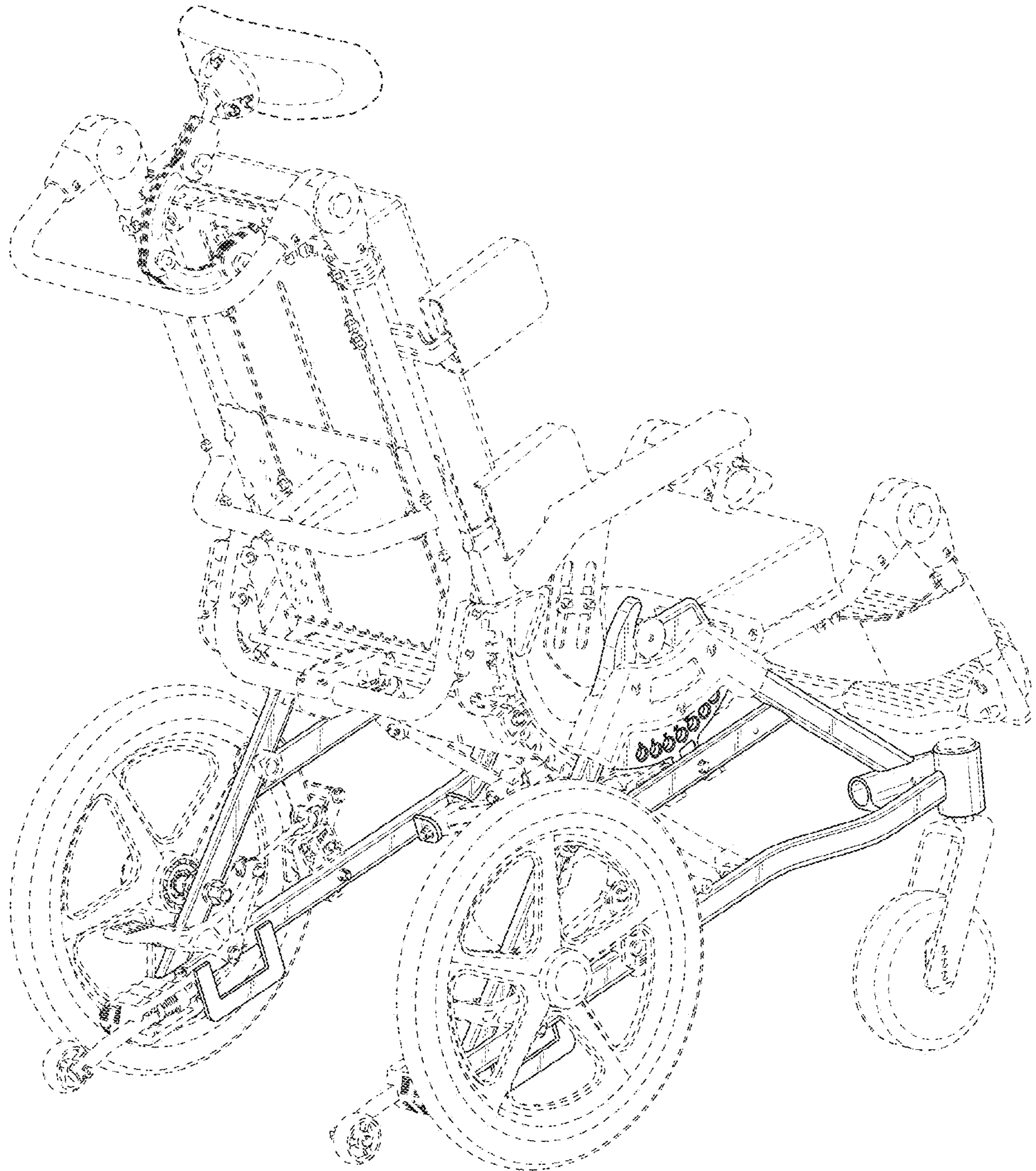


FIG. 1

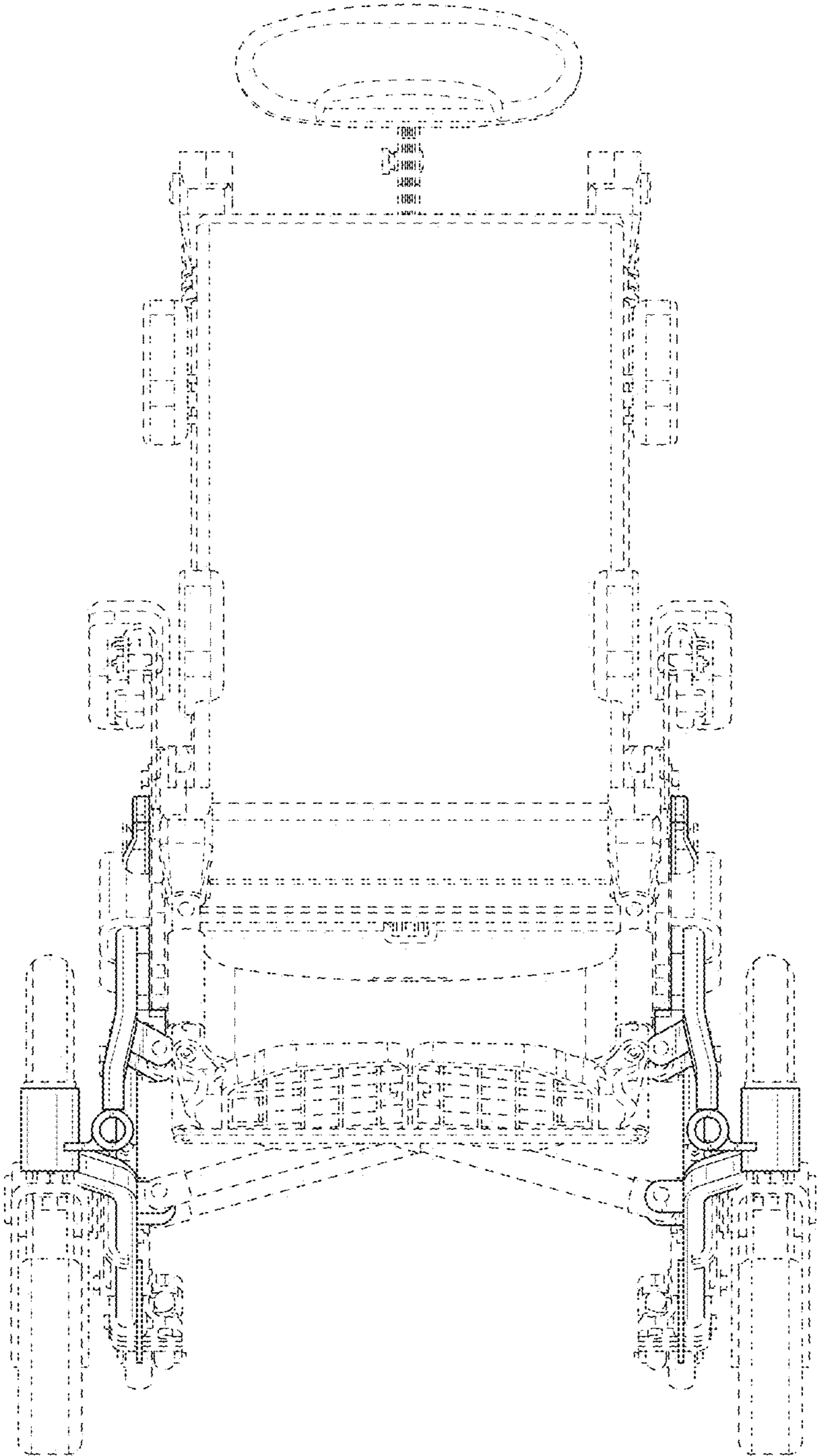


FIG. 2

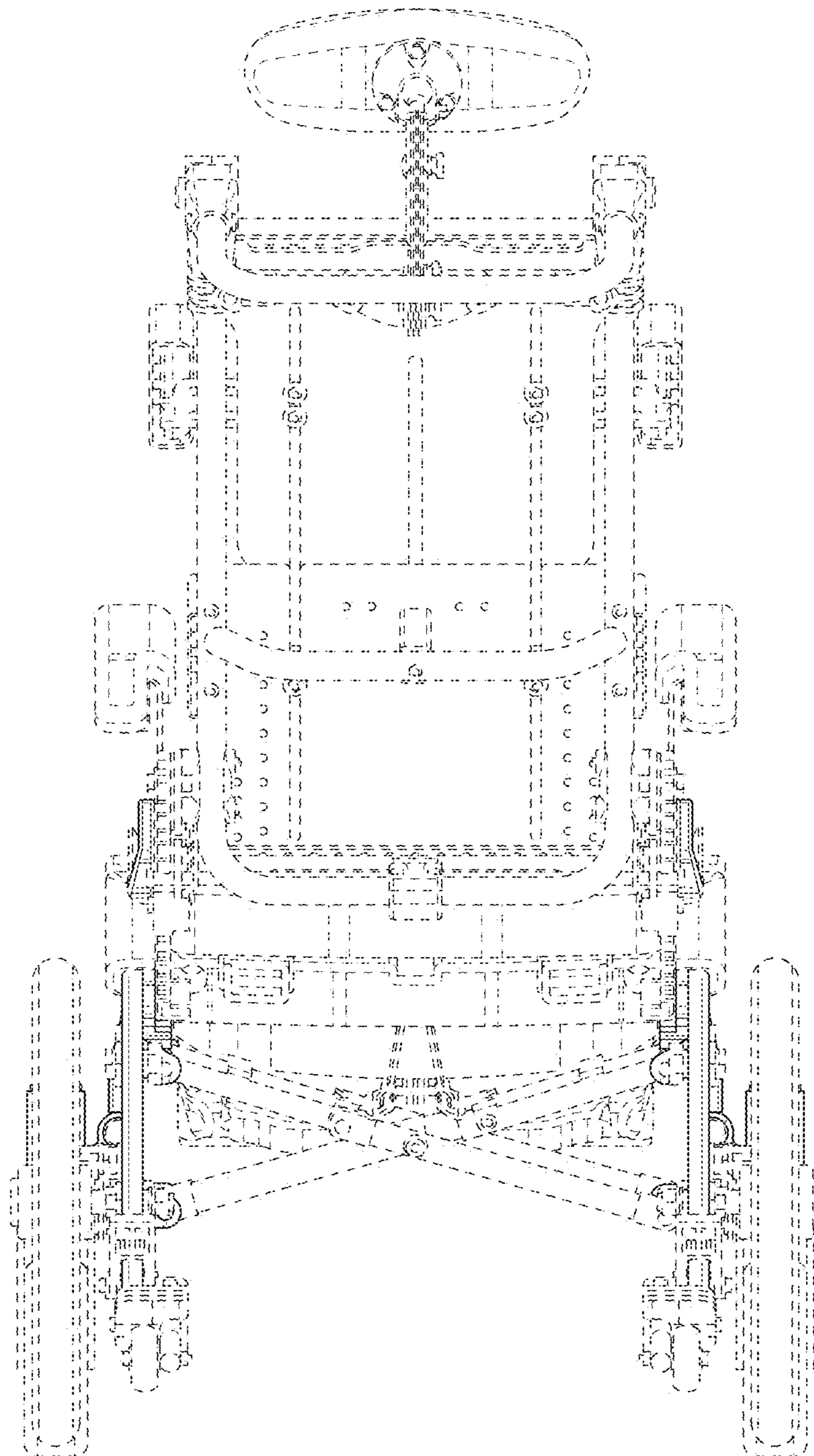


FIG. 3

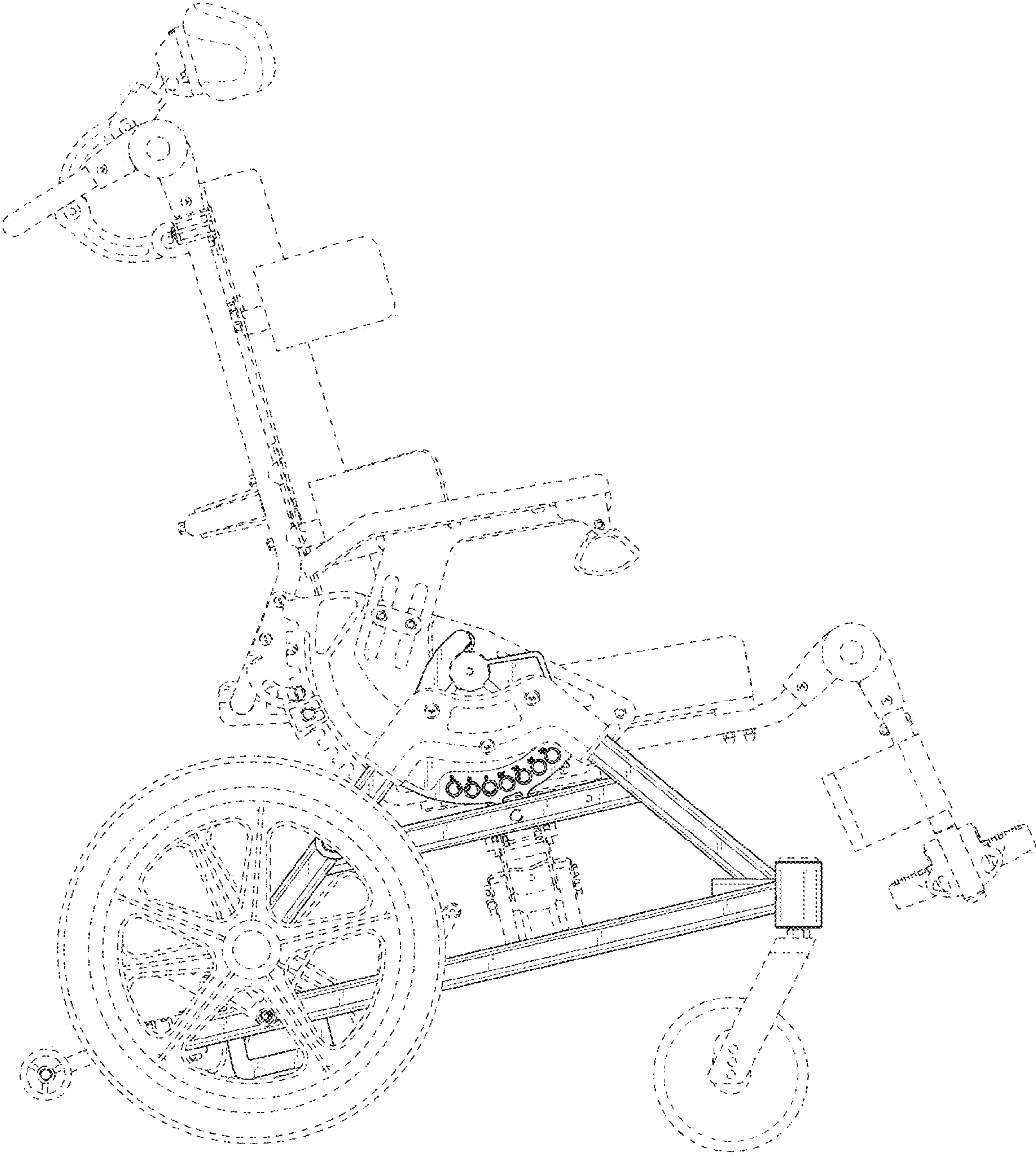


FIG. 4

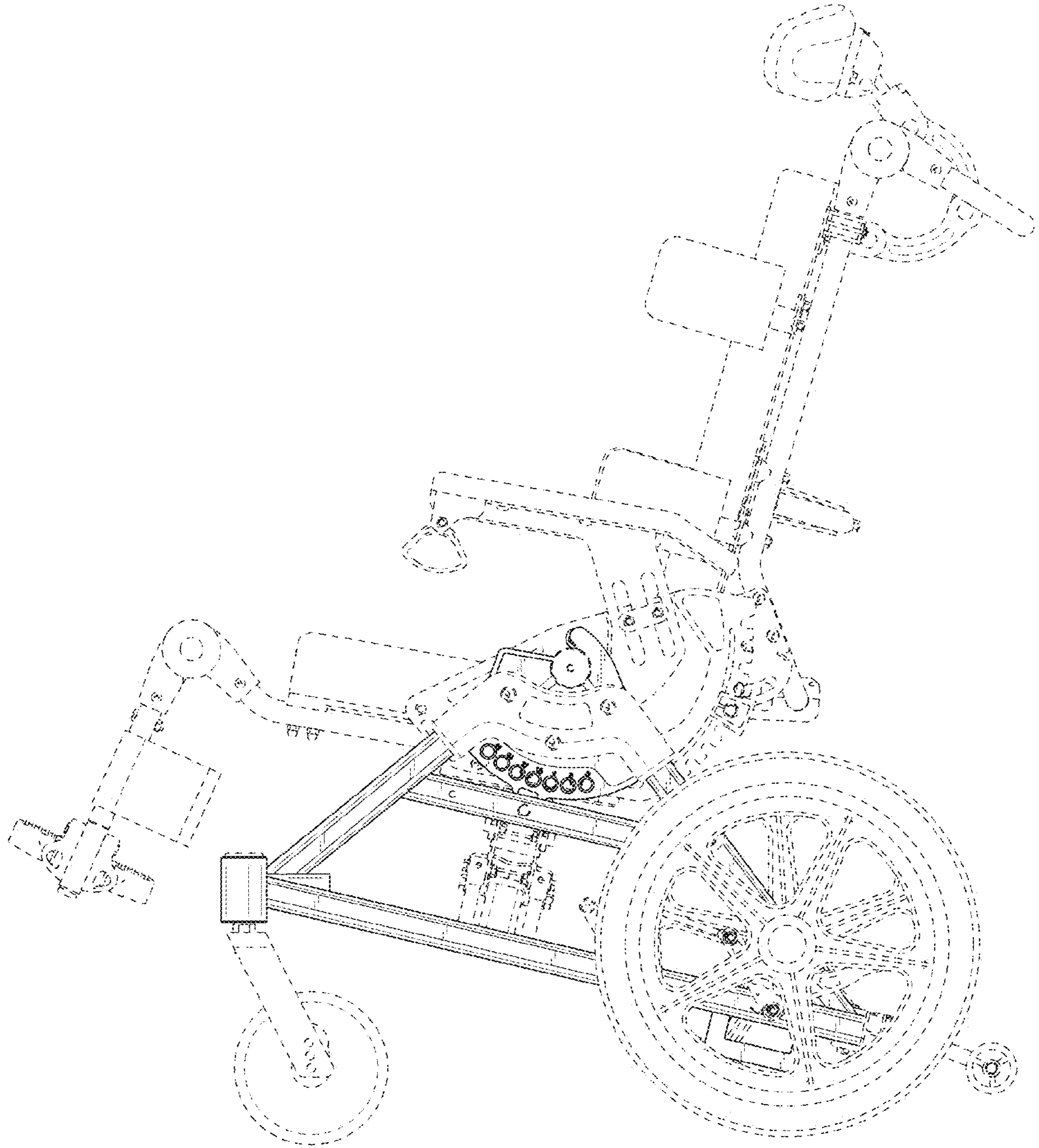


FIG. 5

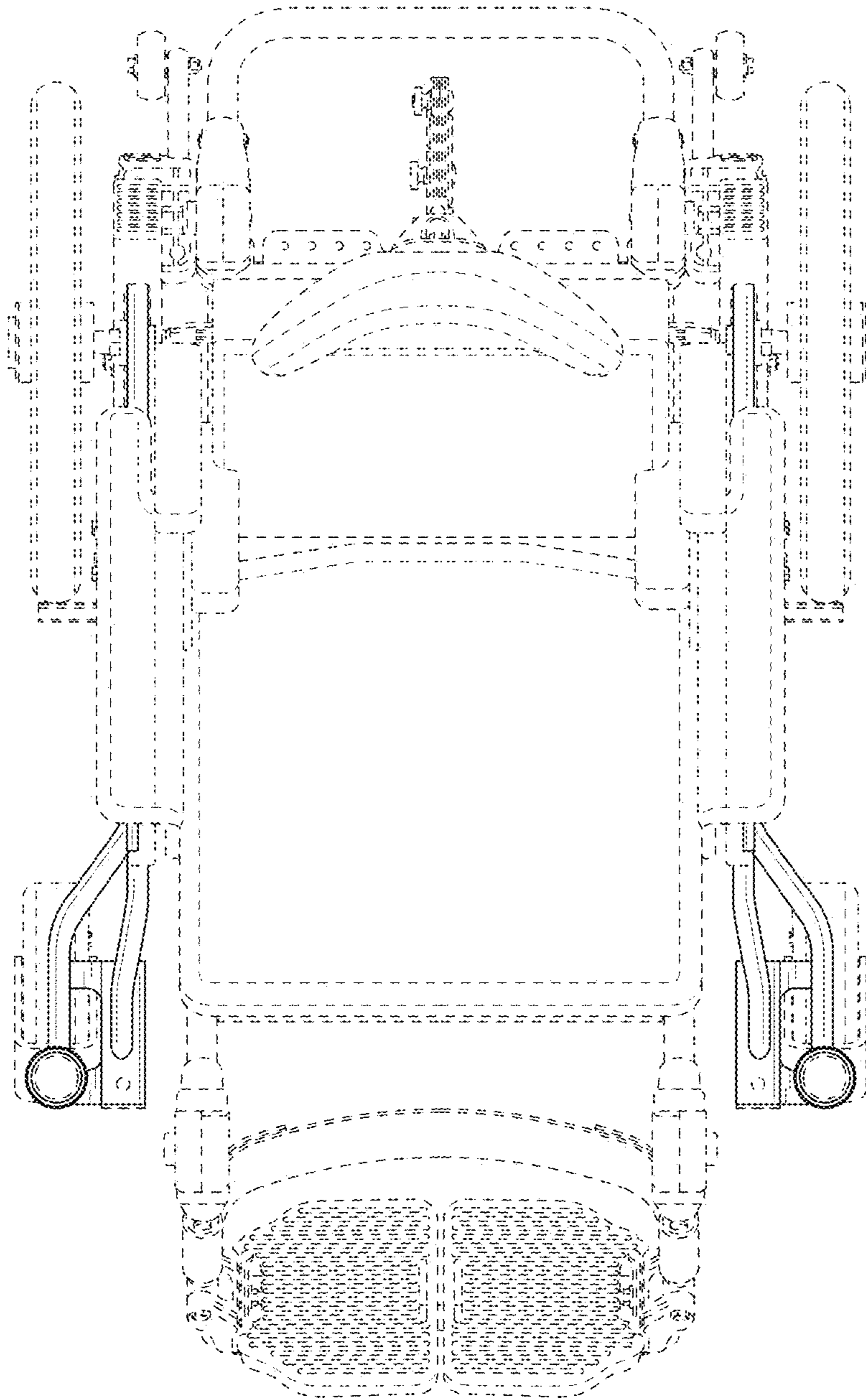


FIG. 6

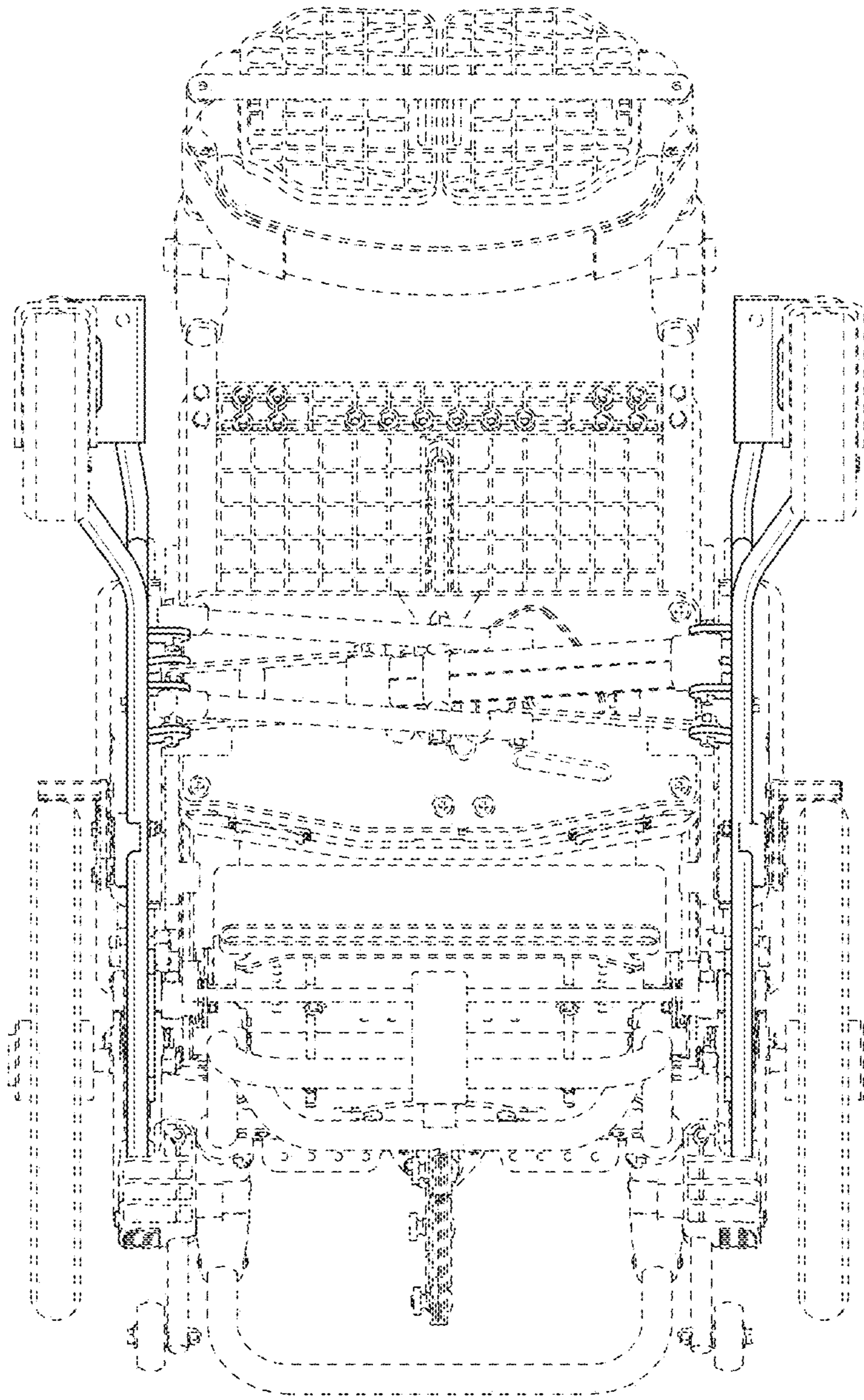


FIG. 7