



US00D951821S

(12) **United States Design Patent**
Holper et al.

(10) **Patent No.:** **US D951,821 S**
(45) **Date of Patent:** **** May 17, 2022**

(54) **FOLDABLE BABY CARRIAGE**
(71) Applicant: **Milk Holding B.V.**, Amsterdam (NL)

D747,669 S * 1/2016 Cheng D12/129
D765,555 S * 9/2016 Lai D12/129
D849,606 S * 5/2019 Barenbrug D12/129

(72) Inventors: **Michel Paul Rene Holper**, Amsterdam (NL); **Jacques Constantijn Spangenberg**, Amsterdam (NL)

* cited by examiner

Primary Examiner — Charles D Hanson
(74) *Attorney, Agent, or Firm* — TraskBritt

(73) Assignee: **Milk Holding B.V.**, Amsterdam (NL)

(57) **CLAIM**

(**) Term: **15 Years**

The ornamental design for a foldable baby carriage, as shown and described.

(21) Appl. No.: **29/710,357**

DESCRIPTION

(22) Filed: **Oct. 22, 2019**

FIG. 1 is a first perspective top view of a (folded) foldable baby carriage showing our new design;

(30) **Foreign Application Priority Data**

Apr. 23, 2019 (EM) 006392619-0002

FIG. 2 is a second perspective top view of the foldable baby carriage shown in FIG. 1;

(51) **LOC (13) Cl.** **12-12**

FIG. 3 is a perspective bottom view of the foldable baby carriage shown in FIG. 1;

(52) **U.S. Cl.**
USPC **D12/129**

FIG. 4 is a side view of the foldable baby carriage shown in FIG. 1;

(58) **Field of Classification Search**
USPC D12/128-133
CPC B62B 7/00-04; B62B 9/00-28
See application file for complete search history.

FIG. 5 is a back view of the foldable baby carriage shown in FIG. 1;

FIG. 6 is a bottom view of the foldable baby carriage shown in FIG. 1; and,

(56) **References Cited**

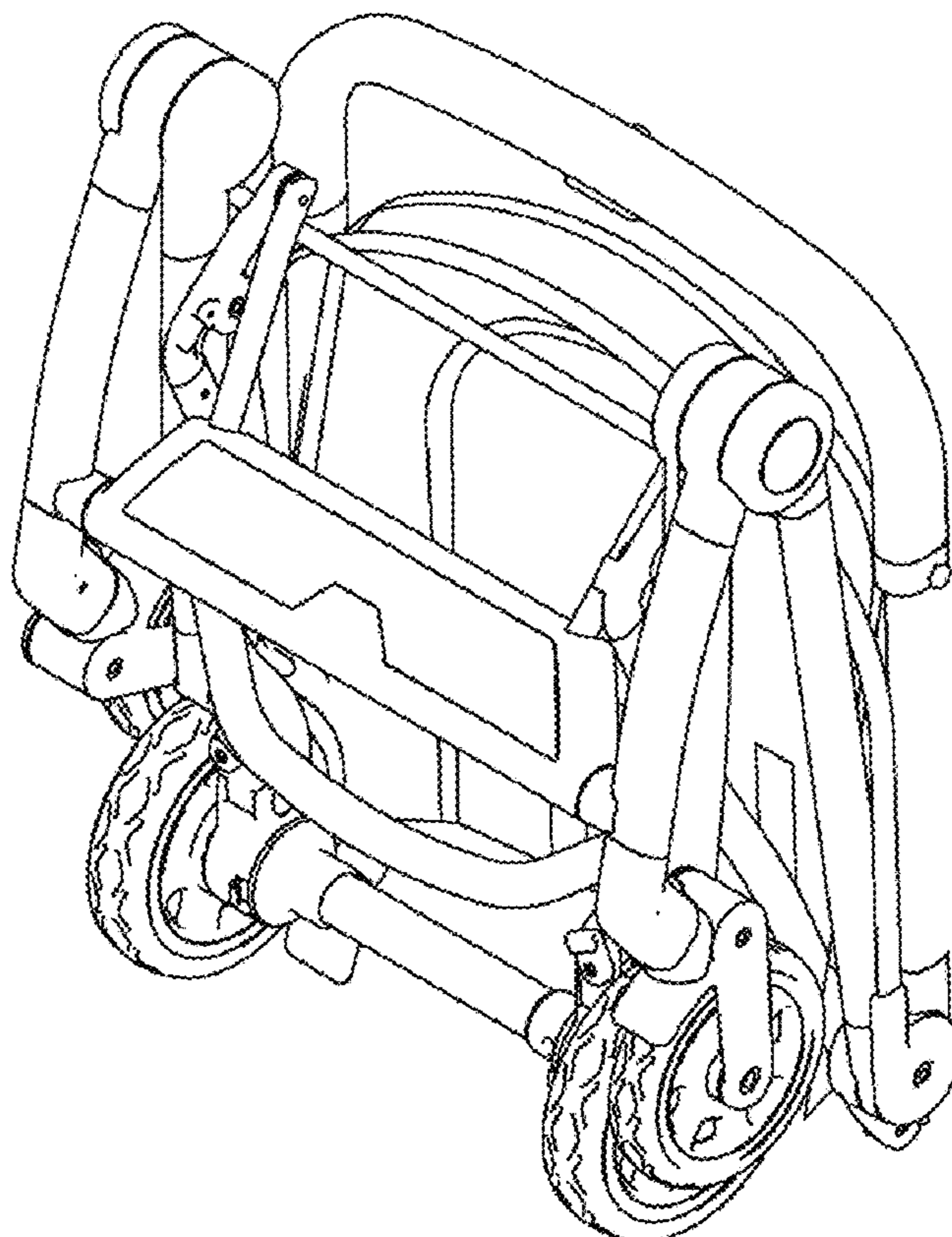
U.S. PATENT DOCUMENTS

D677,605 S * 3/2013 Ide D12/129
D726,078 S * 4/2015 Liao D12/129

FIG. 7 is a top view of the foldable baby carriage shown in FIG. 1.

Broken-line disclosure is understood to represent portions of the article in which the claimed design is embodied, but which form no part of the claimed design.

1 Claim, 4 Drawing Sheets



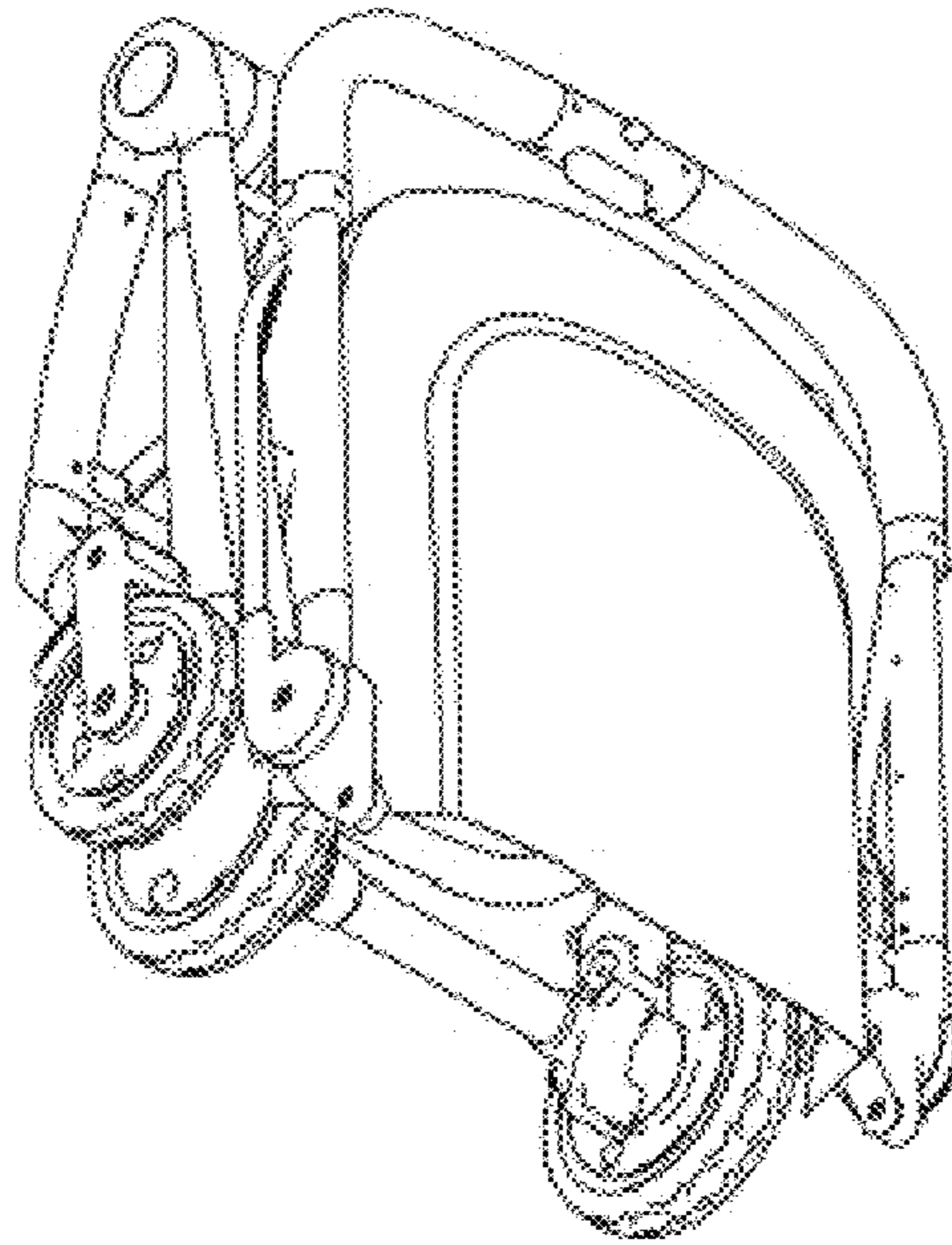


FIG. 1

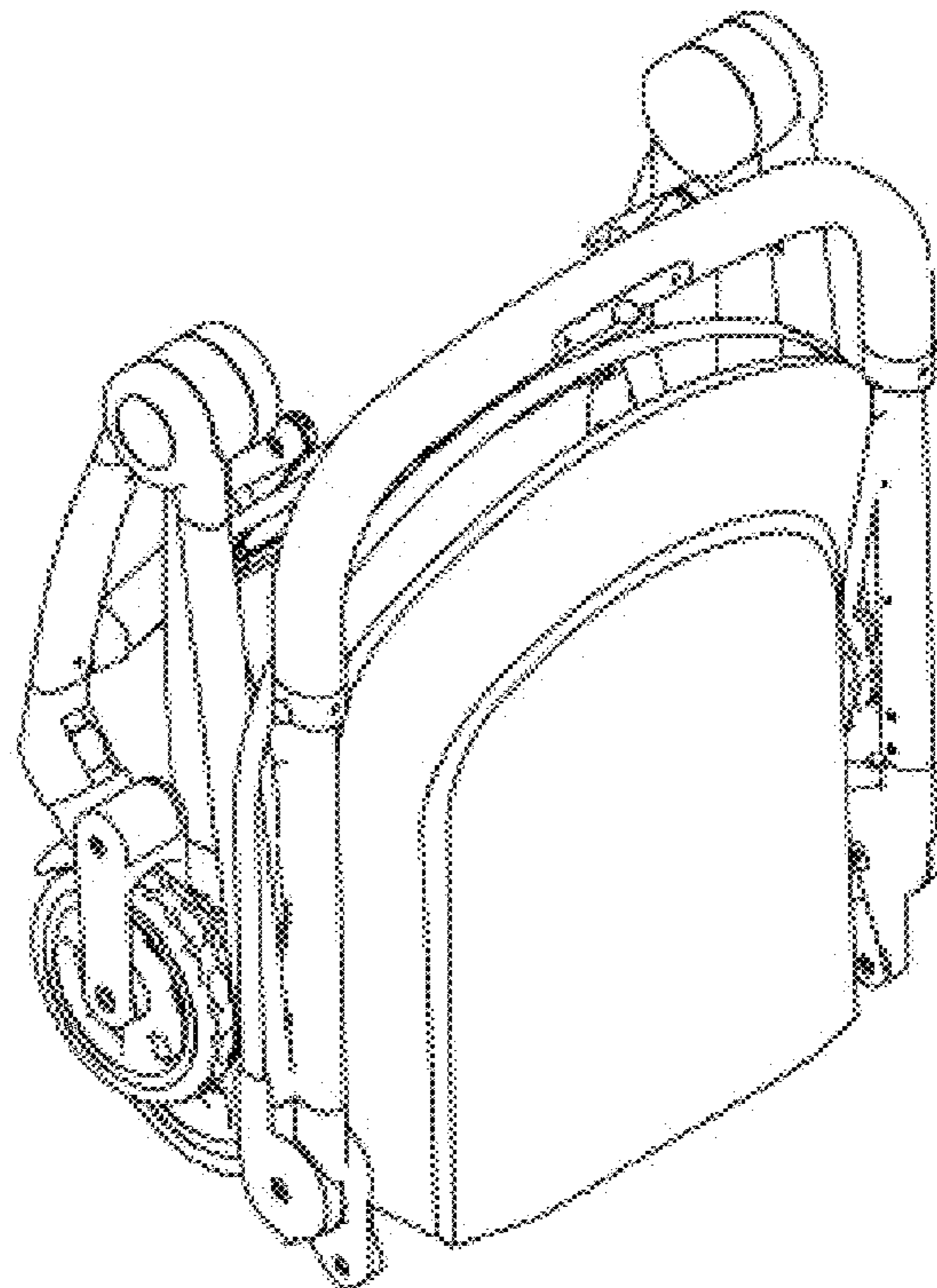


FIG. 2

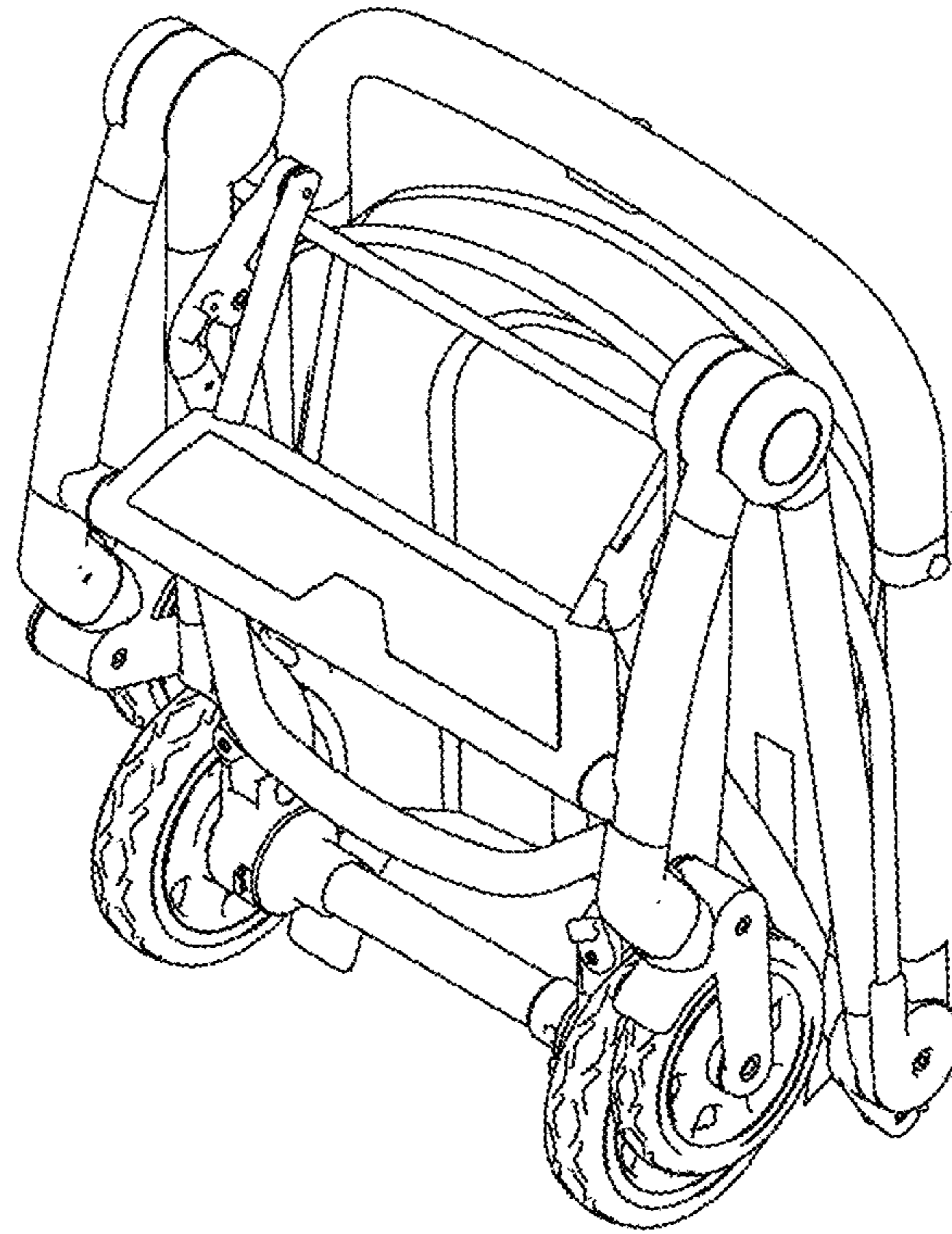


FIG. 3

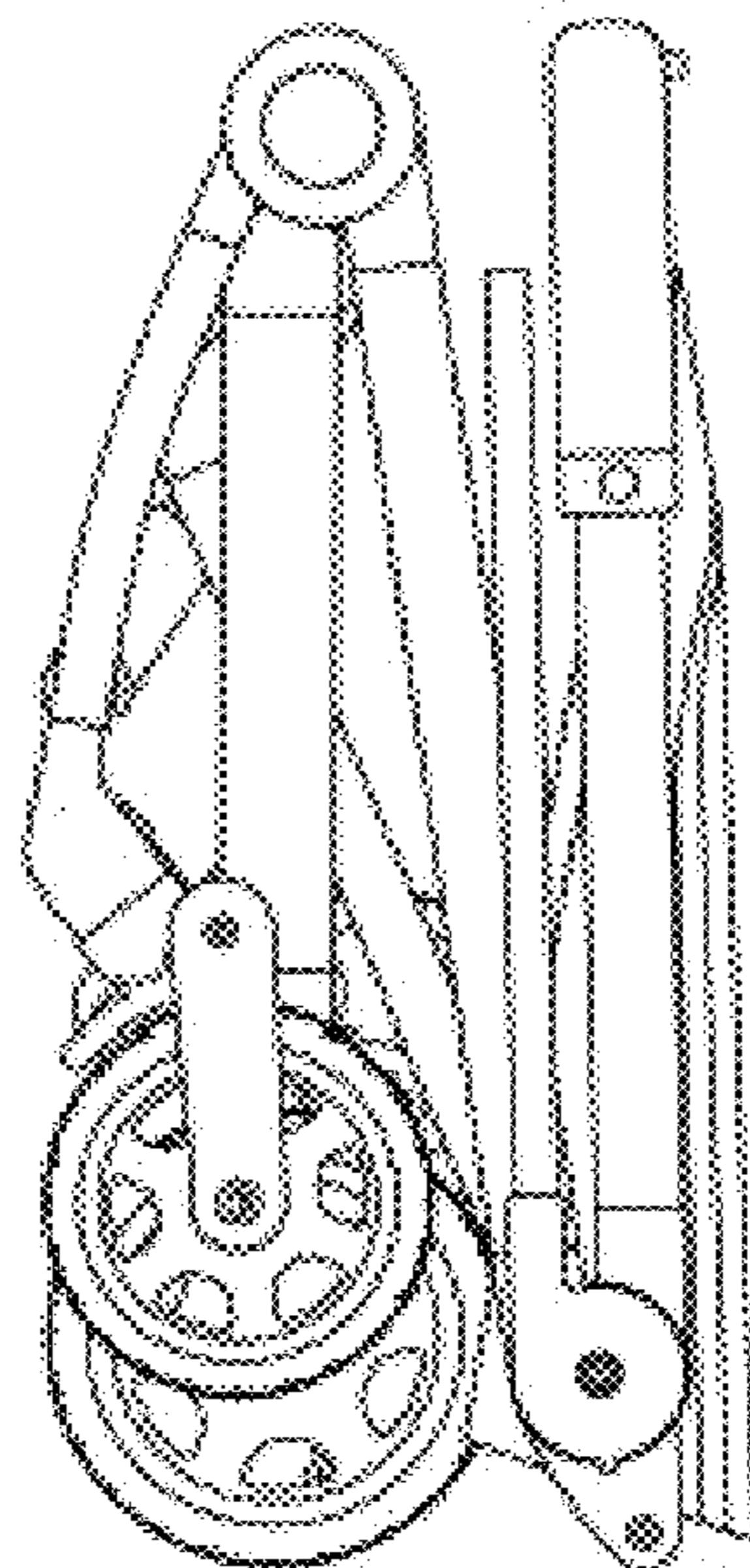


FIG. 4

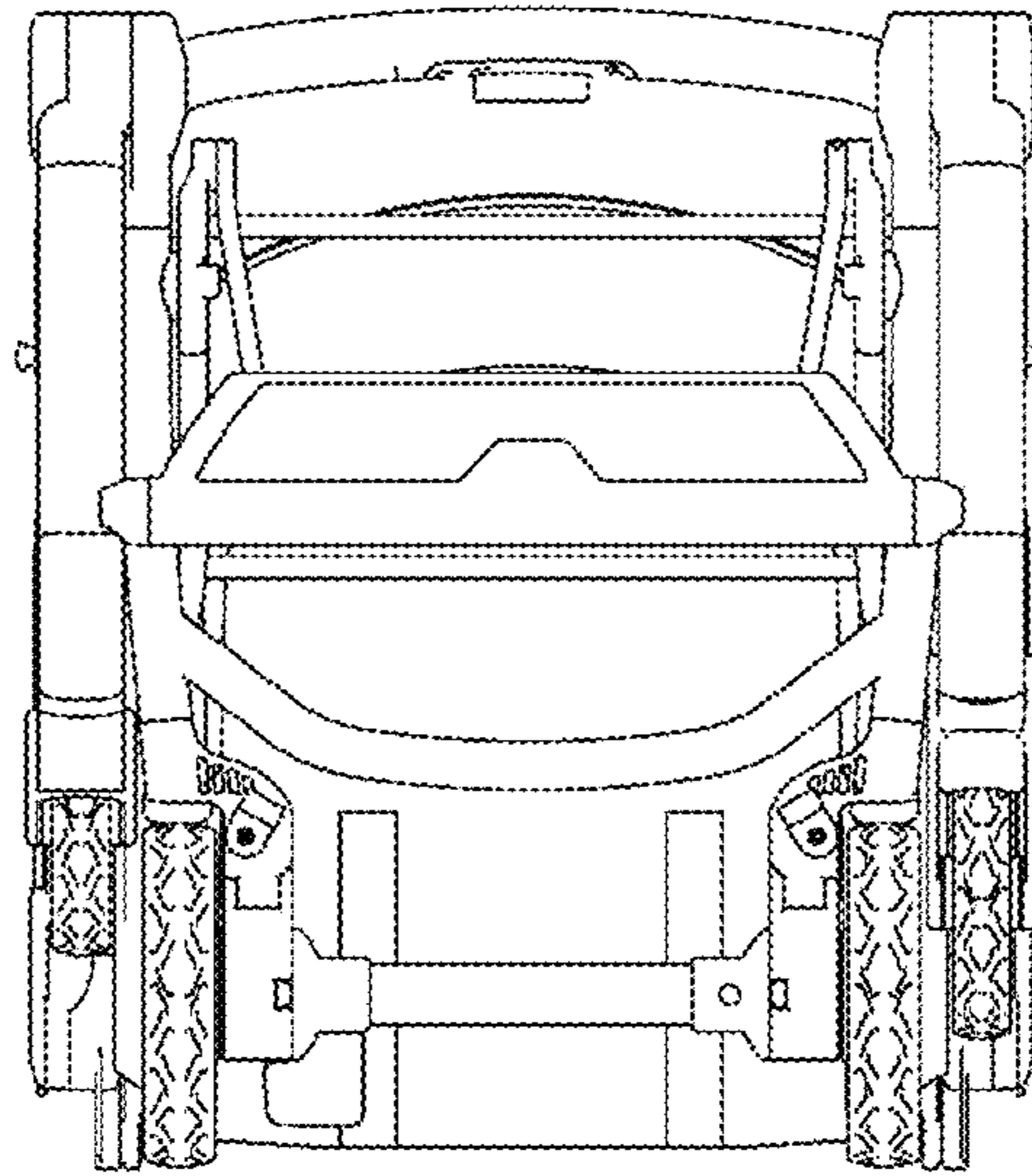


FIG. 5

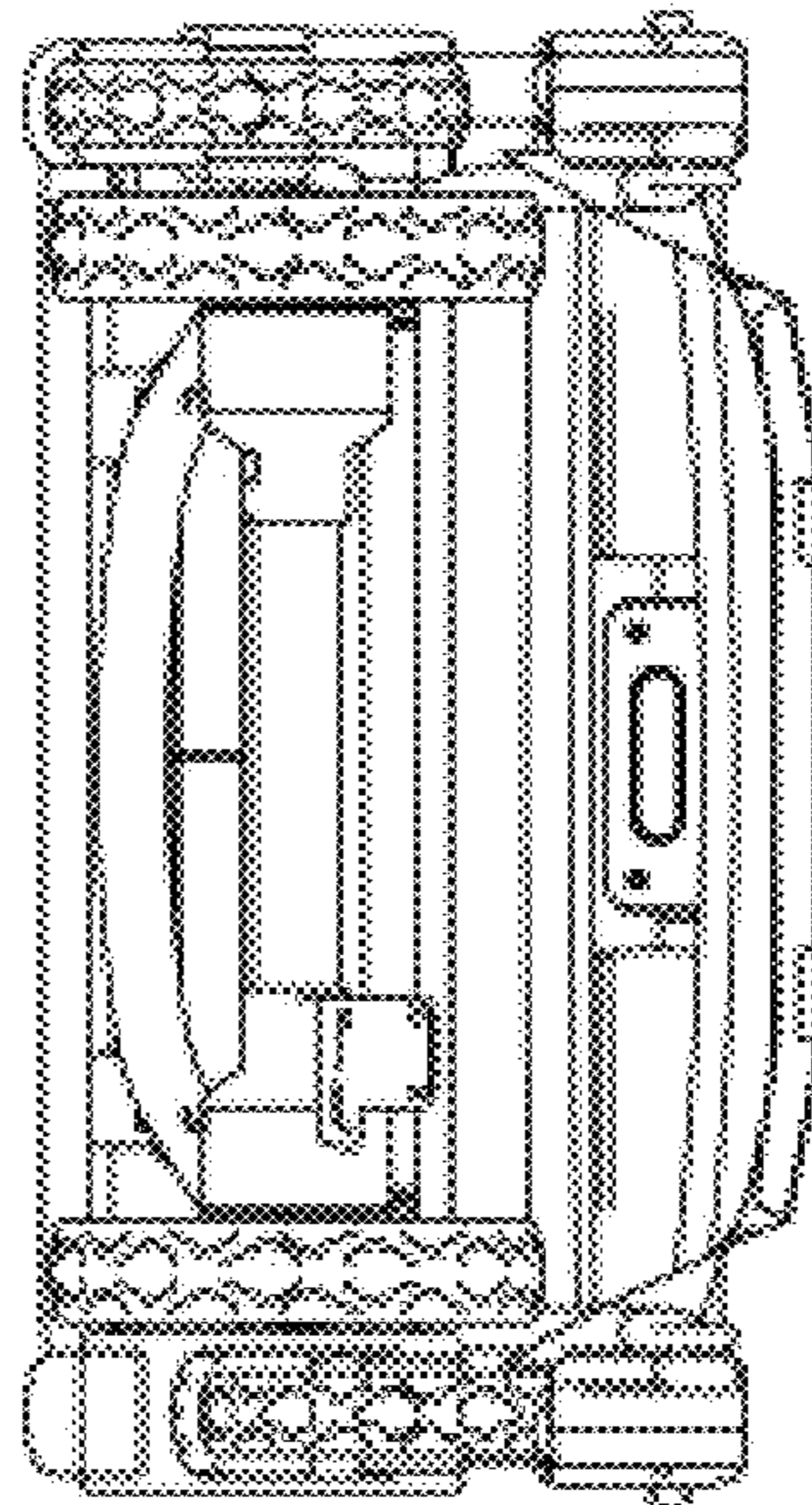


FIG. 6

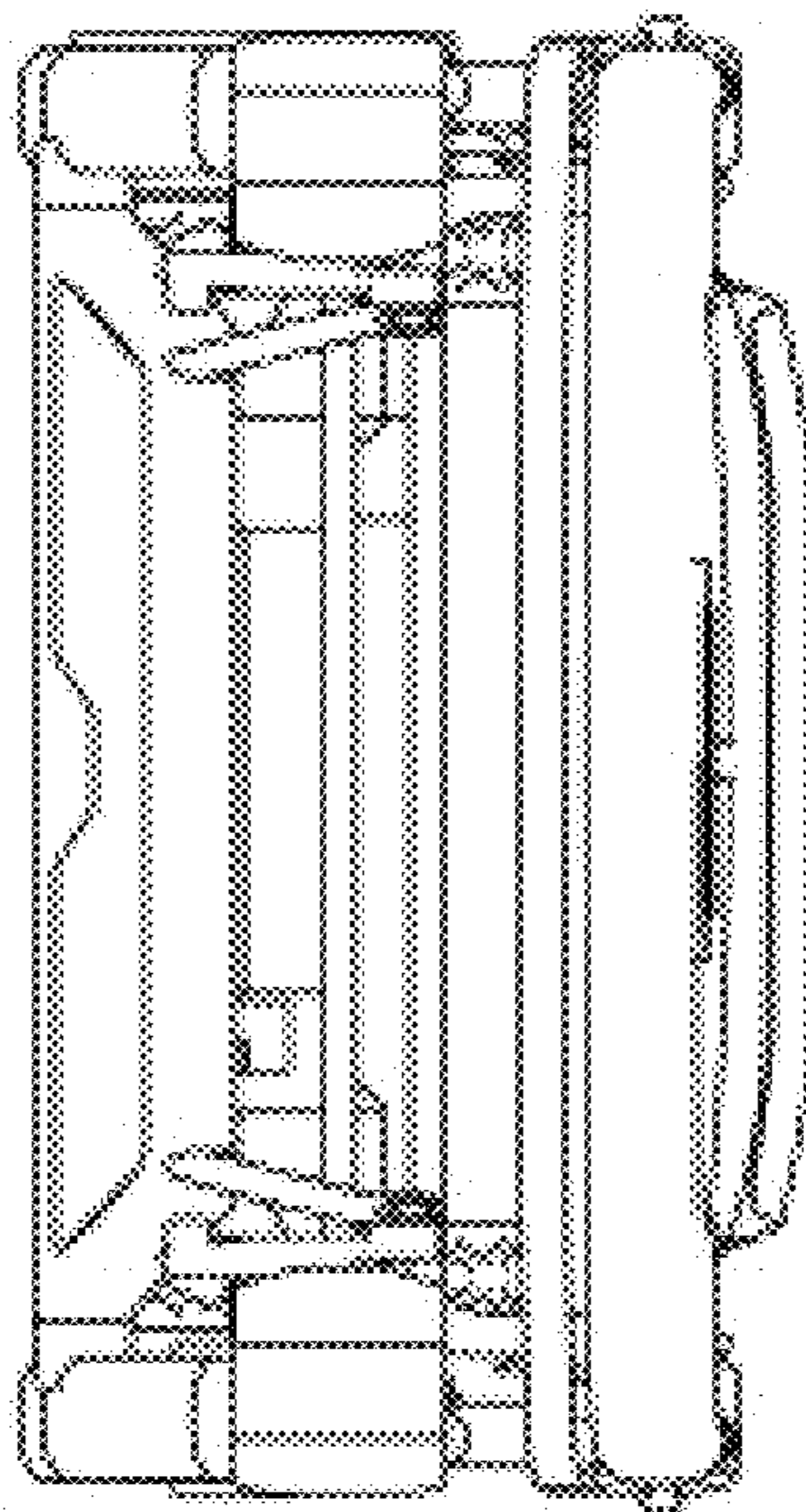


FIG. 7