



US00D951815S

(12) **United States Design Patent**  
**Wang**

(10) **Patent No.:** **US D951,815 S**  
(45) **Date of Patent:** **\*\* May 17, 2022**

(54) **AERIAL VEHICLE**

FOREIGN PATENT DOCUMENTS

(71) Applicant: **Liming Wang**, Zhang Zhou (CN)

EM 007967237-0001 \* 5/2020  
EM 008841068-001 \* 1/2022

(72) Inventor: **Liming Wang**, Zhang Zhou (CN)

(\*\*) Term: **15 Years**

OTHER PUBLICATIONS

(21) Appl. No.: **29/735,404**

Yasola. "Yasola Mini RC Drone for Kids . . ." First Avail: Aug. 5, 2021 [visited Mar. 3, 2022] Amazon URL: [https://www.amazon.com/Obstacle-avoidance-Beginners-Adjustment-Batteries/dp/B09BZJGJQY/ref=sr\\_1\\_68?keywords=Camera+Drones&qid=1646344624&sr=8-68](https://www.amazon.com/Obstacle-avoidance-Beginners-Adjustment-Batteries/dp/B09BZJGJQY/ref=sr_1_68?keywords=Camera+Drones&qid=1646344624&sr=8-68) (Year: 2021).\*

(22) Filed: **May 20, 2020**

(51) **LOC (13) Cl.** ..... **12-07**

(52) **U.S. Cl.**  
USPC ..... **D12/16.1**

\* cited by examiner

(58) **Field of Classification Search**  
USPC ..... D12/1-4, 16.1, 214, 319-345;  
D21/436-454

*Primary Examiner* — Marissa J Cash  
*Assistant Examiner* — Jessie Anne E Touart

CPC ..... B64C 29/0025; B64C 2201/108; B64C 2201/048; B64C 2201/088; B64C 29/00; B64C 29/0058; B64C 39/001; B64C 39/024; B64C 2201/141; B64C 2201/127; B64C 2201/128; B64C 2201/042; B64C 2201/143

(57) **CLAIM**

The ornamental design for an aerial vehicle, as shown and described.

See application file for complete search history.

**DESCRIPTION**

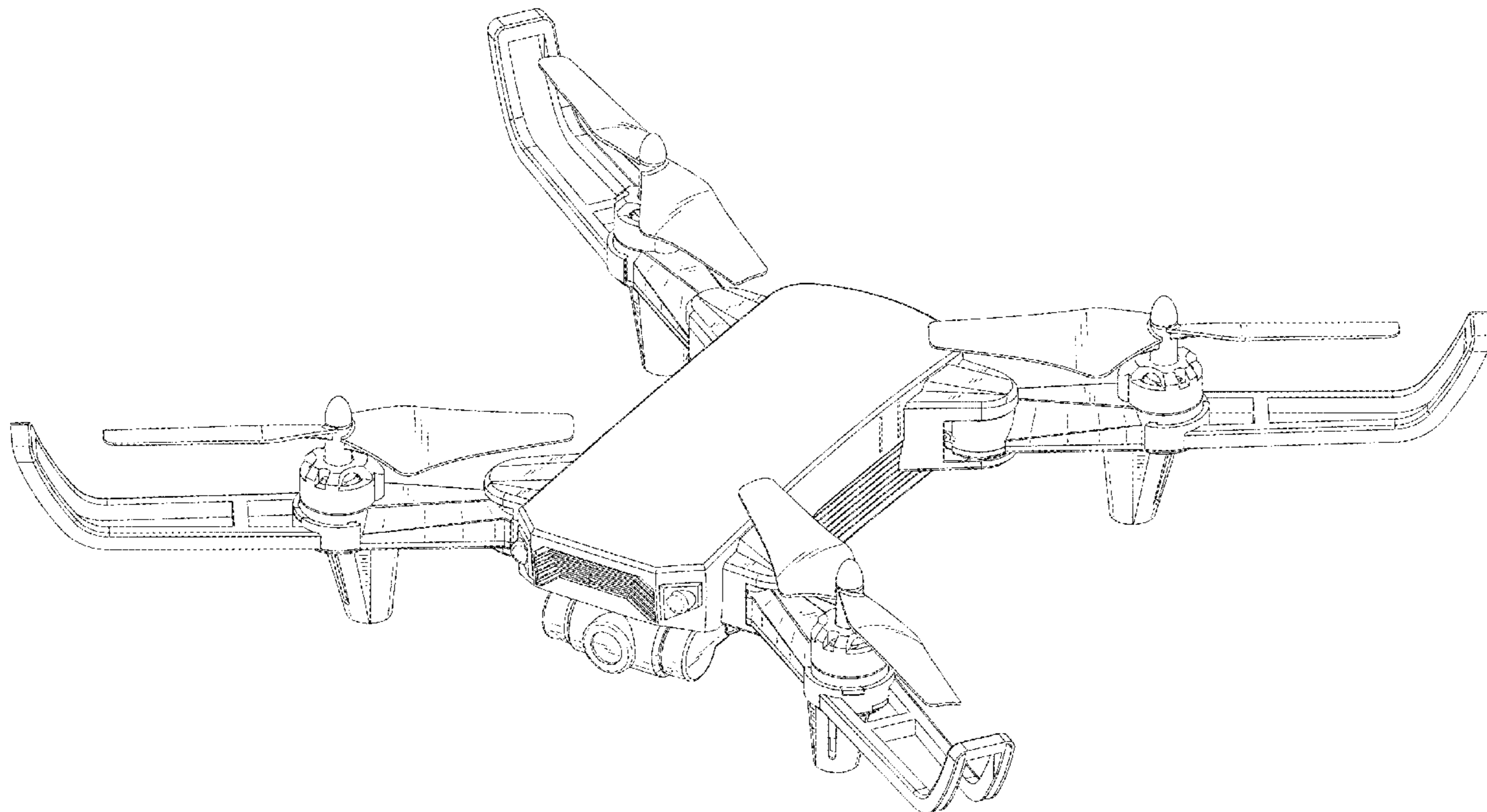
FIG. 1 is a front perspective view of an aerial vehicle showing my new design;  
FIG. 2 is a rear perspective view thereof;  
FIG. 3 is a front elevational view thereof;  
FIG. 4 is a rear elevational view thereof;  
FIG. 5 is a left side elevational view thereof;  
FIG. 6 is a right side elevational view thereof;  
FIG. 7 is a top plan view thereof; and,  
FIG. 8 is a bottom plan view thereof.  
The broken lines in the figures depict the portions of the aerial vehicle that form no part of the claimed design.

(56) **References Cited**

U.S. PATENT DOCUMENTS

D818,872 S \* 5/2018 Ho ..... D12/16.1  
D854,448 S \* 7/2019 Chen ..... D12/16.1  
D861,573 S \* 10/2019 He ..... D12/328  
D873,175 S \* 1/2020 Li ..... D12/328  
D882,460 S \* 4/2020 Chen ..... D12/16.1  
D883,140 S \* 5/2020 Chen ..... D12/345  
D887,340 S \* 6/2020 He ..... D12/328  
2019/0039719 A1 \* 2/2019 Baek ..... B64C 11/02  
2019/0322342 A1 \* 10/2019 Dabbous ..... E21B 41/04

**1 Claim, 8 Drawing Sheets**



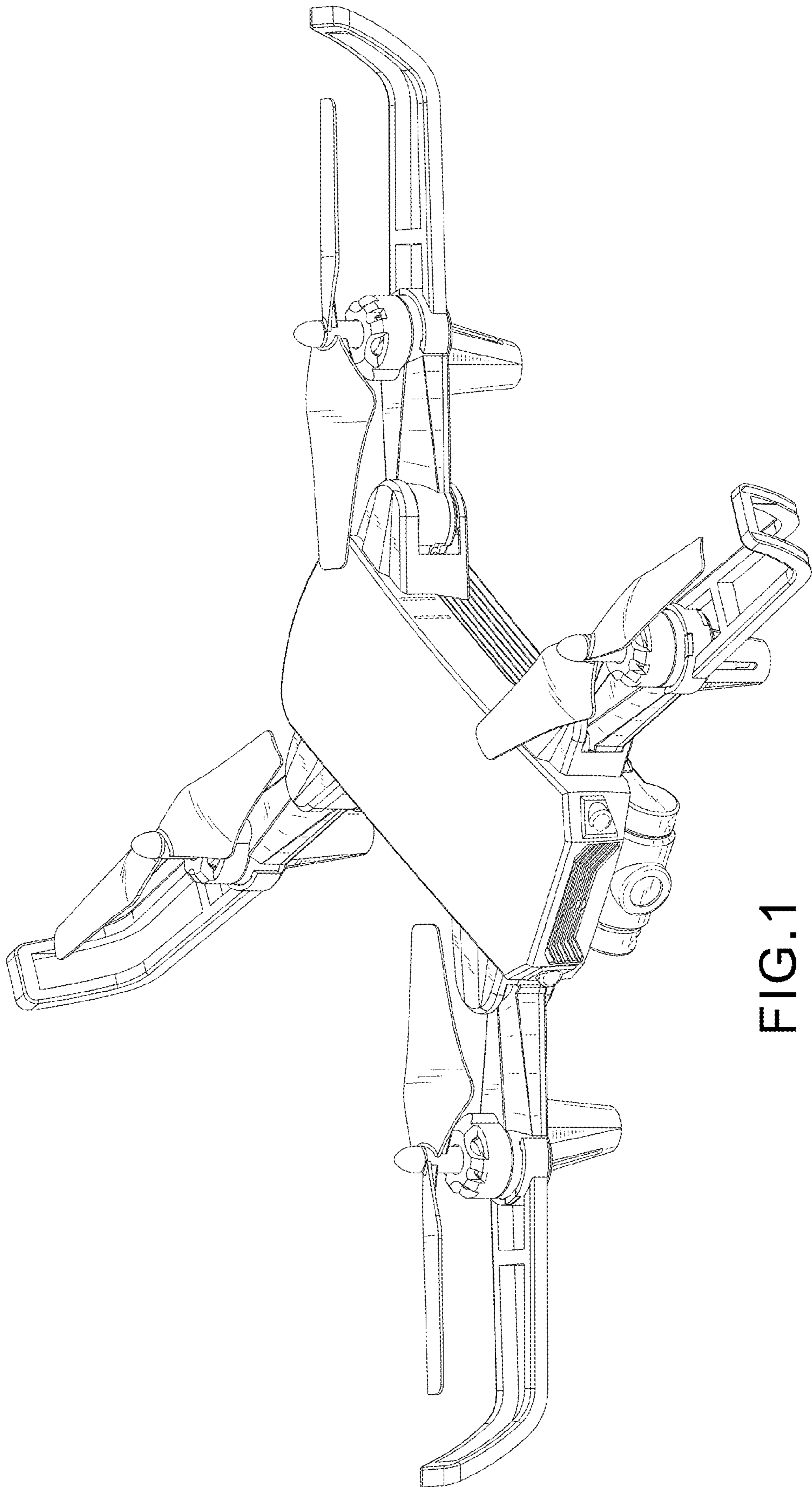


FIG.1

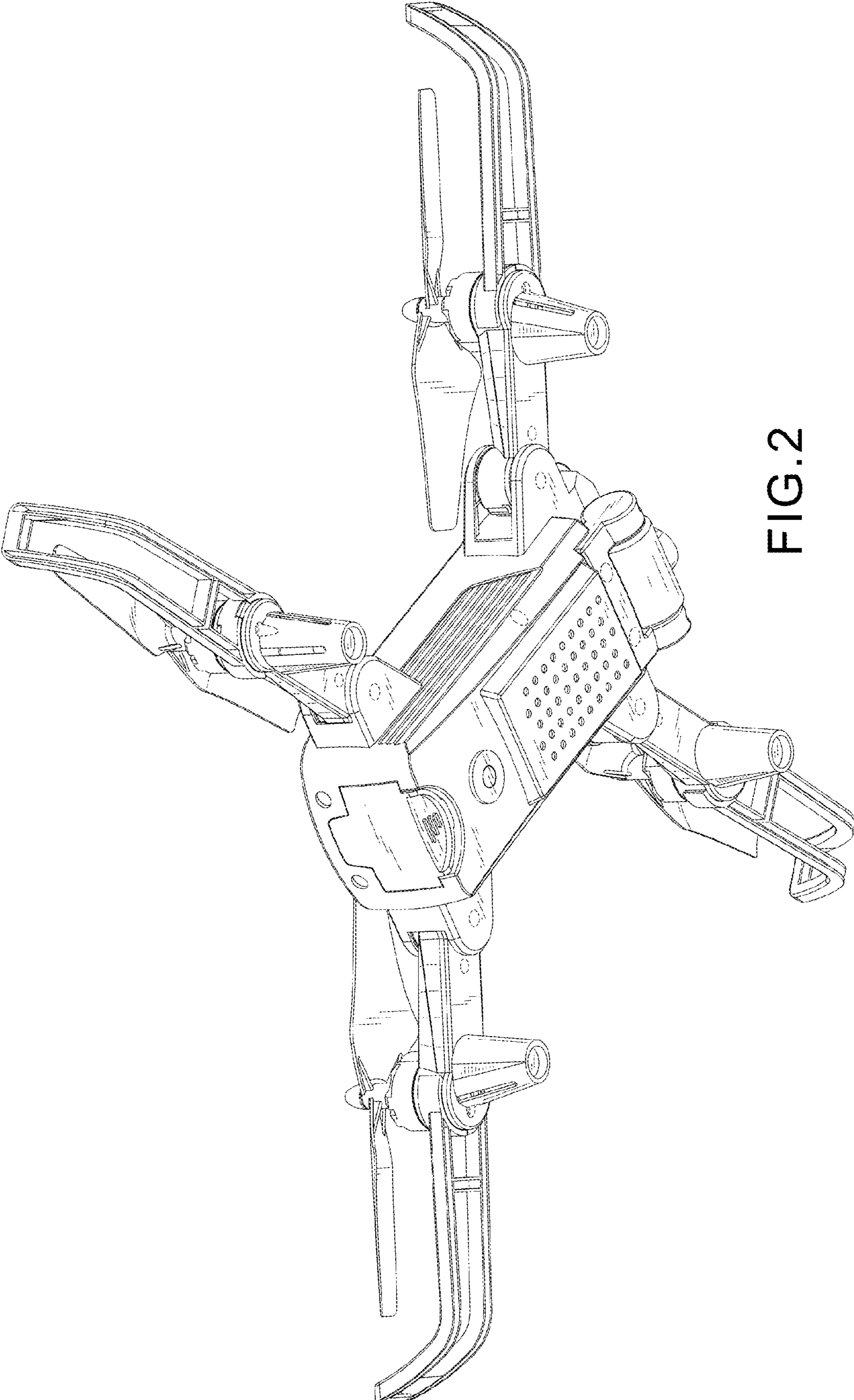


FIG. 2

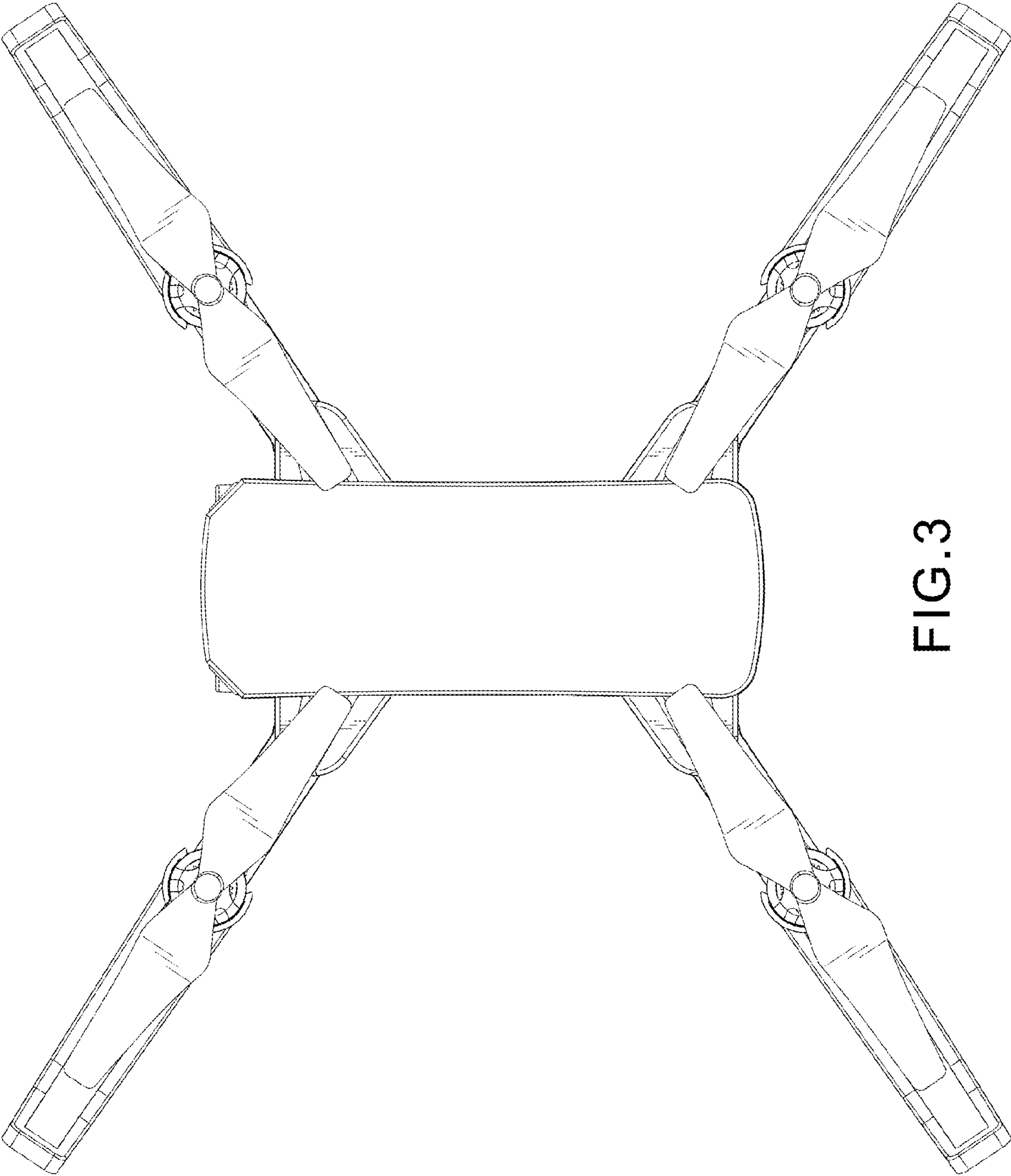


FIG. 3

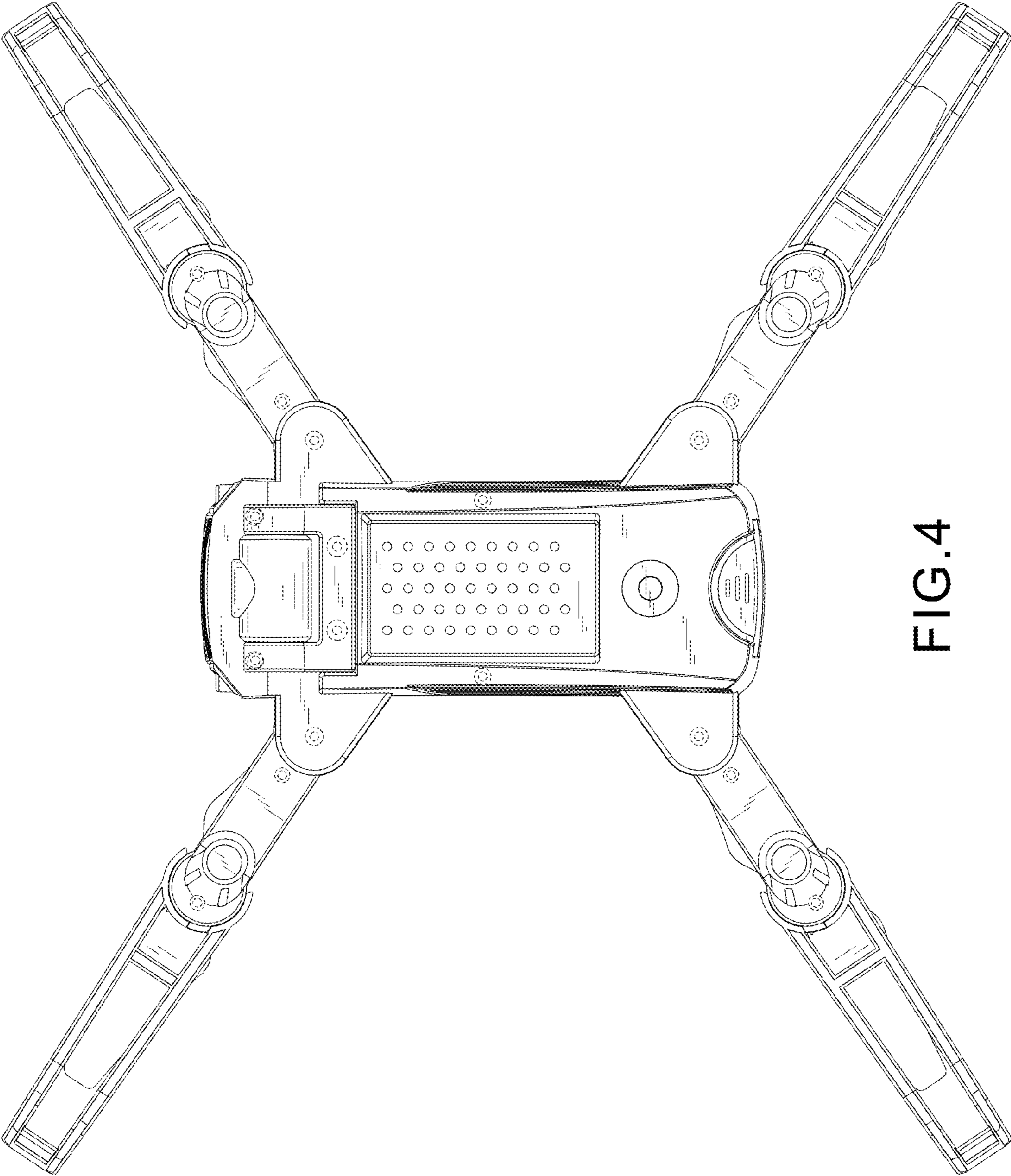


FIG.4

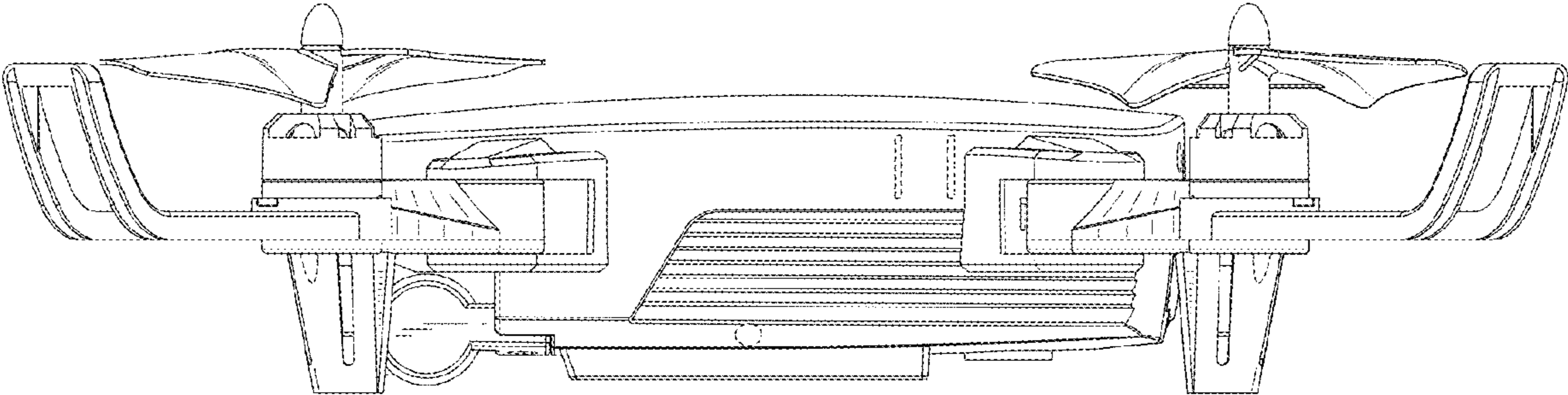


FIG. 5

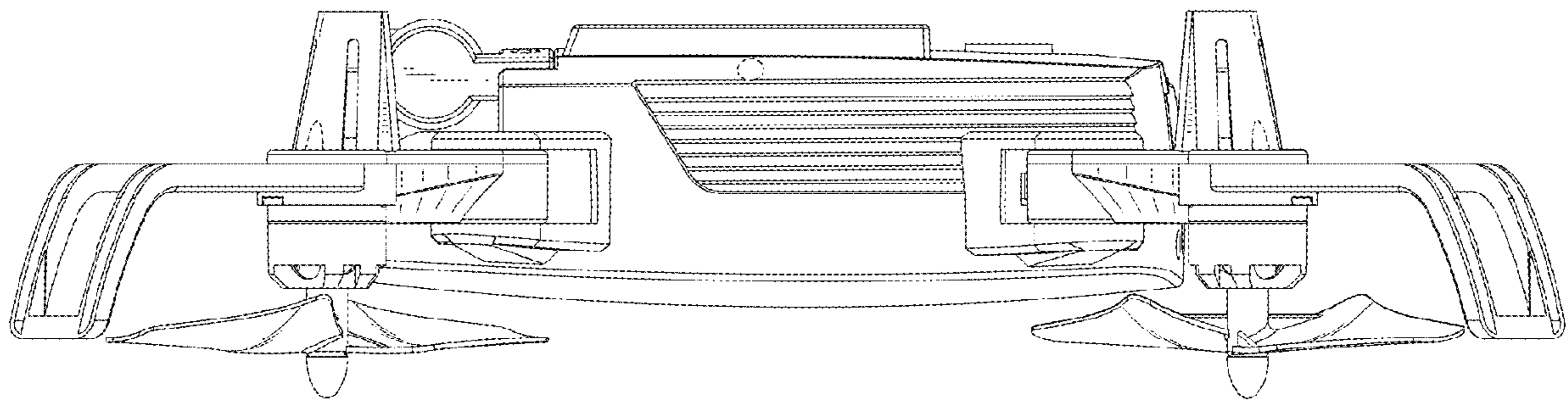


FIG. 6

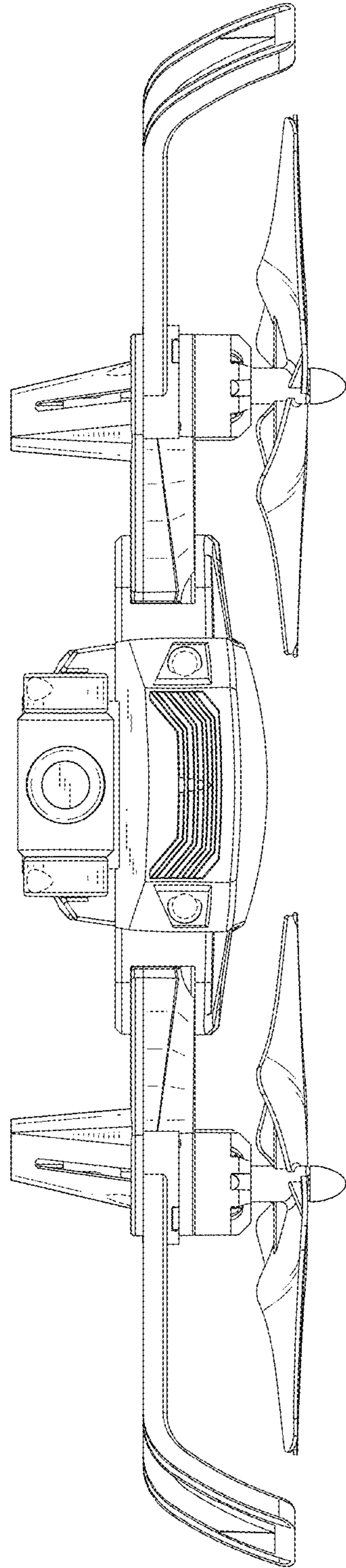


FIG. 7



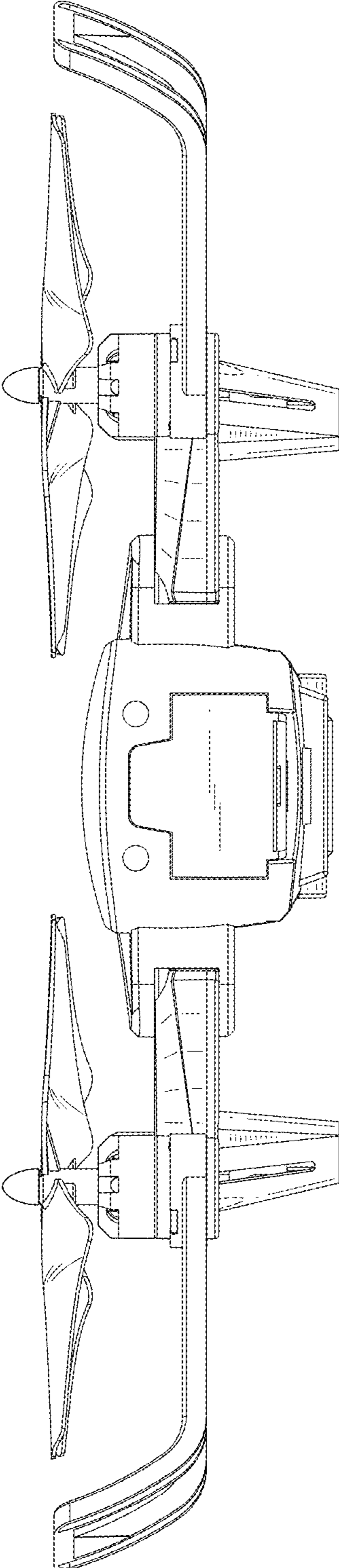


FIG. 8