

US00D951814S

(12) **United States Design Patent** (10) **Patent No.:** **US D951,814 S**  
**Cao** (45) **Date of Patent:** **\*\* May 17, 2022**

(54) **BUCKLE**  
(71) Applicant: **Senkang Cao**, Jiangsu (CN)  
(72) Inventor: **Senkang Cao**, Jiangsu (CN)  
(73) Assignee: **TAIZHOU SEN KANG PROTECTIVE EQUIPMENT FACTORY**, Taizhou (CN)

D410,958 S \* 6/1999 Curran ..... D2/639  
D519,715 S \* 5/2006 Curran ..... D2/639  
D672,281 S \* 12/2012 Schurian ..... D11/218  
D738,255 S \* 9/2015 Hortnagl ..... D11/218  
D790,780 S \* 6/2017 Strengell ..... D30/153  
D869,594 S \* 12/2019 Lance ..... D11/218  
D885,254 S \* 5/2020 Jiang ..... D11/218  
D903,528 S 12/2020 Gao  
D910,638 S 2/2021 Kuo  
D913,151 S 3/2021 Della Valle et al.  
D932,937 S \* 10/2021 Tabor ..... D11/218

(\*\*) Term: **15 Years**

**FOREIGN PATENT DOCUMENTS**

(21) Appl. No.: **29/781,025**  
(22) Filed: **Apr. 28, 2021**  
(51) **LOC (13) Cl.** ..... **02-07**  
(52) **U.S. Cl.**  
USPC ..... **D11/218**  
(58) **Field of Classification Search**  
USPC ..... D11/200, 201, 212, 214, 216, 218;  
D30/151, 152, 136, 140, 154;  
D2/627-639, 624; D29/100-101.5, 122  
CPC ..... A44B 11/00; A44B 11/001; A44B 11/005;  
A44B 11/006; A44B 11/02; A44B 11/04;  
A44B 11/18; A44B 11/20; A44B 11/226  
See application file for complete search history.

CN 306853056 \* 9/2021

\* cited by examiner

*Primary Examiner* — Michelle E. Wilson  
*Assistant Examiner* — Tracey J Bell

(57) **CLAIM**

The ornamental design for a buckle, as shown and described.

**DESCRIPTION**

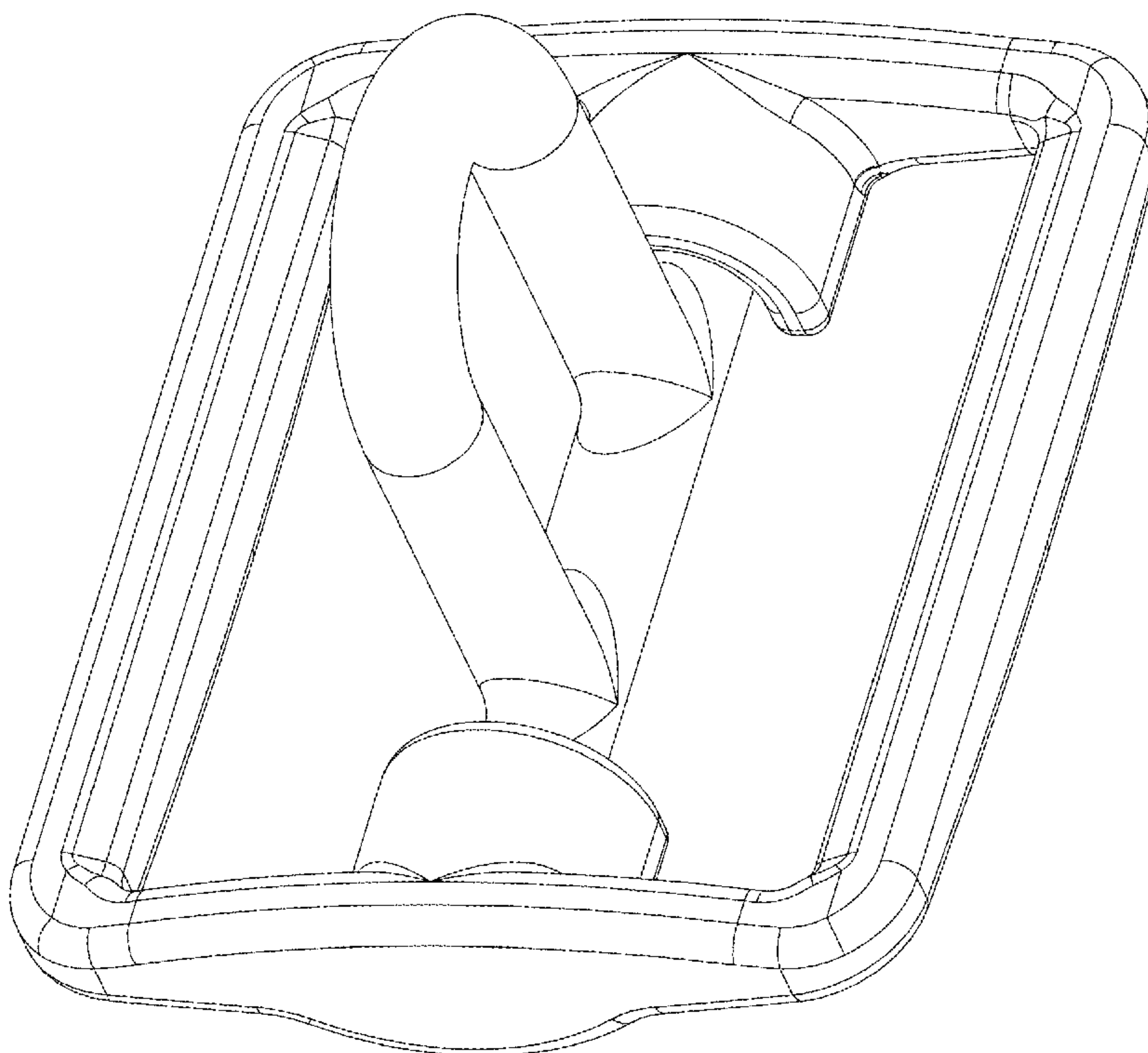
FIG. 1 is a top, front, left side perspective view of a buckle showing my new design;  
FIG. 2 is a bottom, rear, right side perspective view thereof;  
FIG. 3 is an enlarged front elevation view thereof, the rear elevation view being a mirror image of the front elevation view;  
FIG. 4 is a left side elevation view thereof, the right side elevation view being a mirror image of the left side elevation view;  
FIG. 5 is a top plan view thereof; and,  
FIG. 6 is a bottom plan view thereof.

(56) **References Cited**

**U.S. PATENT DOCUMENTS**

D284,521 S \* 7/1986 Forrest ..... D11/218  
D290,349 S \* 6/1987 Kasai ..... D11/218  
5,081,719 A \* 1/1992 Donnelly ..... A41F 9/005  
182/3  
D368,372 S \* 4/1996 Dennison ..... D3/318

**1 Claim, 6 Drawing Sheets**



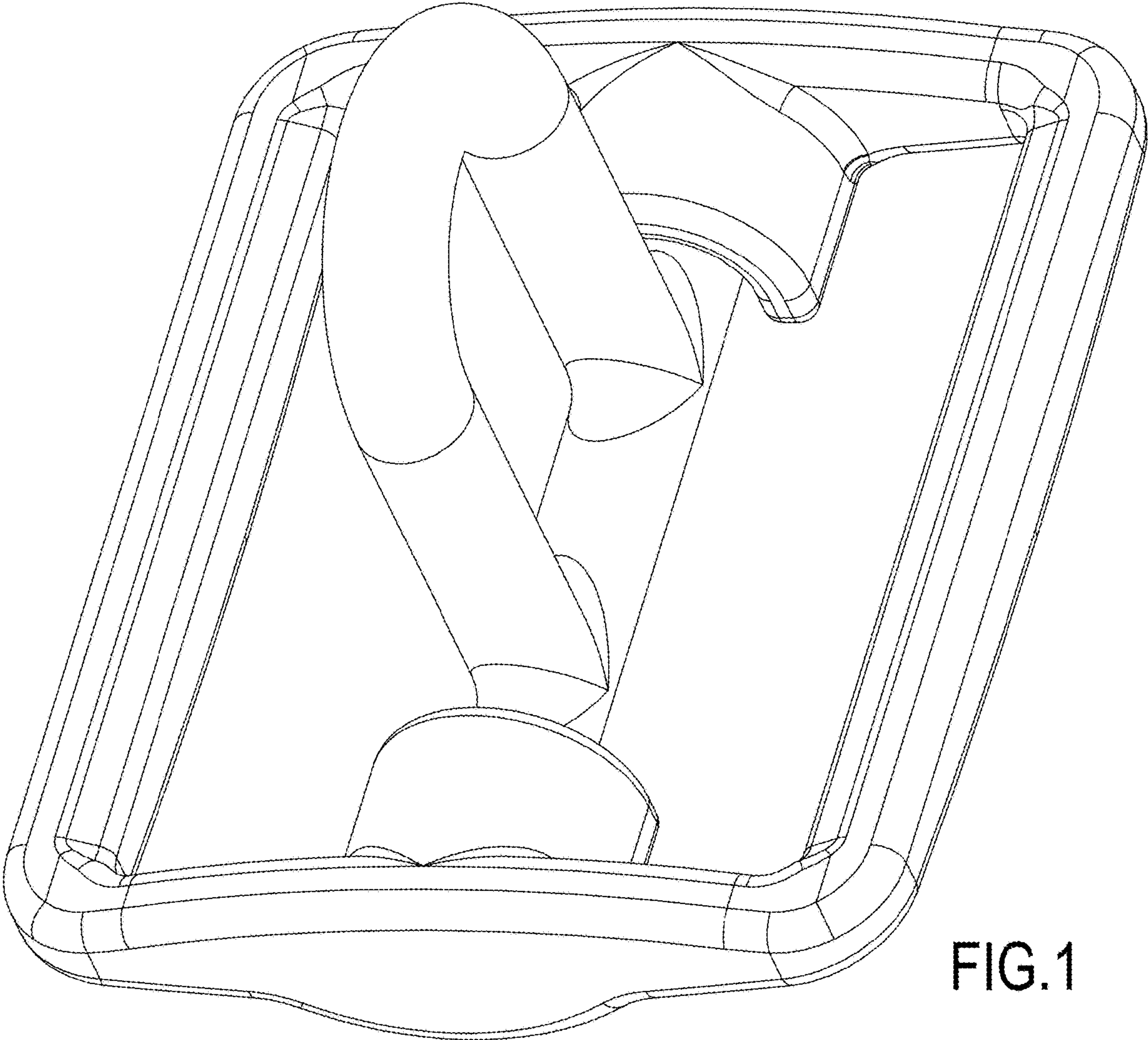
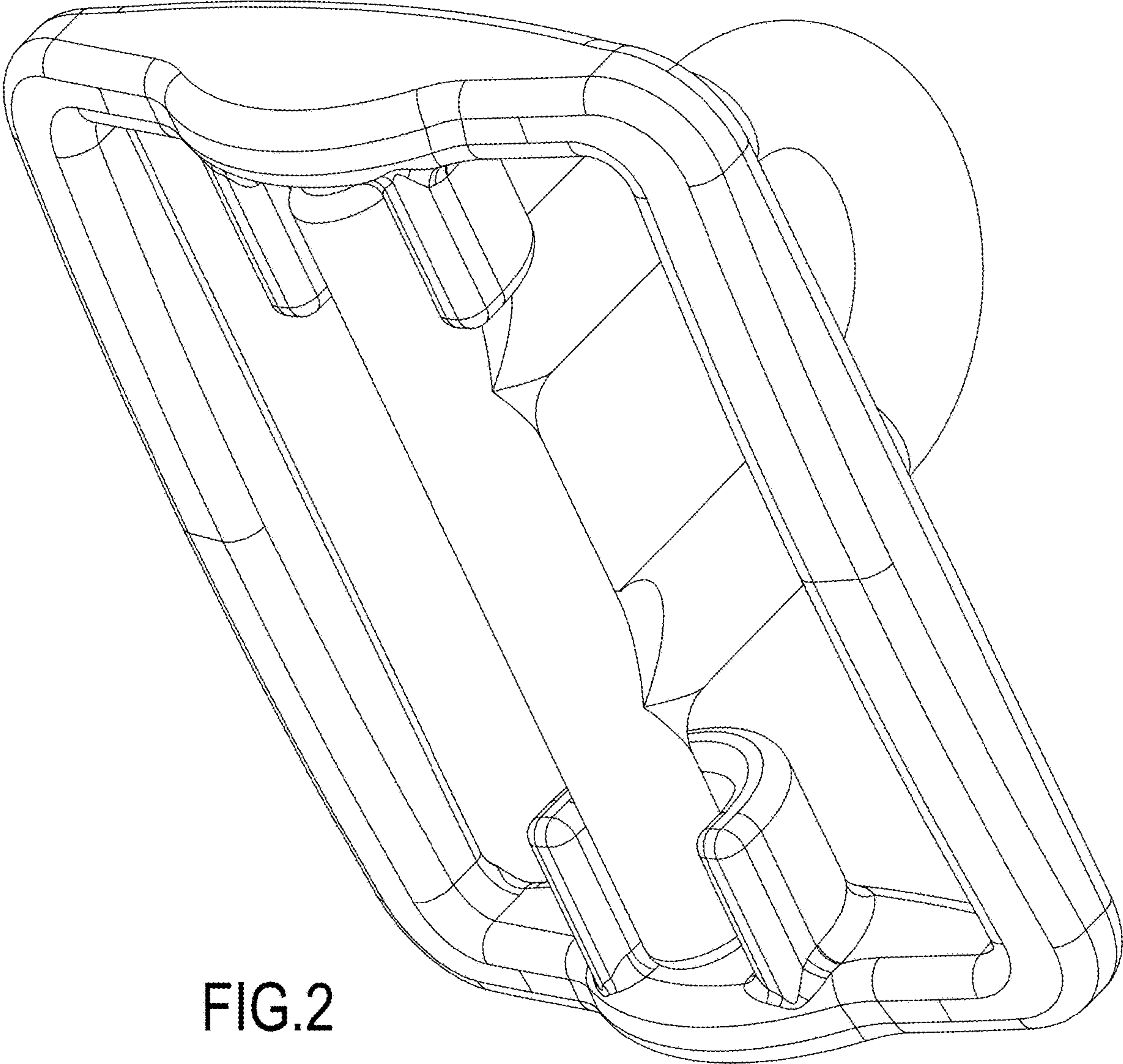


FIG. 1





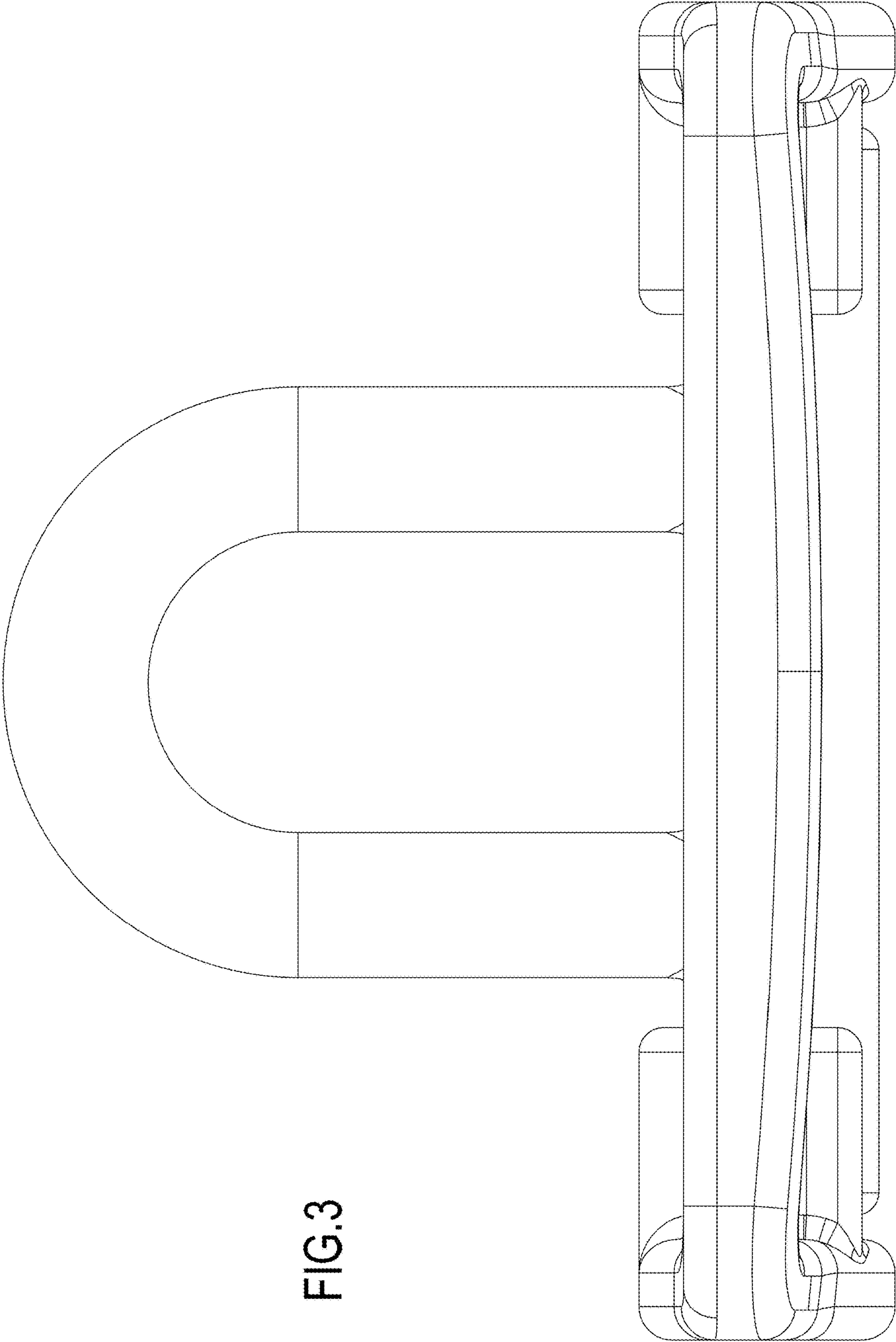


FIG.3

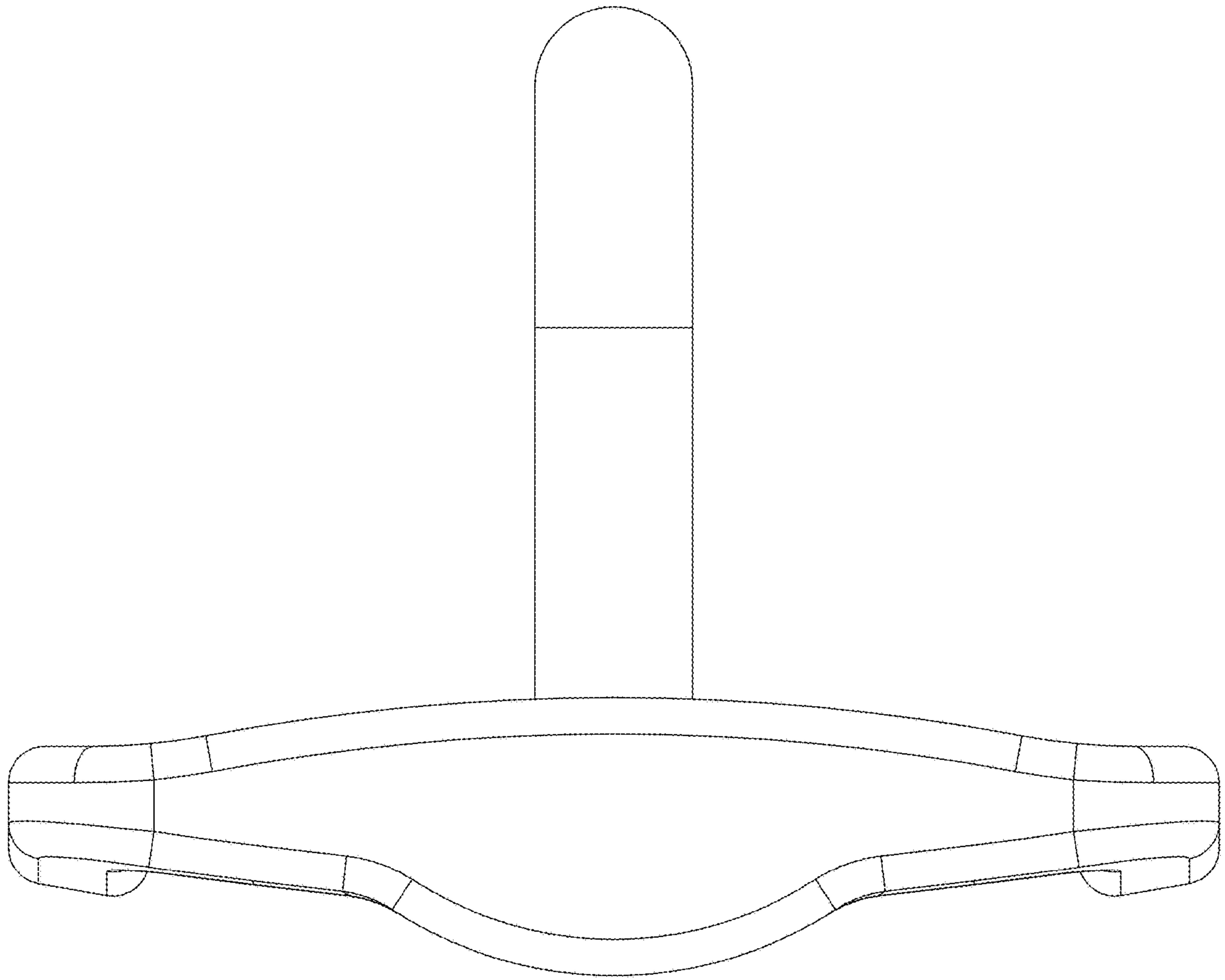


FIG.4

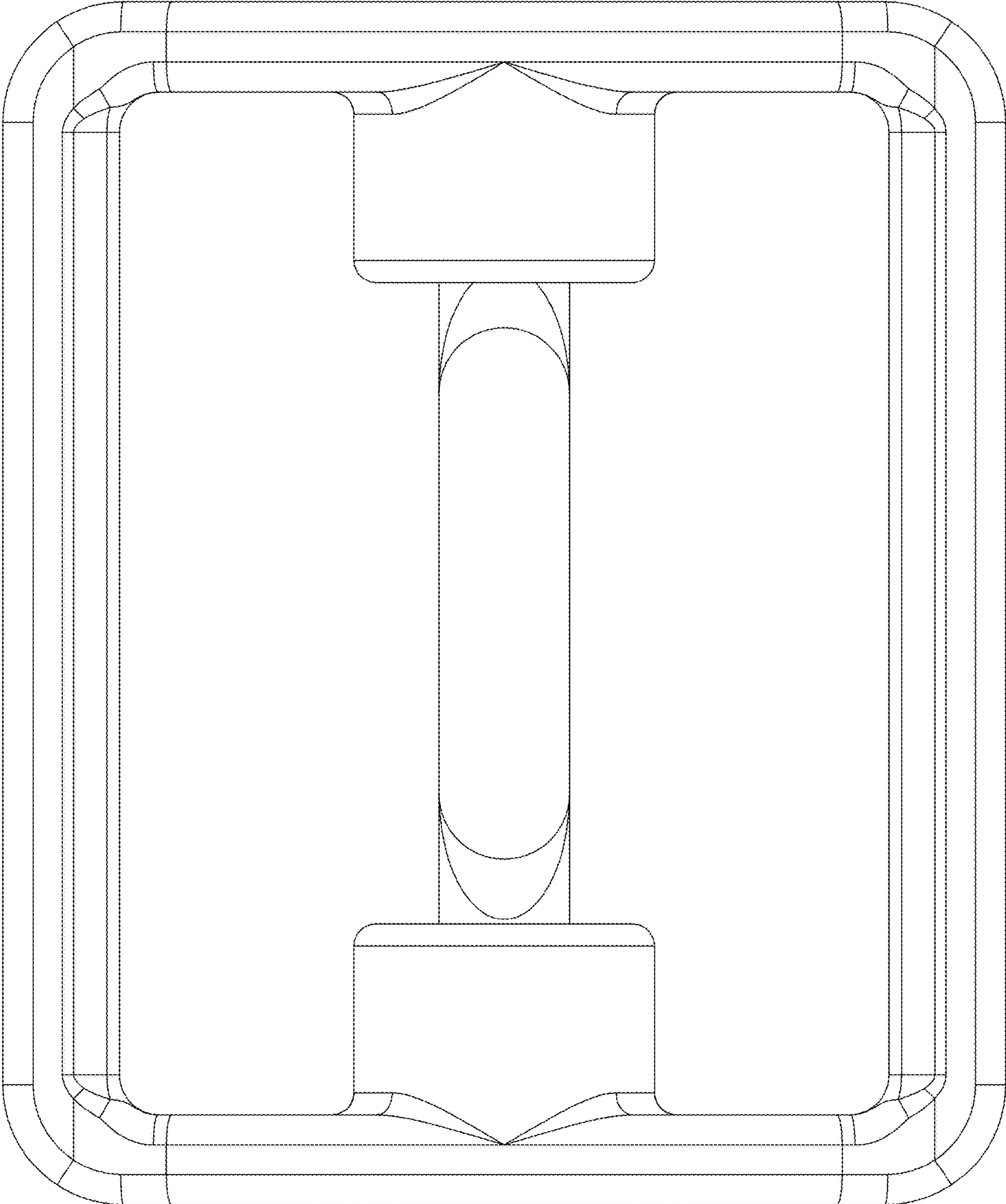


FIG.5

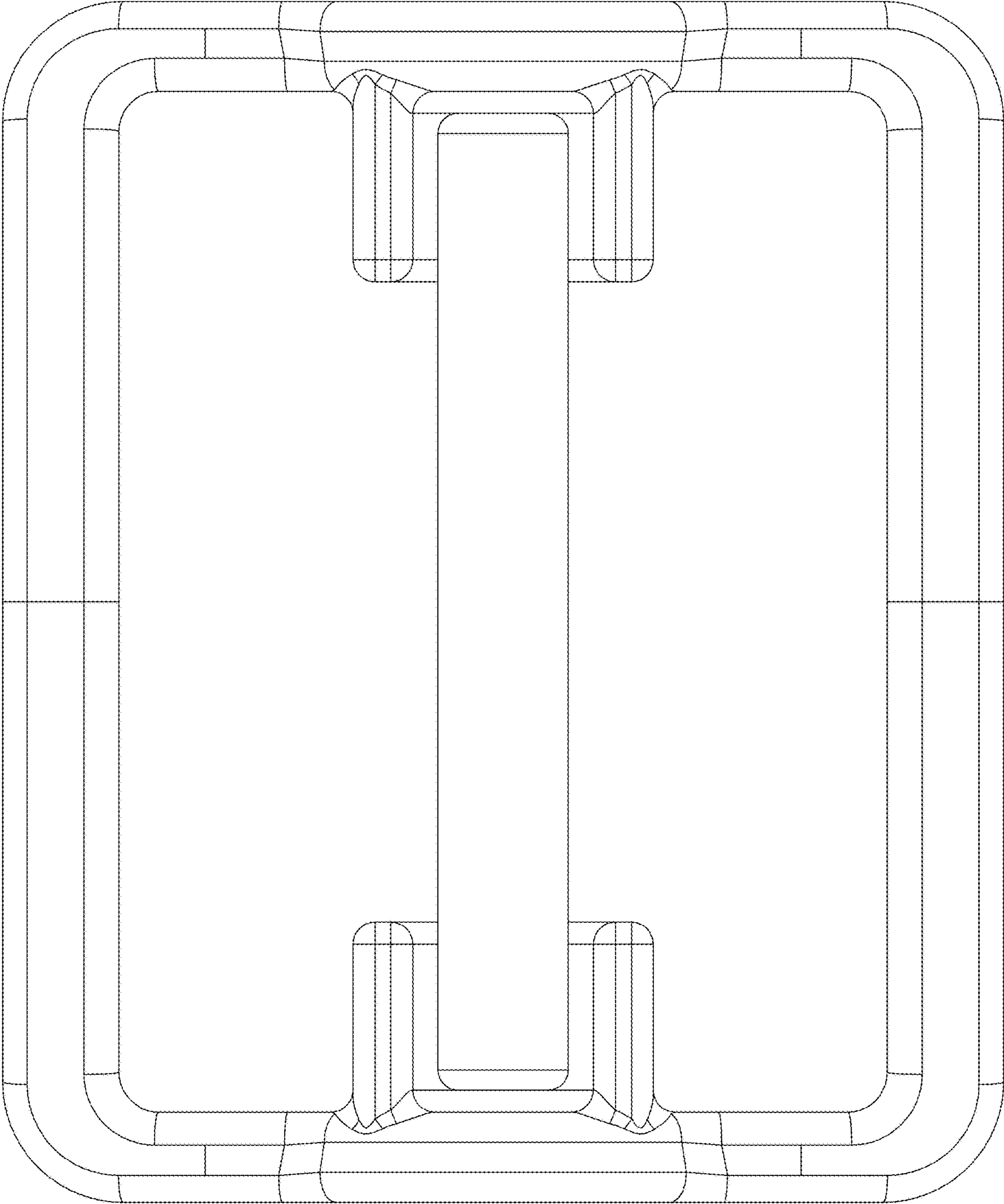


FIG.6