



US00D951813S

(12) **United States Design Patent**
Vaccarello

(10) **Patent No.:** **US D951,813 S**
(45) **Date of Patent:** **** May 17, 2022**

(54) **CLASP**

(71) Applicant: **YVES SAINT LAURENT**, Paris (FR)

(72) Inventor: **Anthony Vaccarello**, Paris (FR)

(73) Assignee: **YVES SAINT LAURENT**, Paris (FR)

(**) Term: **15 Years**

(21) Appl. No.: **29/699,273**

(22) Filed: **Jul. 24, 2019**

(30) **Foreign Application Priority Data**

Jul. 23, 2019 (EM) 006644191-0002

(51) **LOC (13) Cl.** **02-07**

(52) **U.S. Cl.**
USPC **D11/200; D3/318**

(58) **Field of Classification Search**
USPC D11/201, 212, 215, 216, 218, 200,
D11/208-210, 214, 220; D3/232, 243,
D3/318, 324; D8/315, 319, 320, 349,
D8/382

CPC A45C 3/06; A45C 13/1084; A45C 13/06;
A45C 13/08; A45C 13/14

See application file for complete search history.

(56) **References Cited**

U.S. PATENT DOCUMENTS

D29,152 S	*	8/1898	Morton	D11/210
D110,214 S	*	6/1938	Hazenber	D8/319
D121,754 S	*	7/1940	Pichel	D8/342
D179,941 S	*	3/1957	Heyer	D8/319
D532,200 S	*	11/2006	Gonzalez	D3/326
D572,485 S	*	7/2008	Gonzalez	D3/318
D696,017 S	*	12/2013	Lagerfeld	D3/318
D698,145 S	*	1/2014	Deneve	D3/243
D722,530 S	*	2/2015	de Sade	D11/200
D754,437 S	*	4/2016	Hannon	D3/318
D858,094 S	*	9/2019	Gombert-Duclos	D3/243
D864,574 S	*	10/2019	Rahardjo	D3/324

(Continued)

FOREIGN PATENT DOCUMENTS

CN 305623239 * 2/2021
JP D1484303 * 11/2013

OTHER PUBLICATIONS

Amazon Meprota 4 Set Square Clasp, no date available, [online], [site visited Jan. 15, 2021]. Retrieved from url:https://www.amazon.com/Meprota-Clutches-Decorative-Hardware-Shoulder/dp/B08HD49KS5/ref=sr_1_79?dchild=1&keywords=purse%2Bclosure&qid=1610719771&sr=8-79&th=1 (Year: 2021).*

(Continued)

Primary Examiner — Wendy L Arminio

Assistant Examiner — Tracey J Bell

(74) *Attorney, Agent, or Firm* — Rothwell, Figg, Ernst & Manbeck, P.C.

(57) **CLAIM**

The ornamental design for a clasp, as shown and described.

DESCRIPTION

FIG. 1 is a front right perspective view of a clasp showing my new design;

FIG. 2 is a front view thereof;

FIG. 3 is a rear view thereof;

FIG. 4 is a right side view thereof;

FIG. 5 is a left side view thereof;

FIG. 6 is a top view thereof;

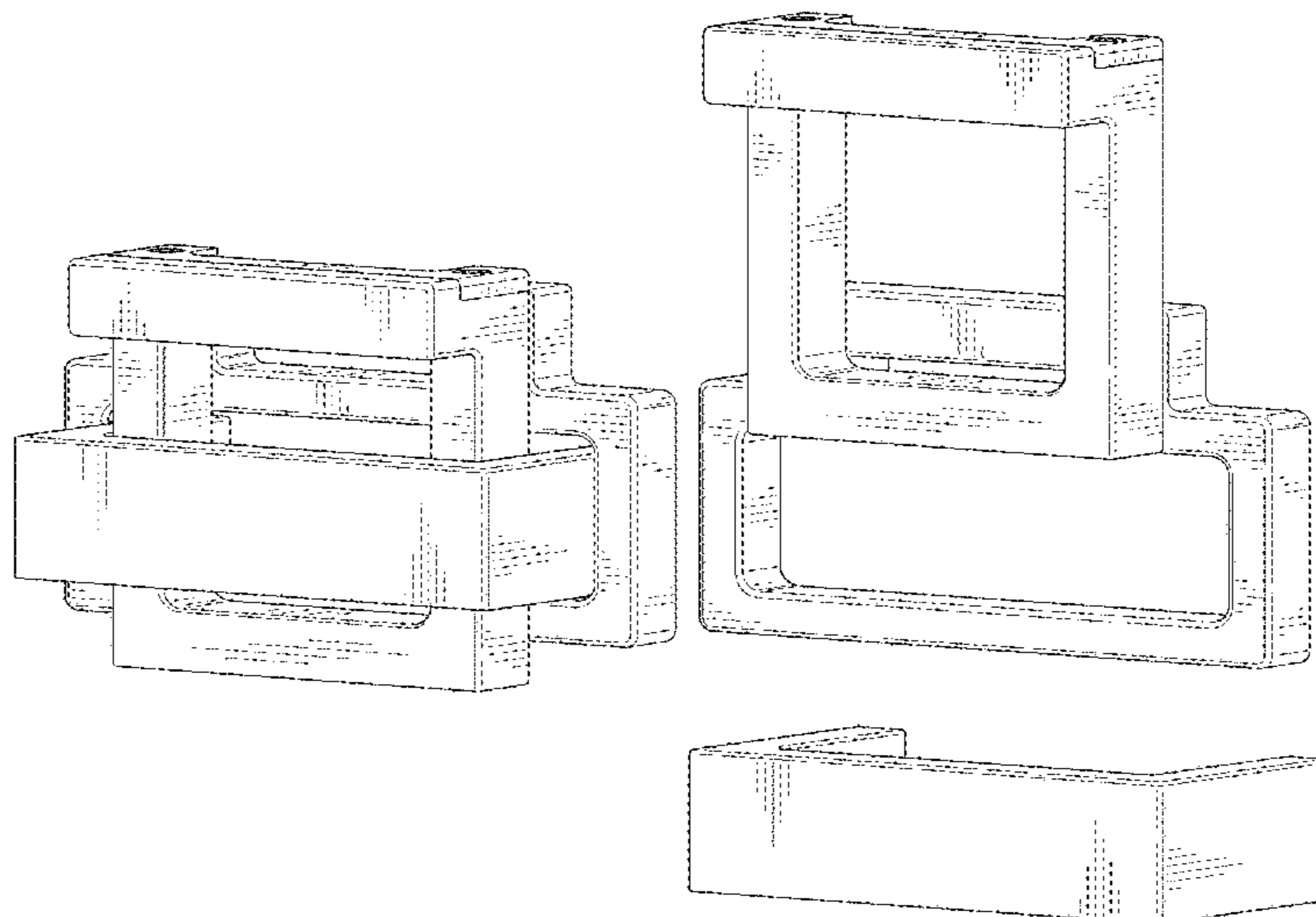
FIG. 7 is a bottom view thereof;

FIG. 8 is a front right perspective view of a clasp in open position thereof; and,

FIG. 9 is a front right perspective view of a handbag and clasp thereof.

The handbag shown in broken lines in FIG. 9 depicts environmental subject matter that forms no part of the claimed design.

1 Claim, 6 Drawing Sheets



(56)

References Cited

U.S. PATENT DOCUMENTS

D866,289 S * 11/2019 Rickenbaugh D8/319
D913,770 S * 3/2021 Kenny D8/315
D917,169 S * 4/2021 Amiri D3/318

OTHER PUBLICATIONS

Le Pavé satchel, no date available, [online], [site visited Sep. 10, 2021], Retrieved from url:<https://www.ysl.com/en-US/shoulder-bags/le-pave-satchel-in-smooth-leather-6571862VL0N2725.html> (Year: 2021).*

* cited by examiner

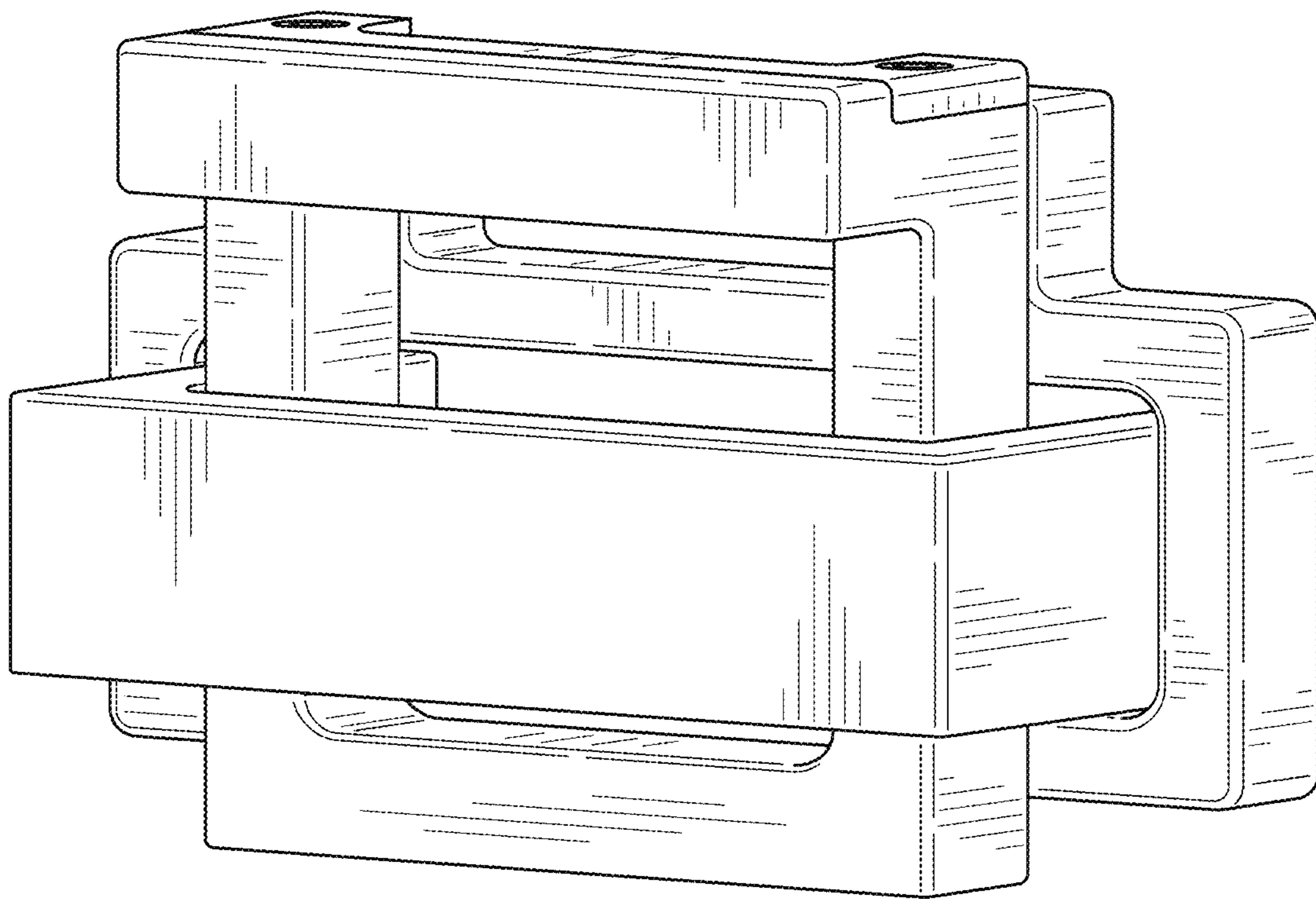


FIG. 1

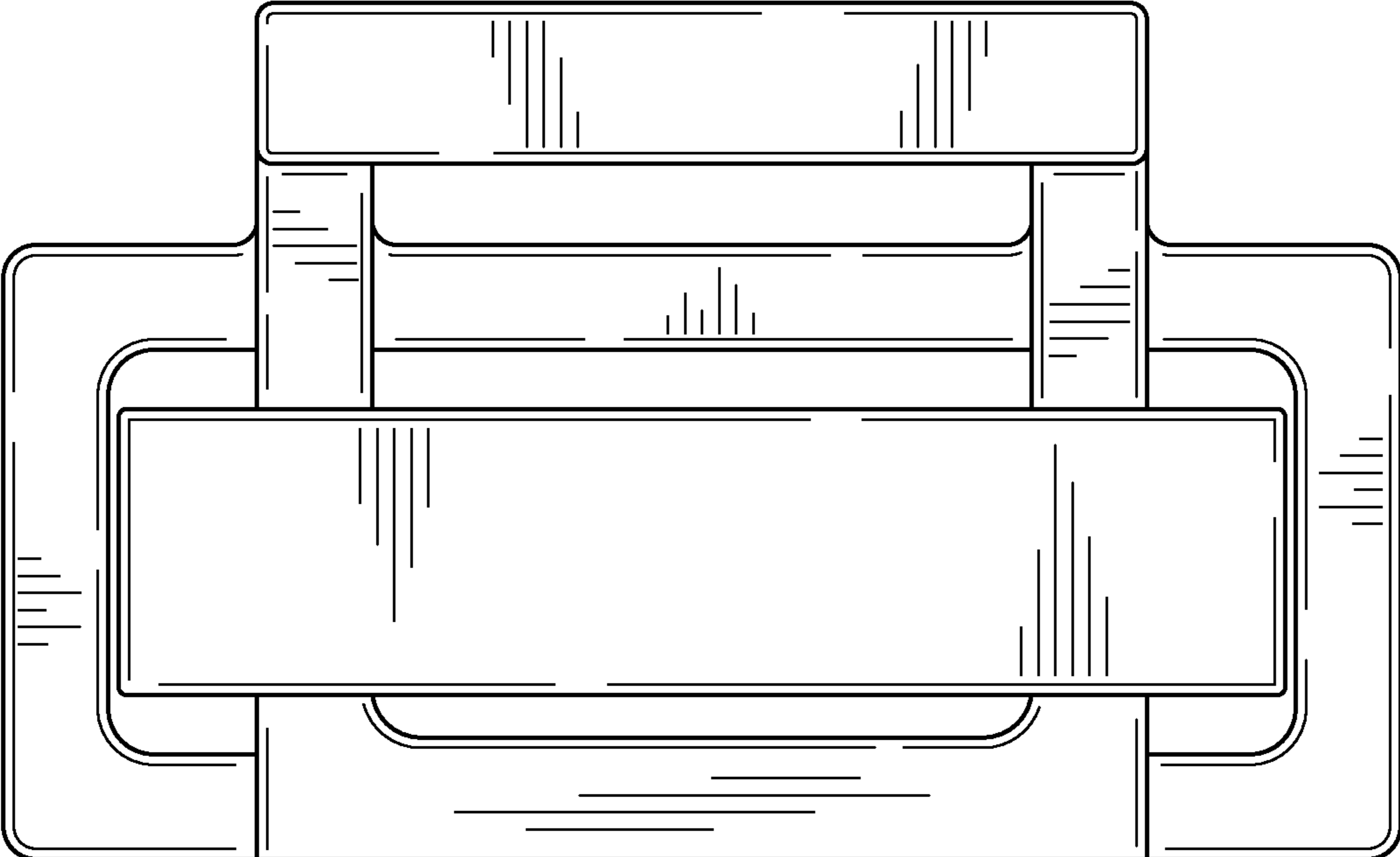


FIG. 2

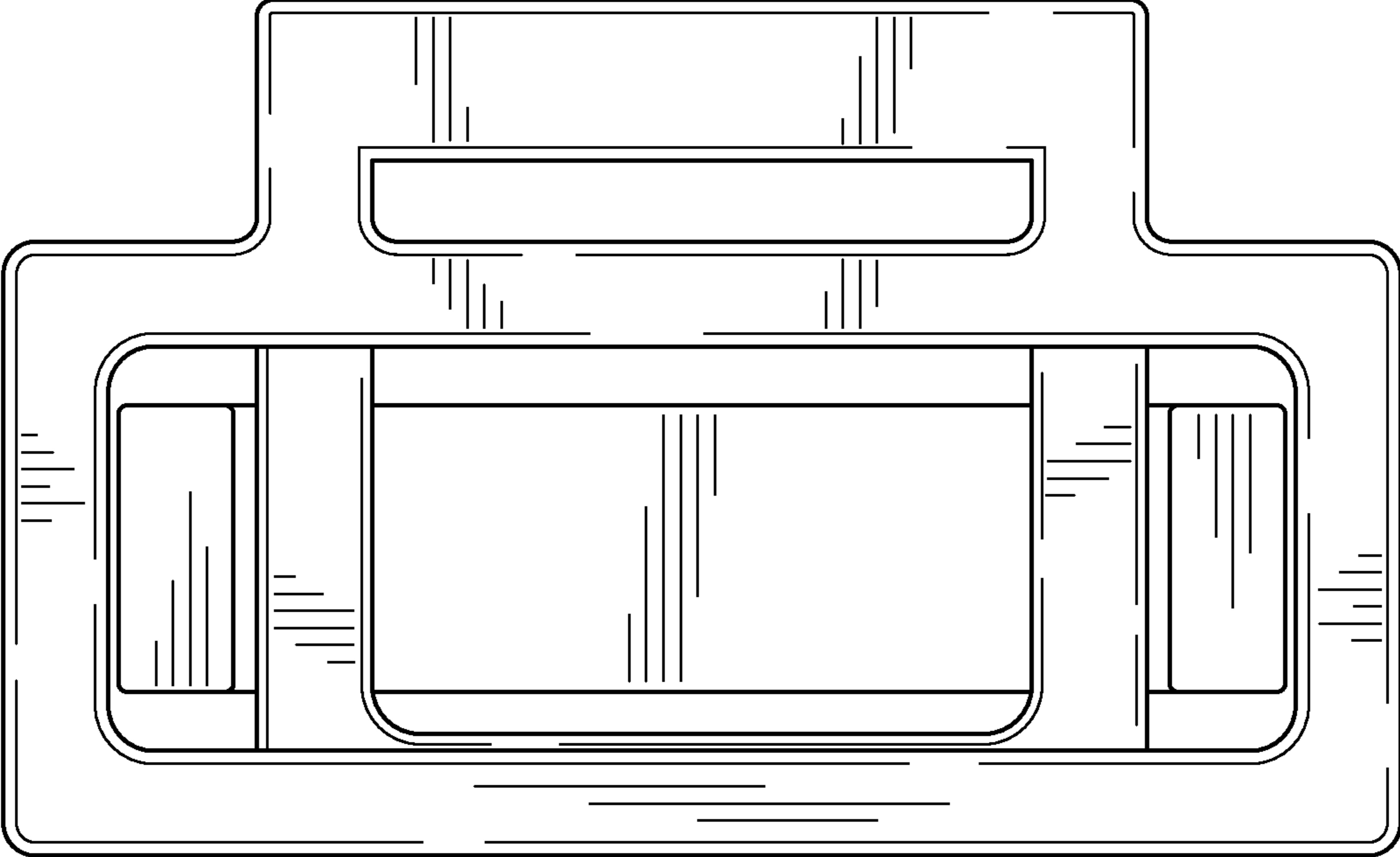


FIG. 3

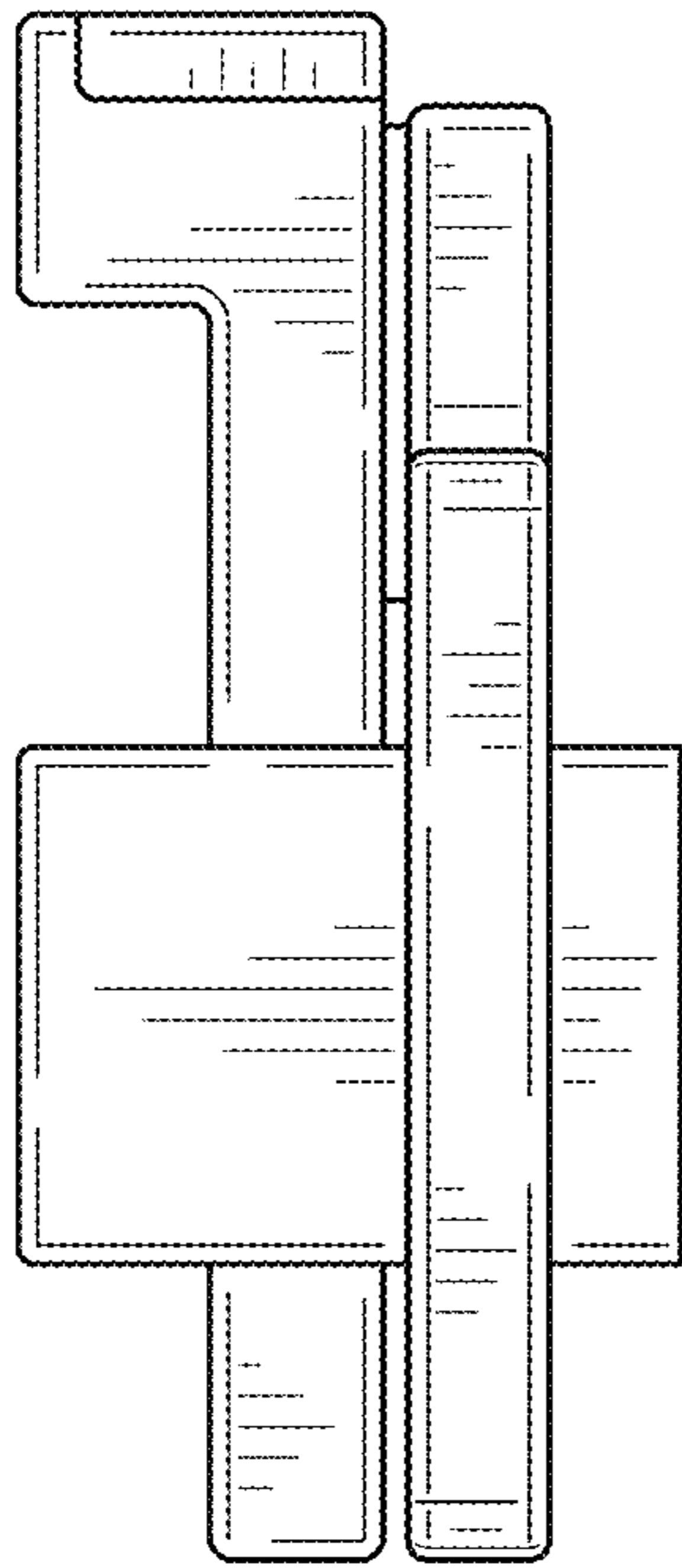


FIG. 4

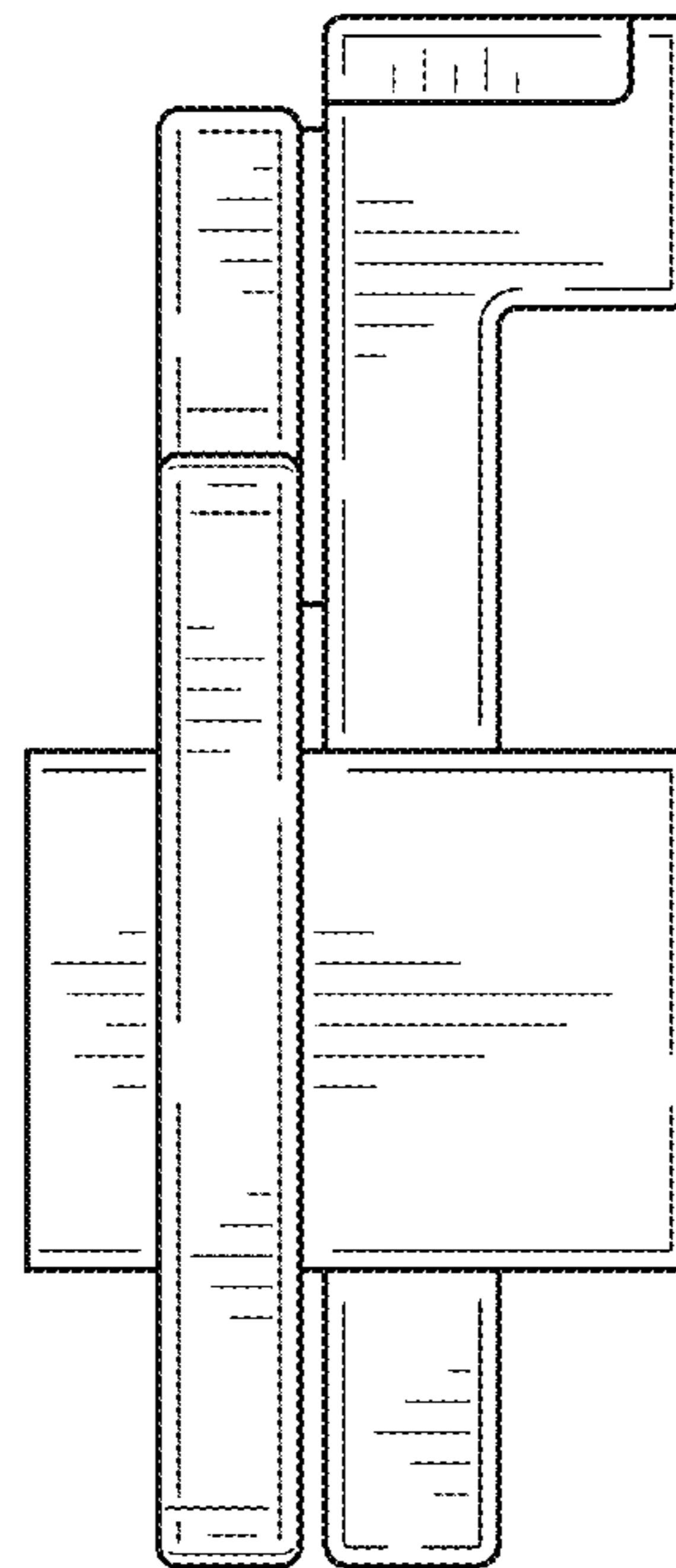


FIG. 5

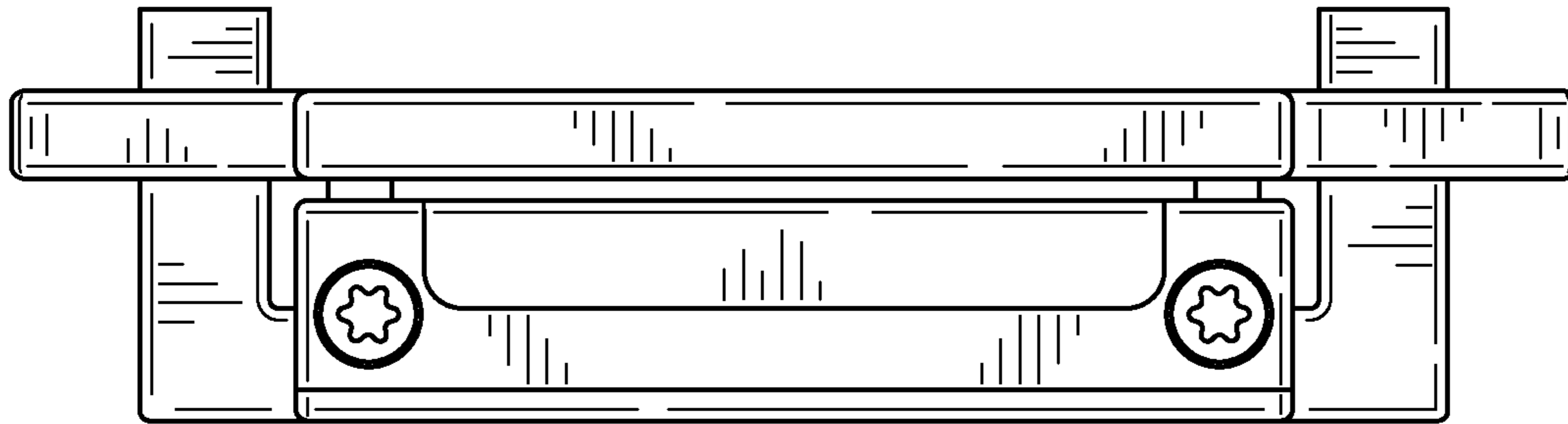


FIG. 6

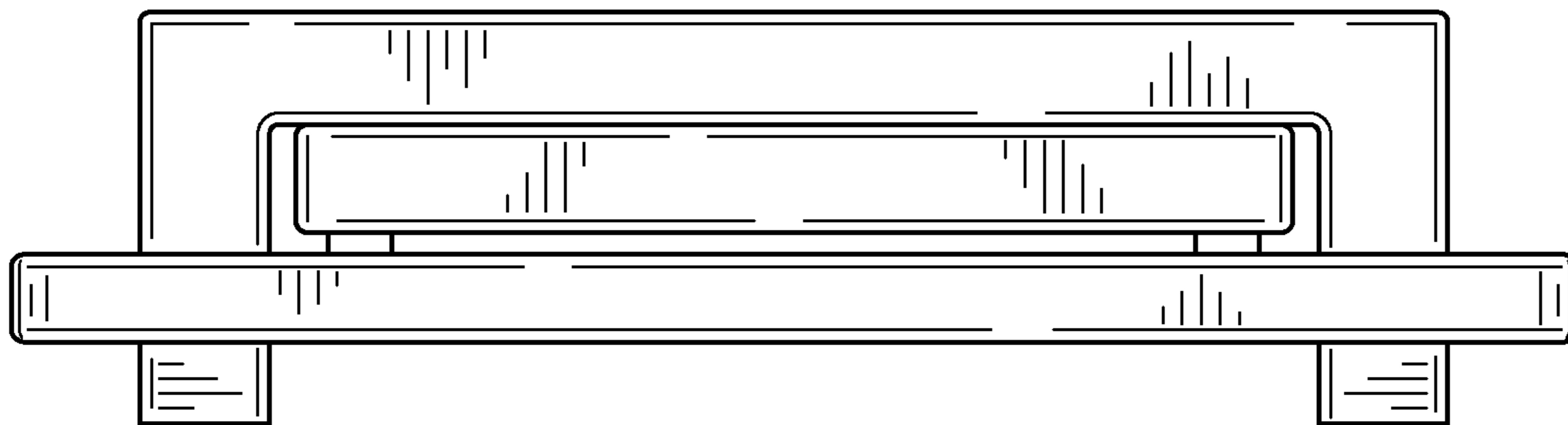


FIG. 7

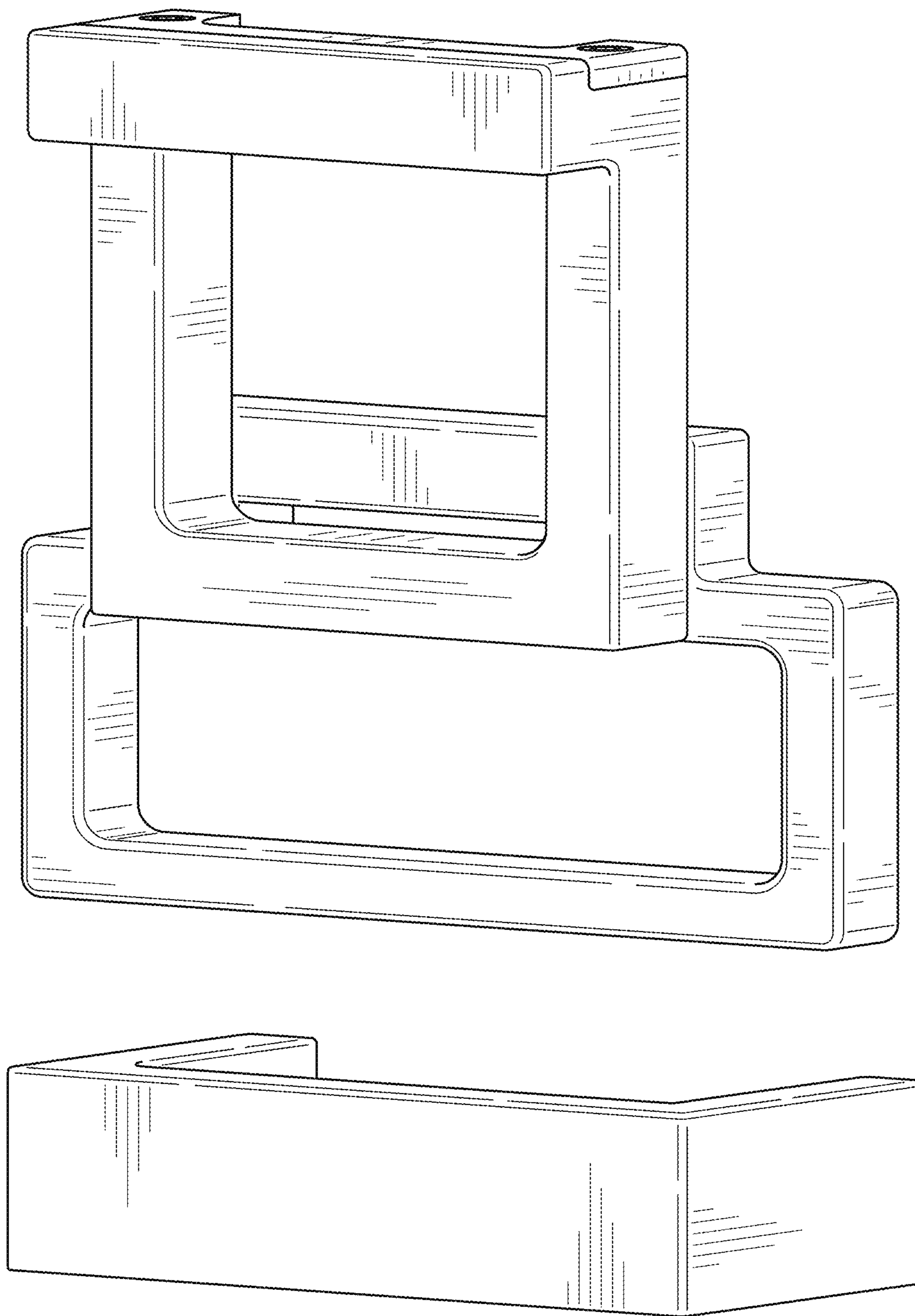


FIG. 8



FIG. 9