



US00D951812S

(12) **United States Design Patent** (10) **Patent No.:** **US D951,812 S**  
**Tao** (45) **Date of Patent:** **\*\* May 17, 2022**

(54) **FLAGPOLE**

(71) Applicant: **Yueyuan Zhong**, Ganzhou (CN)

(72) Inventor: **Fengshan Tao**, Liu'an (CN)

(73) Assignee: **Yueyuan Zhong**, Ganzhou (CN)

(\*\*) Term: **15 Years**

(21) Appl. No.: **29/797,111**

(22) Filed: **Jun. 29, 2021**

(51) **LOC (13) Cl.** ..... **11-05**

(52) **U.S. Cl.**  
USPC ..... **D11/181**

(58) **Field of Classification Search**  
USPC ..... D8/373, 376, 380; D11/165, 166, 171,  
D11/181, 182, 183, 184; D20/16, 17, 41,  
D20/42; D21/840; D22/147, 148  
CPC ..... G09F 17/00; G09F 2017/0008; G09F  
2017/0025; G09F 2017/0041; G09F  
2017/005; G09F 2017/0066; G09F  
2017/0075; G09F 2017/0083  
See application file for complete search history.

(56) **References Cited**

**U.S. PATENT DOCUMENTS**

D385,508 S *	10/1997	Regier	.....	D11/182
D499,666 S *	12/2004	Ciaccia	.....	D11/181
D526,929 S *	8/2006	Barrett	.....	D12/114
D535,584 S *	1/2007	Garrett	.....	D11/181
D540,713 S *	4/2007	Stegmann	.....	D11/181
D600,754 S *	9/2009	Flanagan	.....	D20/41
D789,272 S	6/2017	Leptien et al.		
D896,693 S *	9/2020	Jennings, Jr.	.....	D11/181
D929,896 S *	9/2021	Zheng	.....	D11/182
2005/0199176 A1 *	9/2005	Orton	.....	G09F 17/00 116/174
2019/0251880 A1 *	8/2019	Klevana	.....	G09F 17/00
2021/0192993 A1 *	6/2021	Garcia	.....	G09F 17/00
2021/0375168 A1 *	12/2021	D'Amico	.....	G09F 17/0091

**FOREIGN PATENT DOCUMENTS**

CN	306628384	*	6/2021	
CN	307168226	*	3/2022	
KR	1544355 B1	*	8/2015	..... G09F 17/00

**OTHER PUBLICATIONS**

Flag Pole for House [online], [site visited Mar. 23, 2022]. Available from internet, URL: <<https://www.amazon.com/dp/B08YRLLHZ6?tag=ftb-seller-20&th=1>> (Year: 2021).\*

\* cited by examiner

*Primary Examiner* — Cynthia Ramirez  
*Assistant Examiner* — Xavier Marti-Santos

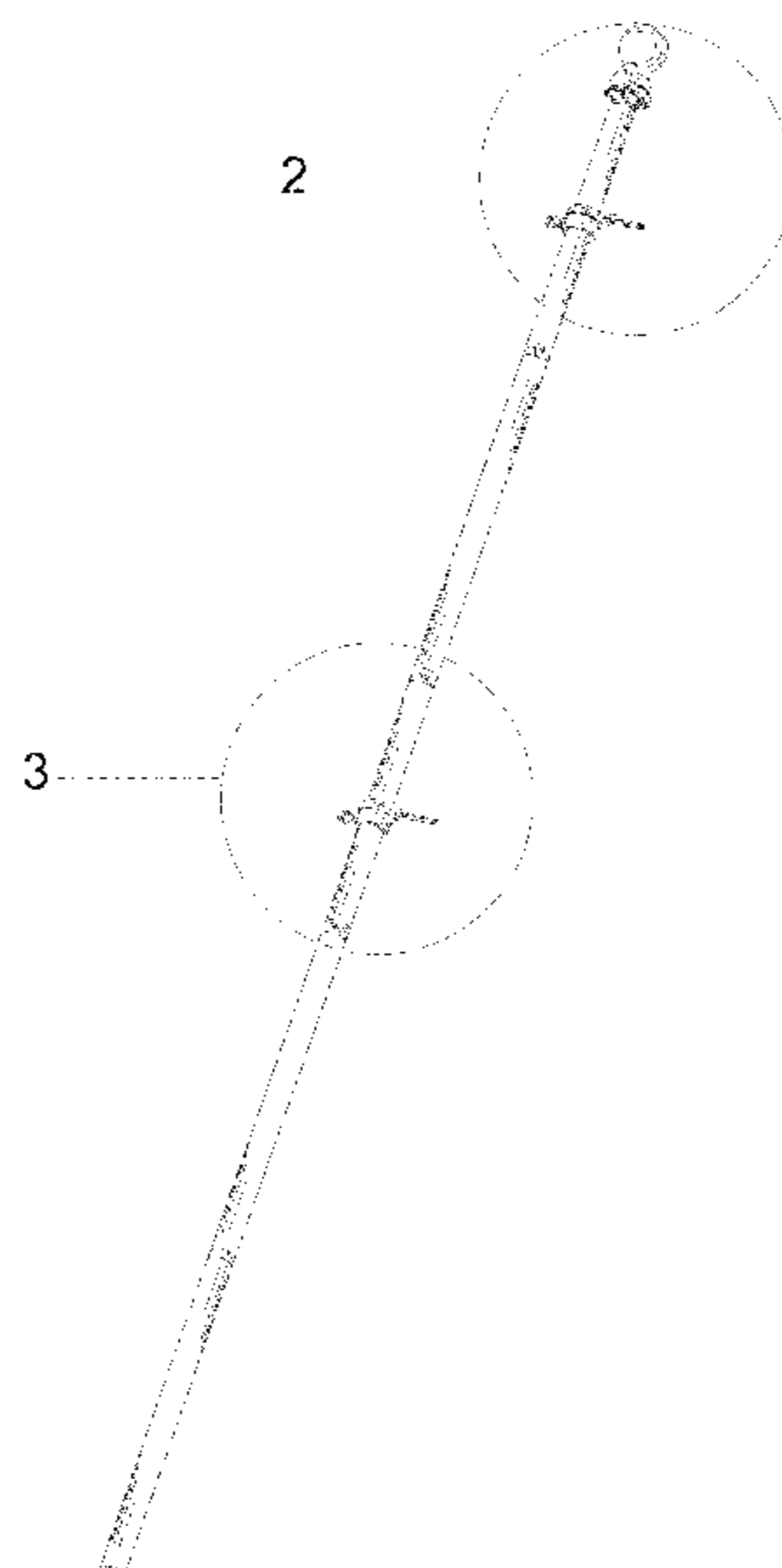
(57) **CLAIM**

The ornamental design for a flagpole, as shown and described.

**DESCRIPTION**

FIG. 1 is a perspective view of a flagpole showing my new design;  
FIG. 2 is an enlarged view of portion of FIG. 1;  
FIG. 3 is an enlarged view of portion of FIG. 1;  
FIG. 4 is a front view thereof;  
FIG. 5 is a rear view thereof;  
FIG. 6 is a left side view thereof;  
FIG. 7 is a right side view thereof;  
FIG. 8 is a top plan view thereof; and  
FIG. 9 is a bottom plan view thereof.  
FIG. 10 is an enlarged view of portion of FIG. 4;  
FIG. 11 is an exploded view thereof;  
FIG. 12 is an enlarged view of portion of FIG. 11; and,  
FIG. 13 is an enlarged view of portion of FIG. 11.  
The dash-dot broken lines in the figures are demarcating enlarged areas and form no part of the claimed design.

**1 Claim, 13 Drawing Sheets**



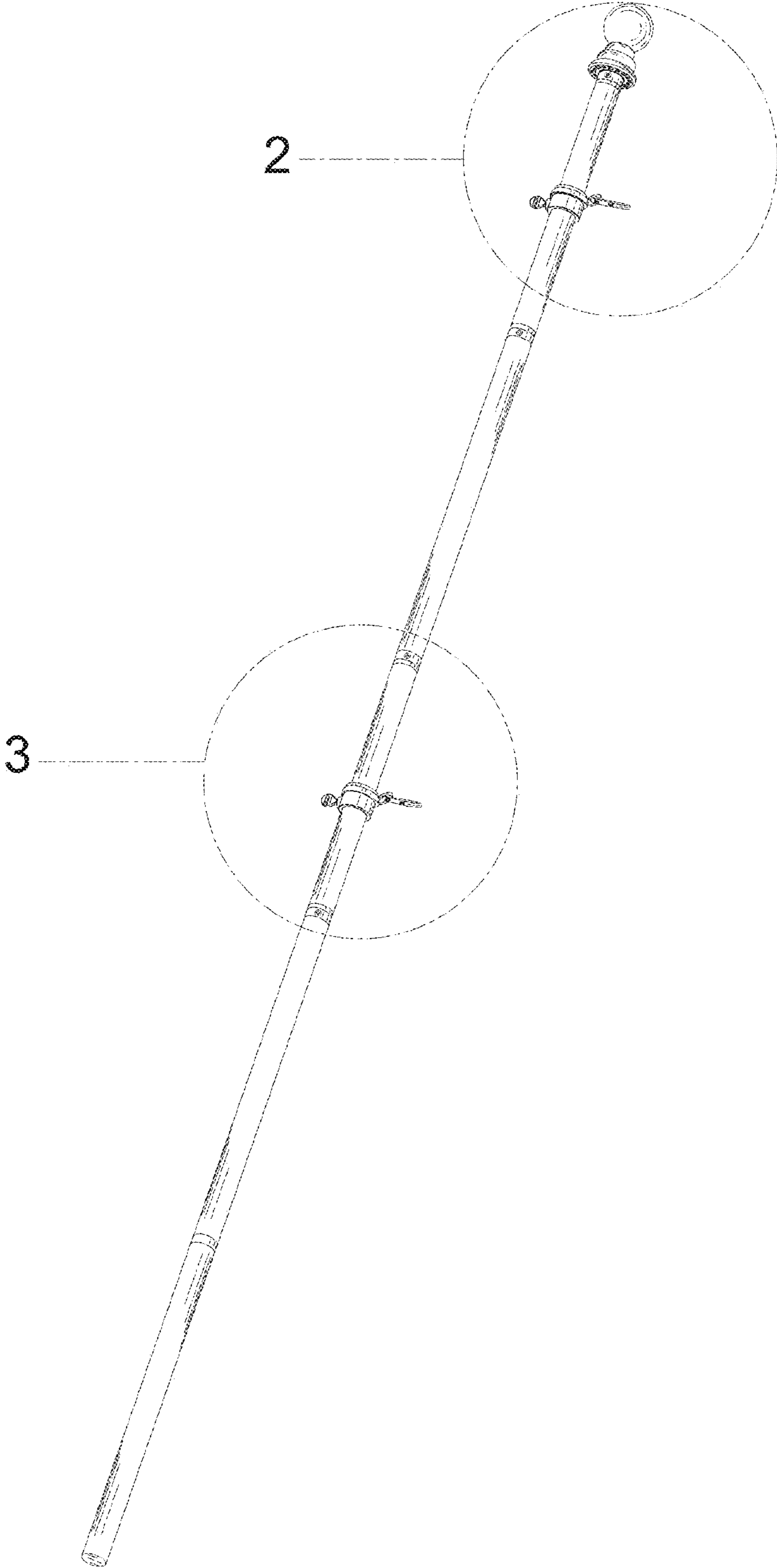


FIG.1

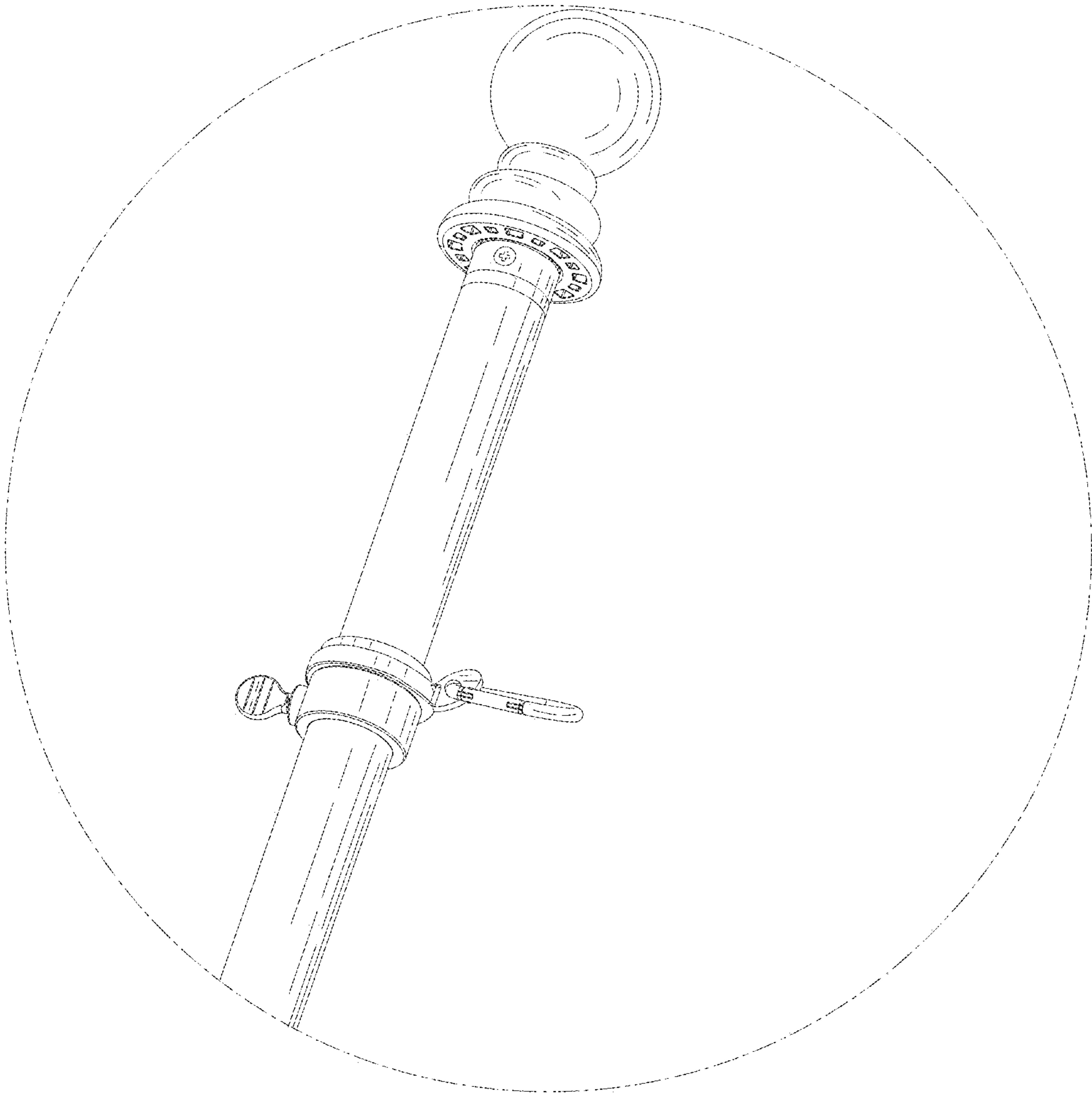


FIG.2

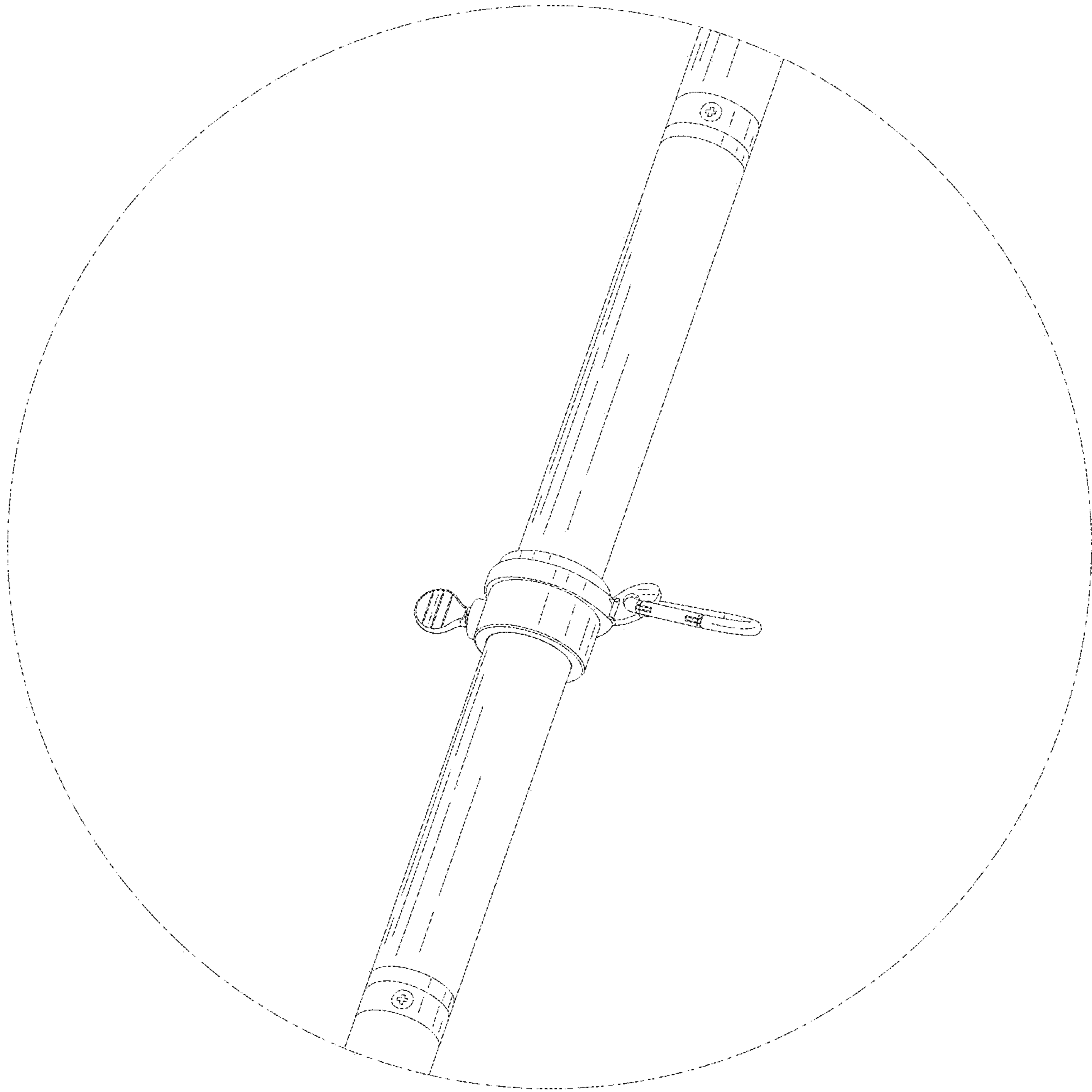


FIG.3

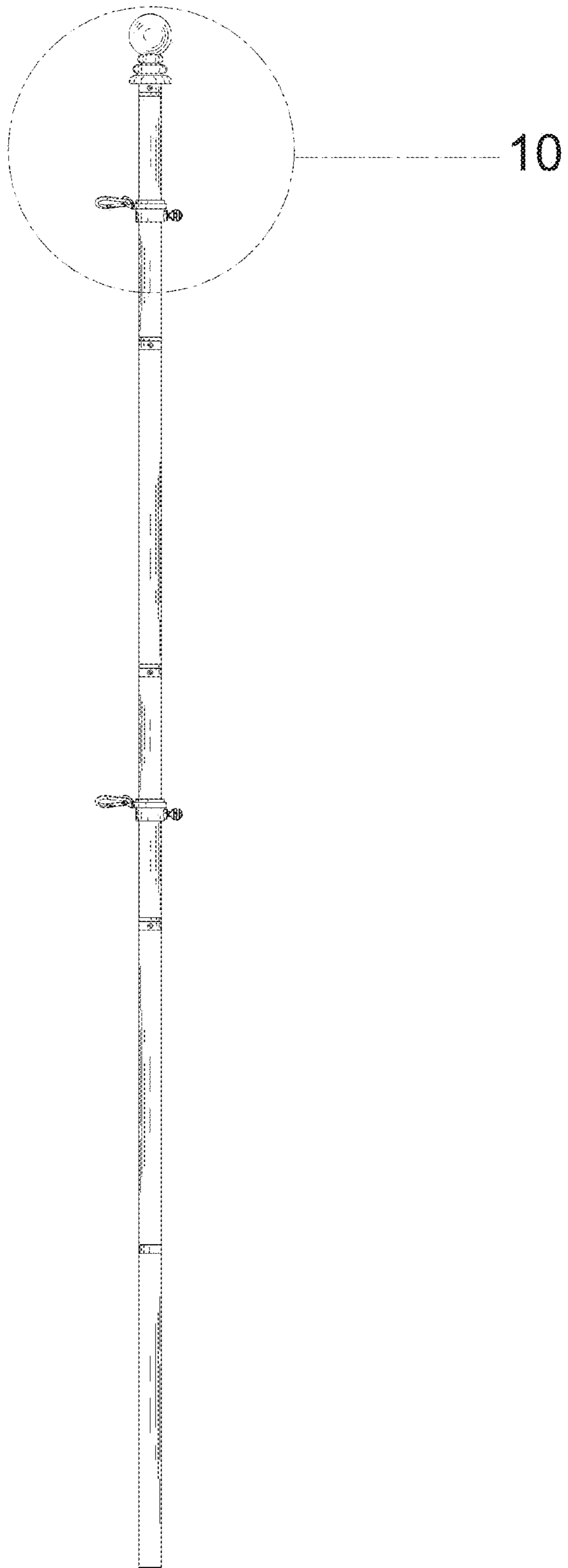


FIG.4

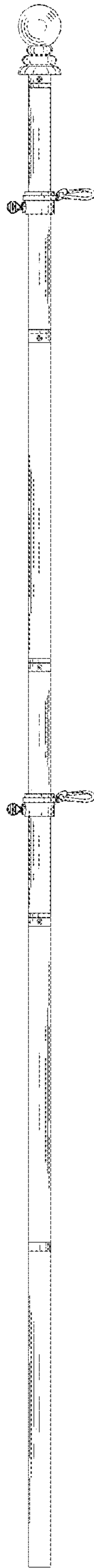


FIG.5

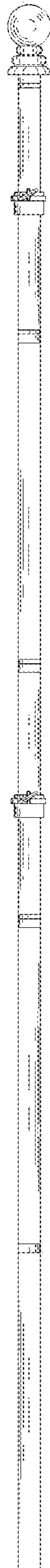


FIG.6

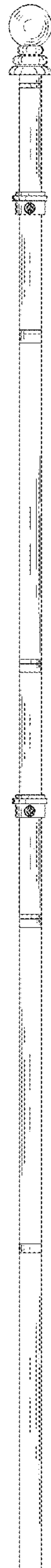


FIG.7



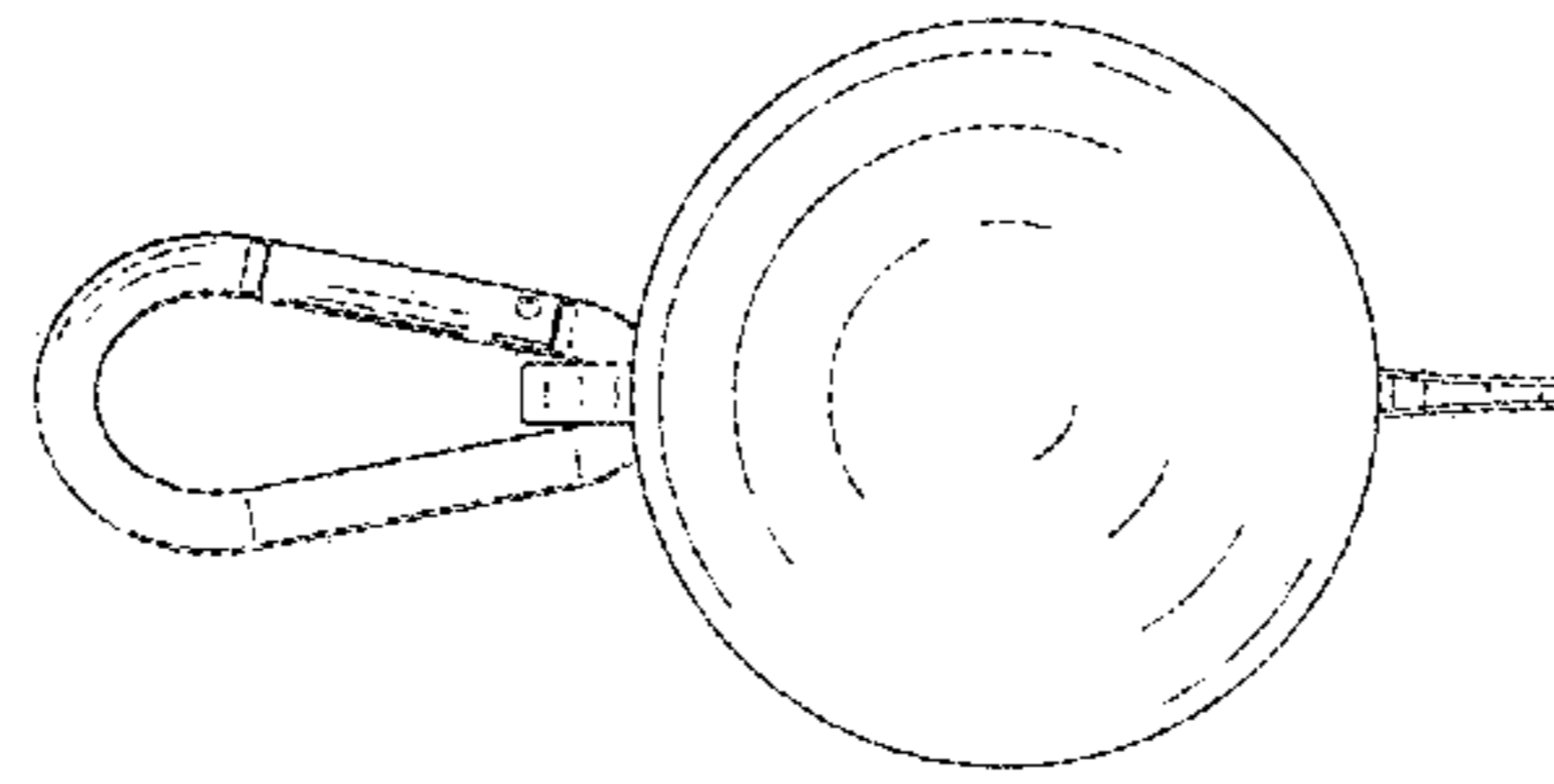


FIG.8

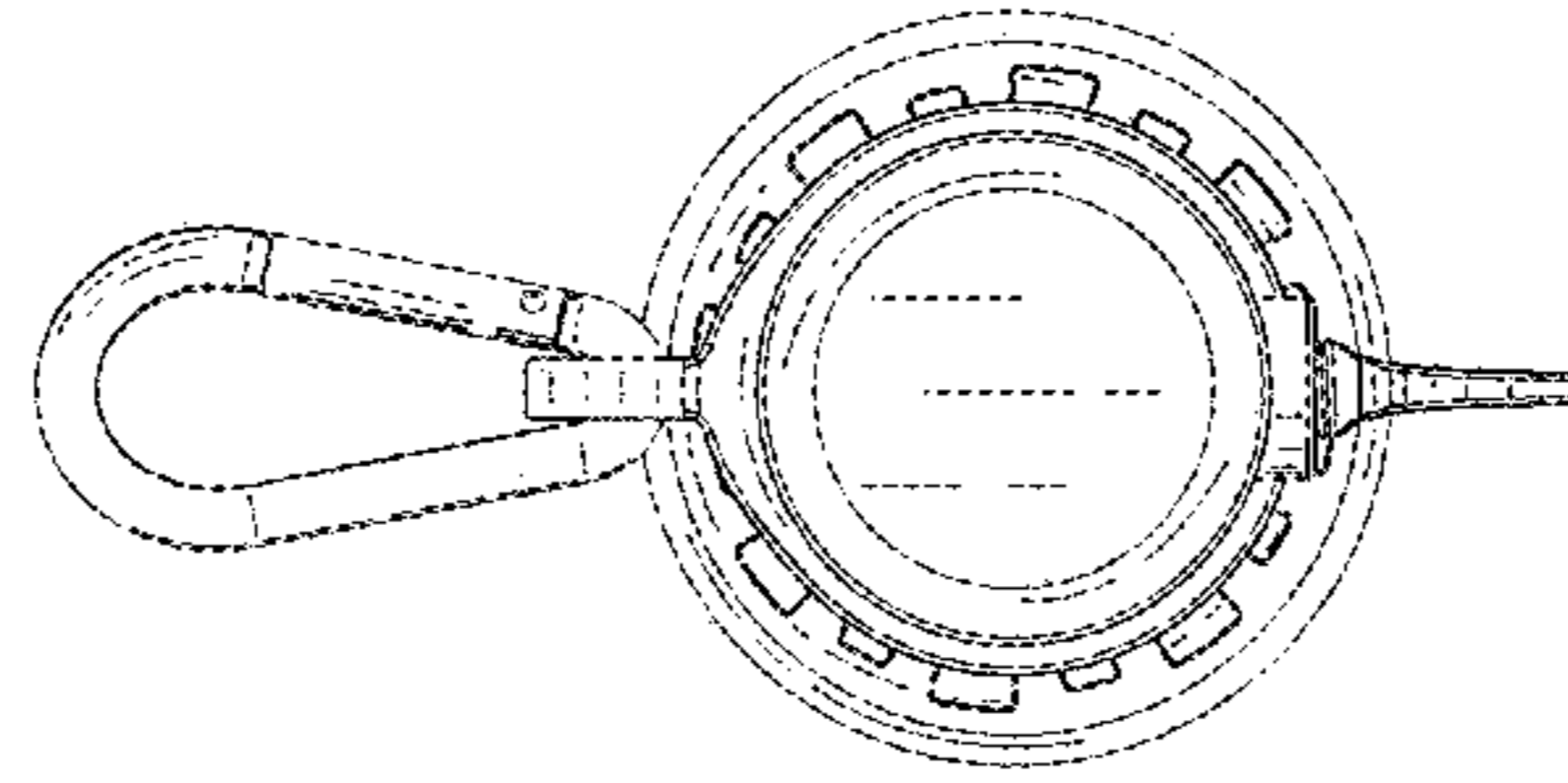


FIG.9

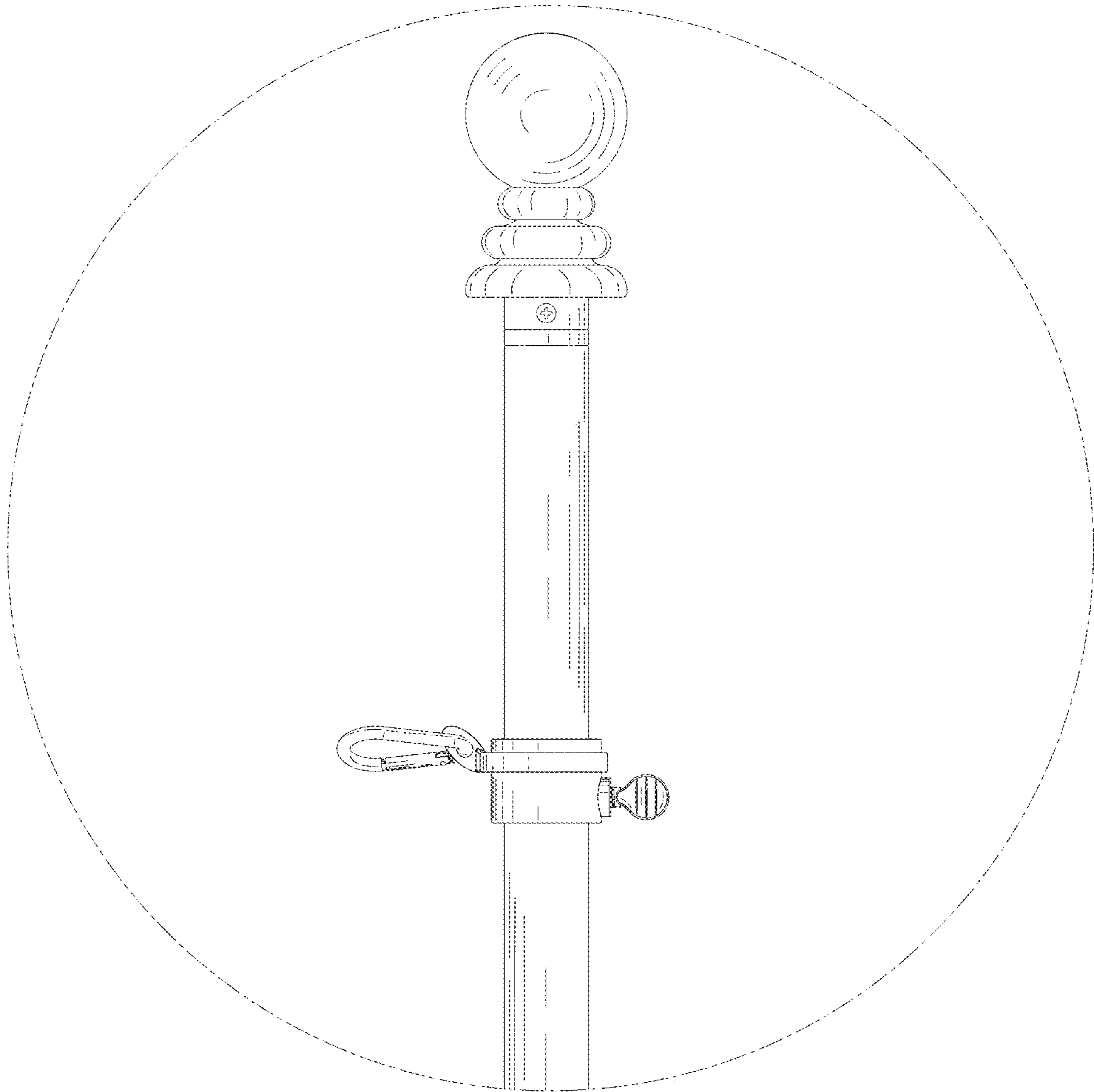


FIG. 10

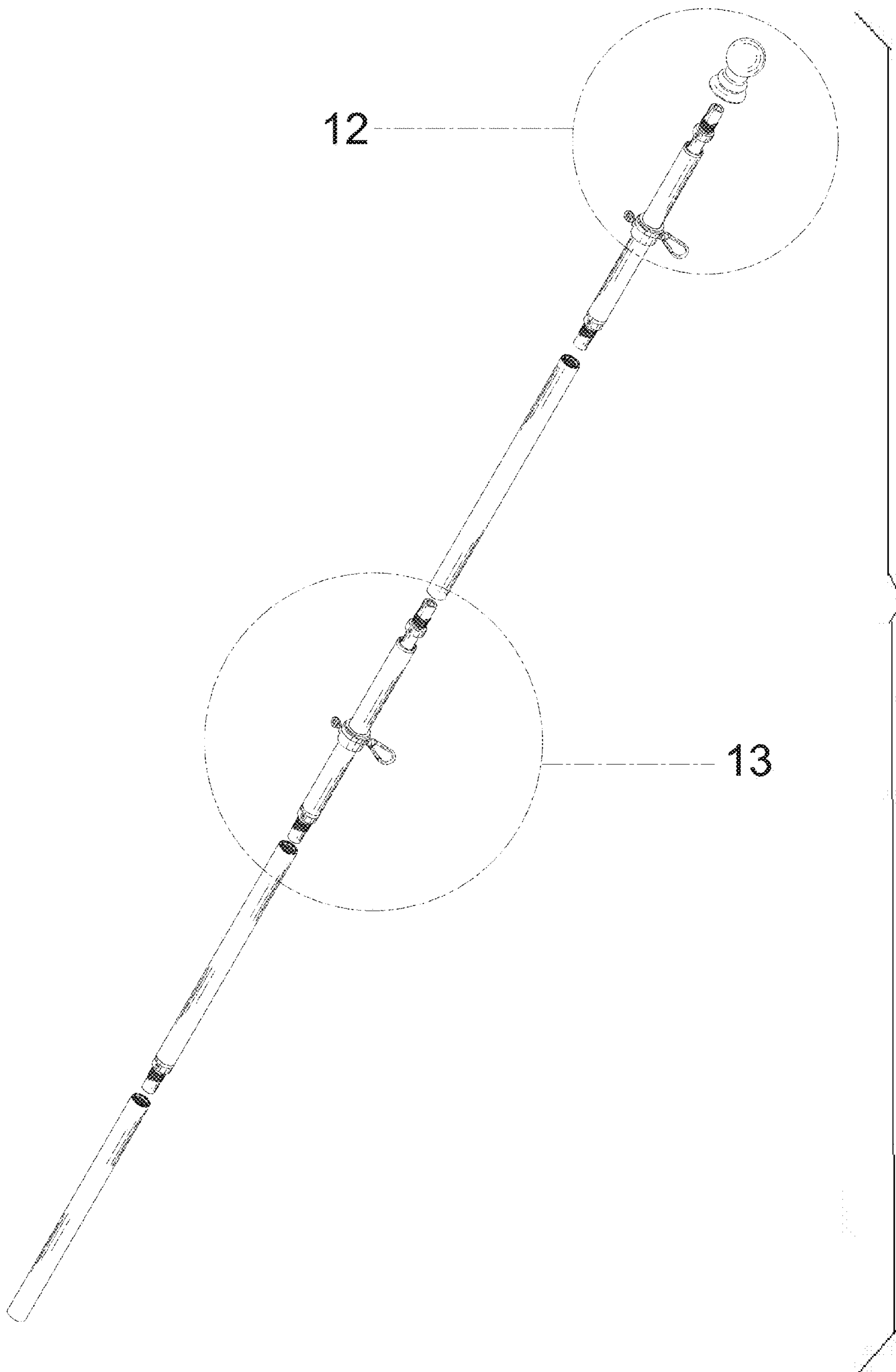


FIG.11

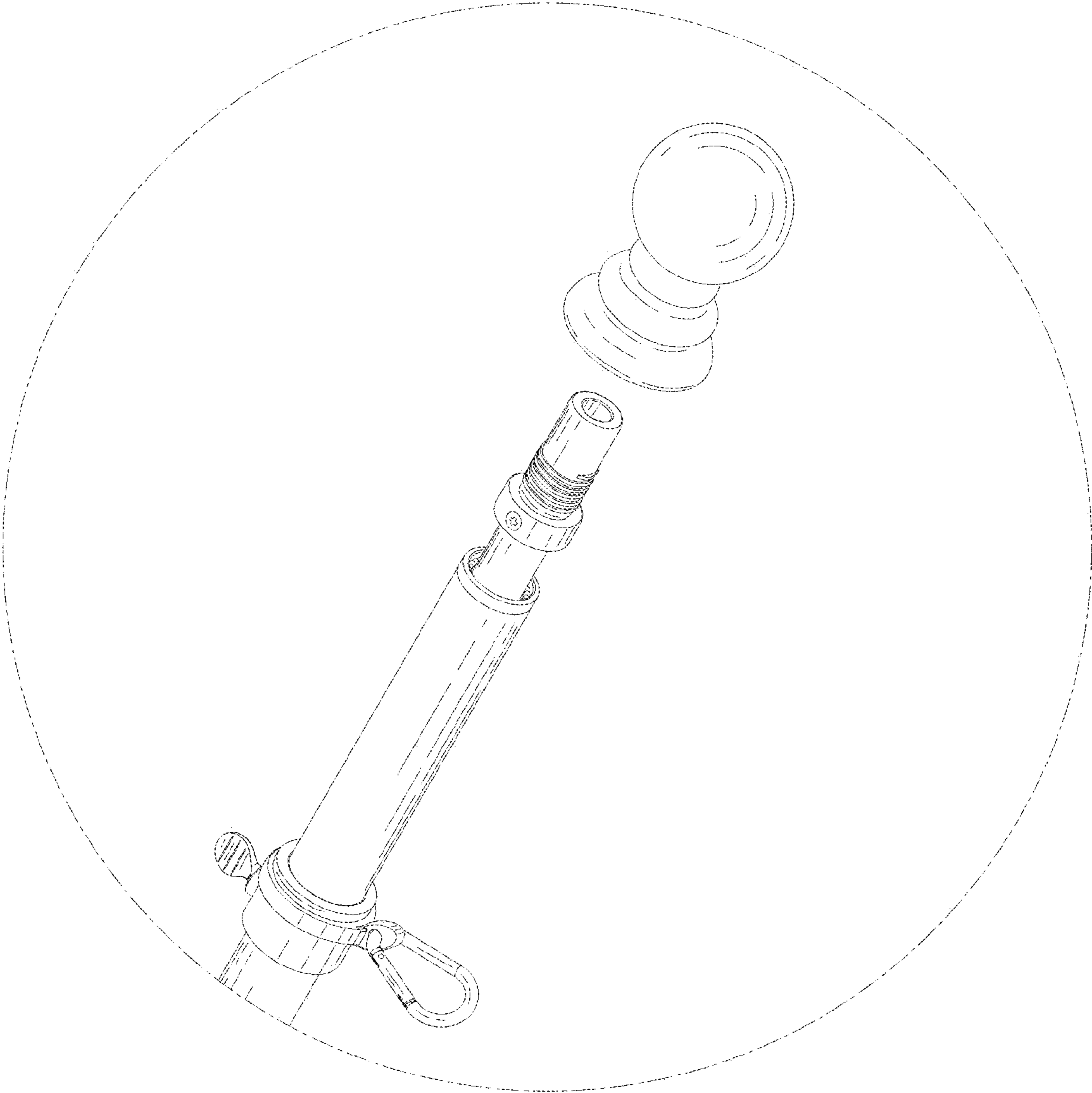


FIG.12

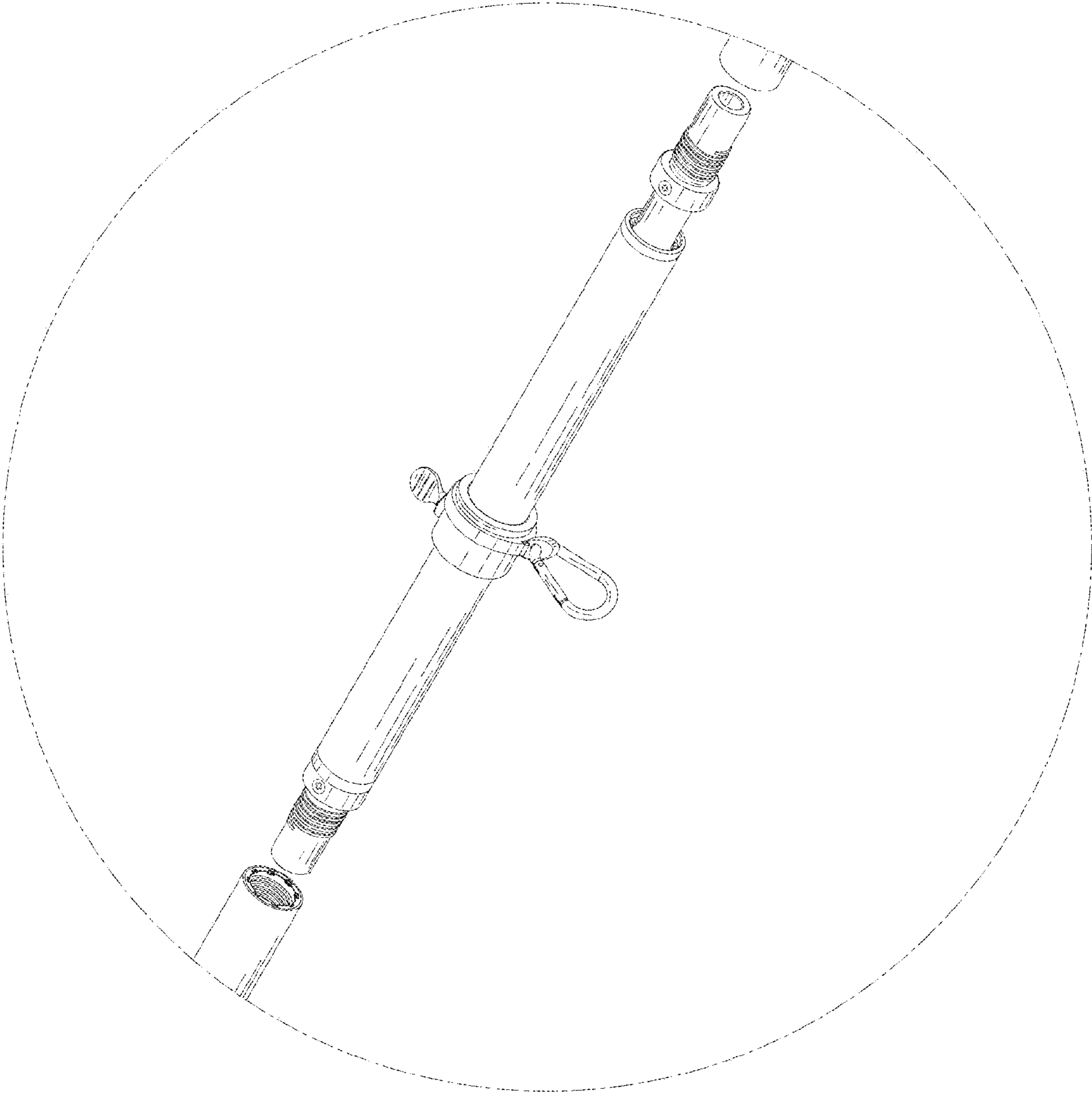


FIG.13