



US00D951810S

(12) **United States Design Patent** (10) **Patent No.:** **US D951,810 S**  
**Rizzo** (45) **Date of Patent:** **\*\* May 17, 2022**

(54) **SCULPTURE**

(71) Applicant: **Charles Rizzo**, Port Washington, NY  
(US)

(72) Inventor: **Charles Rizzo**, Port Washington, NY  
(US)

(\*\*) Term: **15 Years**

(21) Appl. No.: **29/652,422**

(22) Filed: **Aug. 12, 2020**

(51) **LOC (13) Cl.** ..... **11-02**

(52) **U.S. Cl.**  
USPC ..... **D11/157; D11/131**

(58) **Field of Classification Search**  
USPC ..... D11/40, 43-45, 48, 79, 81, 131, 133,  
D11/141, 157, 184; D21/385, 386, 483,  
D21/381; D19/34.1, 34.2, 34.3, 34.4,  
D19/34.5; D20/29, 99  
CPC ..... A44B 15/00; A44C 25/001; A44C 25/007;  
A44C 1/00; A45C 13/08  
See application file for complete search history.

(56) **References Cited**

**U.S. PATENT DOCUMENTS**

- D90,184 S \* 6/1933 Amberger ..... D20/31
- D133,989 S \* 10/1942 Block ..... D19/34.3
- D141,150 S \* 5/1945 Poschin ..... D19/34.1
- D195,871 S \* 8/1963 Kinsley ..... D11/89
- D198,663 S \* 7/1964 Escalante ..... D20/29
- D238,811 S \* 2/1976 Ziglar et al. .... D11/50
- D240,237 S \* 6/1976 McVicker ..... D11/157
- D257,806 S \* 1/1981 Maune ..... D19/34.3
- D356,352 S \* 3/1995 Johnson ..... D19/34.1
- D529,966 S \* 10/2006 LeSourd ..... D21/385
- D533,980 S \* 12/2006 Livers ..... D99/27
- D577,906 S \* 10/2008 Hu ..... D3/211
- D577,907 S \* 10/2008 Hu ..... D3/211
- D622,776 S \* 8/2010 Pryor ..... D20/29
- D622,777 S \* 8/2010 Pryor ..... D20/29

- D638,063 S \* 5/2011 O'Con ..... D20/29
- D639,581 S \* 6/2011 Fenno ..... D6/674
- D651,116 S \* 12/2011 Eddlemon ..... D11/81
- D666,520 S \* 9/2012 Schmidt ..... D11/81
- D683,256 S \* 5/2013 Rice ..... D11/81
- D695,348 S \* 12/2013 Bengyak ..... D20/29
- D746,720 S \* 1/2016 Elia ..... D11/157
- D757,596 S \* 5/2016 Miceli ..... D11/81
- D757,600 S \* 5/2016 Wright ..... D11/96
- D812,369 S \* 3/2018 Lee ..... D3/211
- D816,775 S \* 5/2018 Belcher ..... D21/386

(Continued)

**OTHER PUBLICATIONS**

AutumnCatArt via etsy, available Dec. 15, 2021, [online], [site visited Dec. 15, 2021]. Available from internet, URL: <https://www.pinterest.com/pin/12525705197135784/> (Year: 2021).\*

(Continued)

*Primary Examiner* — W. A. Teddy Falloway  
(74) *Attorney, Agent, or Firm* — Dunlap Bennett & Ludwig, PLLC; Anna L. Kinney

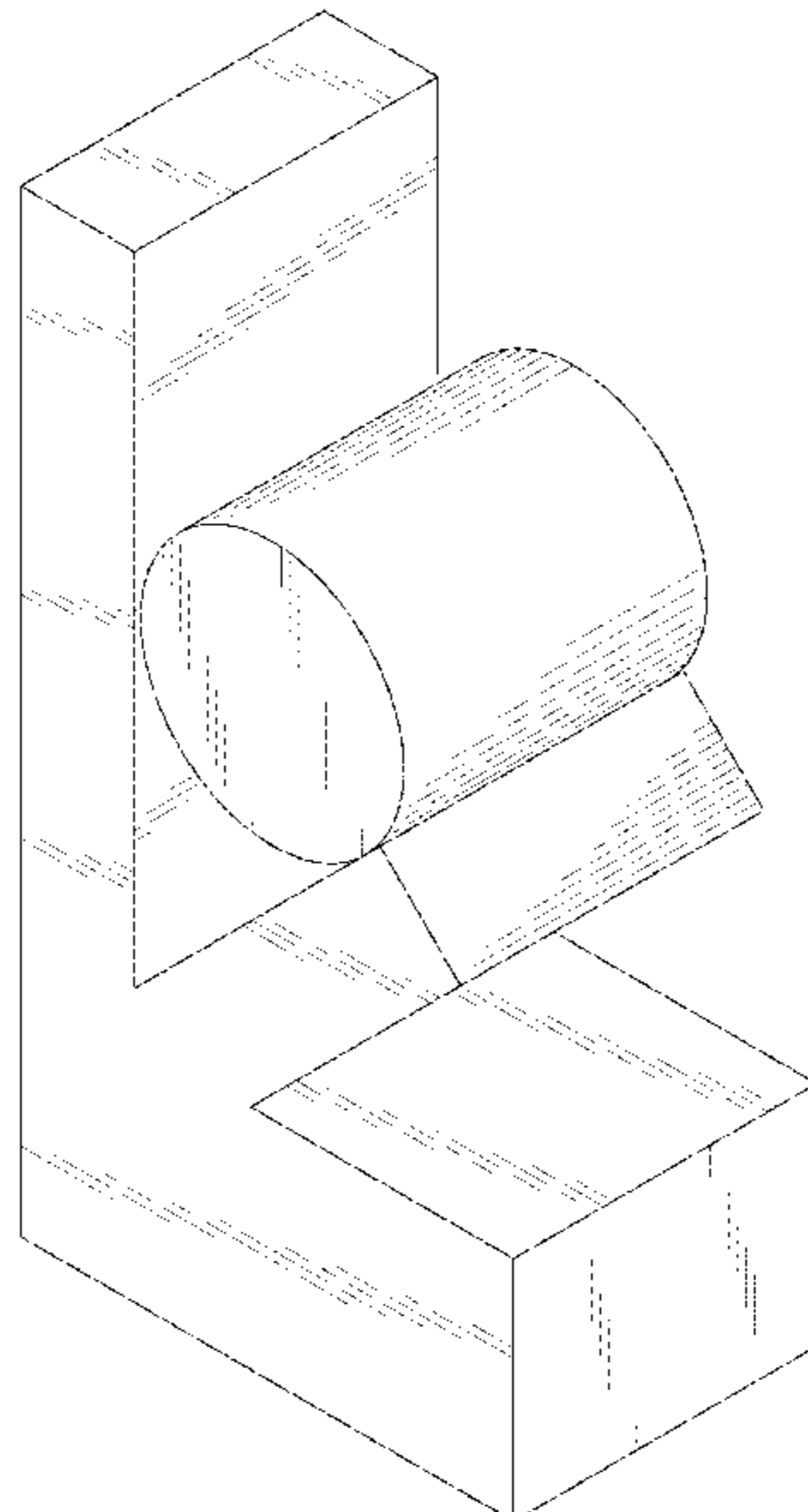
(57) **CLAIM**

The ornamental design for a sculpture, as shown and described.

**DESCRIPTION**

FIG. 1 is a top front perspective view of a sculpture showing my new design;  
FIG. 2 is a front elevation view thereof, the rear elevation view being a mirror image thereof;  
FIG. 3 is a right elevation view thereof;  
FIG. 4 is a left elevation view thereof;  
FIG. 5 is a top elevation view thereof; and,  
FIG. 6 is a bottom elevation view thereof.  
The broken lines shown in the drawings depict environmental structure that forms no part of the claimed invention.

**1 Claim, 4 Drawing Sheets**



(56)

**References Cited**

U.S. PATENT DOCUMENTS

D872,641 S	*	1/2020	Jung .....	D11/157
D888,599 S	*	6/2020	Weinroth .....	D11/131
D888,600 S	*	6/2020	Weinroth .....	D11/131
D888,601 S	*	6/2020	Weinroth .....	D11/131
D902,071 S	*	11/2020	Shaughnessy .....	D11/79
D908,805 S	*	1/2021	Belcher .....	D21/386
D914,532 S	*	3/2021	Yamada .....	D11/40
D918,012 S	*	5/2021	Wikstrom .....	D8/331
D924,718 S	*	7/2021	Rizzo .....	D11/81
D936,745 S	*	11/2021	Herring .....	D21/344

OTHER PUBLICATIONS

Untitled (3Ls) by Robert Morris, available 1970, [online], [site visited Dec. 15, 2021]. Available from internet, URL: <https://whitney.org/collection/works/1774> (Year: 1970).\*

Jeff Metz Sculpture, available Dec. 15, 2021, [online], [site visited Dec. 15, 2021]. Available from internet, URL: <http://www.jeffmetz.com/> (Year: 2021).\*

Jubilee geometrical abstract sculpture by Vadim Kharchenko, available Dec. 15, 2021, [online], [site visited Dec. 15, 2021]. Available from internet, URL: <https://www.saatchiart.com/art/Sculpture-Jubilee-geometrical-abstract-sculpture/1054084/6709553/view> (Year: 2021).\*

\* cited by examiner

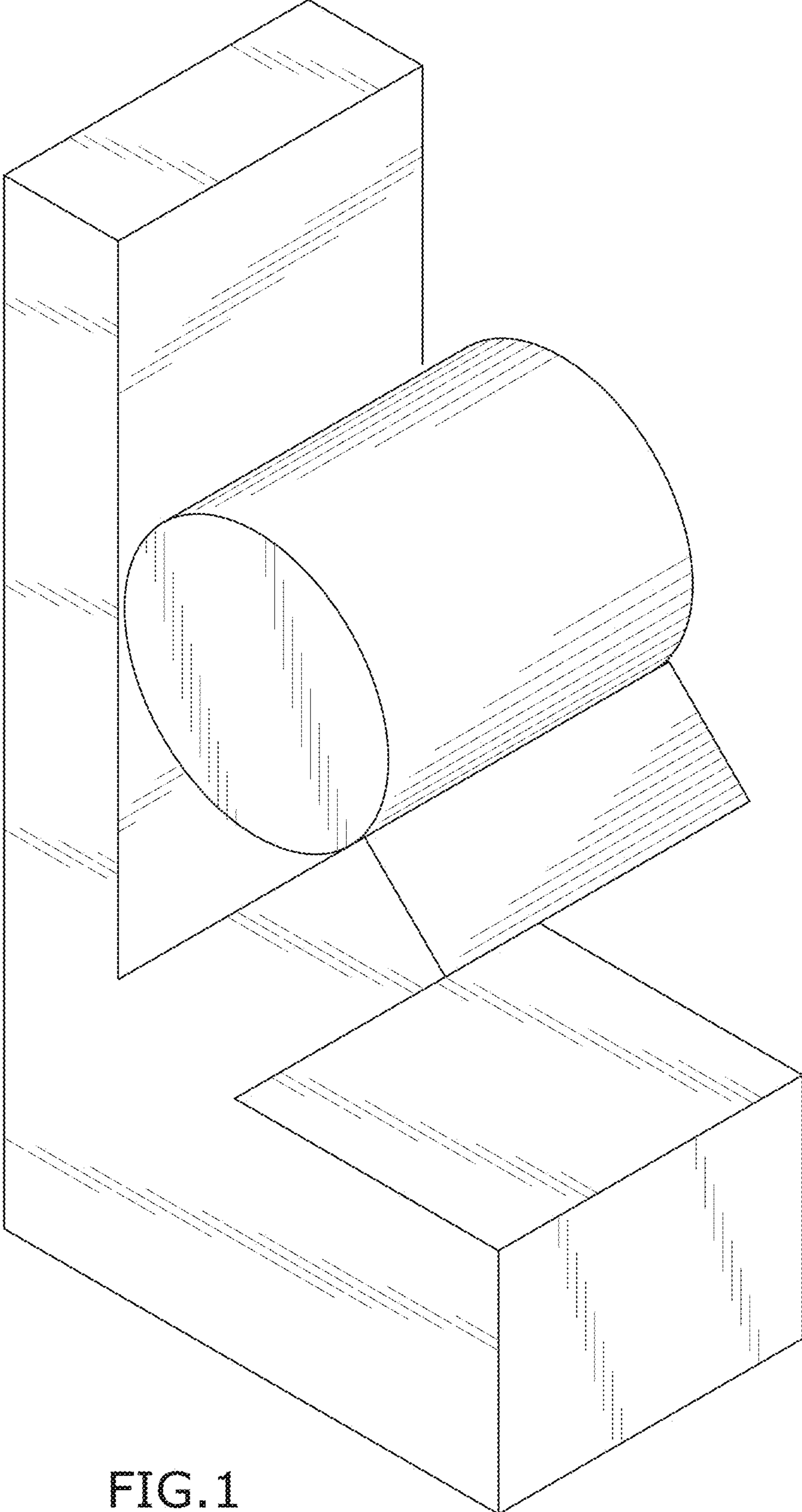


FIG. 1

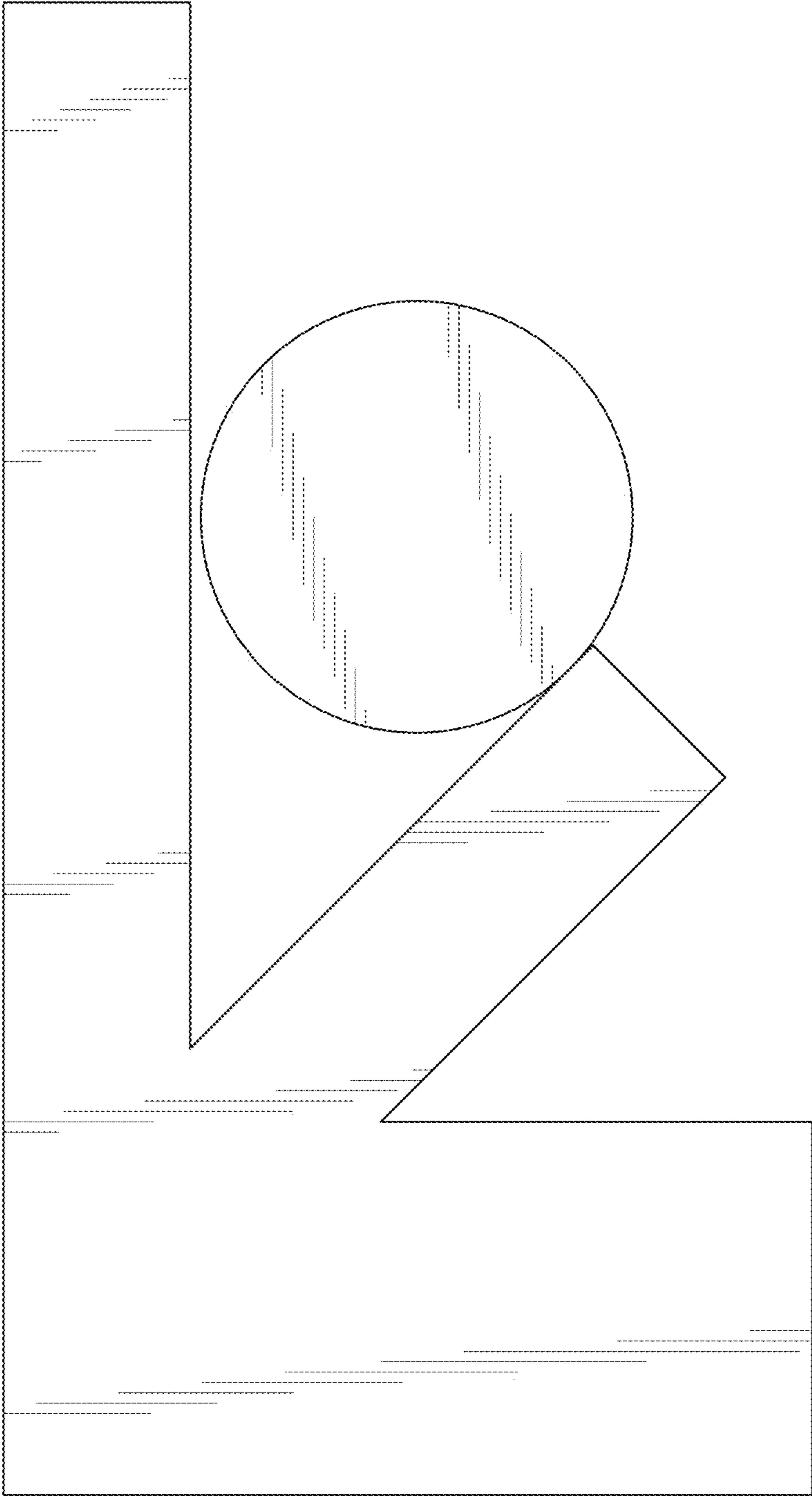


FIG. 2

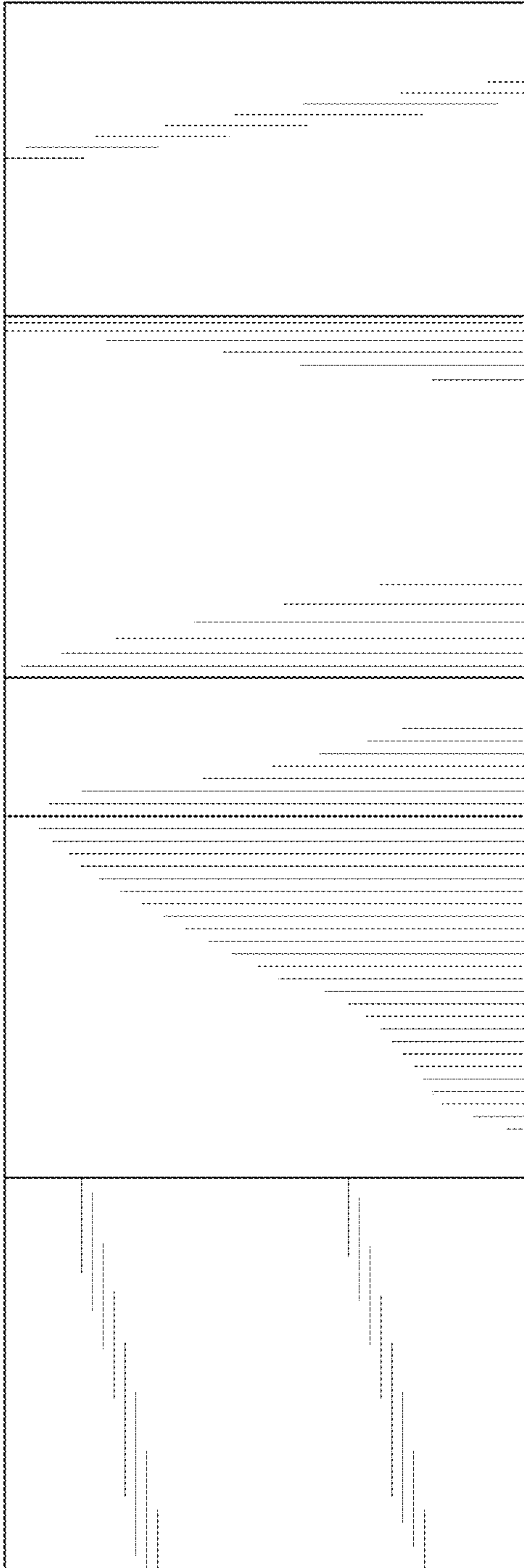


FIG.3

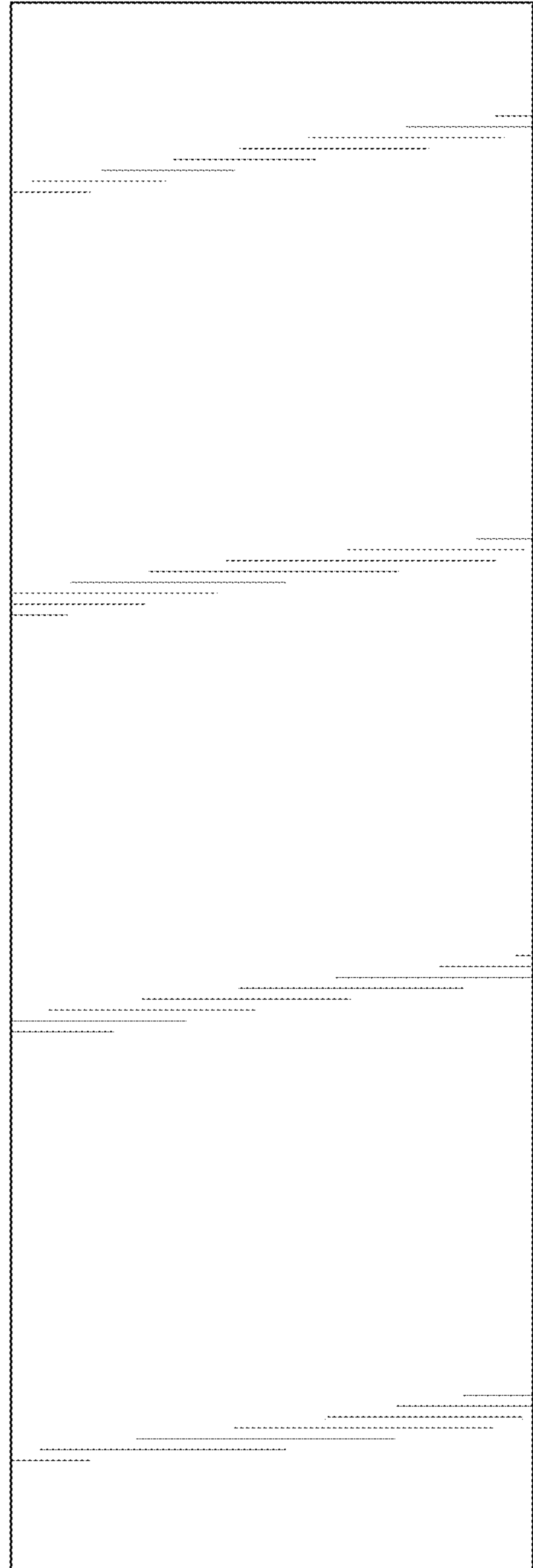


FIG.4

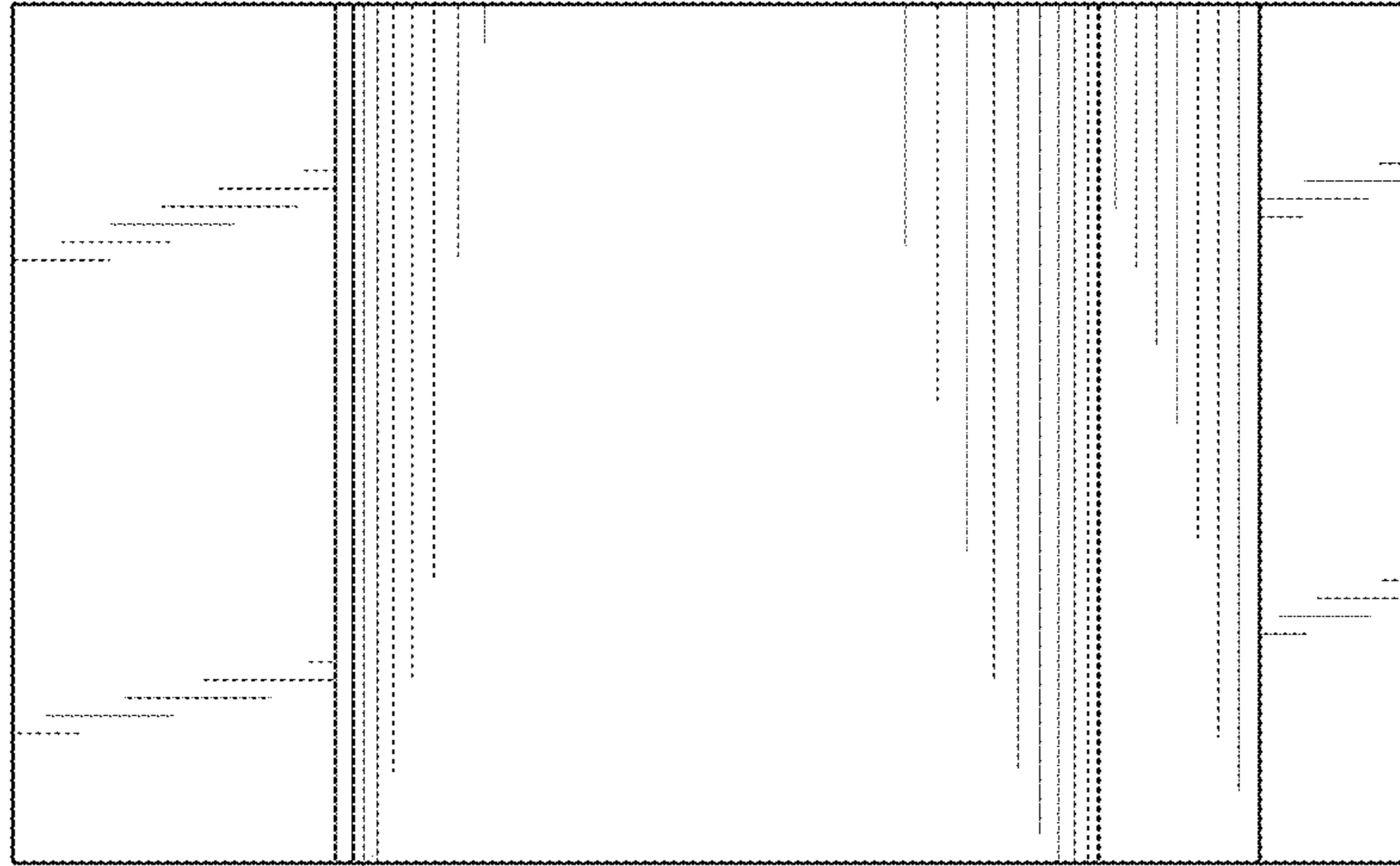


FIG. 5



FIG. 6