



US00D951809S

(12) **United States Design Patent**  
**Nelson**

(10) **Patent No.:** **US D951,809 S**

(45) **Date of Patent:** **\*\* May 17, 2022**

(54) **BUCKET AND STAND SET**

(71) Applicant: **Thomas Eugene Nelson**, San Diego, CA (US)

(72) Inventor: **Thomas Eugene Nelson**, San Diego, CA (US)

(\*\*) Term: **15 Years**

(21) Appl. No.: **29/721,026**

(22) Filed: **Jan. 17, 2020**

(51) **LOC (13) Cl.** ..... **11-02**

(52) **U.S. Cl.**  
USPC ..... **D11/155; D3/314**

(58) **Field of Classification Search**  
USPC ..... D3/215, 232, 245–246, 273, 276, D3/289–290, 299–301, 303, 202, 304, D3/307, 314; D6/672–673, 675, 681, D6/683; D11/143–144, 148, 155  
CPC ..... A01G 9/02; A01G 9/021; A01G 9/029; A01G 9/0293; A01G 9/00; A01G 9/022; A01G 9/024; A01G 9/025; A01G 9/026; A01G 9/10; A01G 9/104; A01G 9/027; A01G 9/028; A47G 7/00; A47G 7/002;  
(Continued)

(56) **References Cited**

**U.S. PATENT DOCUMENTS**

2,916,161 A \* 12/1959 Schaefer ..... B65D 21/0215  
211/126.2  
D325,798 S \* 4/1992 Montrose ..... D34/5  
(Continued)

**OTHER PUBLICATIONS**

PVC Flower Rack, posted in 2018 based on user comments, instructables.com [online], [site visited Jan. 12, 2022], Available at URL: <https://www.instructables.com/PVC-Flower-Rack/> (Year: 2018).\*

(Continued)

*Primary Examiner* — Jeffrey D Asch  
*Assistant Examiner* — Caitlin A Laverty  
(74) *Attorney, Agent, or Firm* — Genius Patent APC;  
Bruce Angus Hare

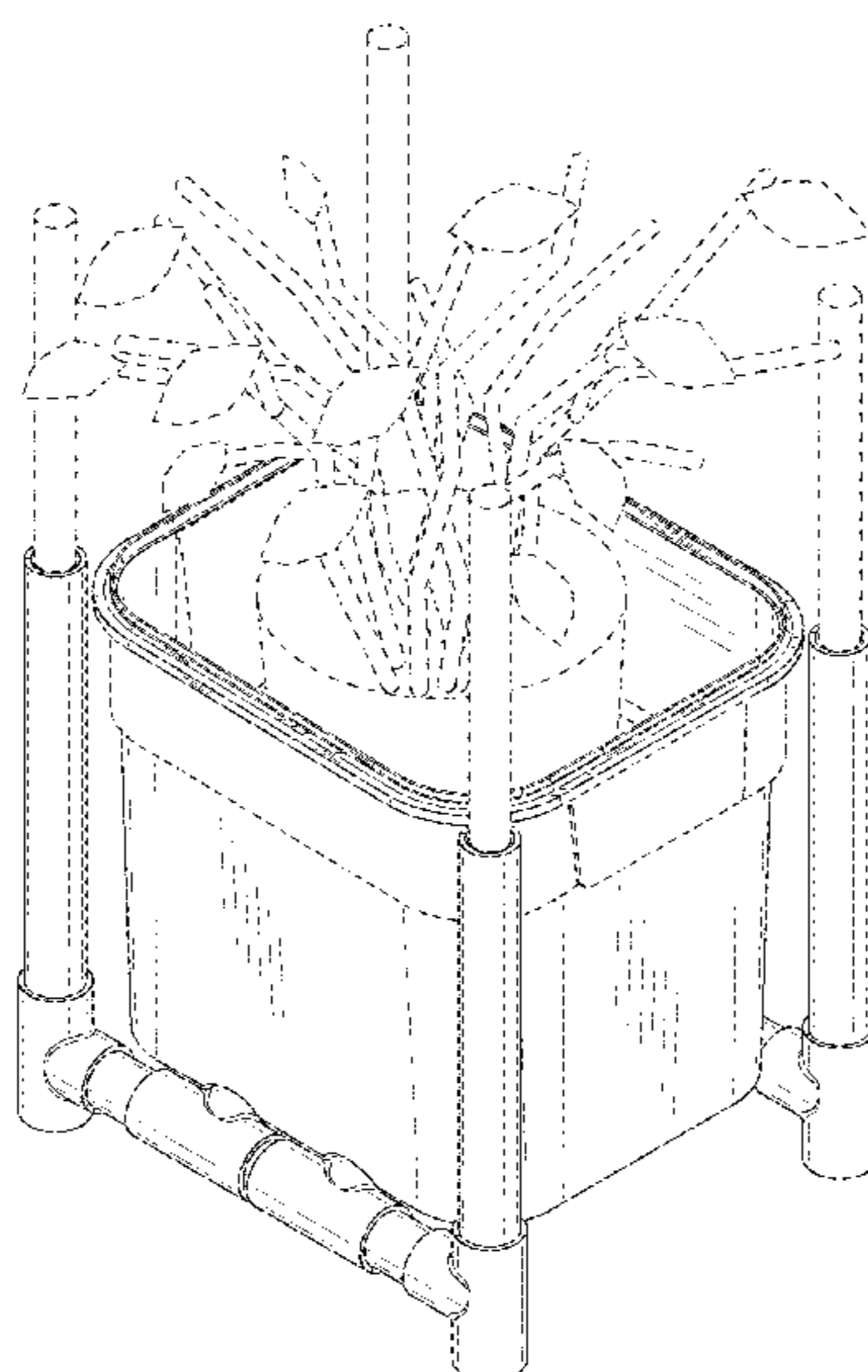
(57) **CLAIM**

The ornamental design for a bucket and stand set, as shown and described.

**DESCRIPTION**

FIG. 1. illustrates a top, front, left perspective view of a bucket and stand set showing the new design;  
FIG. 2 illustrates a bottom, front, left perspective view thereof;  
FIG. 3 illustrates a top, front, left perspective view with environment thereof,  
FIG. 4 illustrates a front elevation view thereof, rear elevation view is a mirror image thereof;  
FIG. 5 illustrates a left elevation view thereof, right elevation view is a mirror image thereof;  
FIG. 6 illustrates a top plan view thereof;  
FIG. 7 illustrates a bottom plan view thereof;  
FIG. 8 illustrates a top, front, left exploded perspective view thereof;  
FIG. 9 illustrates a bottom, front, left exploded perspective view thereof;  
FIG. 10 illustrates an exploded front elevation view thereof, the rear elevation view is a mirror image thereof;  
FIG. 11 illustrates an exploded left elevation view thereof, the right elevation view is a mirror image thereof;  
FIG. 12 illustrates an exploded top plan view thereof; and  
FIG. 13 illustrates an exploded bottom plan view thereof.  
The broken lines illustrate the nesting edges, handles, and structural components of the bucket and form no part of the claimed design. The broken lines in FIG. 3 illustrate the surrounding environment, nesting edges, handles, and structural components of the bucket and form no part of the claimed design.

**1 Claim, 12 Drawing Sheets**



# US D951,809 S

Page 2

(58) **Field of Classification Search**

CPC .... A47G 7/06; A47G 7/07; A47G 7/08; F21V  
1/06; F21V 35/00

See application file for complete search history.

(56) **References Cited**

U.S. PATENT DOCUMENTS

D327,555 S \* 6/1992 Juergens ..... D32/53  
D346,568 S \* 5/1994 Bates ..... D11/164  
D412,793 S \* 8/1999 Neubauer, Jr. .... D6/374  
6,135,467 A 10/2000 Tagariello  
D443,733 S \* 6/2001 Trahd-Morris ..... D30/118  
D475,854 S \* 6/2003 Caponey ..... D3/314  
D480,326 S \* 10/2003 Carlson ..... D11/155  
8,256,640 B2 9/2012 Luburic et al.  
8,333,394 B1 12/2012 Cisneros  
8,807,493 B2 8/2014 Kamon  
8,839,975 B2 9/2014 Luburic  
D717,122 S \* 11/2014 Carlson ..... D7/602  
D744,771 S \* 12/2015 Subbi ..... D6/675  
9,625,085 B1 4/2017 Jones  
10,011,475 B1 7/2018 Brekke

D830,892 S \* 10/2018 Itzhak-Sigron ..... D11/155  
D836,936 S \* 1/2019 Jeppson ..... D6/403  
D840,684 S 2/2019 Luburic  
10,271,651 B1 4/2019 Brown  
D858,345 S 9/2019 Wilson et al.  
D869,328 S 12/2019 Nelson  
D870,593 S \* 12/2019 Keeble ..... D11/155  
D890,017 S \* 7/2020 Draeger ..... D11/143  
D899,299 S \* 10/2020 Craig ..... D11/155  
D920,612 S \* 5/2021 Luburic ..... D32/53  
D920,613 S \* 5/2021 Luburic ..... D32/53  
D926,627 S \* 8/2021 Craig ..... D11/155  
2011/0247268 A1 \* 10/2011 Adams ..... A01G 9/1423  
47/66.1  
2021/0029976 A1 \* 2/2021 Yang ..... A01G 9/027

OTHER PUBLICATIONS

How To Make a PVC Pipe Sand And Water Table, unknown first available date, doodshomedesign.com [online], [site visited Jan. 12, 2022], Available at URL: <https://www.goodshomedesign.com/how-to-make-a-pvc-pipe-sand-and-water-table/> (Year: 2022).\*

\* cited by examiner

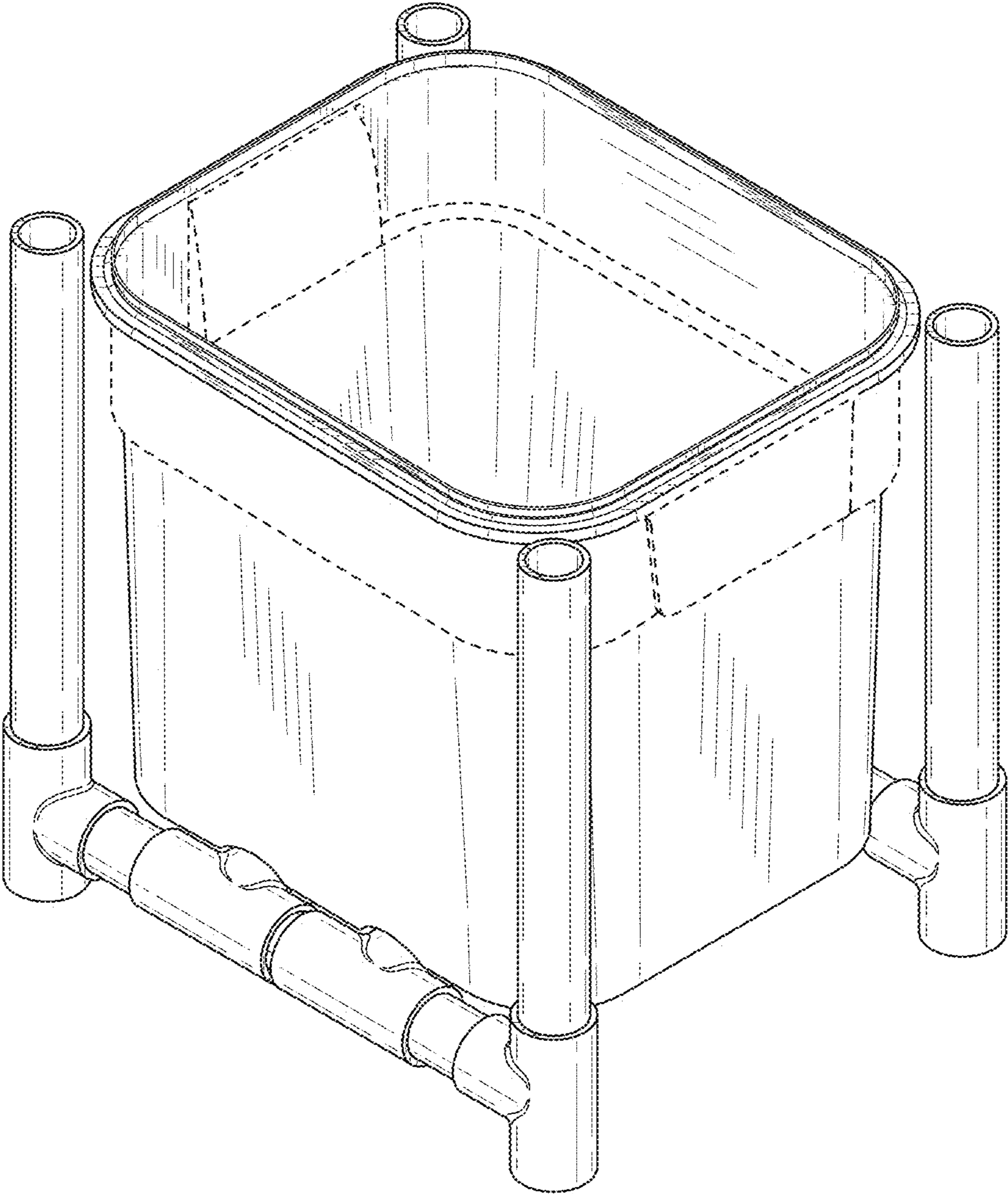


FIG. 1

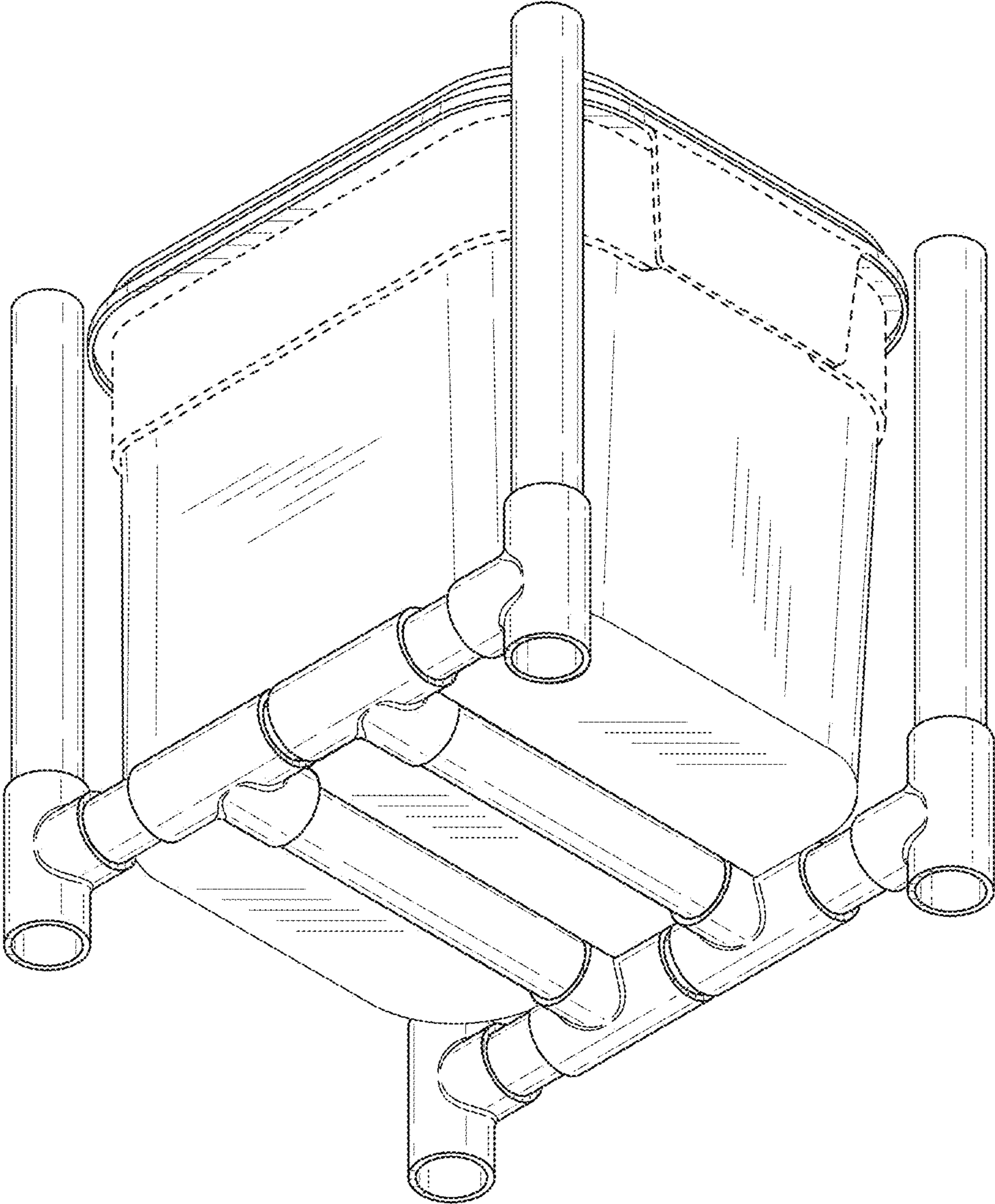


FIG. 2

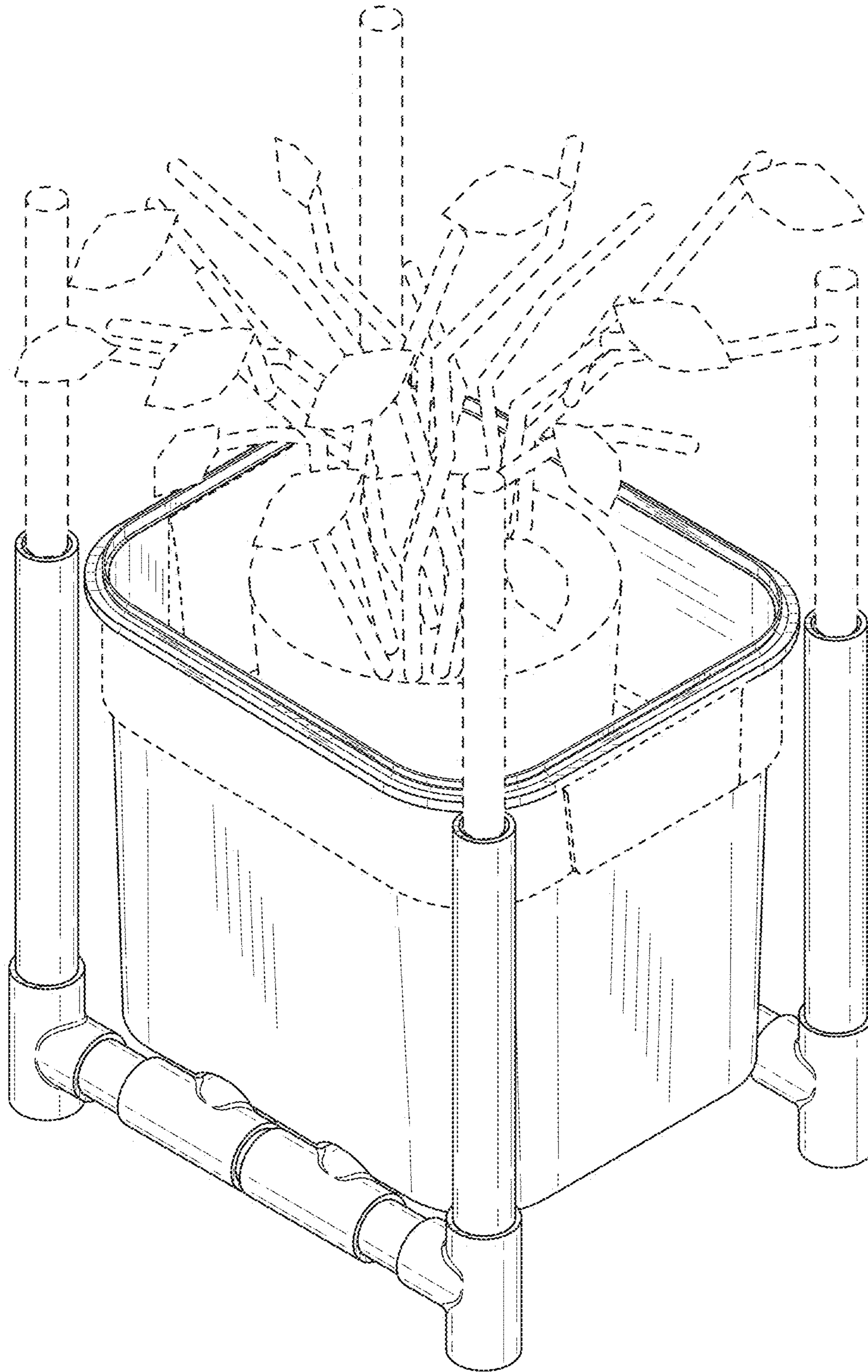


FIG. 3

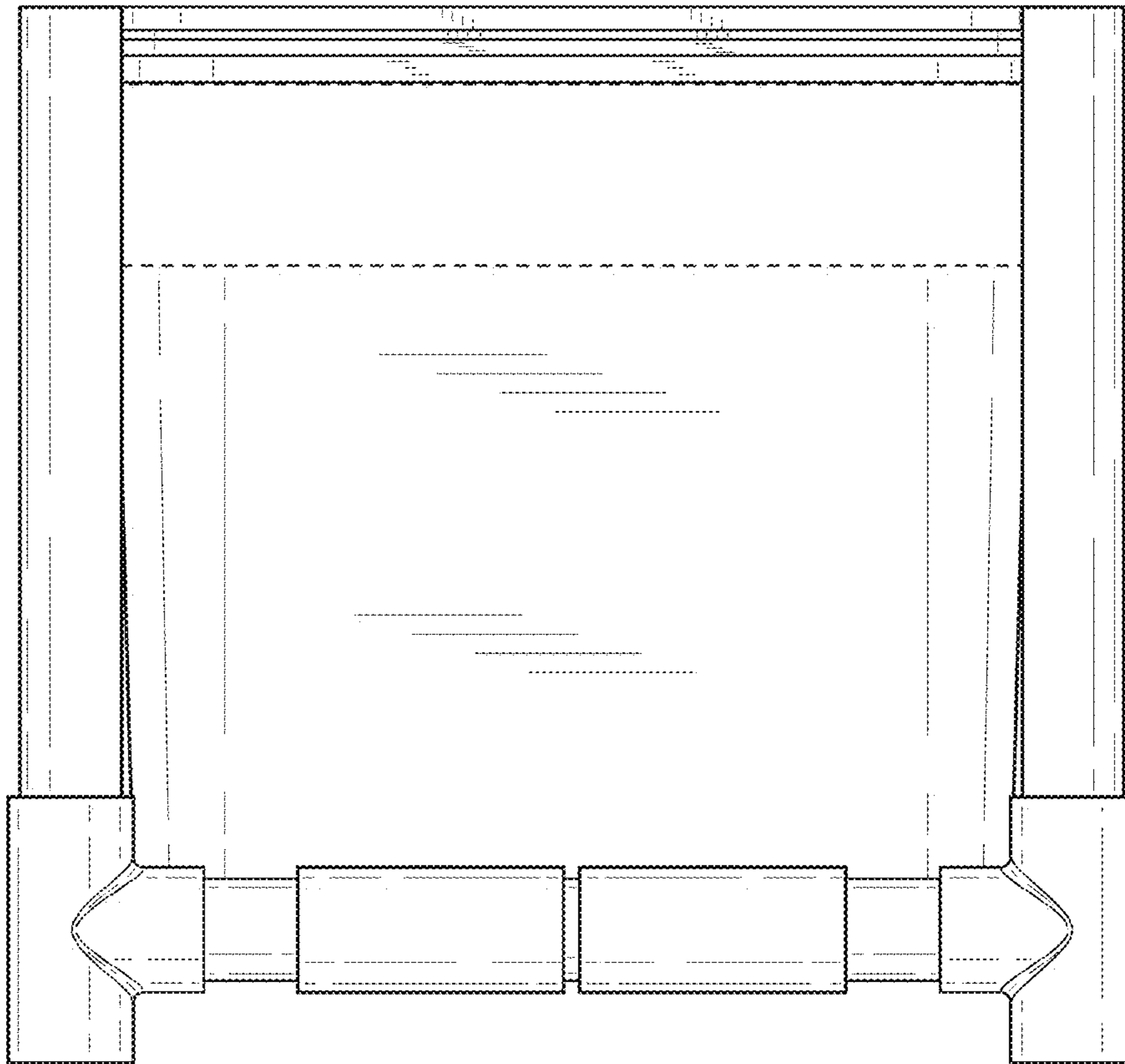


FIG. 4

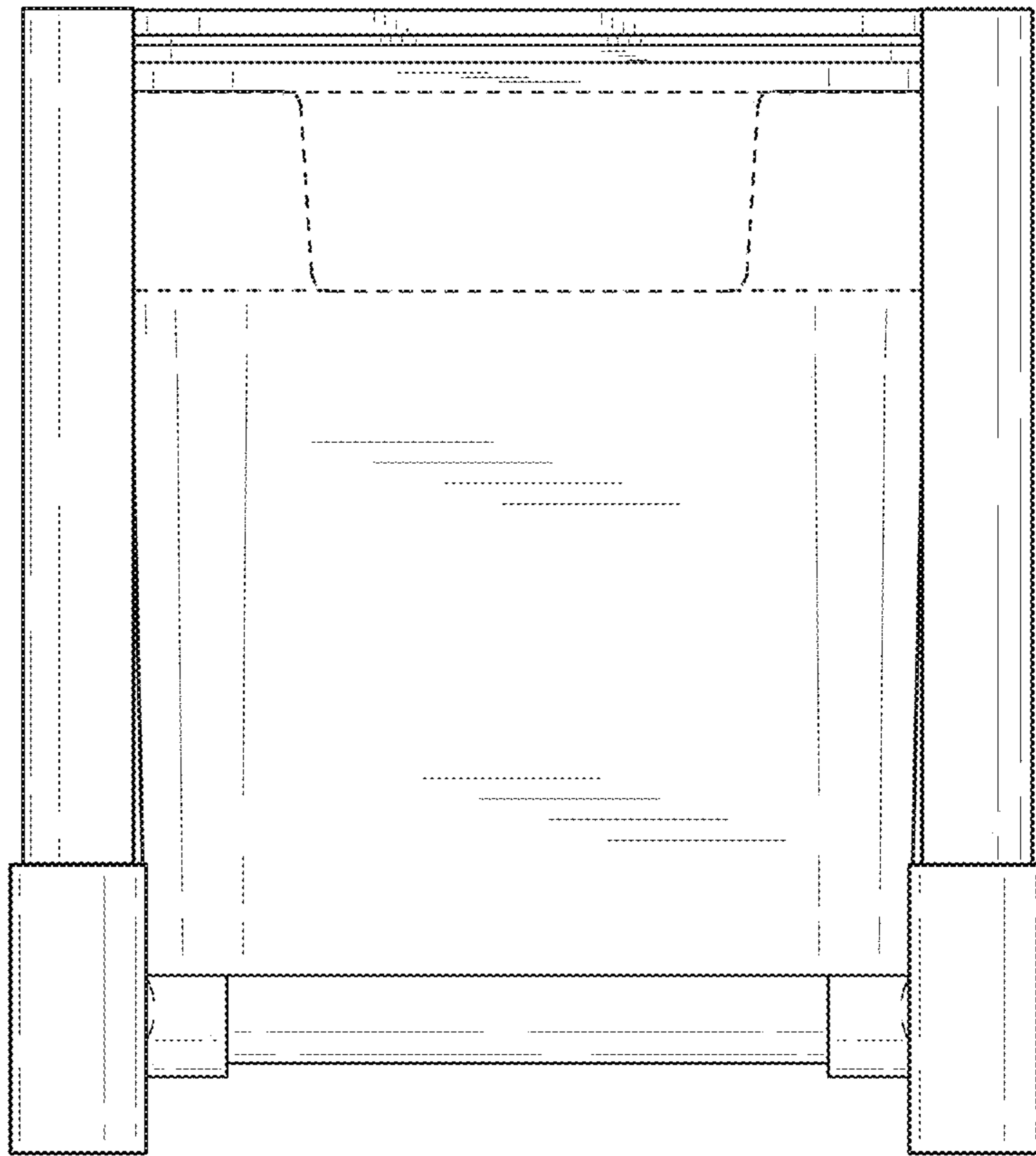


FIG. 5

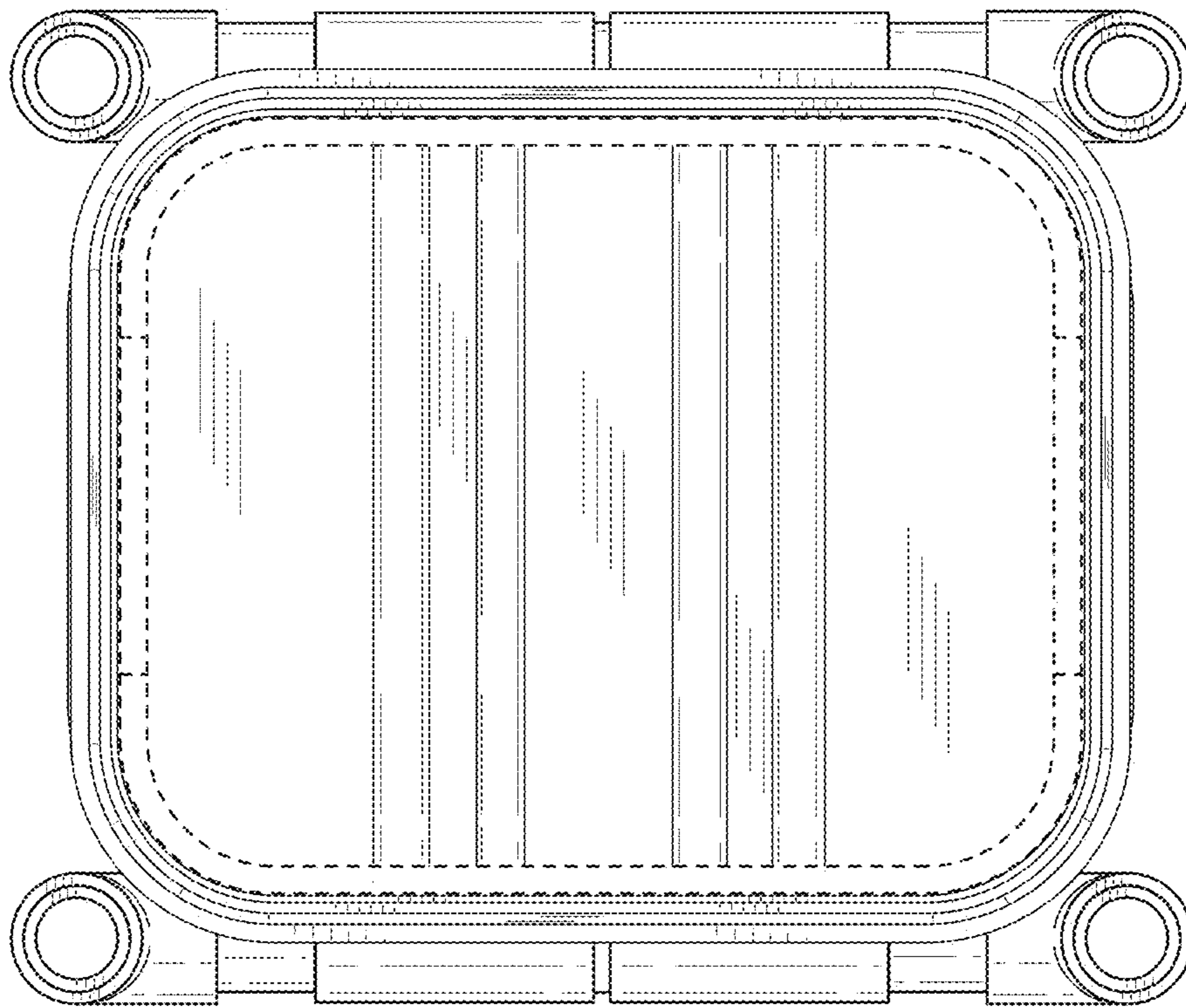


FIG. 6

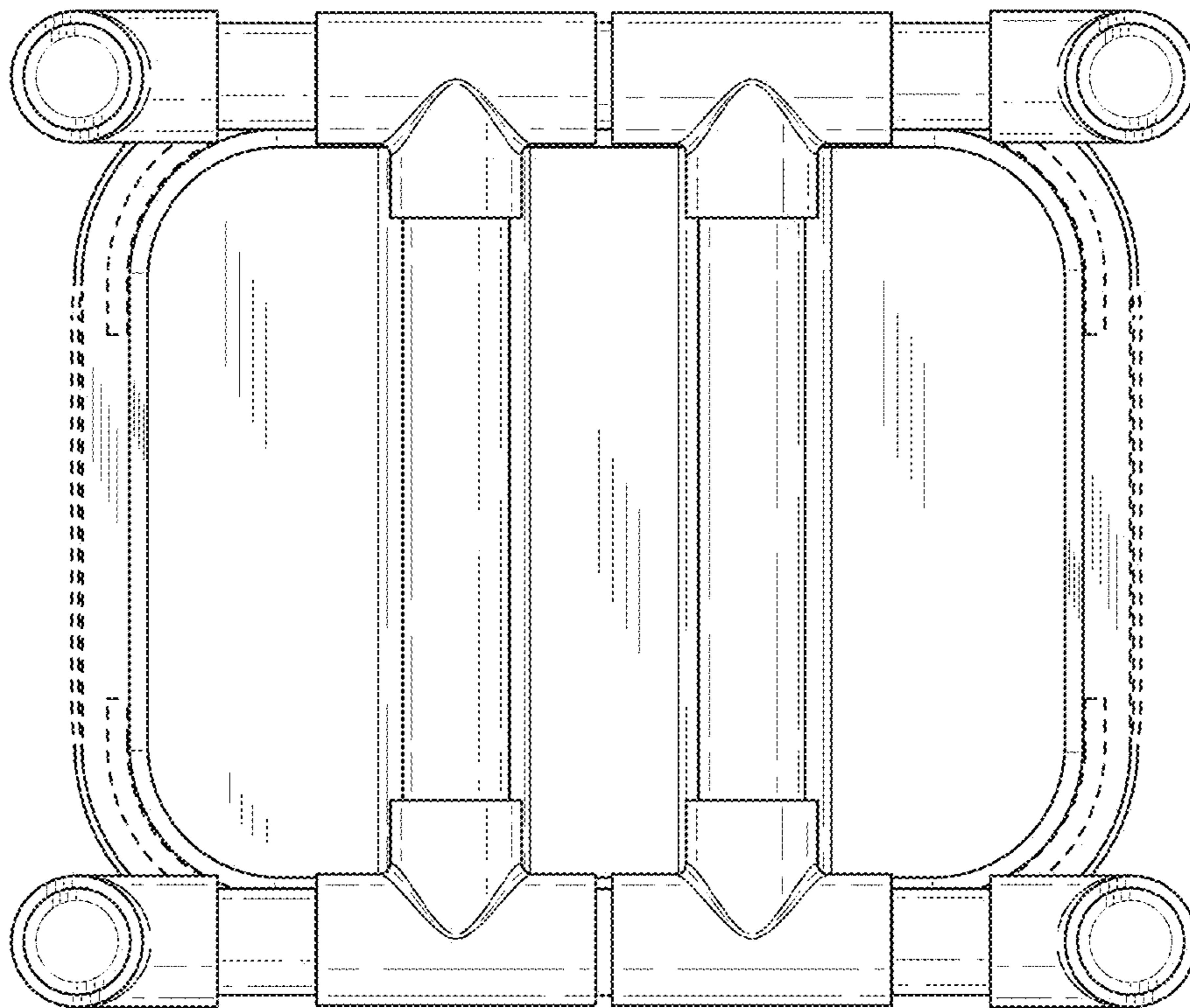


FIG. 7



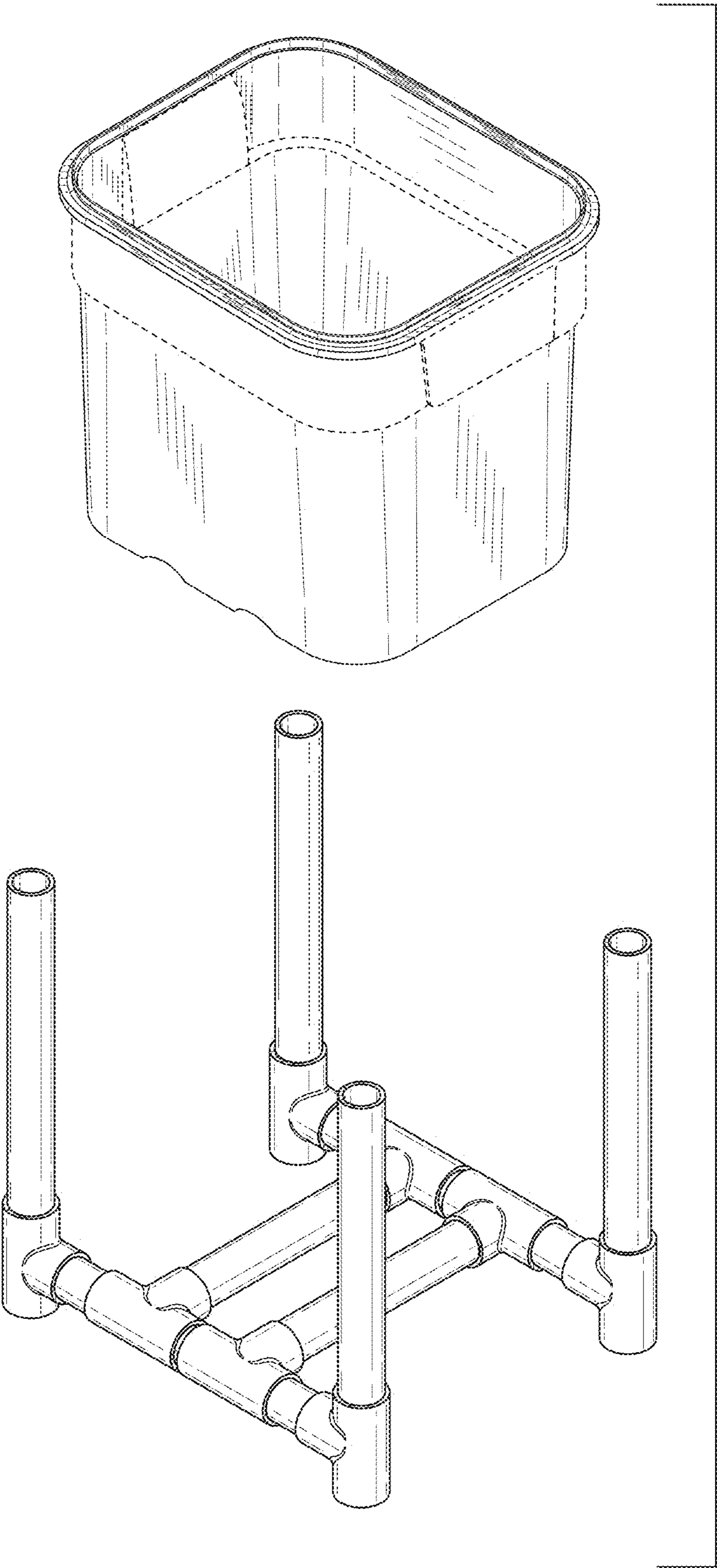


FIG. 8

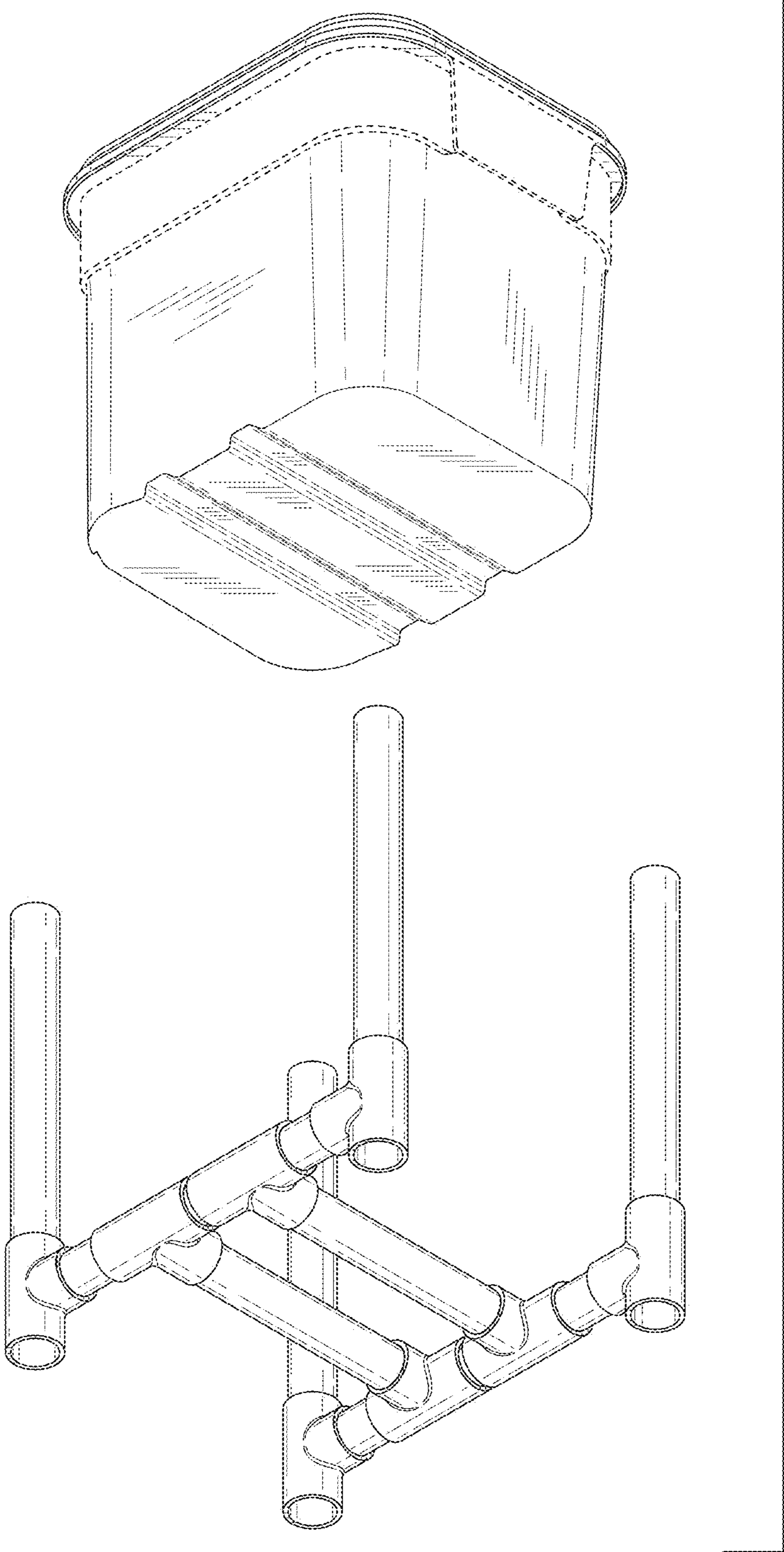


FIG. 9

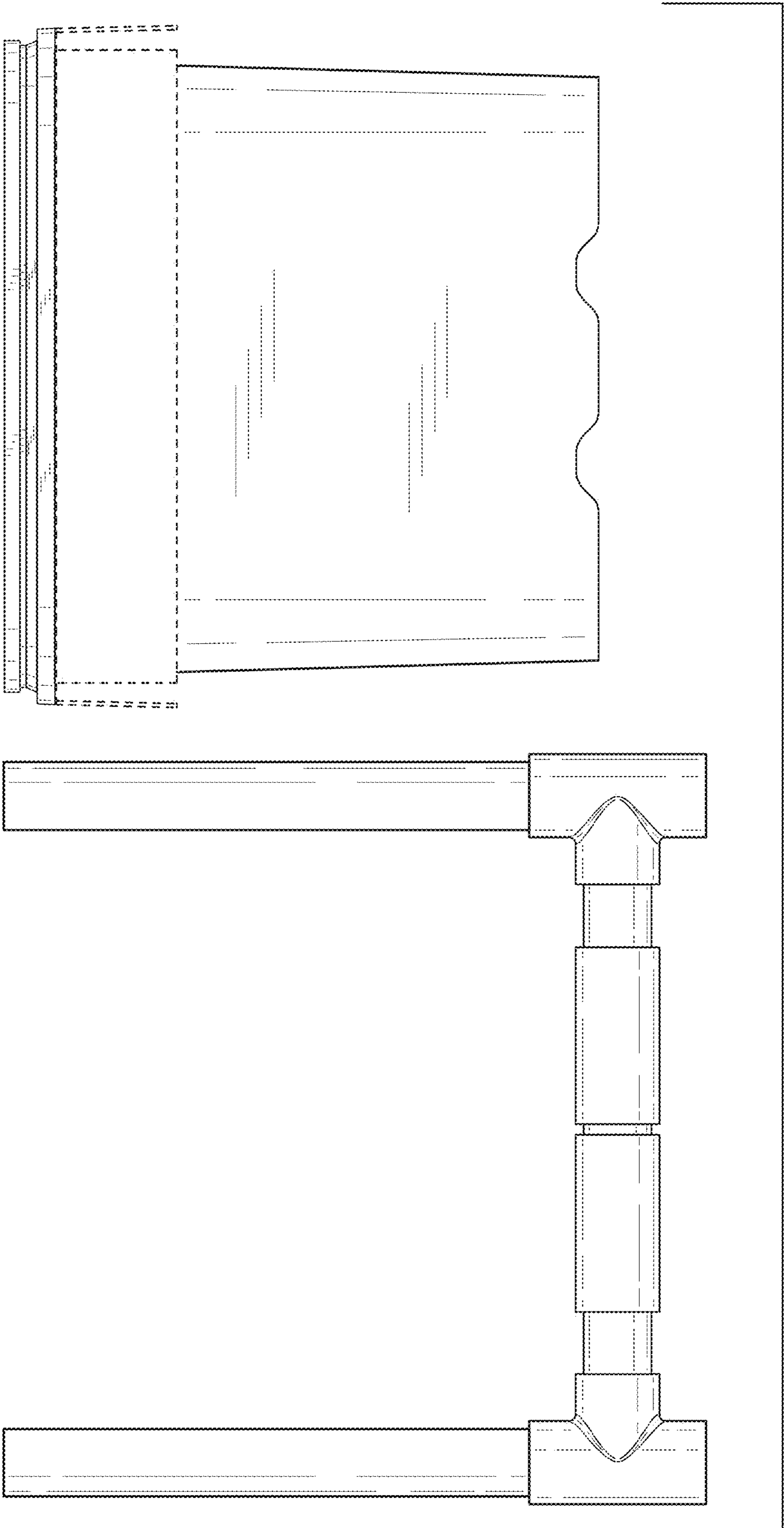


FIG. 10

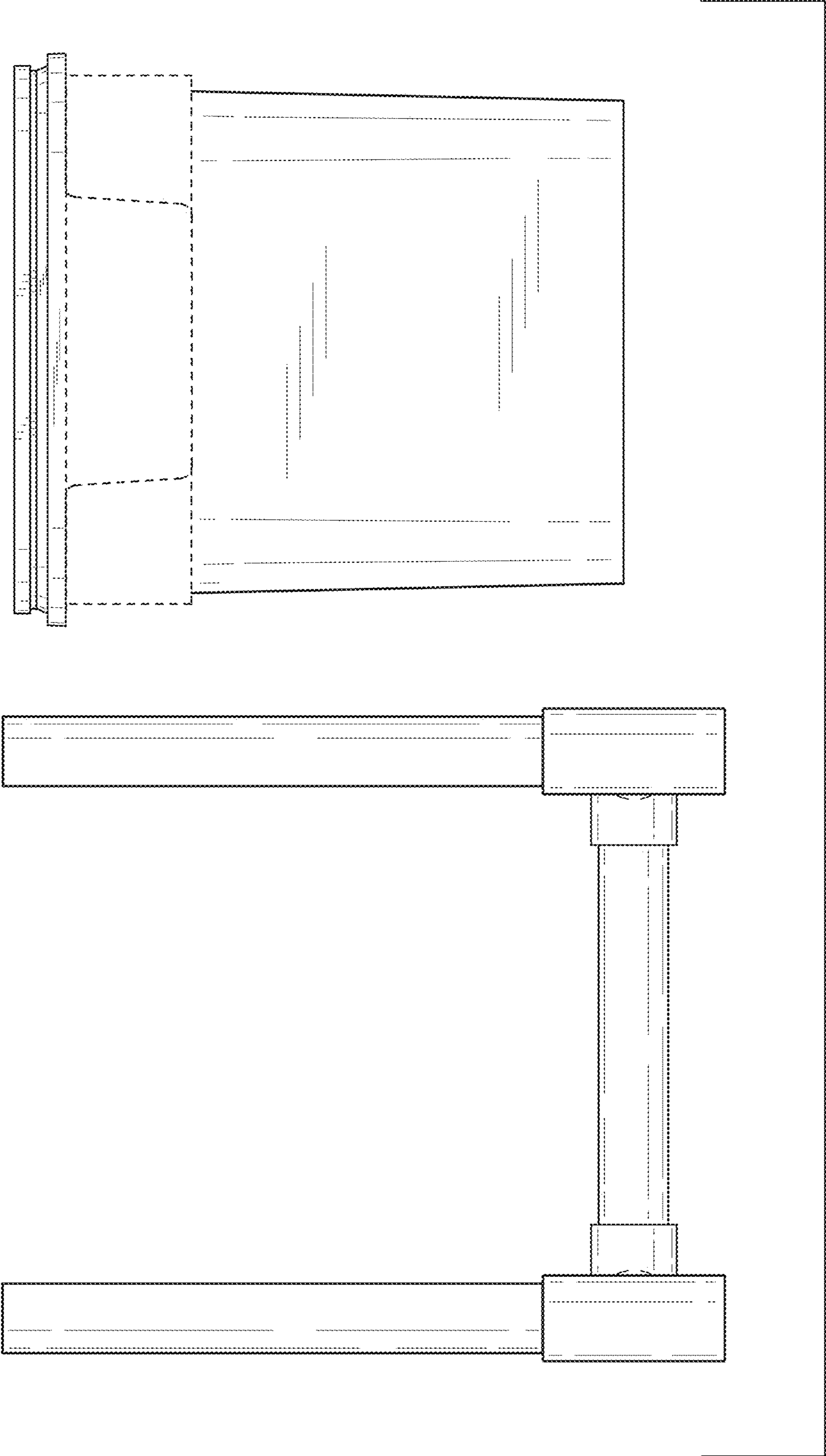


FIG. 11

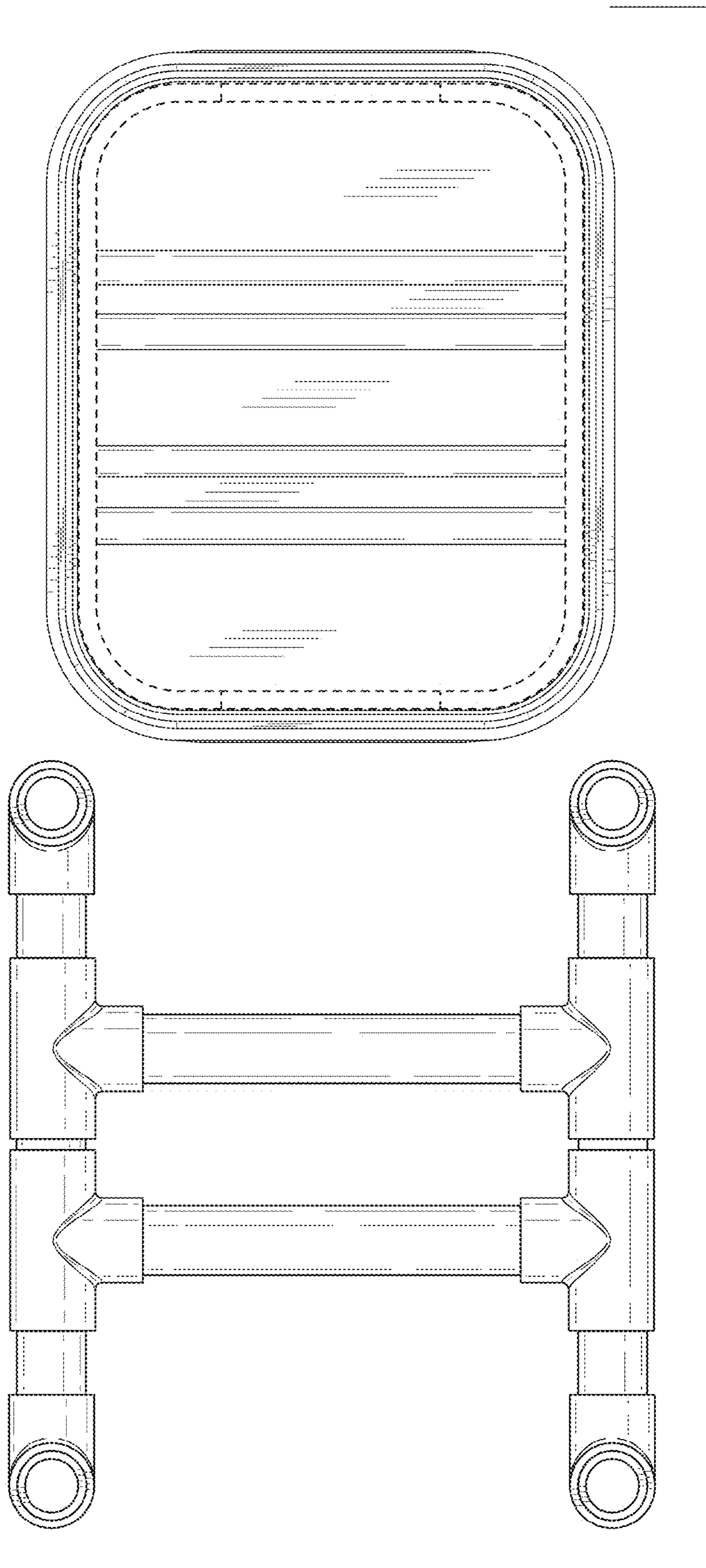


FIG. 12

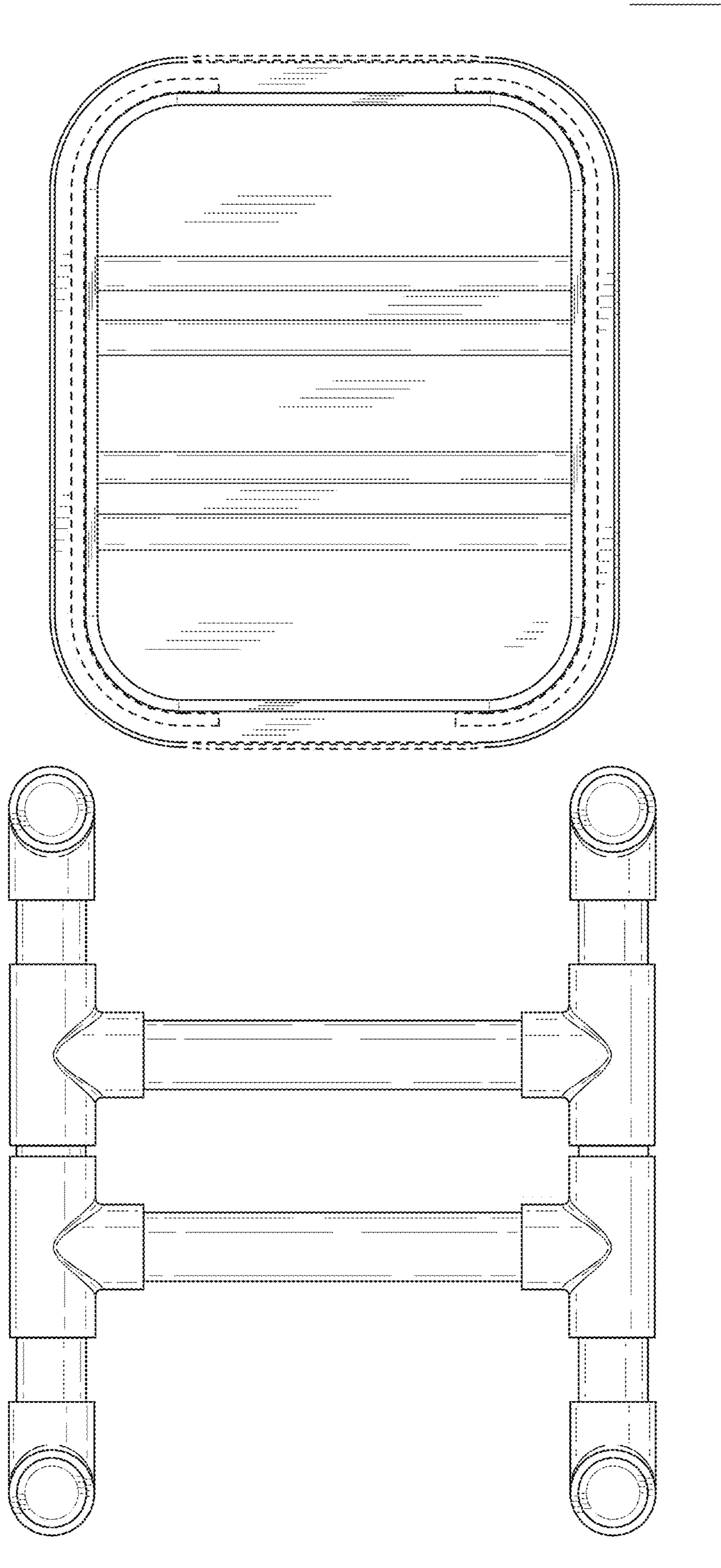


FIG. 13