



US00D951808S

(12) **United States Design Patent**
Solomon

(10) **Patent No.:** **US D951,808 S**

(45) **Date of Patent:** **** May 17, 2022**

(54) **FLOWER ARRANGEMENT FORM**

(71) Applicant: **Shameran Solomon**, Rancho Cucamonga, CA (US)

(72) Inventor: **Shameran Solomon**, Rancho Cucamonga, CA (US)

(**) Term: **15 Years**

(21) Appl. No.: **29/732,817**

(22) Filed: **Apr. 28, 2020**

(51) **LOC (13) Cl.** **11-02**

(52) **U.S. Cl.**
USPC **D11/147**

(58) **Field of Classification Search**
USPC D11/143–156, 164, 139; D6/403–405, D6/556–558; D23/367
CPC . A01G 9/02; A01G 9/021; A01G 9/04; A01G 27/003; A01G 31/06
See application file for complete search history.

(56) **References Cited**

U.S. PATENT DOCUMENTS

- 2,134,812 A * 11/1938 Dick F16K 31/60
16/432
- 3,131,510 A * 5/1964 Engstrom A01G 9/02
47/DIG. 3
- D228,297 S * 9/1973 Mull D11/139
- 3,767,104 A 10/1973 Bachman
- 4,254,957 A * 3/1981 Kramer A63F 3/00574
273/288
- D312,480 S * 11/1990 Darnell D21/437
- D340,480 S * 10/1993 Cummings D21/437
- 5,477,637 A 12/1995 Aldrich
- 5,655,777 A * 8/1997 Neading A63B 65/08
473/594
- 5,758,452 A 6/1998 Matteucci
- D416,138 S * 11/1999 Shaw D6/303
- D416,514 S * 11/1999 Koo D11/164

- D456,304 S * 4/2002 Riley D11/147
- D497,068 S * 10/2004 Lipsztein D6/707.22
- D534,833 S * 1/2007 Brennan D11/147
- D564,938 S 3/2008 Schissler
- D657,471 S * 4/2012 Chin D24/194
- D658,040 S * 4/2012 Ghatikar D8/354
- D677,977 S * 3/2013 O'Connell D7/409
- D682,357 S * 5/2013 Scollin D20/23
- D688,007 S * 8/2013 Sarao D19/103
- D693,888 S 11/2013 Webster
- D714,620 S * 10/2014 Fujioka D8/356
- D715,622 S * 10/2014 Qu D8/499
- D734,401 S * 7/2015 Warner D21/437
- D779,776 S * 2/2017 Petersen D1/120
- D787,372 S * 5/2017 Ketcher D12/16.1
- D795,129 S * 8/2017 Dillard D11/143
- D801,440 S * 10/2017 Pavelsky D21/455
- 9,974,281 B1 * 5/2018 Petersen A23K 40/20
- D820,918 S * 6/2018 Zhong D21/455
- D834,100 S * 11/2018 Chevie D21/455
- D842,757 S * 3/2019 Ward D11/143

(Continued)

FOREIGN PATENT DOCUMENTS

CA 2406451 11/2001

Primary Examiner — Elizabeth A. Albert

(57) **CLAIM**

I claim the ornamental design for a flower arrangement form, as shown and described.

DESCRIPTION

FIG. 1 is a front view of the flower arrangement form showing my new design.

FIG. 2 is a rear view of the claimed design.

FIG. 3 is a left side view of the claimed design.

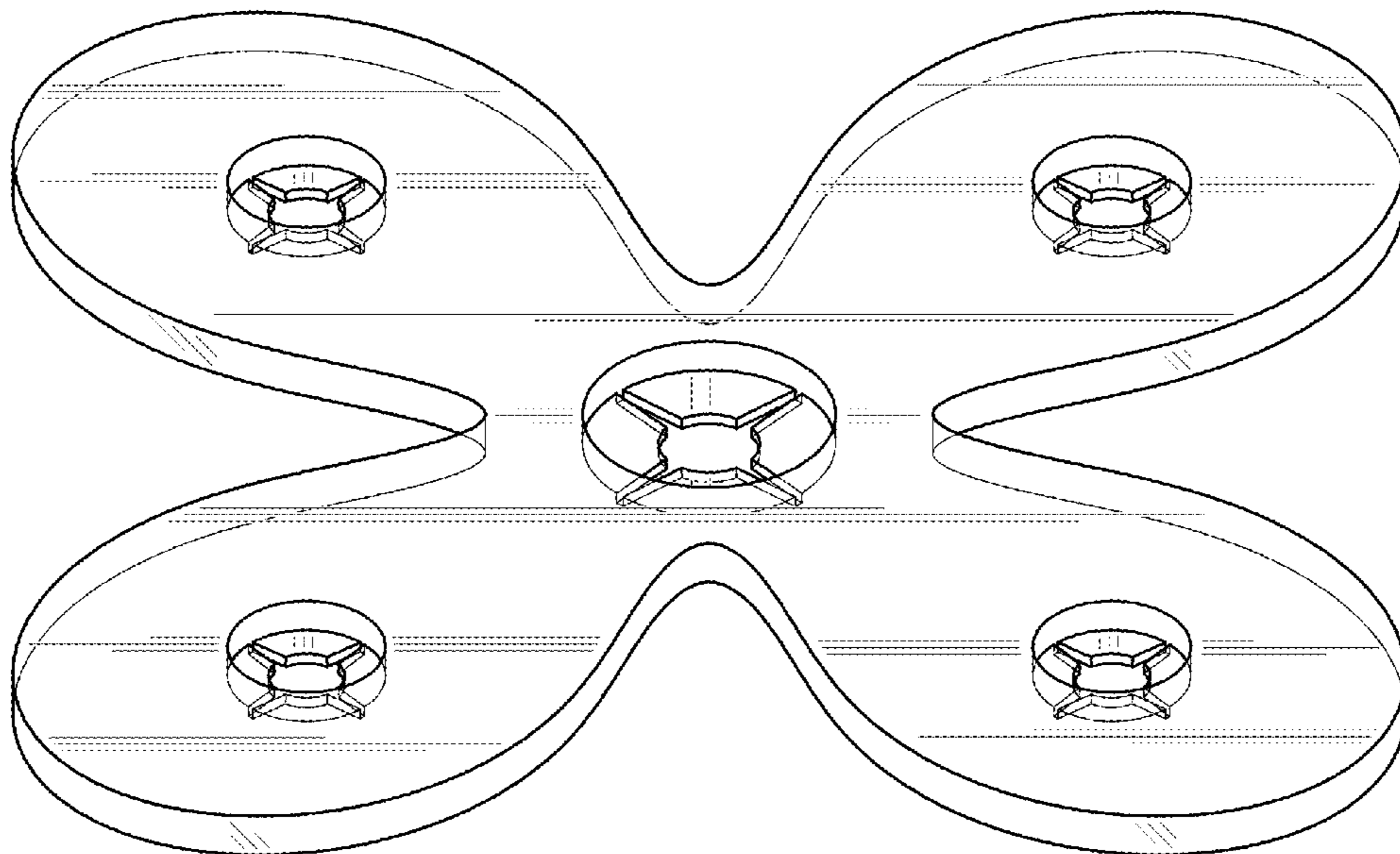
FIG. 4 is a right side view of the claimed design.

FIG. 5 is a top view of the claimed design.

FIG. 6 is a bottom view of the claimed design; and,

FIG. 7 is a perspective view of the claimed design.

1 Claim, 4 Drawing Sheets



(56)

References Cited

U.S. PATENT DOCUMENTS

D856,590 S * 8/2019 Kaplan D28/87
D861,078 S * 9/2019 Lin D21/455
D877,259 S * 3/2020 Adkins D21/441
2003/0150158 A1 8/2003 Wright
2005/0091917 A1 5/2005 Brennan
2006/0265951 A1 11/2006 Foster
2013/0000563 A1* 1/2013 Shen A01K 15/025
156/77
2016/0106043 A1 4/2016 Eiler
2017/0084181 A1* 3/2017 Wilson G08G 5/0056

* cited by examiner

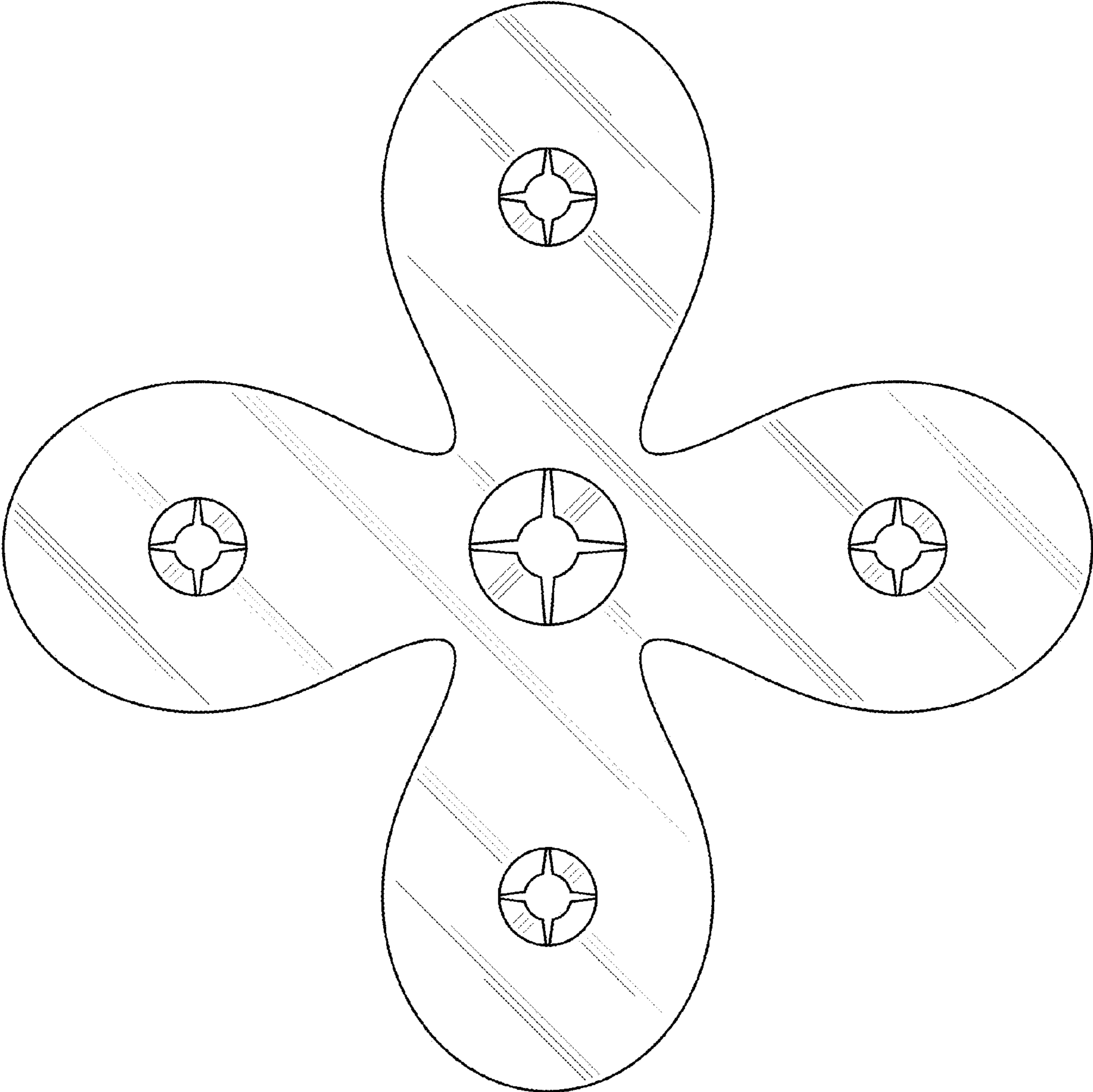


FIG. 1

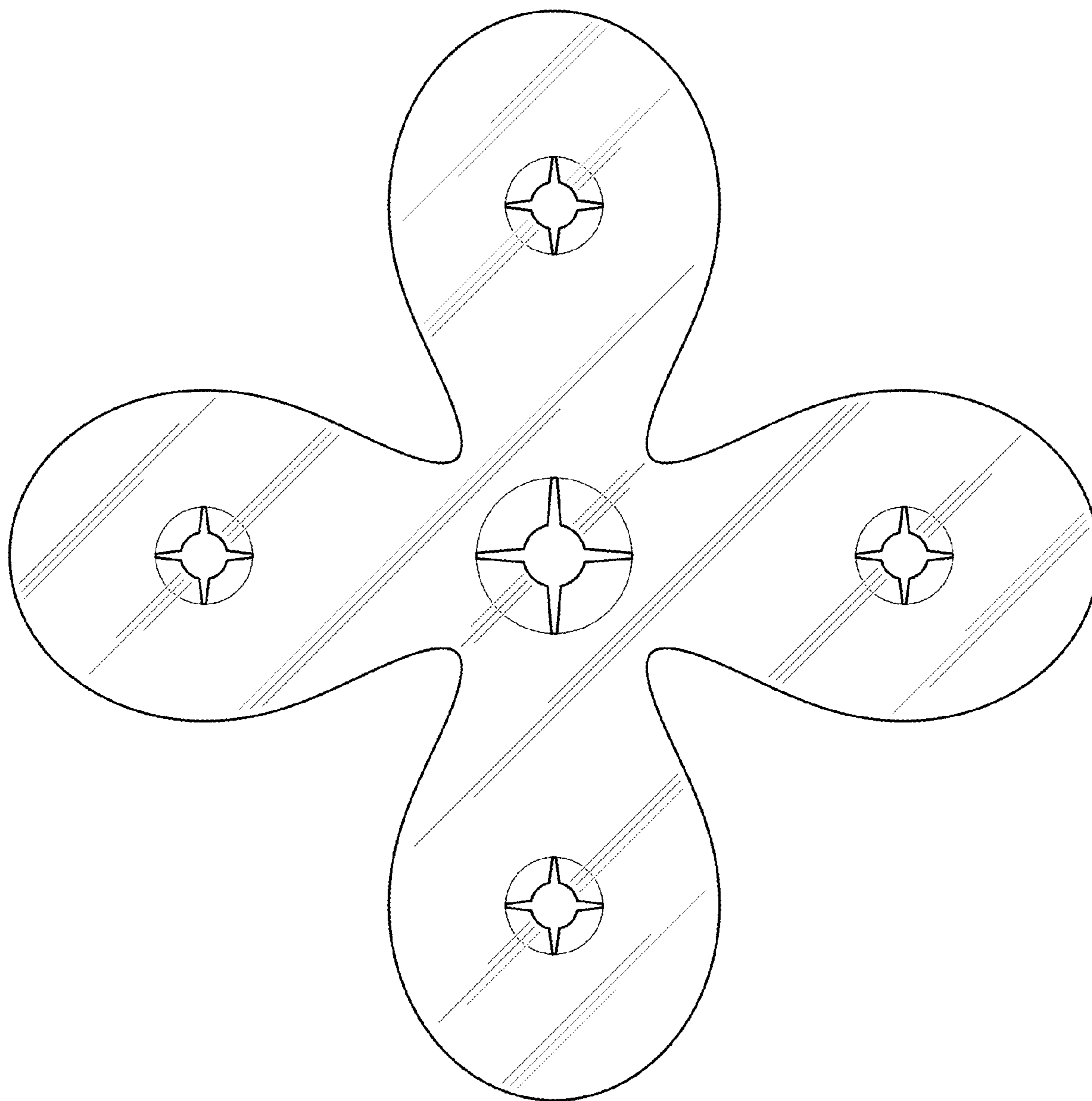


FIG. 2



FIG. 3



FIG. 4



FIG. 5



FIG. 6

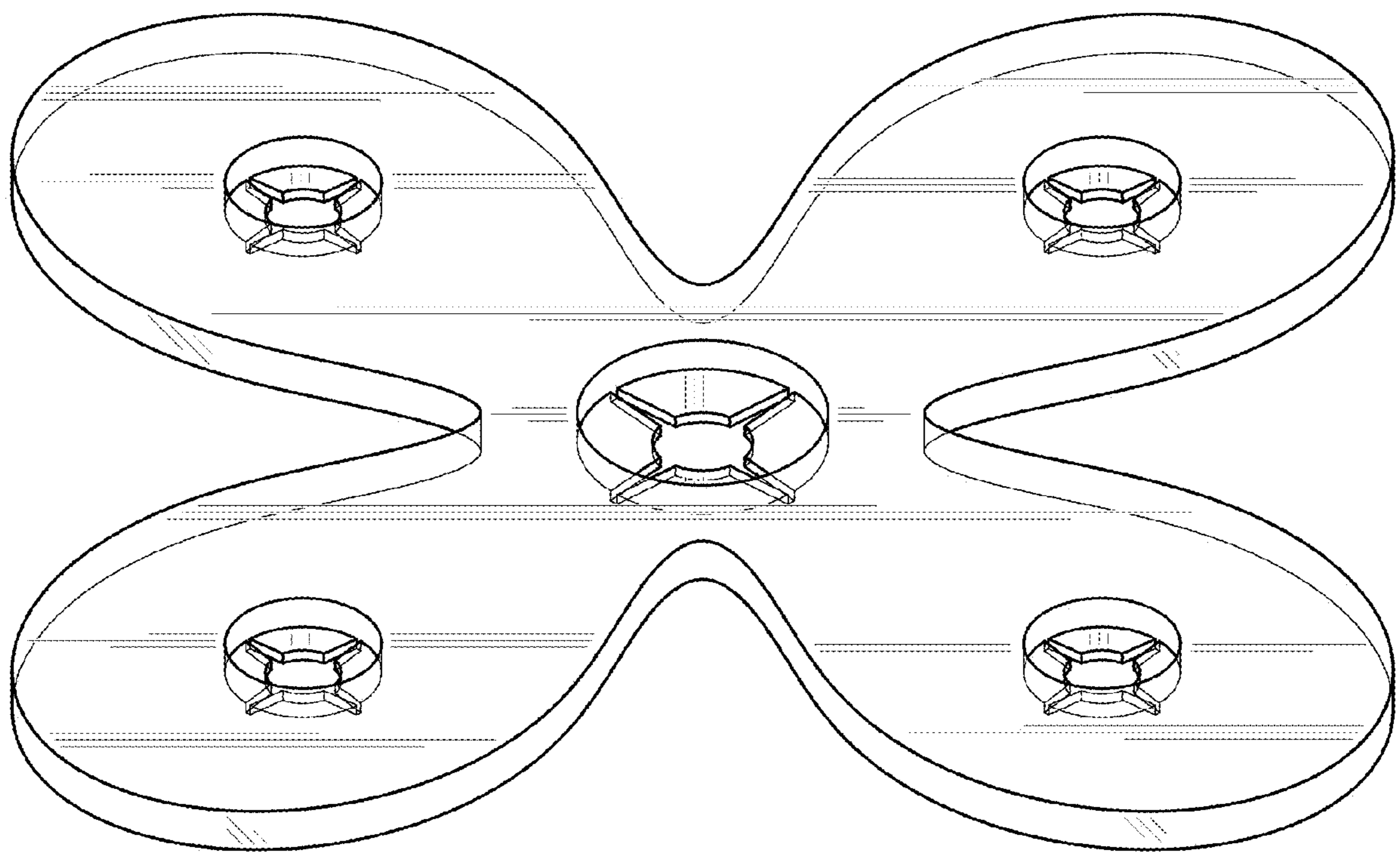


FIG. 7