



US00D951806S

(12) **United States Design Patent** (10) **Patent No.:** **US D951,806 S**  
**Padeh et al.** (45) **Date of Patent:** **\*\* May 17, 2022**

(54) **OVAL STONE**

- (71) Applicant: **Dov Padeh**, Cedarhurst, NY (US)
- (72) Inventors: **Dov Padeh**, Cedarhurst, NY (US); **Wolf Gluck**, Monroe, NY (US)
- (73) Assignee: **Dov Padeh**, Cedarhurst, NY (US)
- (\*\*) Term: **15 Years**
- (21) Appl. No.: **29/764,189**
- (22) Filed: **Dec. 29, 2020**
- (51) **LOC (13) Cl.** ..... **11-01**
- (52) **U.S. Cl.**  
USPC ..... **D11/90**
- (58) **Field of Classification Search**  
USPC ... D11/1, 3, 7, 8, 26, 34-40, 42, 43, 79, 86,  
D11/89-92, 16; D1/106, 127  
CPC ..... A44C 17/00; A44C 17/001; A44C 17/002;  
A44C 17/003; A44C 17/005; A44C  
17/006; A44C 17/007; A44C 17/008  
See application file for complete search history.

(56) **References Cited**

**U.S. PATENT DOCUMENTS**

D319,033 S *	8/1991	Chia	.....	A44C 17/001 D11/93
D571,250 S *	6/2008	Lichtenstein	.....	A44C 17/001 D11/90
D592,540 S *	5/2009	Rydlawicz	.....	D11/90
D596,525 S *	7/2009	Peled	.....	D11/90
D608,684 S *	1/2010	Swarovski	.....	D11/90
D647,815 S *	11/2011	Froehlich	.....	D11/90
D732,419 S *	6/2015	Wong	.....	D11/86
D813,084 S *	3/2018	Slowinski	.....	D11/90

(Continued)

**FOREIGN PATENT DOCUMENTS**

CN	300735533	*	1/2008
CN	301588263	*	6/2011

**OTHER PUBLICATIONS**

Pc02133a Ten Ray Star Oval, Wolkonsky, ANGLES, Apr. 1994, [online], [site visited Nov. 19, 2021]. Retrieved from url:http://www.facetdiagrams.org/database/files/pc02133a.html (Year: 1994).\*

*Primary Examiner* — Michelle E. Wilson  
*Assistant Examiner* — Tracey J Bell

(74) *Attorney, Agent, or Firm* — Ostrager Chong Flaherty & Broitman P.C.

(57) **CLAIM**

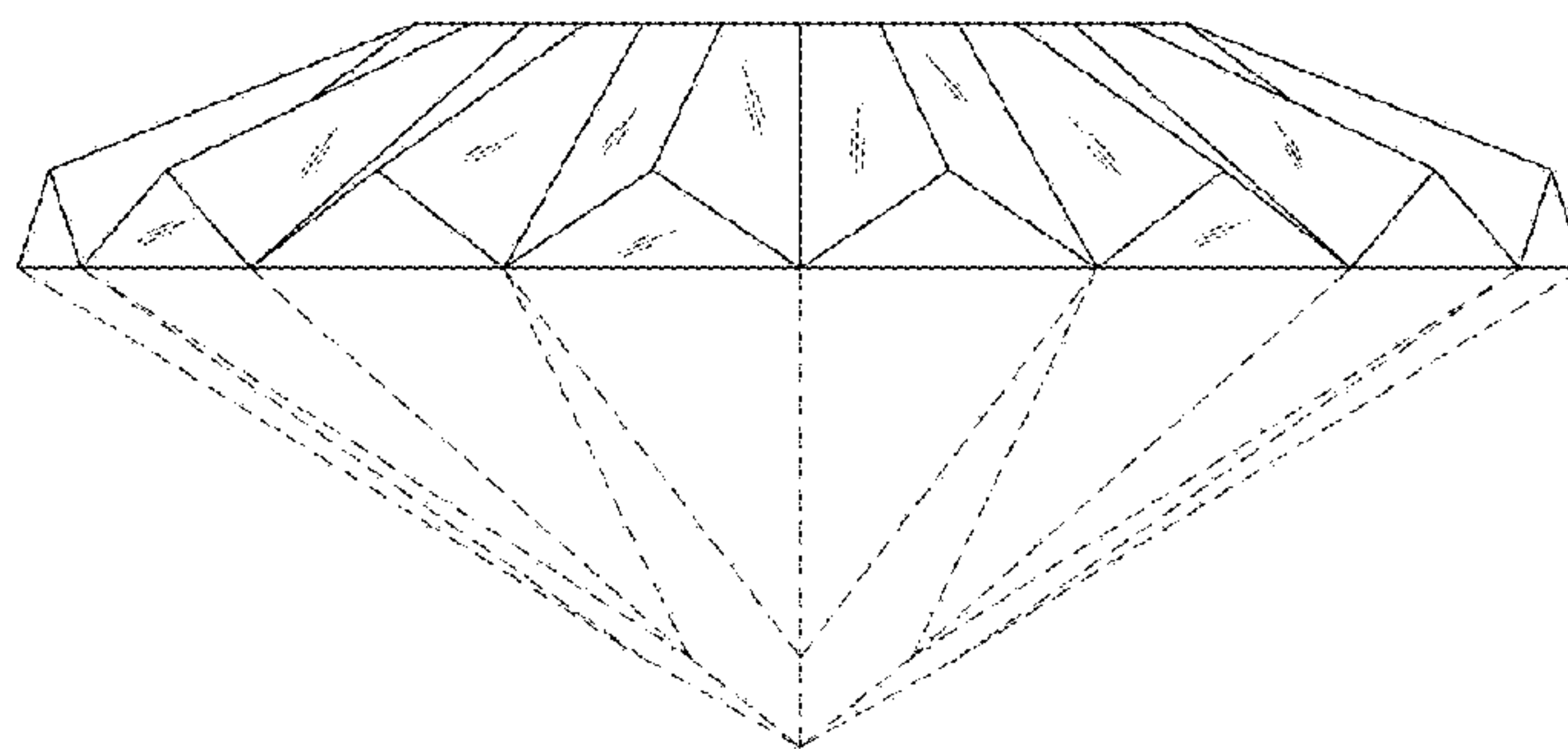
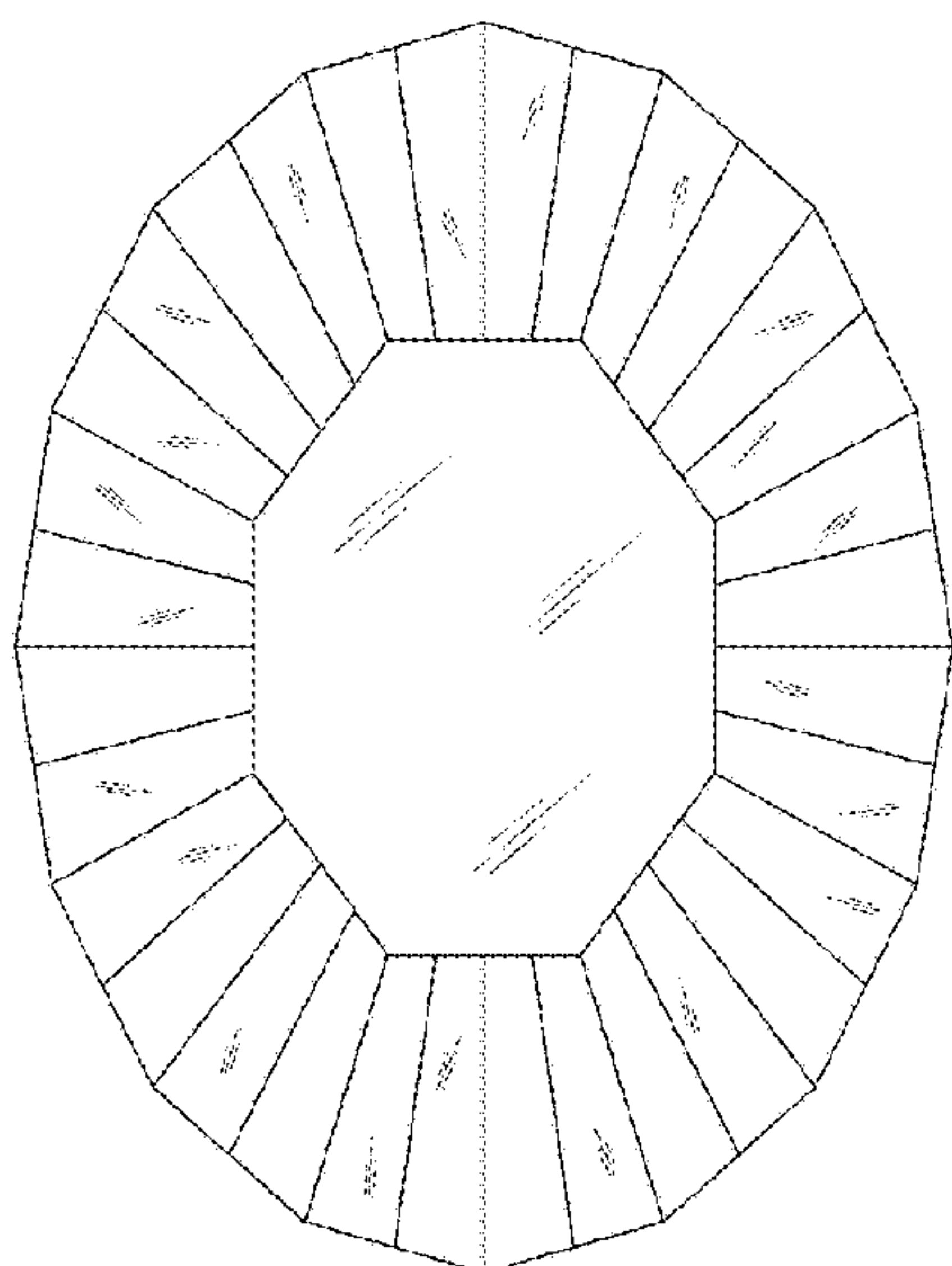
We claim the ornamental design for an oval stone, as shown and described.

**DESCRIPTION**

FIG. 1 is a top, front, and right side perspective view of an oval stone;  
FIG. 2 is a bottom, front, and left side perspective view thereof;  
FIG. 3 is a top view thereof;  
FIG. 4 is a bottom view thereof; and  
FIG. 5 is a left side view thereof, the right side view being a mirror image thereof;  
FIG. 6 is a front side view thereof, the rear side view being a mirror image thereof;  
FIG. 7 is a top, front, and right side perspective view of an alternative embodiment of an oval stone;  
FIG. 8 is a bottom, front, and left side perspective view thereof;  
FIG. 9 is a top view thereof;  
FIG. 10 is a bottom view thereof; and  
FIG. 11 is a left side view thereof, the right side view being a mirror image thereof; and,  
FIG. 12 is a front side view thereof, the rear side view being a mirror image thereof.

The broken lines in FIGS. 1, 2, 4, 5, 6, 7, 8, 10, 11, and 12 depict portions of the oval stone that form no part of the claimed design.

**1 Claim, 6 Drawing Sheets**



(56)

**References Cited**

U.S. PATENT DOCUMENTS

D868,615 S \* 12/2019 Bhosale ..... D11/91  
D897,886 S \* 10/2020 Slowinski ..... D11/90  
2008/0271488 A1\* 11/2008 Rydlewicz ..... A44C 17/001  
63/32  
2011/0265514 A1\* 11/2011 Fakier ..... A44C 17/001  
63/12

\* cited by examiner

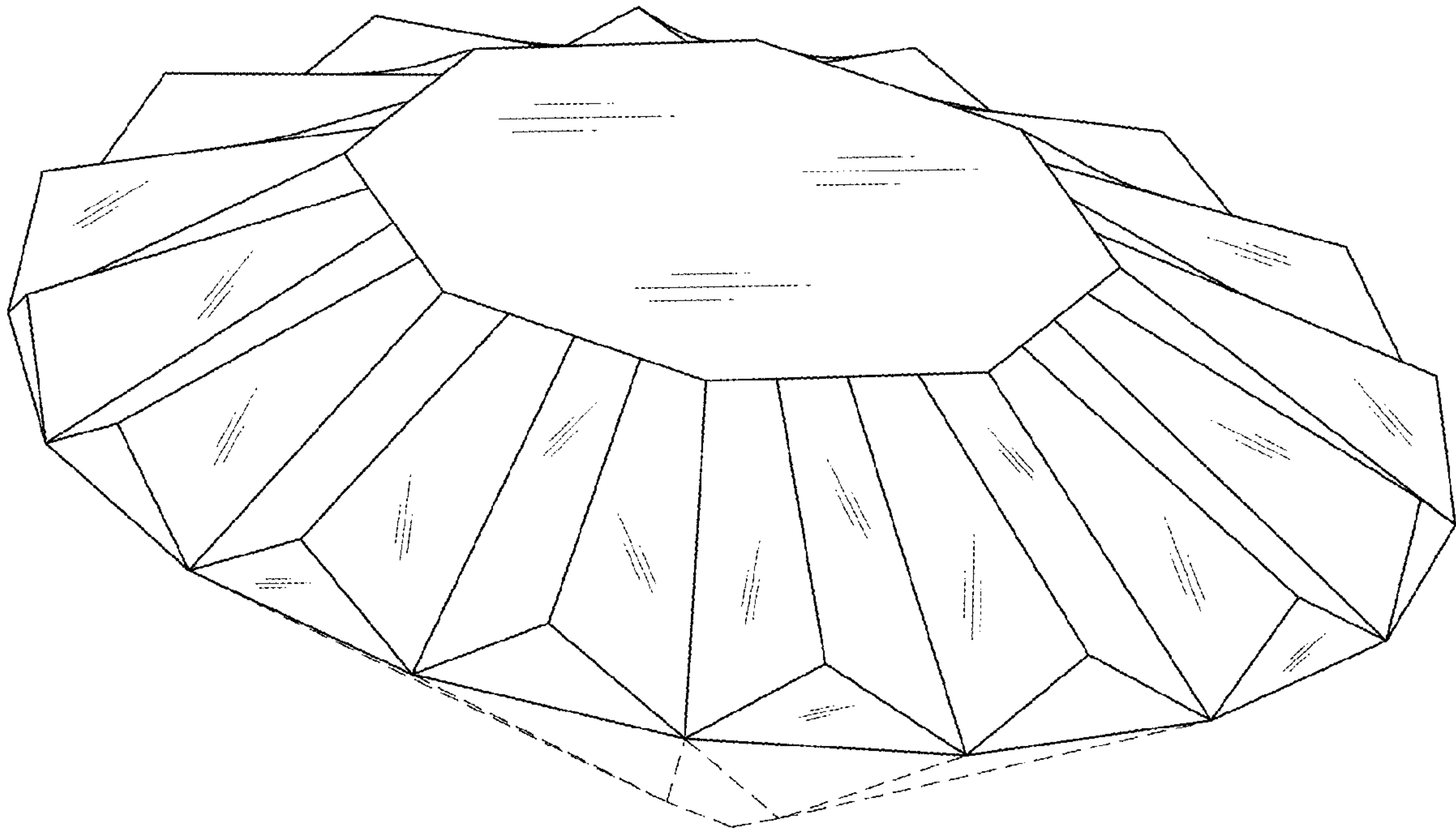


FIG. 1

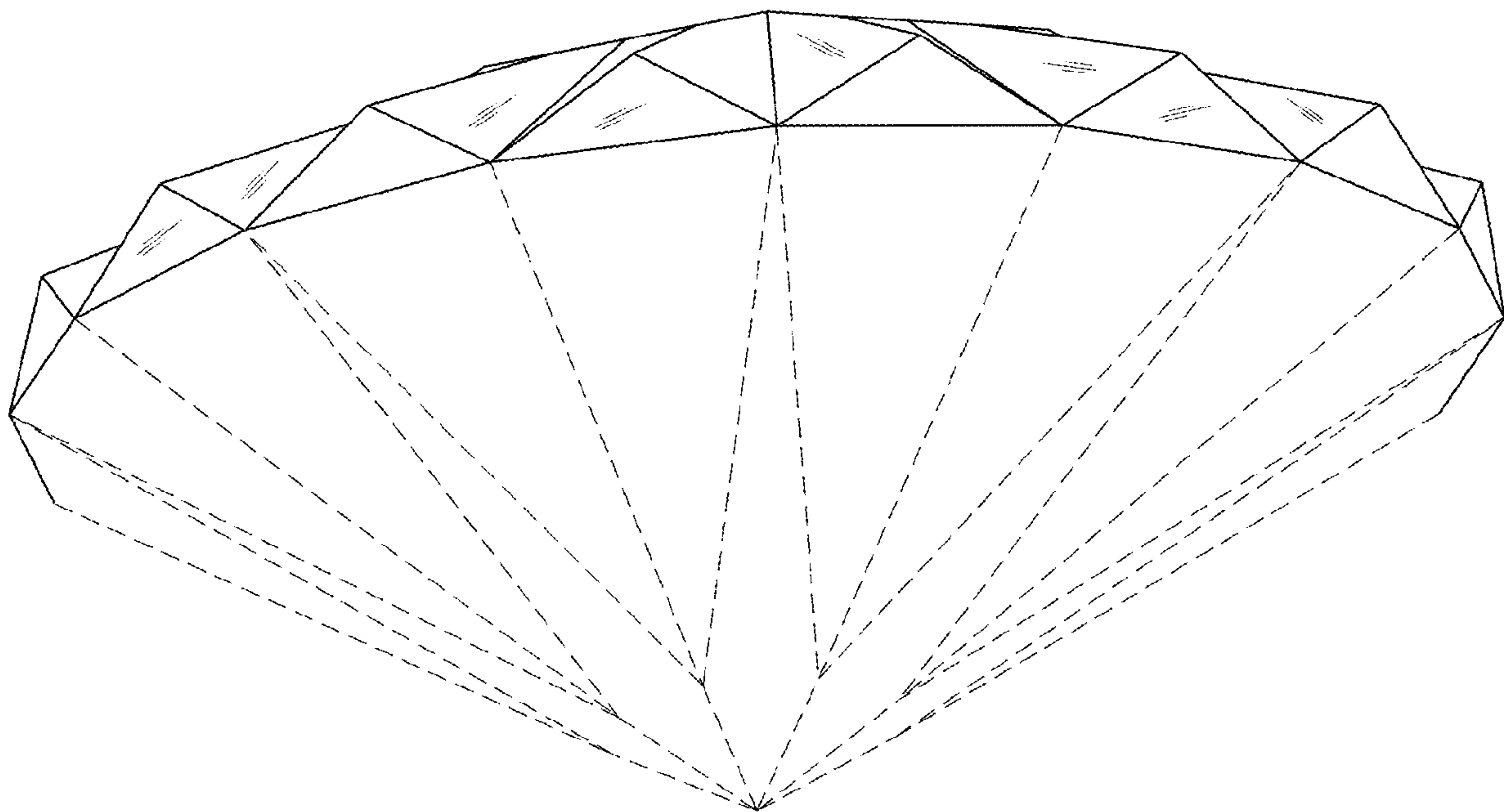


FIG. 2

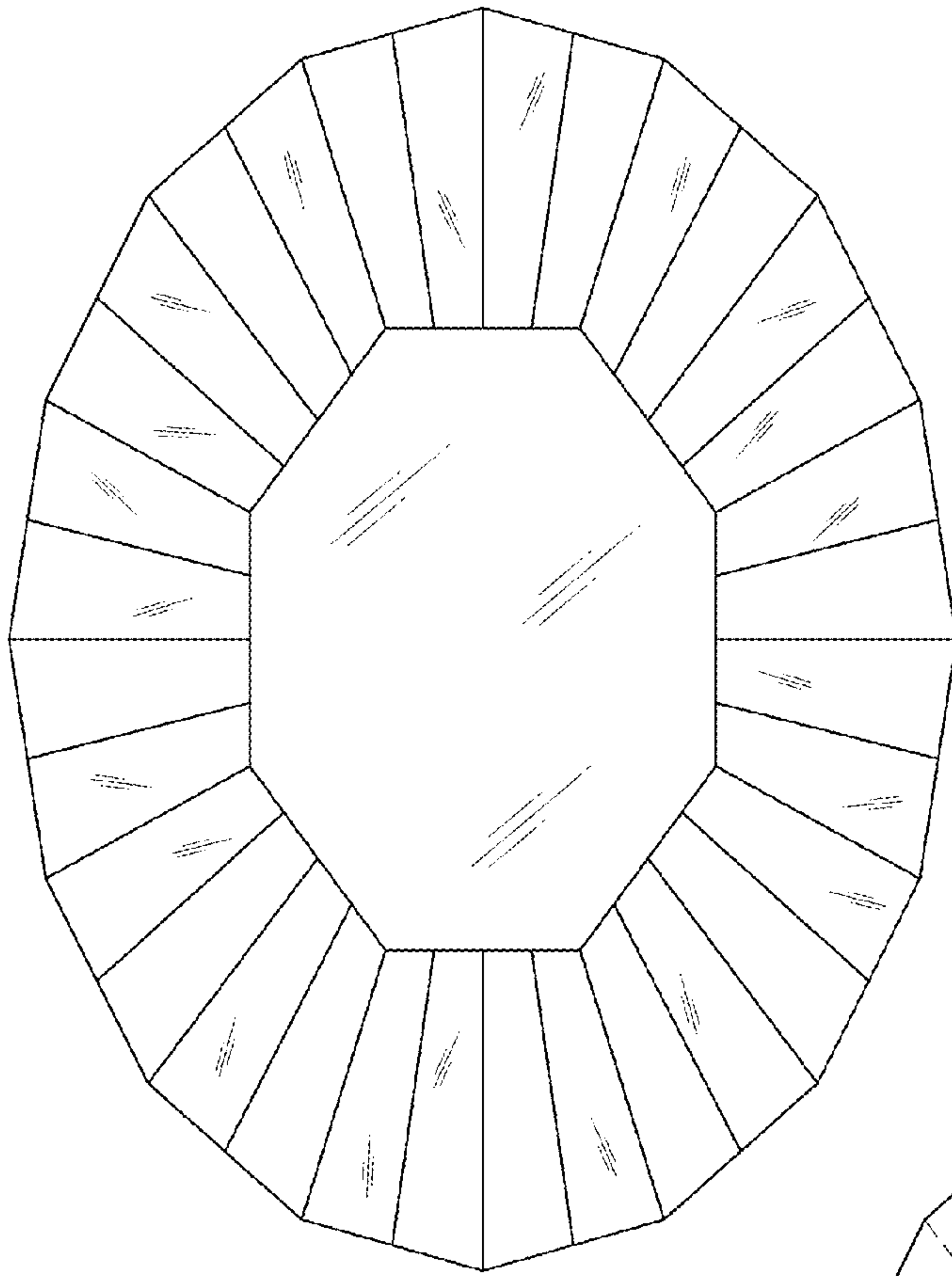


FIG. 3

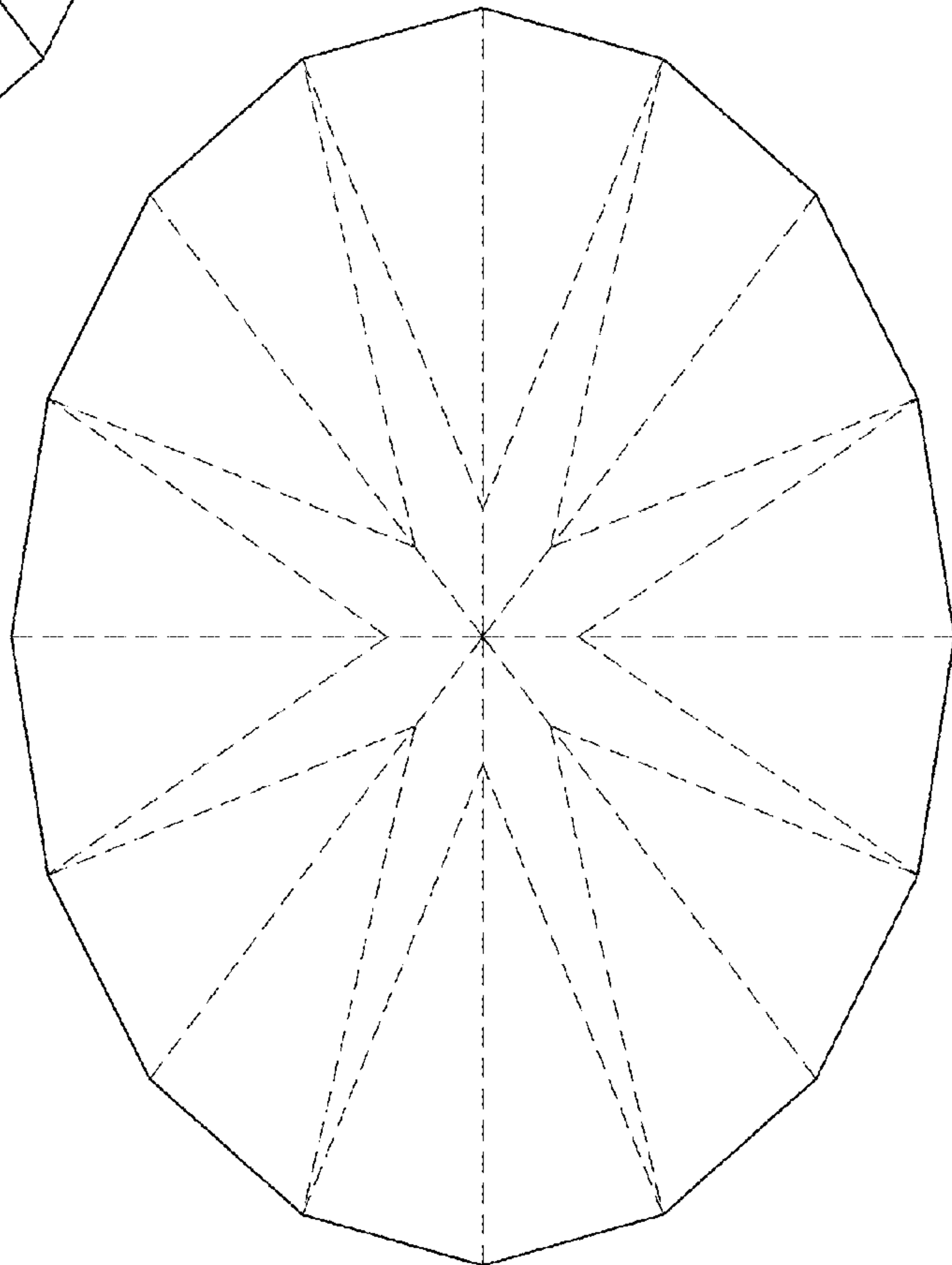


FIG. 4



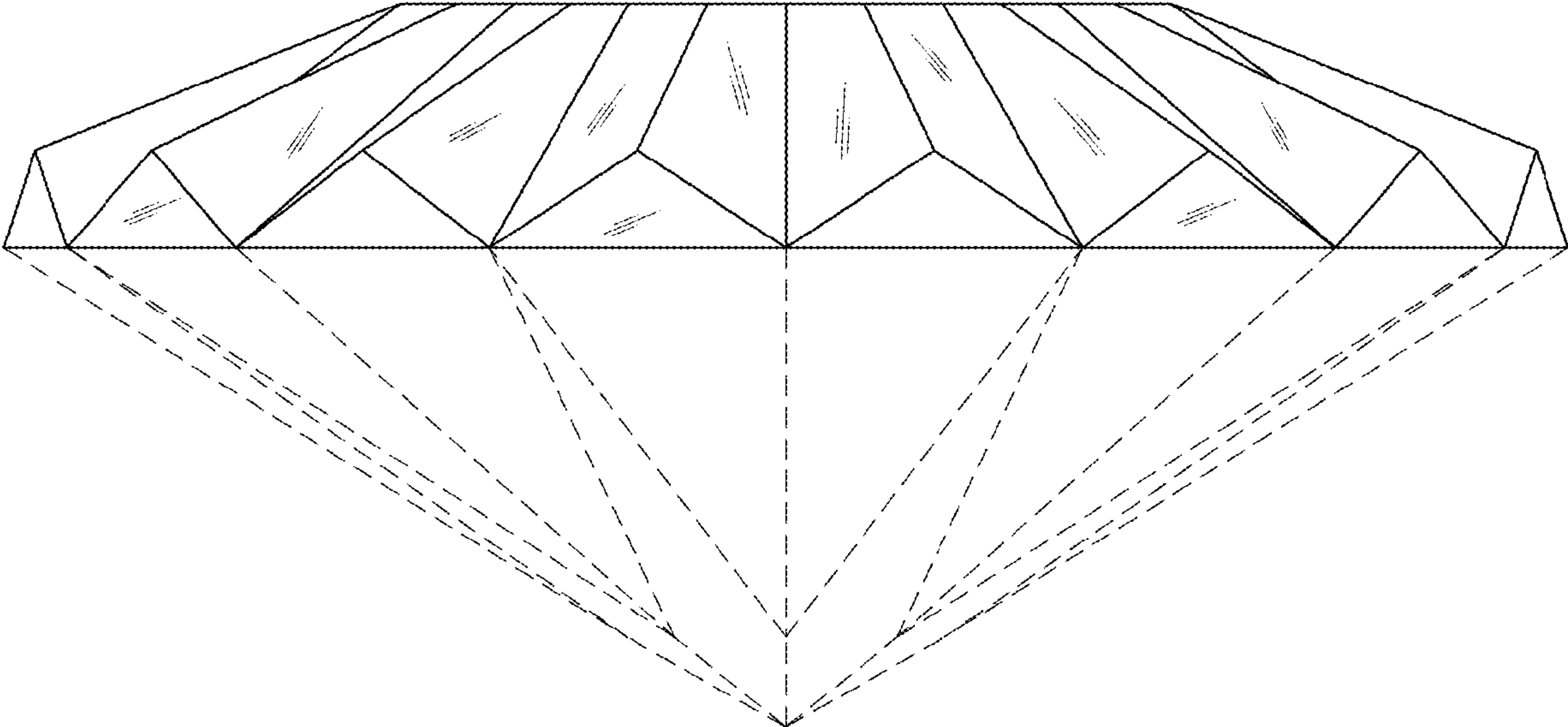


FIG. 5

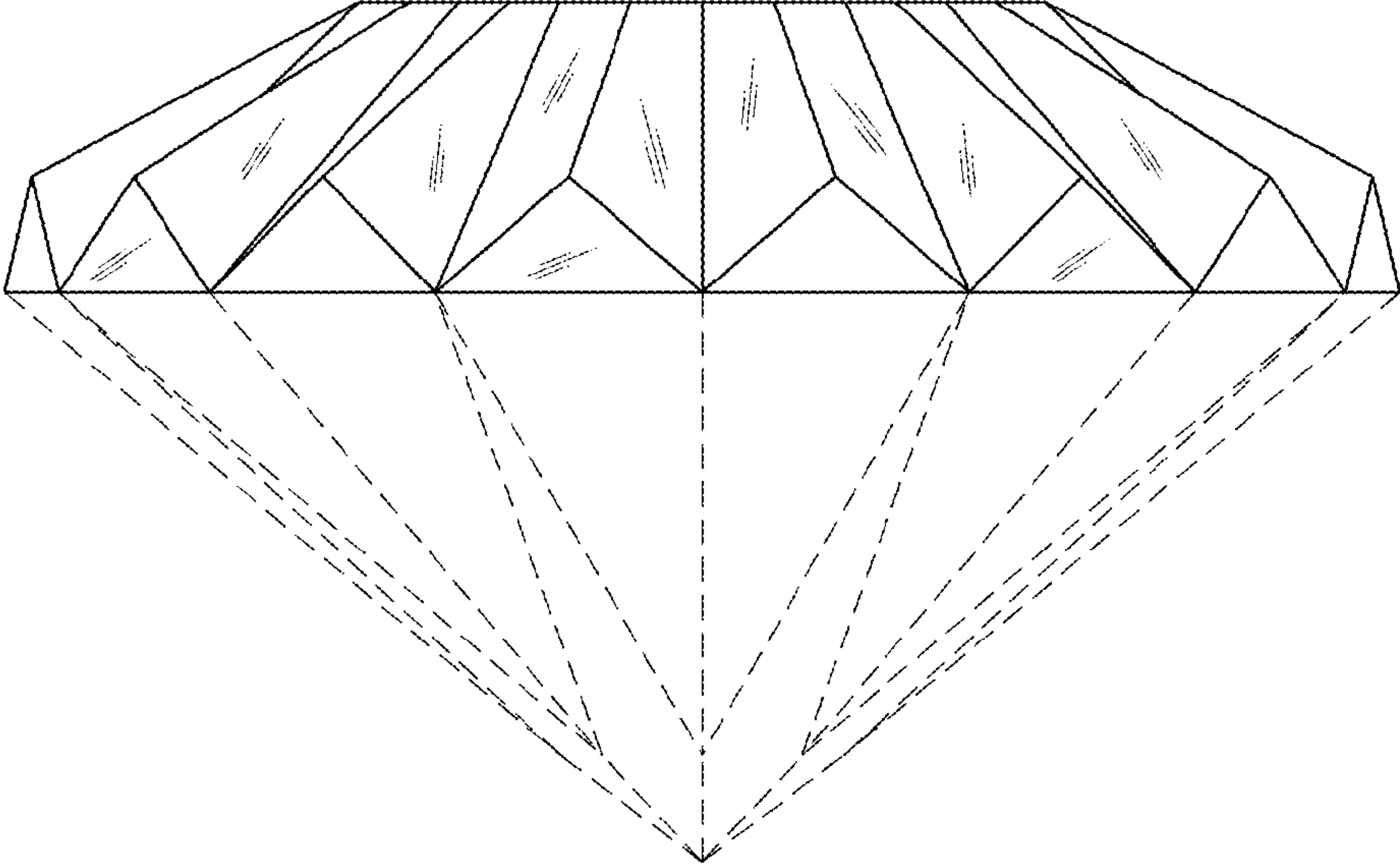


FIG. 6

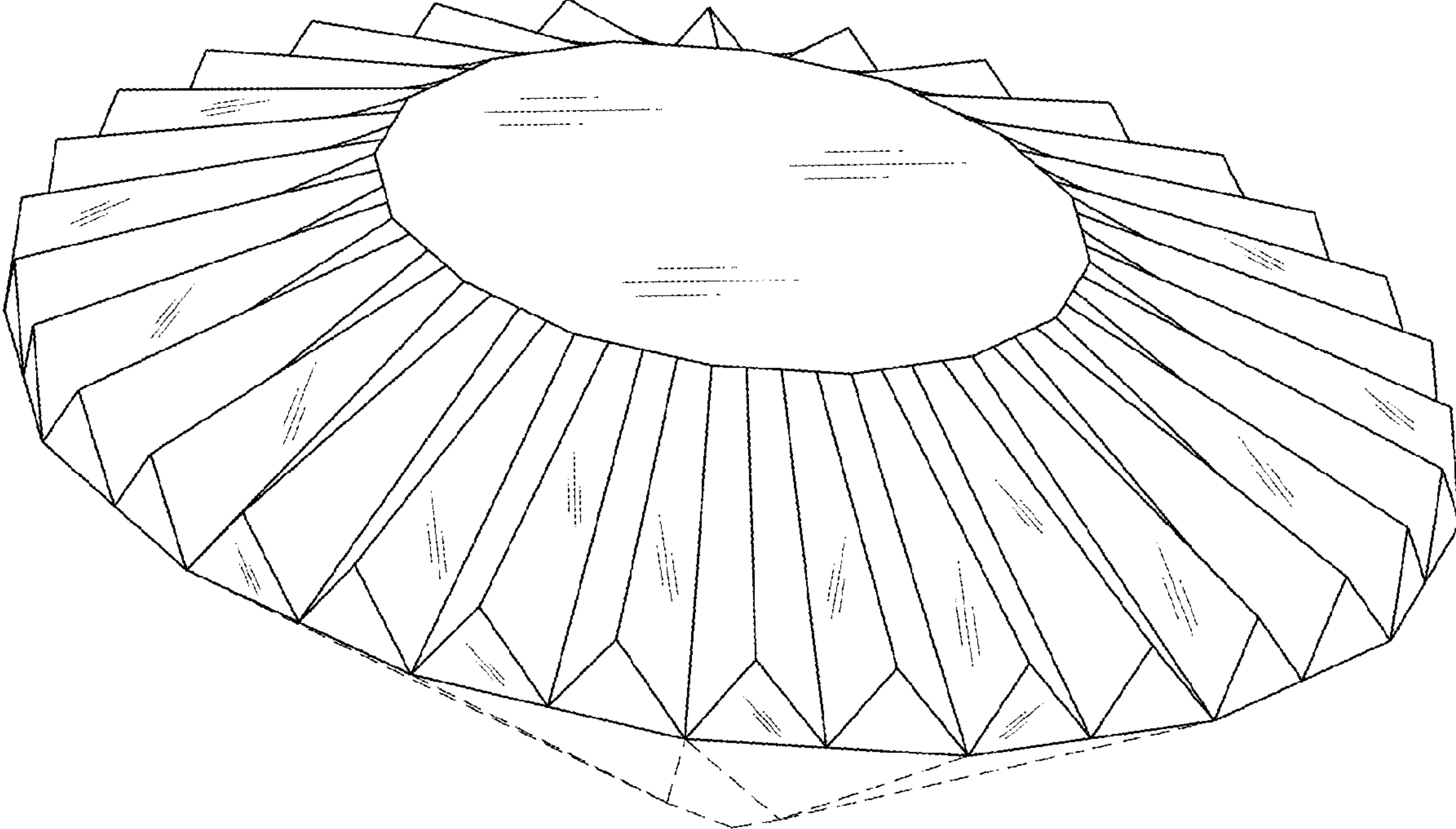


FIG. 7

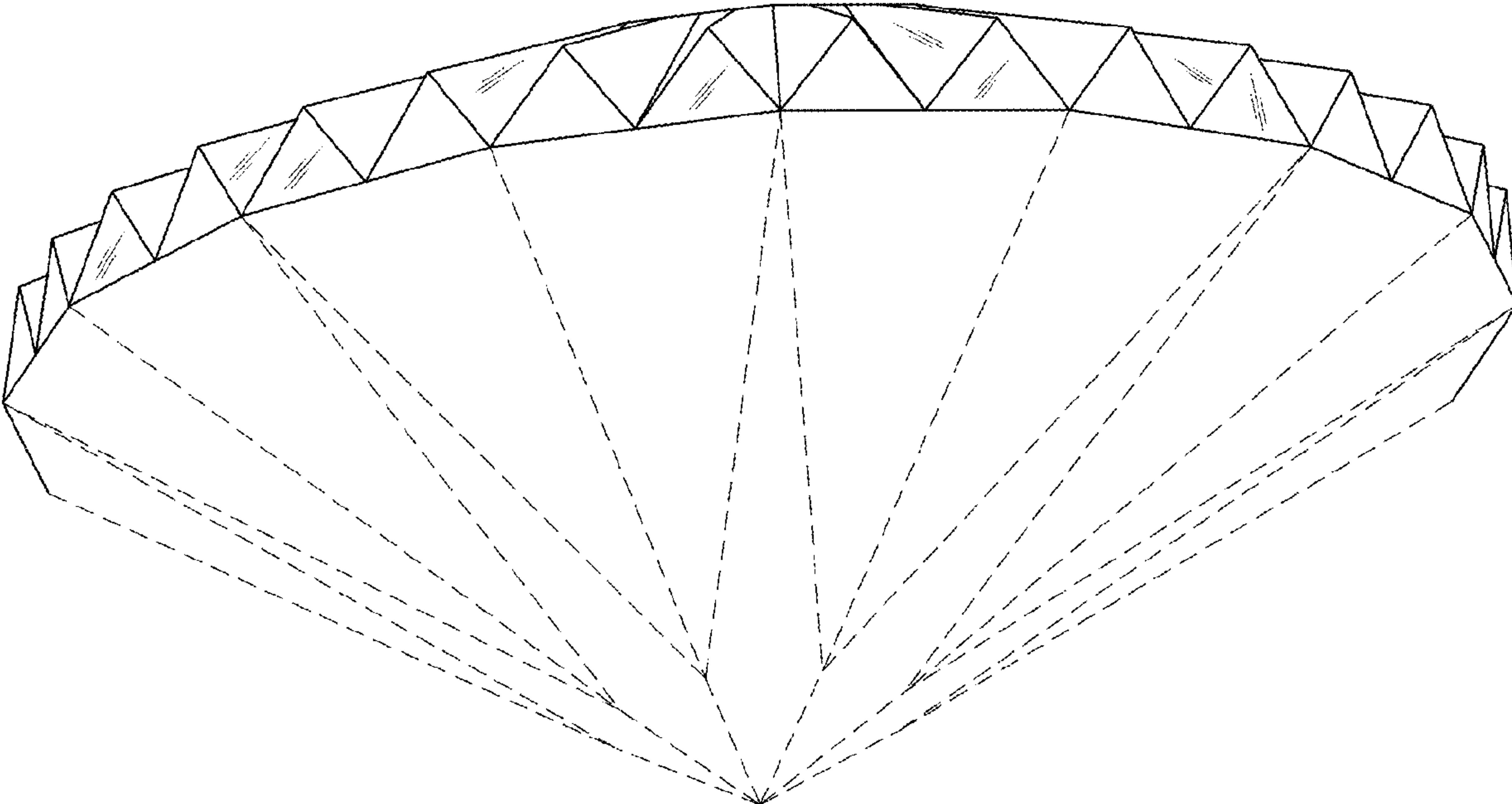


FIG. 8

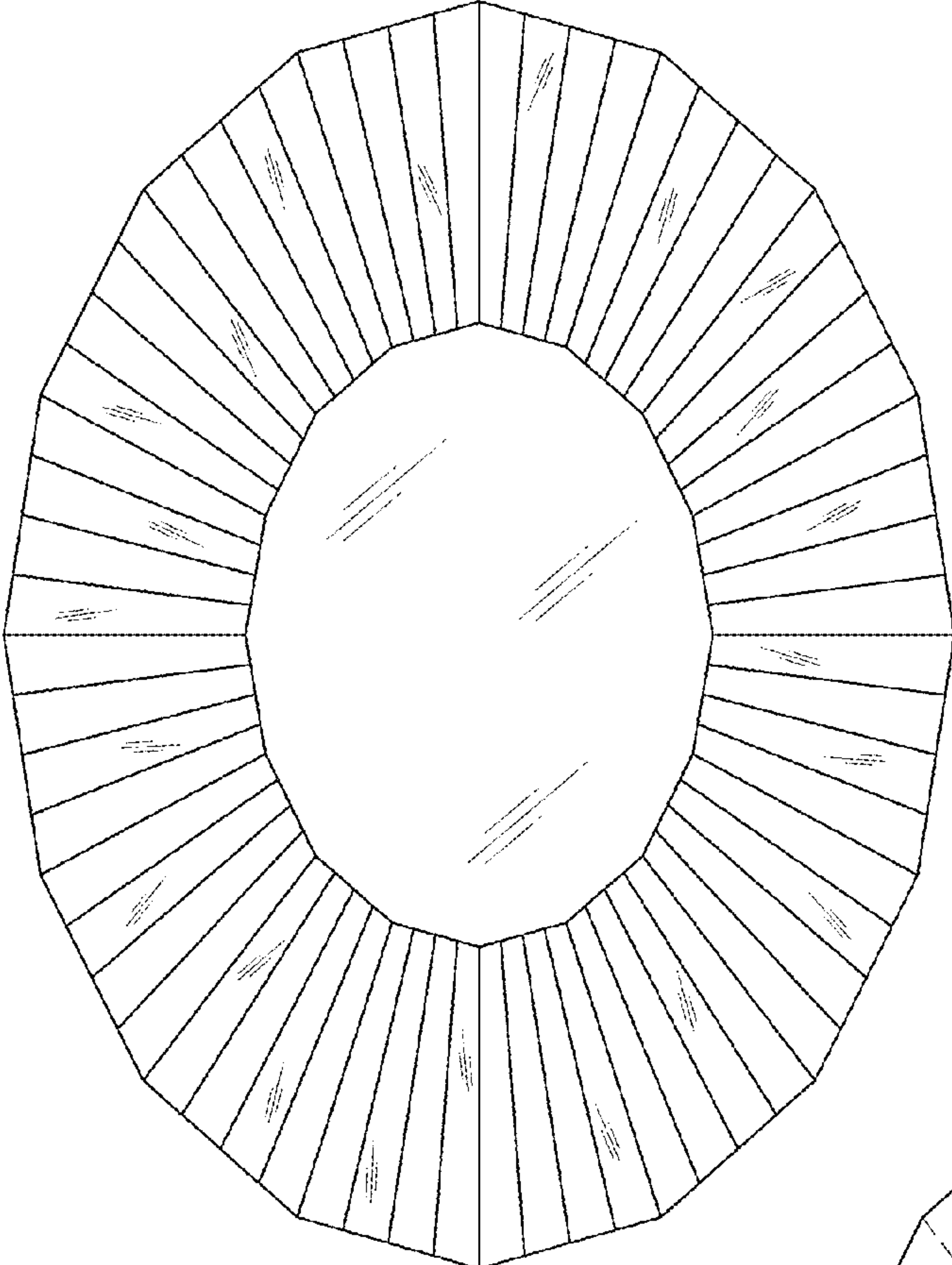


FIG. 9

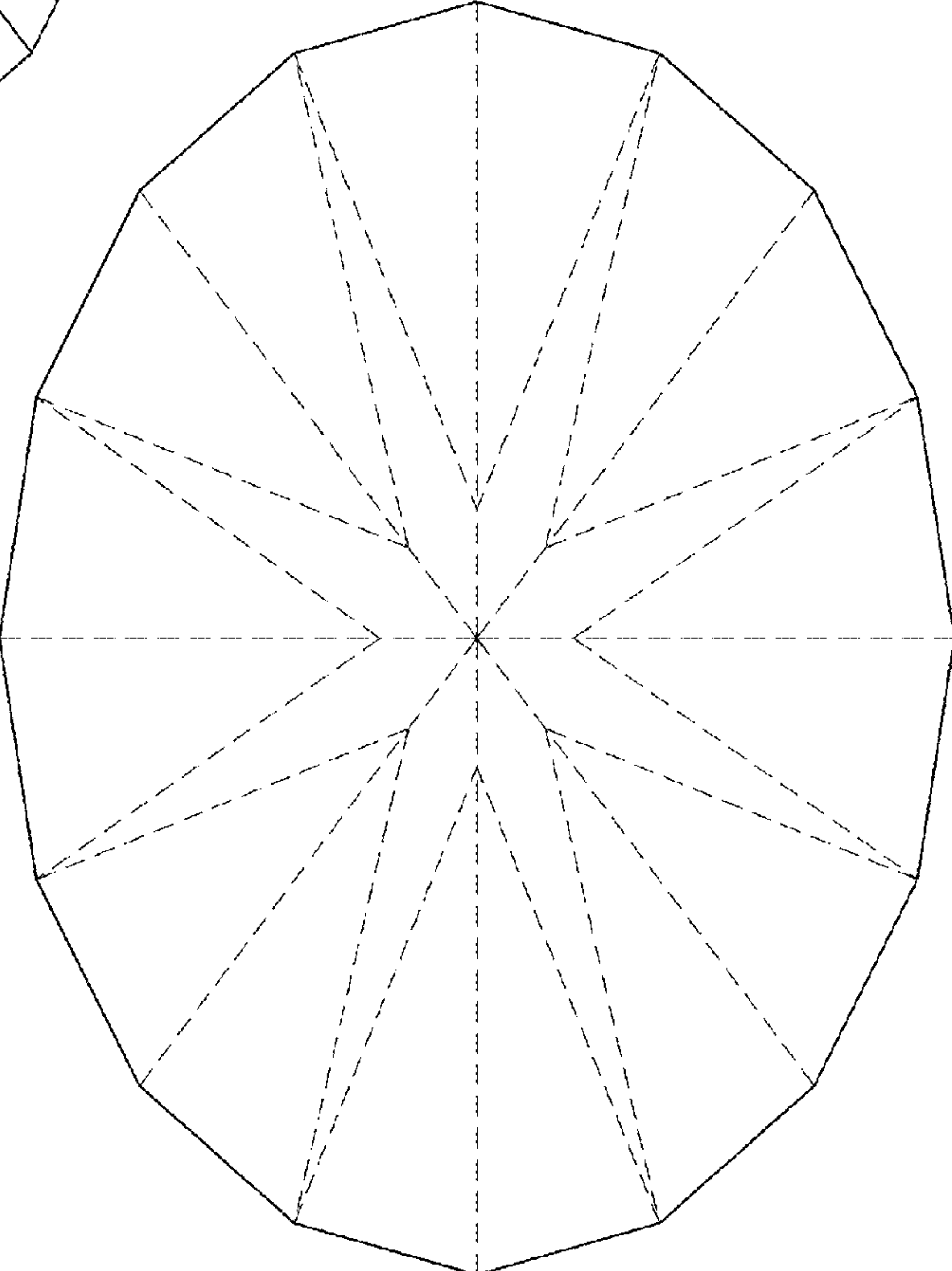


FIG. 10

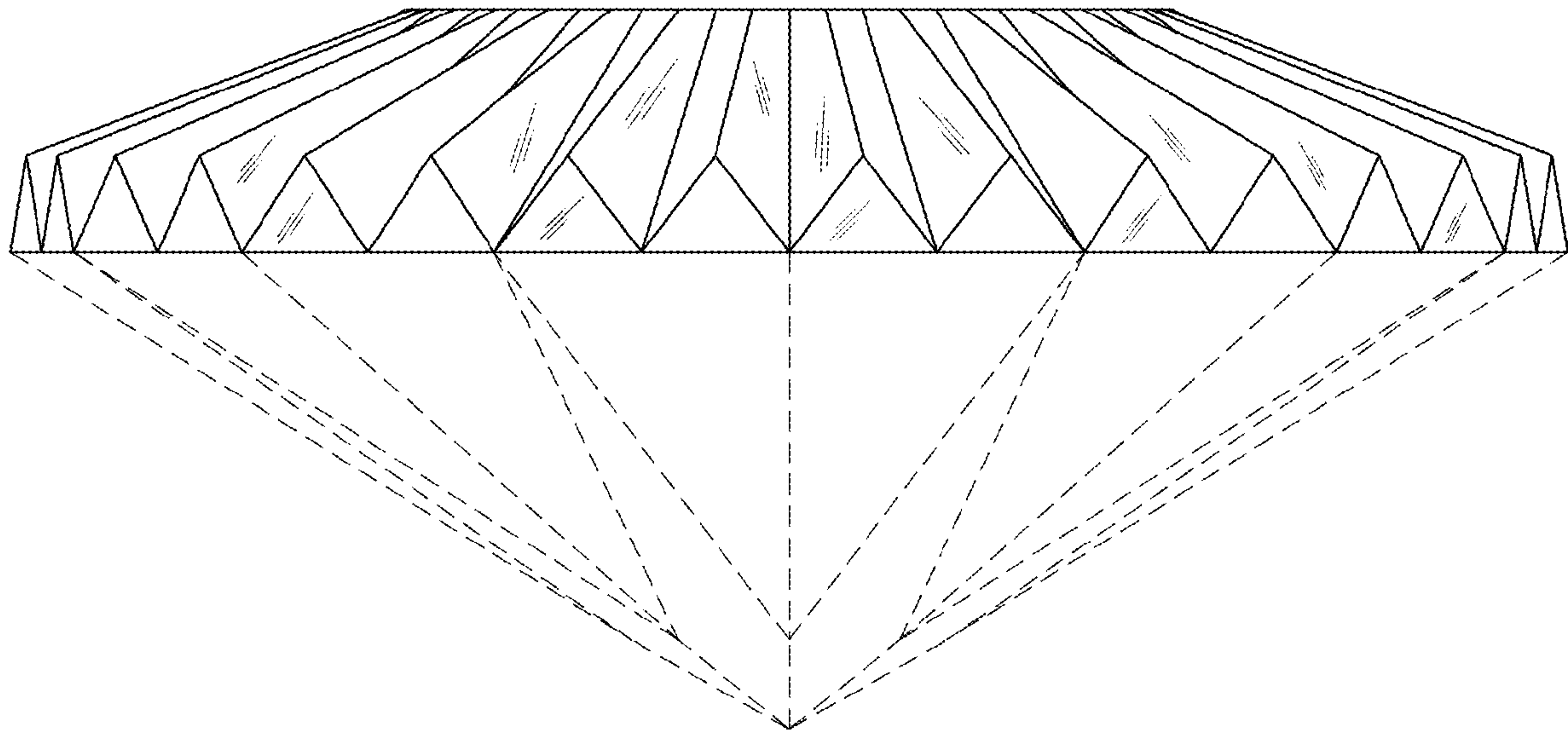


FIG. 11

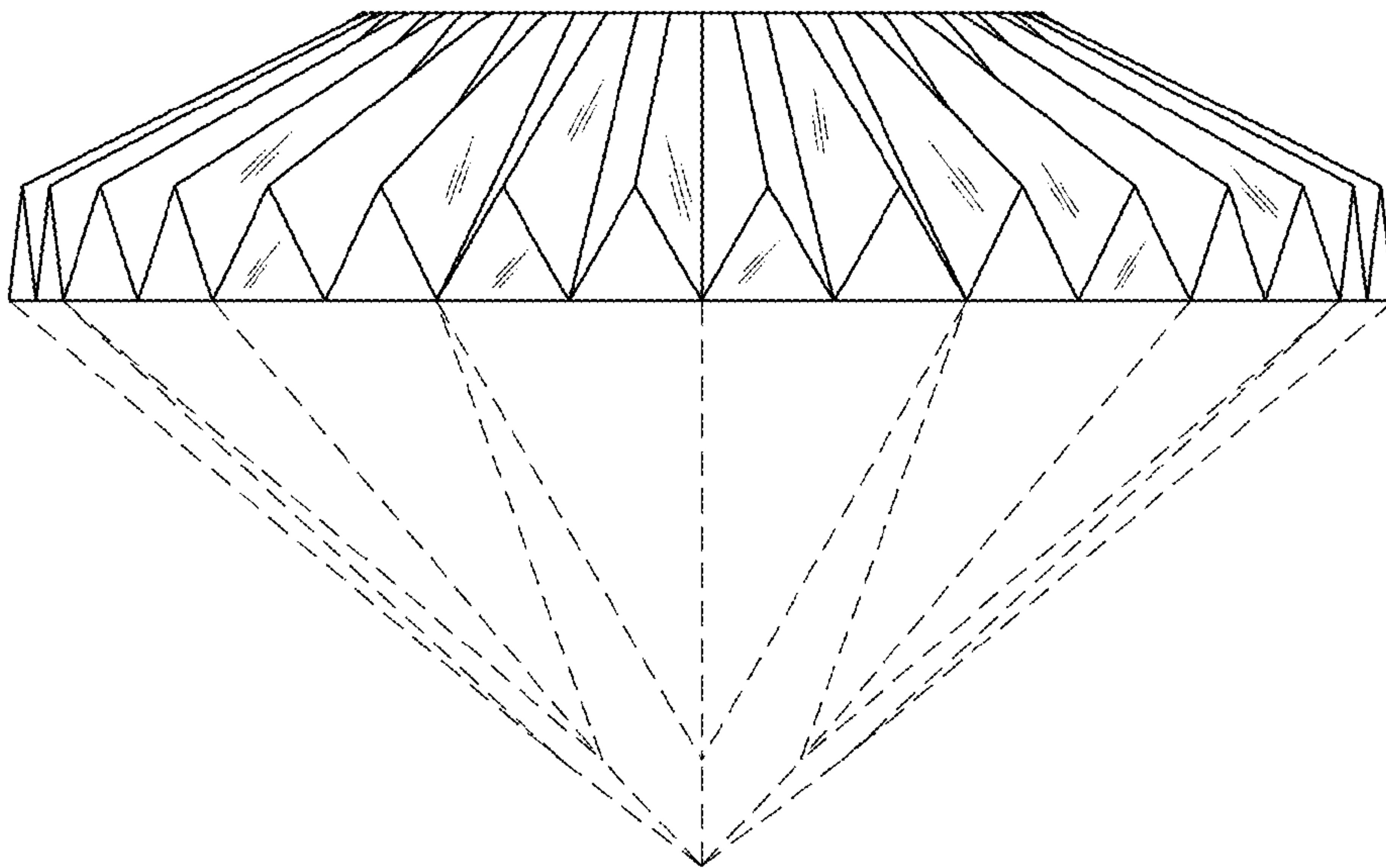


FIG. 12